



US00D863086S

(12) **United States Design Patent**
Burrow et al.

(10) **Patent No.:** **US D863,086 S**

(45) **Date of Patent:** **** Oct. 15, 2019**

(54) **LOAD CELL**

(57) **CLAIM**

(71) Applicant: **Interface, Inc.**, Scottsdale, AZ (US)

The ornamental design for a load cell, as shown and described.

(72) Inventors: **Lawrence J. Burrow**, Scottsdale, AZ (US); **Robert T. Fuge**, Scottsdale, AZ (US); **Brock Palmer**, Scottsdale, AZ (US)

(73) Assignee: **Interface, Inc.**, Scottsdale, AZ (US)

(**) Term: **15 Years**

(21) Appl. No.: **29/657,264**

(22) Filed: **Jul. 20, 2018**

(51) **LOC (12) Cl.** **10-04**

(52) **U.S. Cl.**
USPC **D10/94**

(58) **Field of Classification Search**
USPC D10/94
CPC G01L 3/1457
See application file for complete search history.

(56) **References Cited**

U.S. PATENT DOCUMENTS

- 4,196,337 A * 4/1980 Jewett G01L 3/1457
219/121.35
- D588,034 S * 3/2009 Marmier D10/94
- 8,161,828 B1 * 4/2012 Clegg G01L 3/1457
73/862.08

* cited by examiner

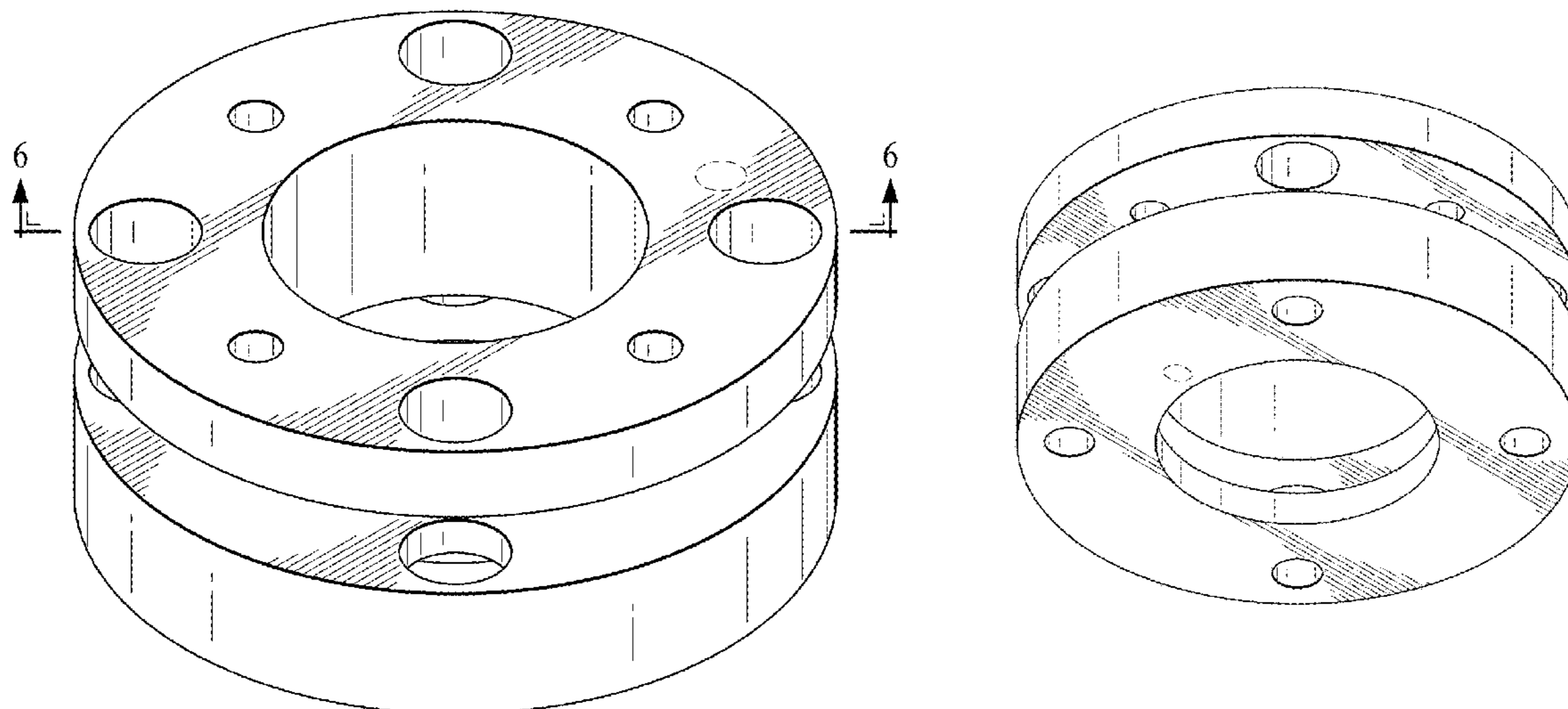
Primary Examiner — Antoine Duval Davis

(74) *Attorney, Agent, or Firm* — Spencer Fane LLP;
Steven J. Laureanti

DESCRIPTION

FIG. 1 is a front perspective view of the present invention; FIG. 2 is a right side view of the present invention, the left side view being a mirror image thereof; FIG. 3 is a top view of the present invention; FIG. 4 is a bottom view of the present invention; FIG. 5 is a bottom perspective view of the present invention; FIG. 6 is a cross section view of the front perspective view of the present invention; FIG. 7 is front perspective view of an alternate embodiment of the present invention; FIG. 8 is a right side view of the alternate embodiment of the present invention, the left side view being a mirror image thereof; FIG. 9 is a top view of the alternate embodiment of the present invention; FIG. 10 is a bottom view of the alternate embodiment of the present invention; FIG. 11 is a bottom perspective view of the alternate embodiment of the present invention; and, FIG. 12 is a cross section view of the front perspective view of the alternate embodiment of the present invention. The broken lines in FIGS. 1, 3, 4, 5, 6, 7, 8, 9, 10, 11, and 12 immediately adjacent the solid lines represent the bounds of the claim, and the broken lines and the area within the broken lines represent unclaimed portions of the present invention. None of the broken lines form a part of the claimed design.

1 Claim, 8 Drawing Sheets



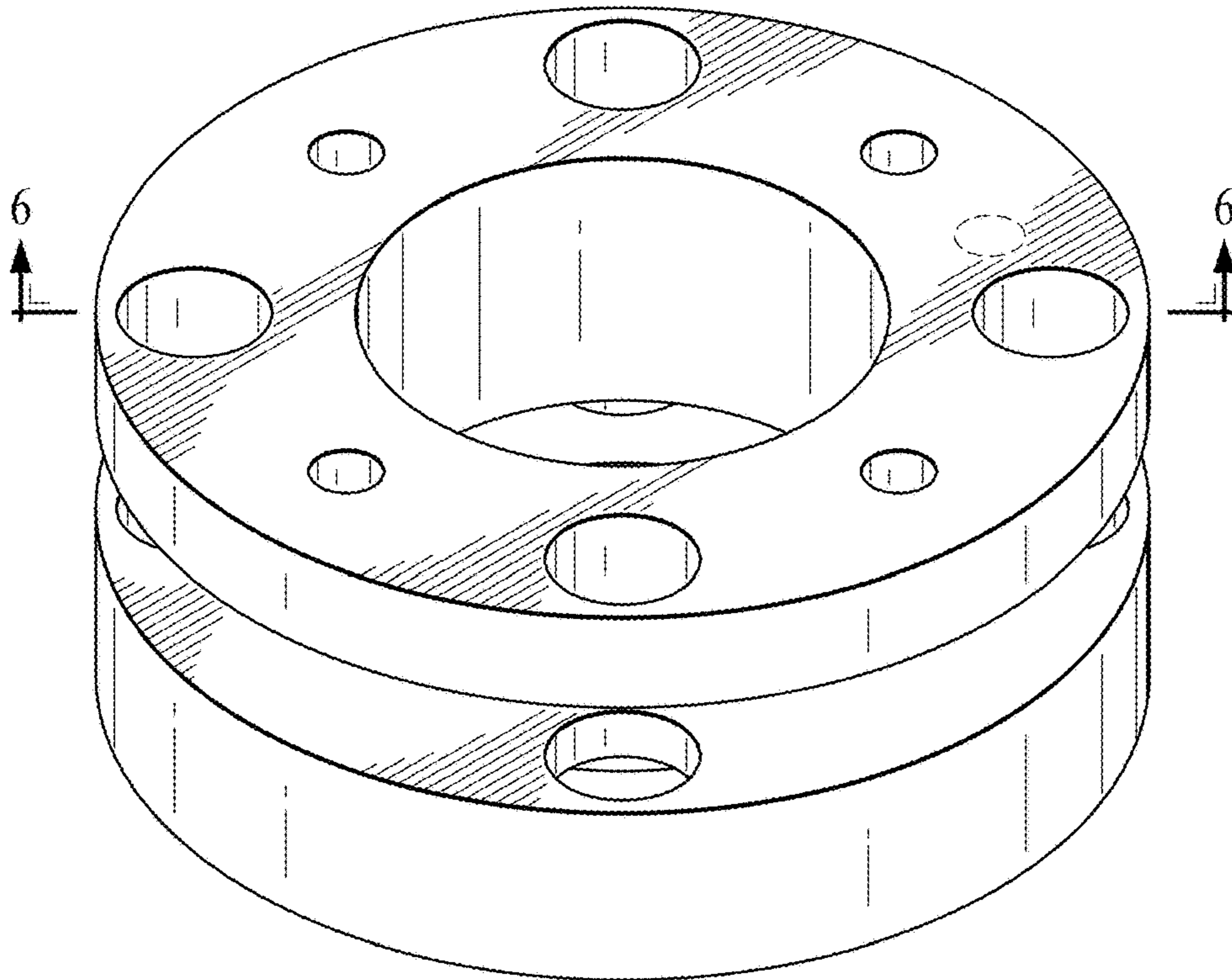


FIG. 1

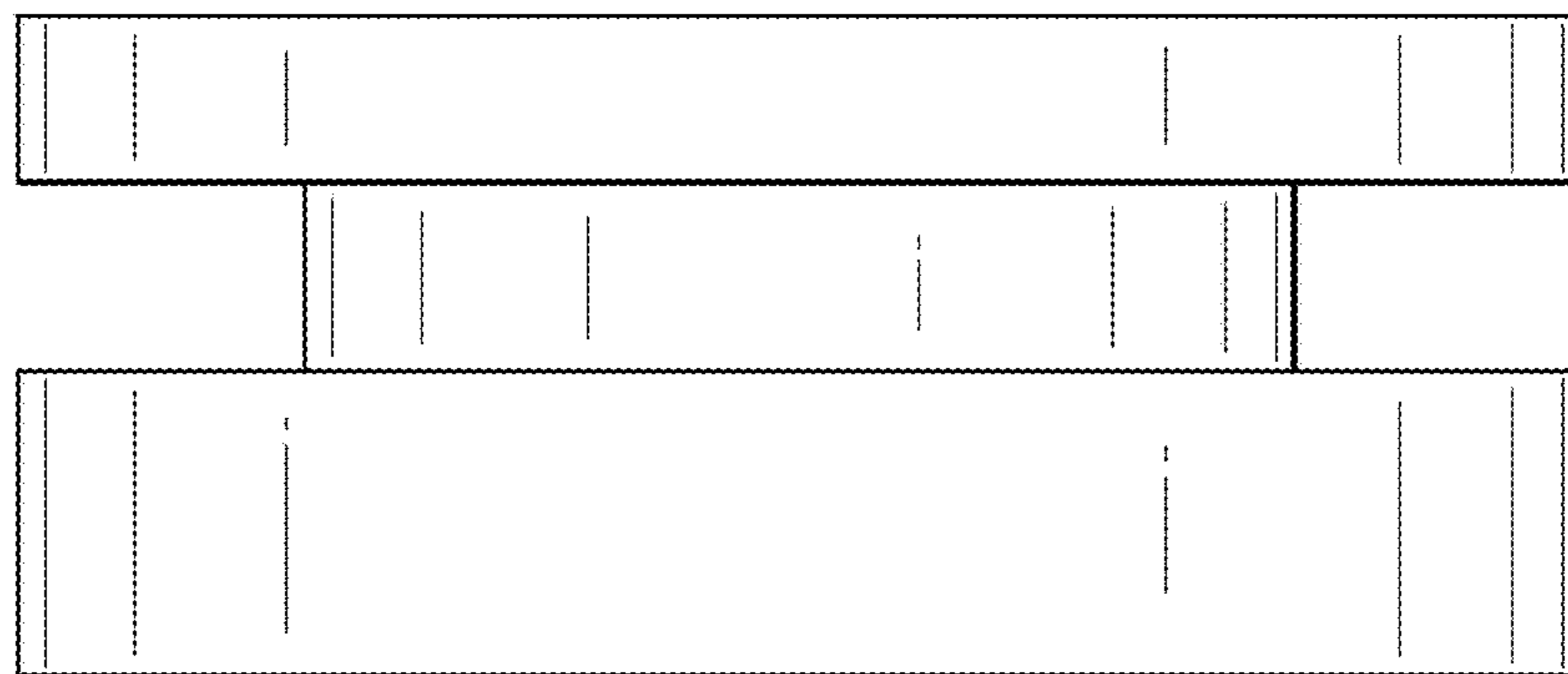


FIG. 2

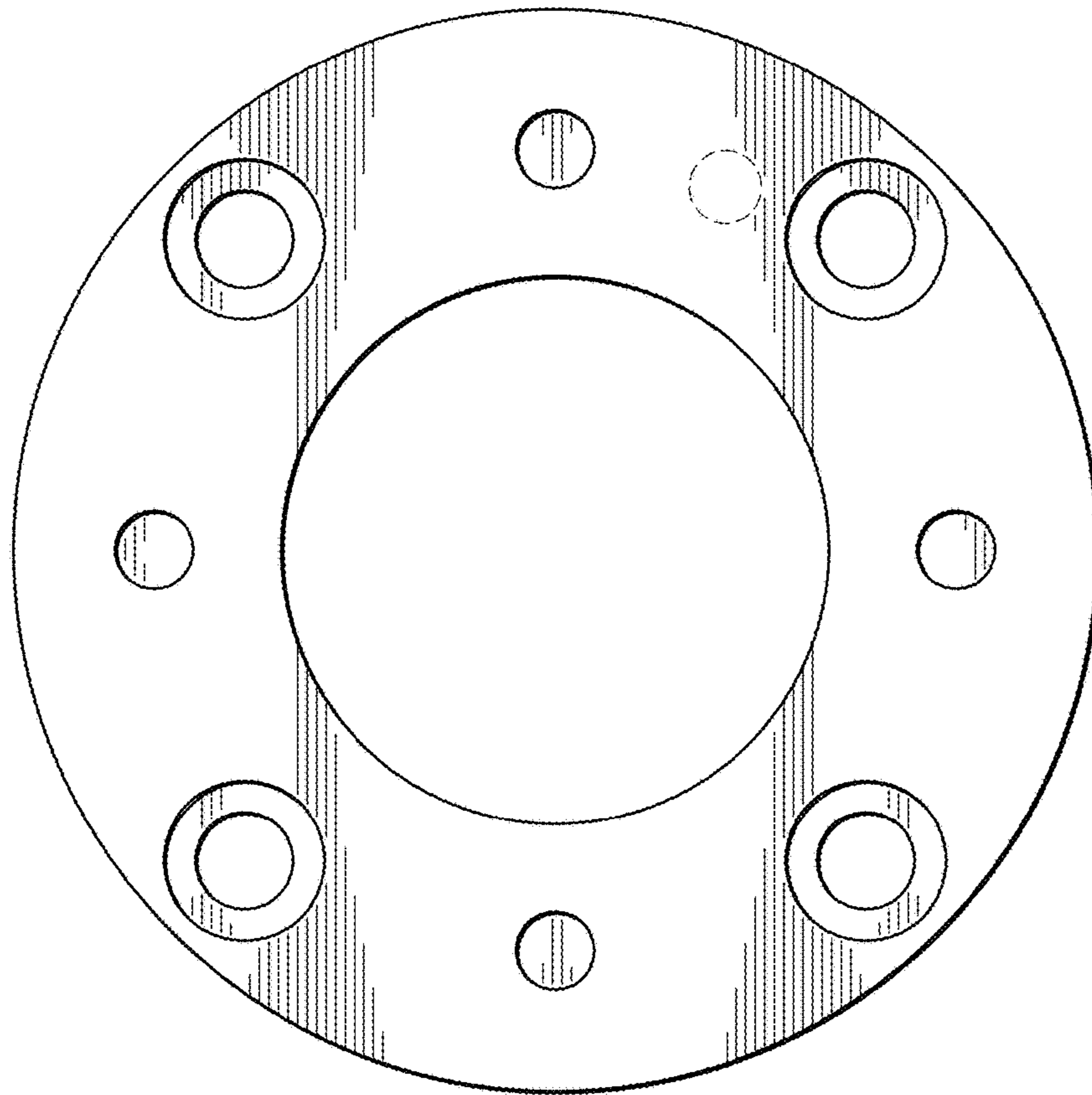


FIG. 3

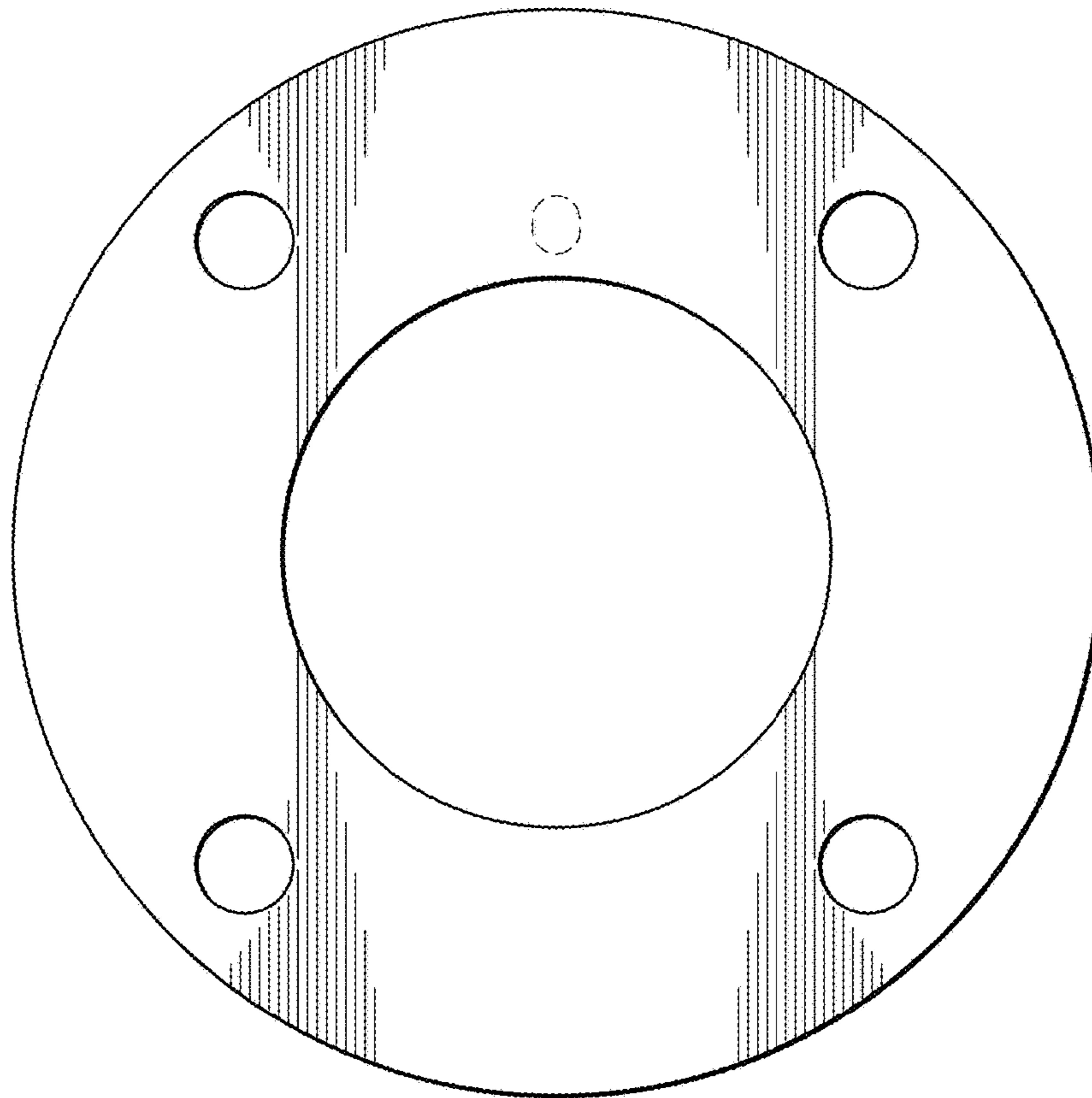


FIG. 4

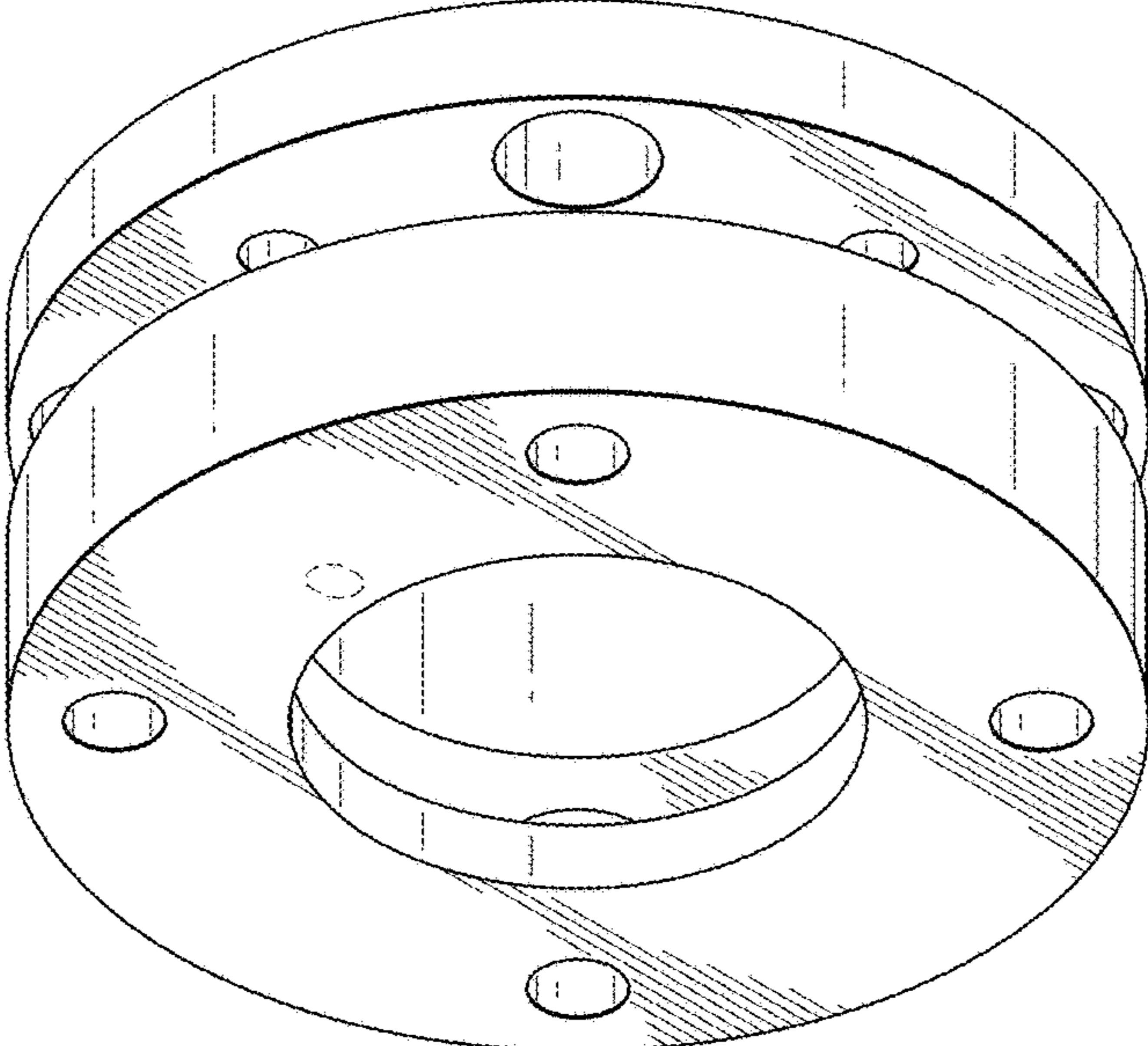


FIG. 5

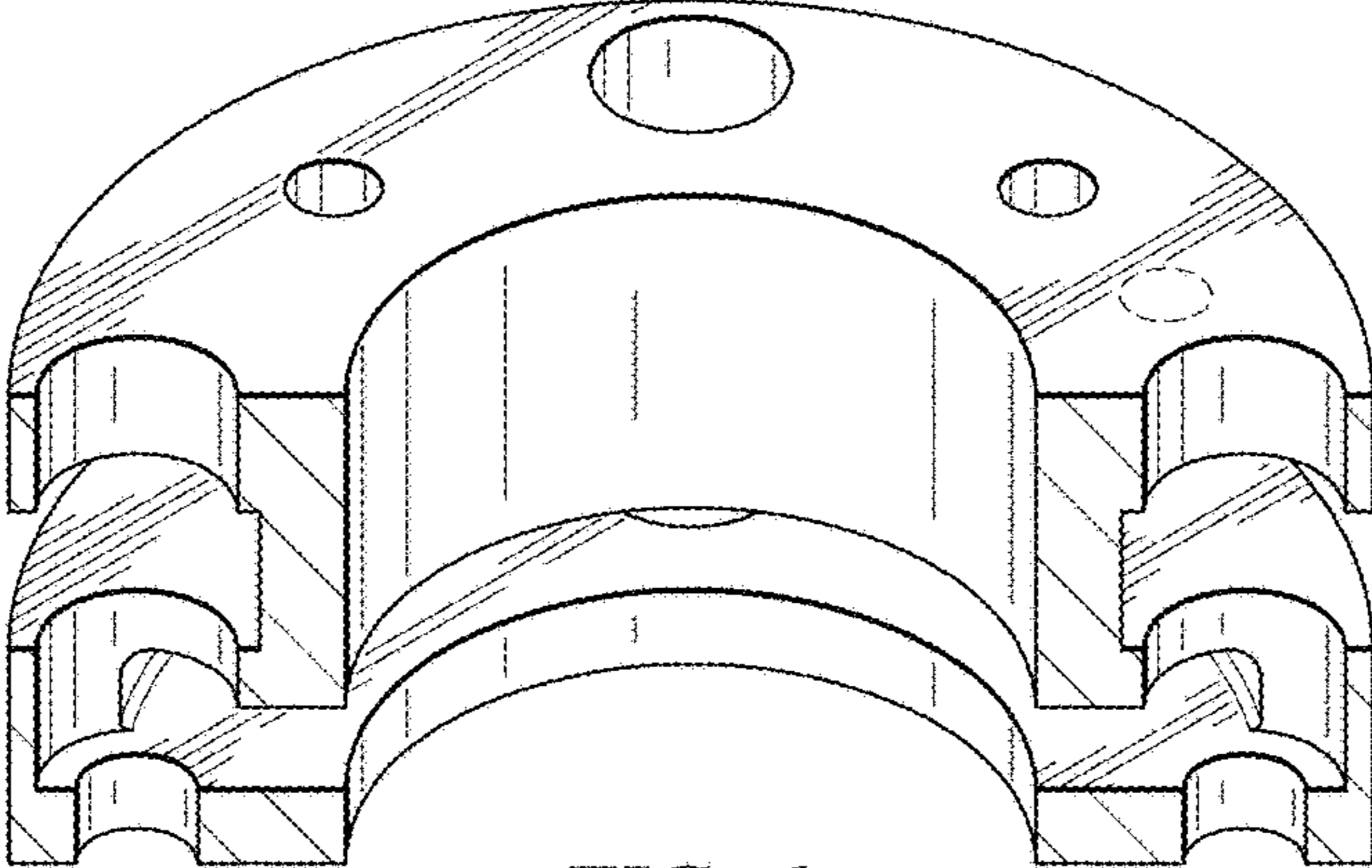


FIG. 6

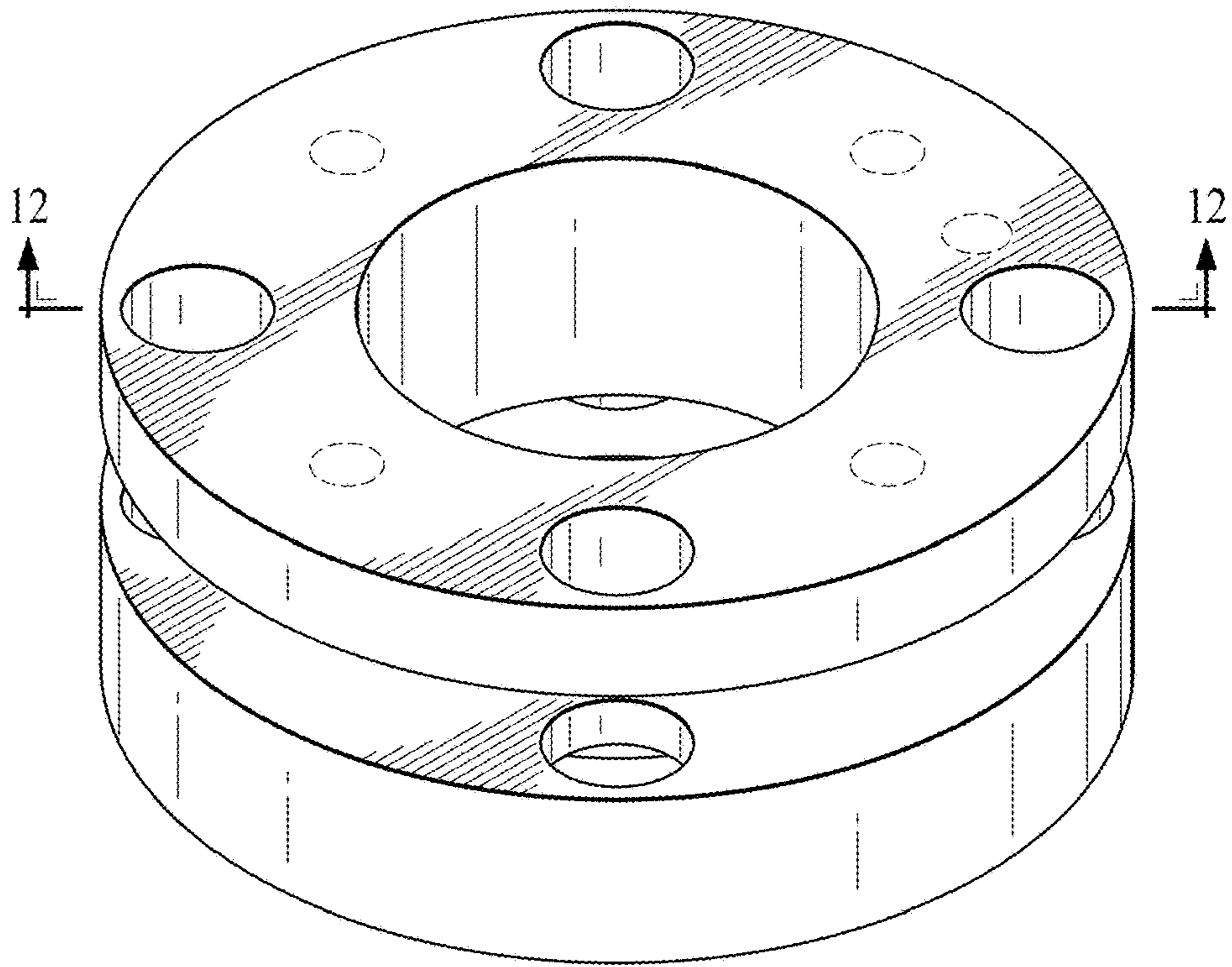


FIG. 7

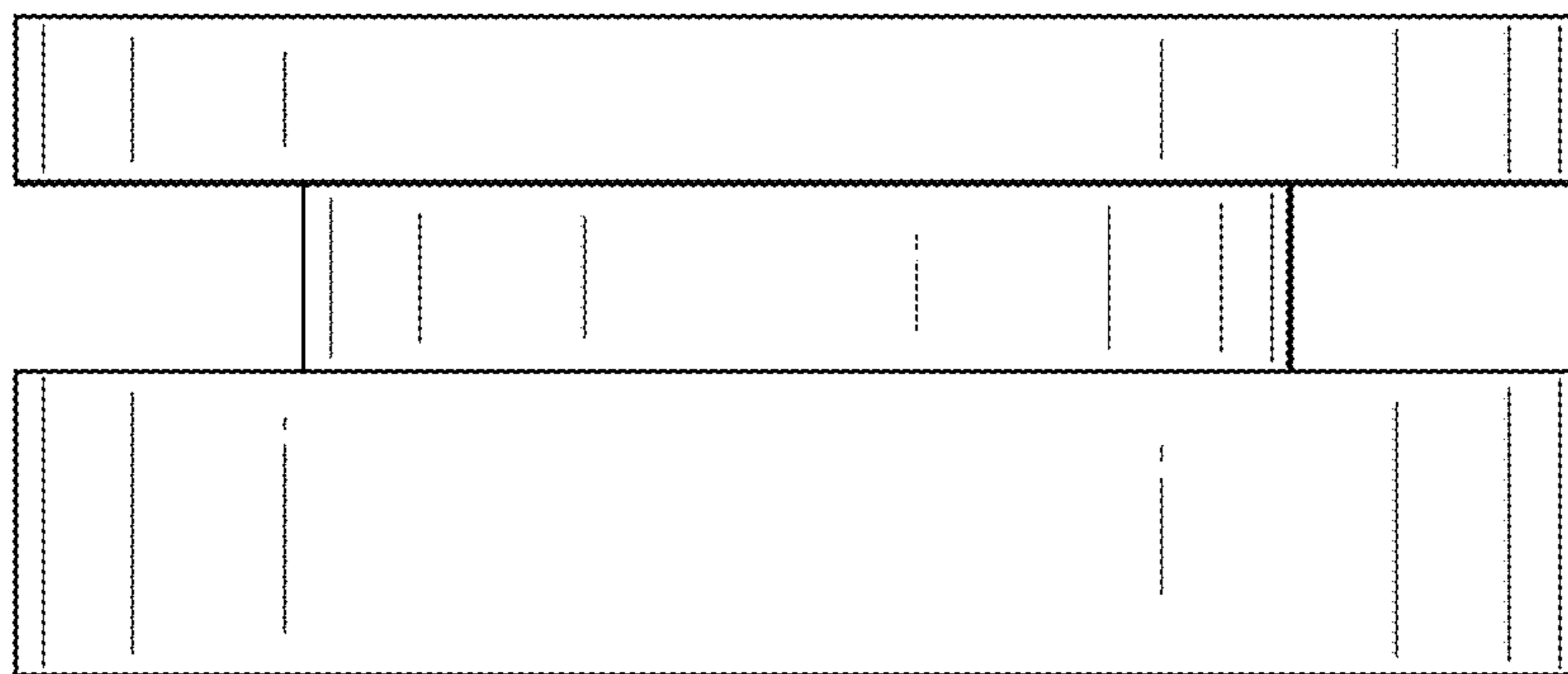


FIG. 8

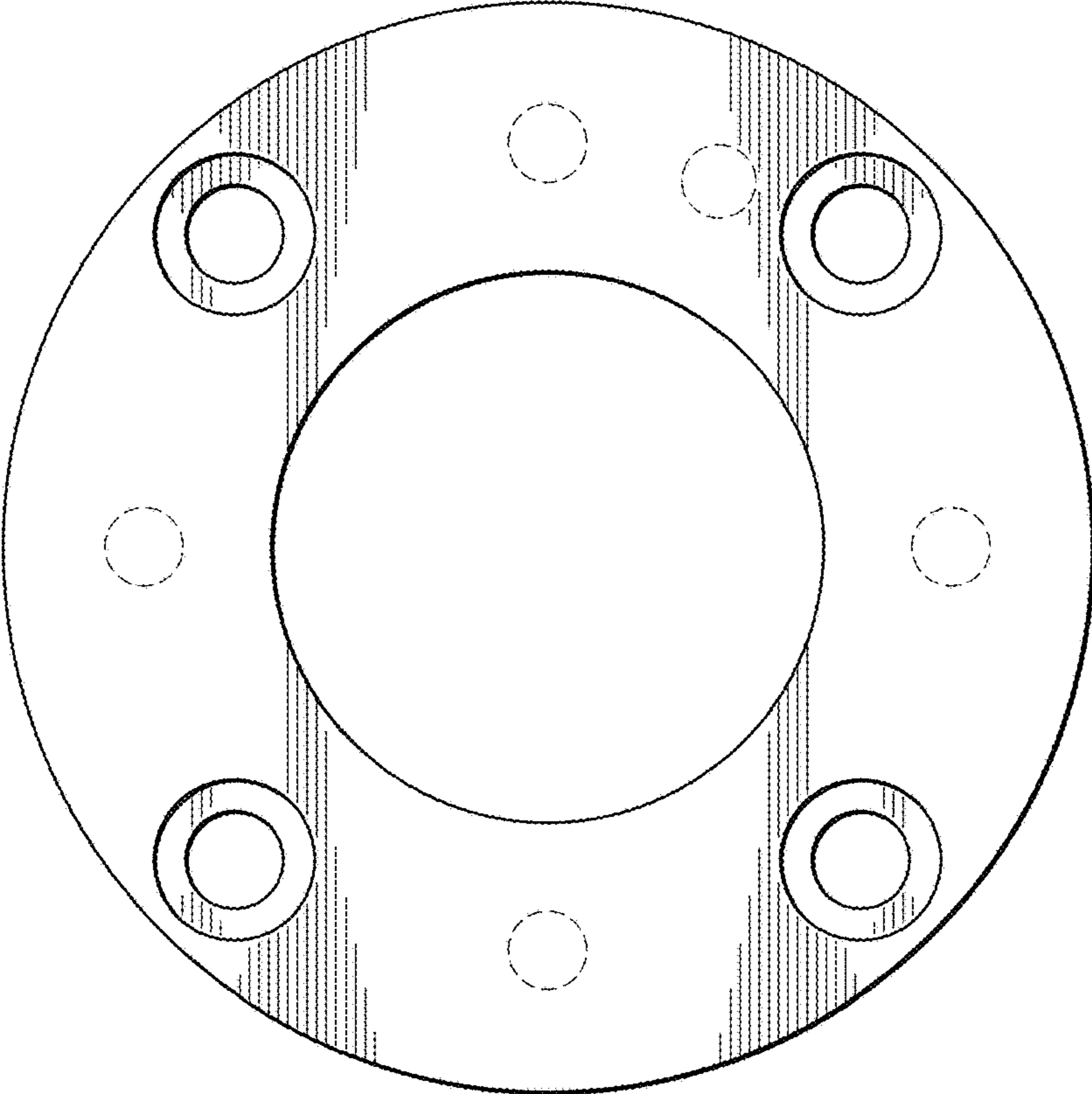


FIG. 9

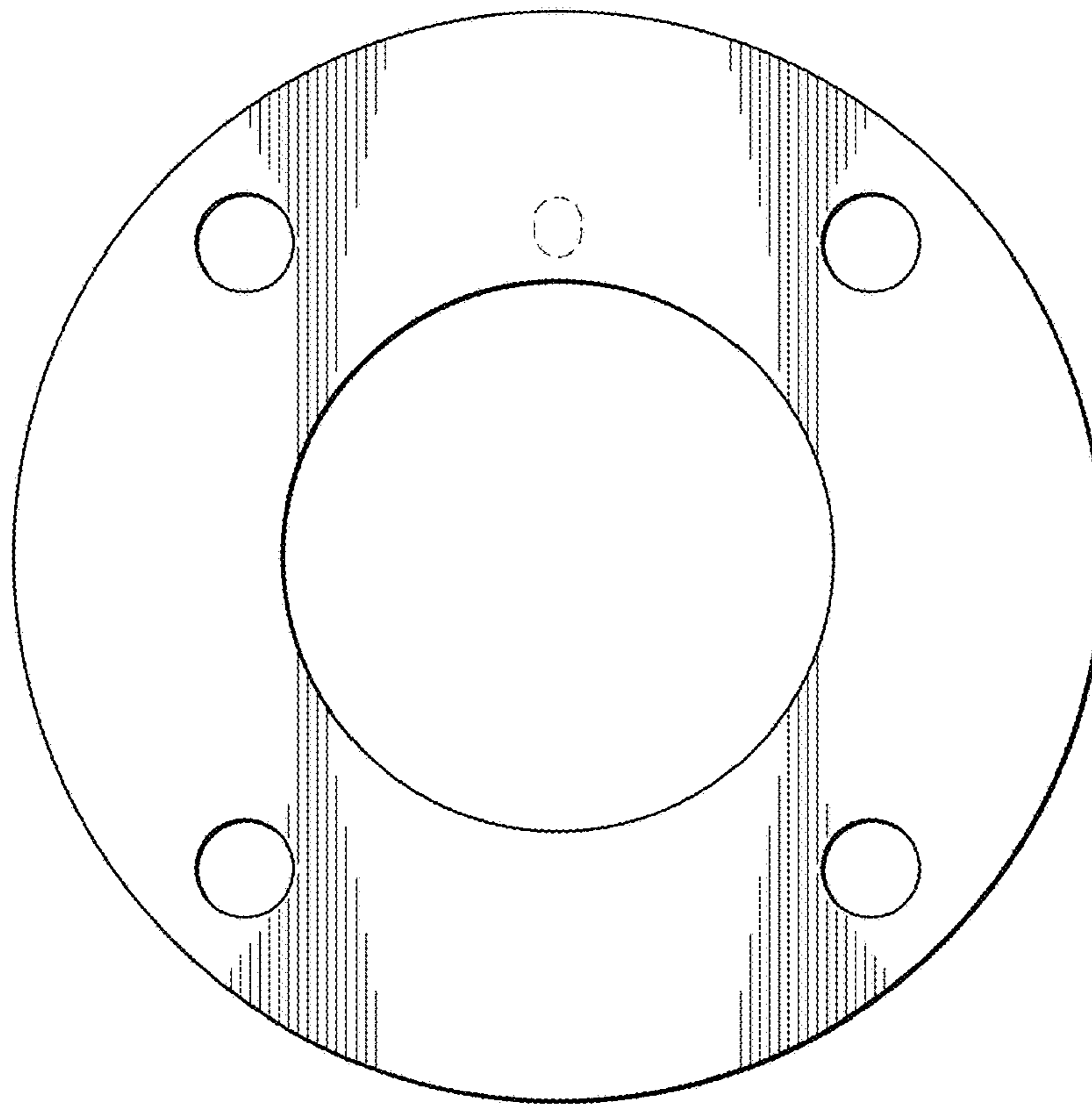


FIG. 10

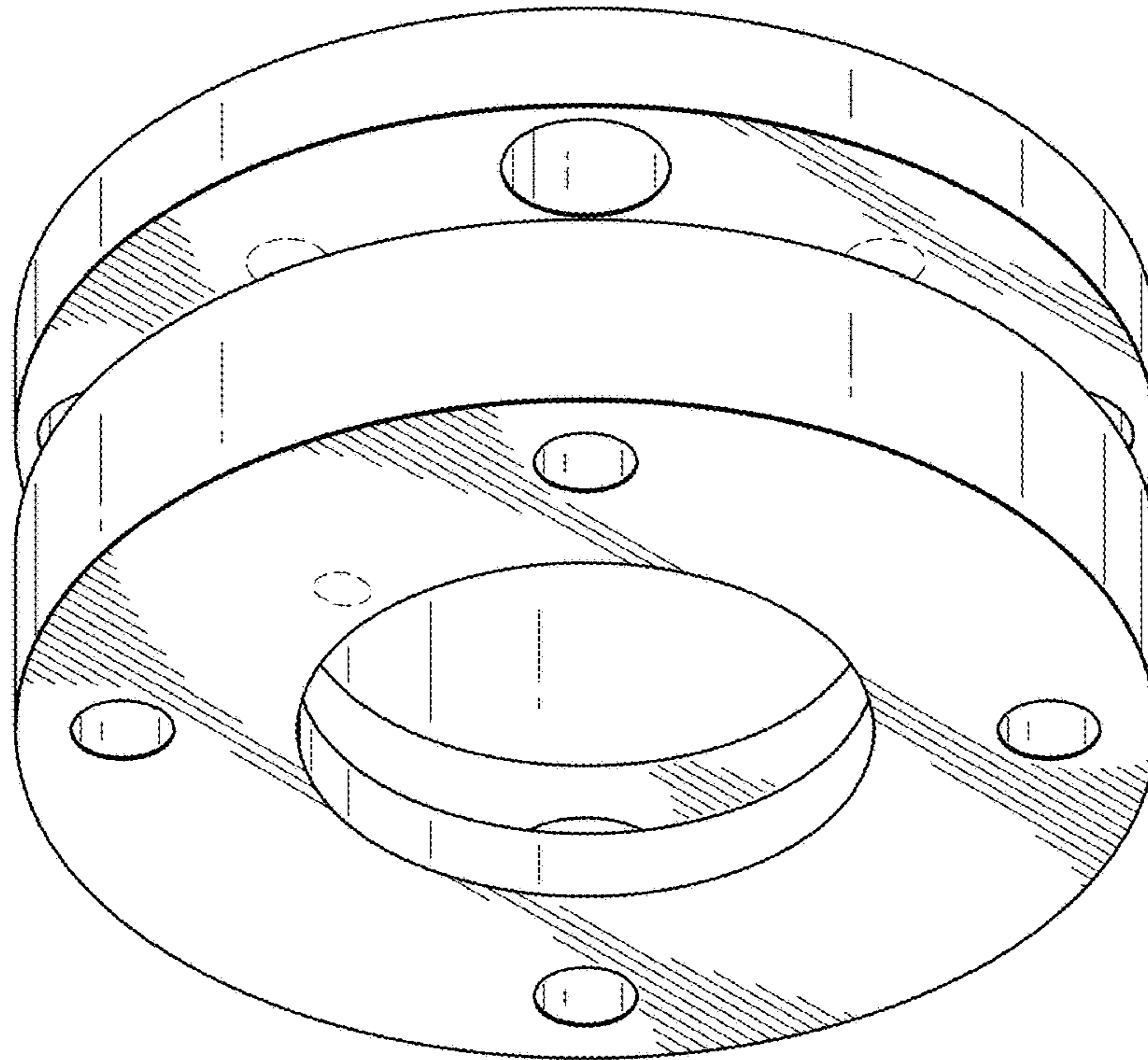


FIG. 11

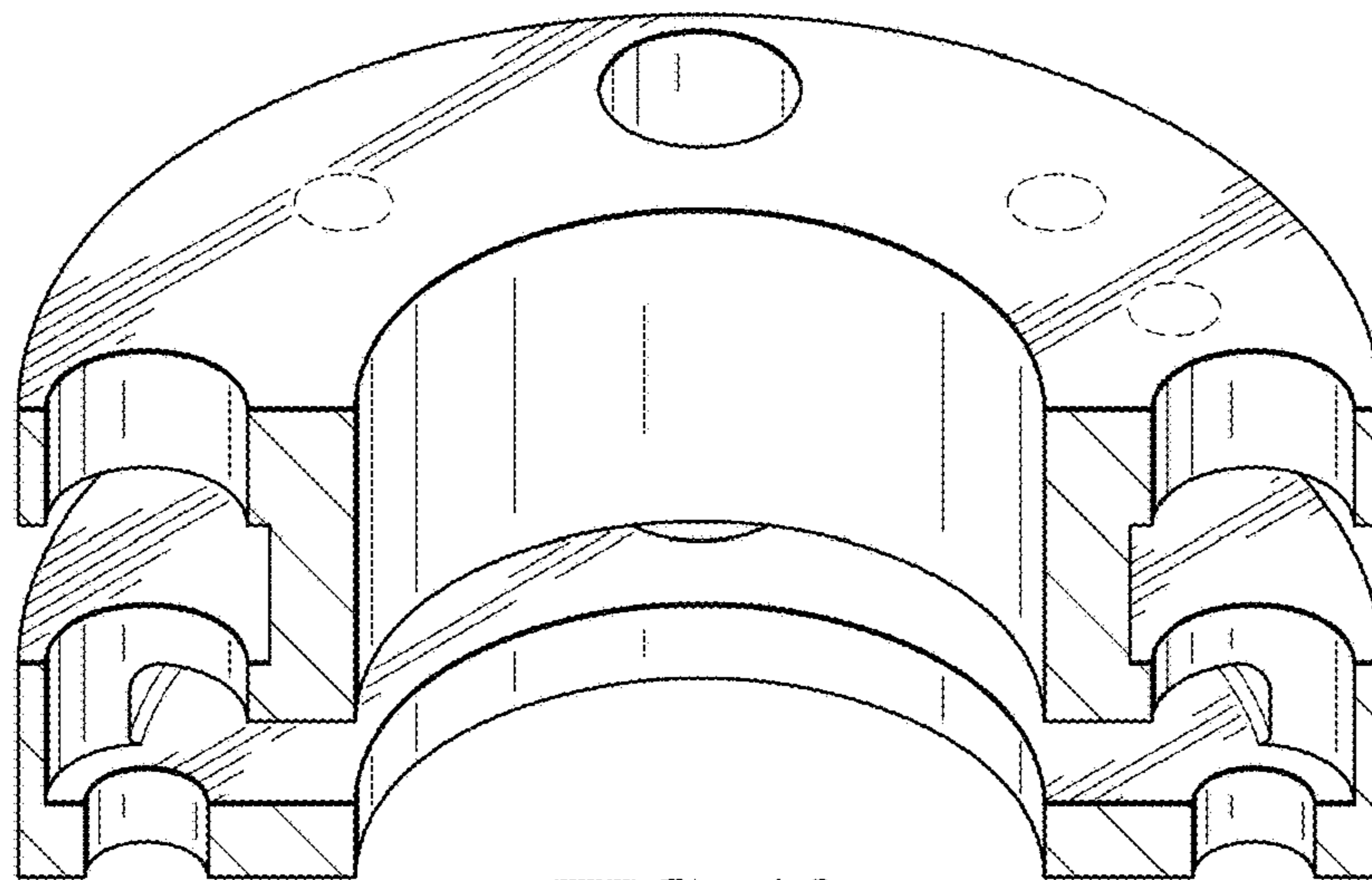


FIG. 12