



US00D863083S

(12) **United States Design Patent**
Tincelin

(10) **Patent No.:** **US D863,083 S**
(45) **Date of Patent:** **** Oct. 15, 2019**

- (54) **DIVING COMPUTER**
- (71) Applicant: **CIRSEA**, Castelnau-le-Lez (FR)
- (72) Inventor: **Christophe Tincelin**, Crest (FR)
- (**) Term: **15 Years**
- (21) Appl. No.: **35/503,338**
- (22) Filed: **Jun. 28, 2017**
- (80) **Hague Agreement Data**
 Int. Filing Date: **Jun. 28, 2017**
 Int. Reg. No.: **DM/096675**
 Int. Reg. Date: **Jun. 28, 2017**
 Int. Reg. Pub. Date: **Jul. 14, 2017**
- (51) **LOC (12) Cl.** **10-04**
- (52) **U.S. Cl.**
 USPC **D10/70**; D10/39
 CPC **G04B 47/00** (2013.01)
- (58) **Field of Classification Search**
 USPC D10/30–39, 65, 70, 97, 98; D11/3;
 D14/341, 344, 347; D24/167, 168
 CPC A44C 5/00–16; G04B 37/00–228; G04B
 45/0069; G04B 47/04; G04B 19/00;
 G04B 19/34; G04B 21/12; G04B 23/12;
 G04B 47/00–068; G01C 17/00; G01C
 21/00–3697
 See application file for complete search history.

- (56) **References Cited**
 U.S. PATENT DOCUMENTS
 D243,318 S * 2/1977 Kurihara D10/32
 4,352,168 A * 9/1982 Anderson B63C 11/32
 341/16
 D278,686 S * 5/1985 Mathez D10/39
 D325,535 S * 4/1992 Yamamoto D10/39
 5,357,488 A * 10/1994 Udo G04B 47/068
 368/11
 D374,808 S * 10/1996 Ungar D8/349
 D402,565 S * 12/1998 Sato D10/32

- D403,246 S * 12/1998 Hanagata D10/30
- D454,506 S * 3/2002 Sato D10/32
- 6,385,134 B1 * 5/2002 Lange G01L 19/16
368/11
- D459,663 S * 7/2002 Miyake D10/31
- 6,519,548 B1 * 2/2003 Kuroda B63C 11/32
128/201.27
- 6,791,903 B2 * 9/2004 Germiquet G04G 21/02
368/11
- 6,842,402 B2 * 1/2005 Germiquet G04G 21/02
368/10
- D508,038 S * 8/2005 Bonadei D10/32
- D508,652 S * 8/2005 Chen D10/32
- D541,179 S * 4/2007 Ahlstrom D10/31
- D564,366 S * 3/2008 Yeh D10/30
- D566,580 S * 4/2008 Giorgio D10/32
- D604,643 S * 11/2009 Ahlstrom D10/31
- D604,644 S * 11/2009 Ahlstrom D10/31
- D606,963 S * 12/2009 Wright D14/167
- D626,017 S * 10/2010 Ahlstrom D10/31
- D640,143 S * 6/2011 Virgili D10/32
- 8,208,670 B2 * 6/2012 Wright H04R 1/028
381/334
- D666,924 S * 9/2012 Ahlstrom D10/32
- D666,925 S * 9/2012 Ahlstrom D10/32

(Continued)

Primary Examiner — Richard E Chilcot

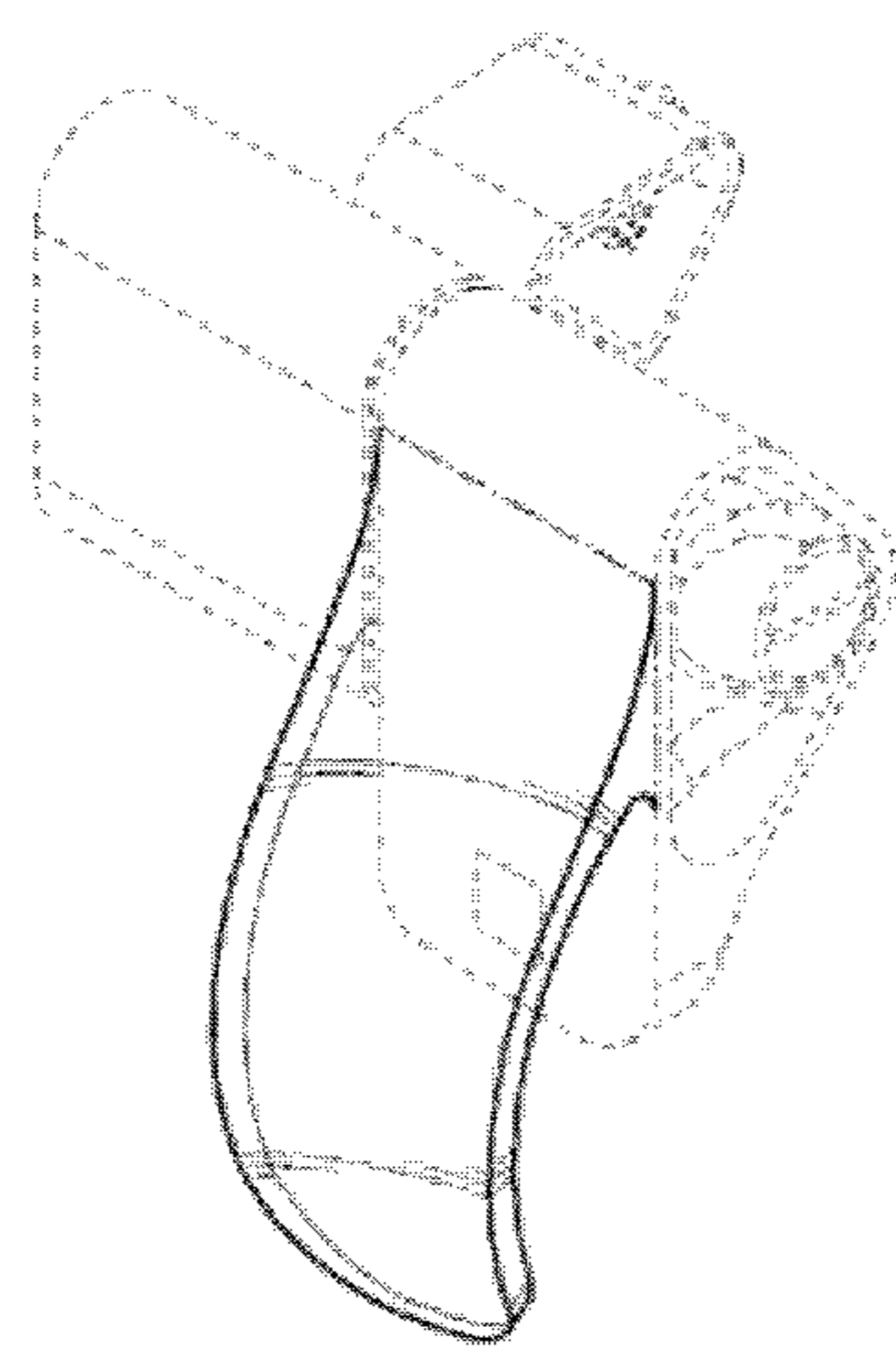
(57) **CLAIM**

The ornamental design for a diving computer, as shown and described.

DESCRIPTION

Figure 2.1 is a front, top perspective view of a diving computer showing the new design;
 Figure 2.2 is a front elevation view thereof;
 Figure 2.3 is a rear elevation view thereof;
 Figure 2.4 is a top plan view thereof;
 Figure 2.5 is a bottom plan view thereof;
 Figure 2.6 is a left side elevation view thereof; and,
 Figure 2.7 is a right side elevation view thereof.
 The broken lines depict portions of the diving computer that form no part of the claimed design.

1 Claim, 7 Drawing Sheets



(56)

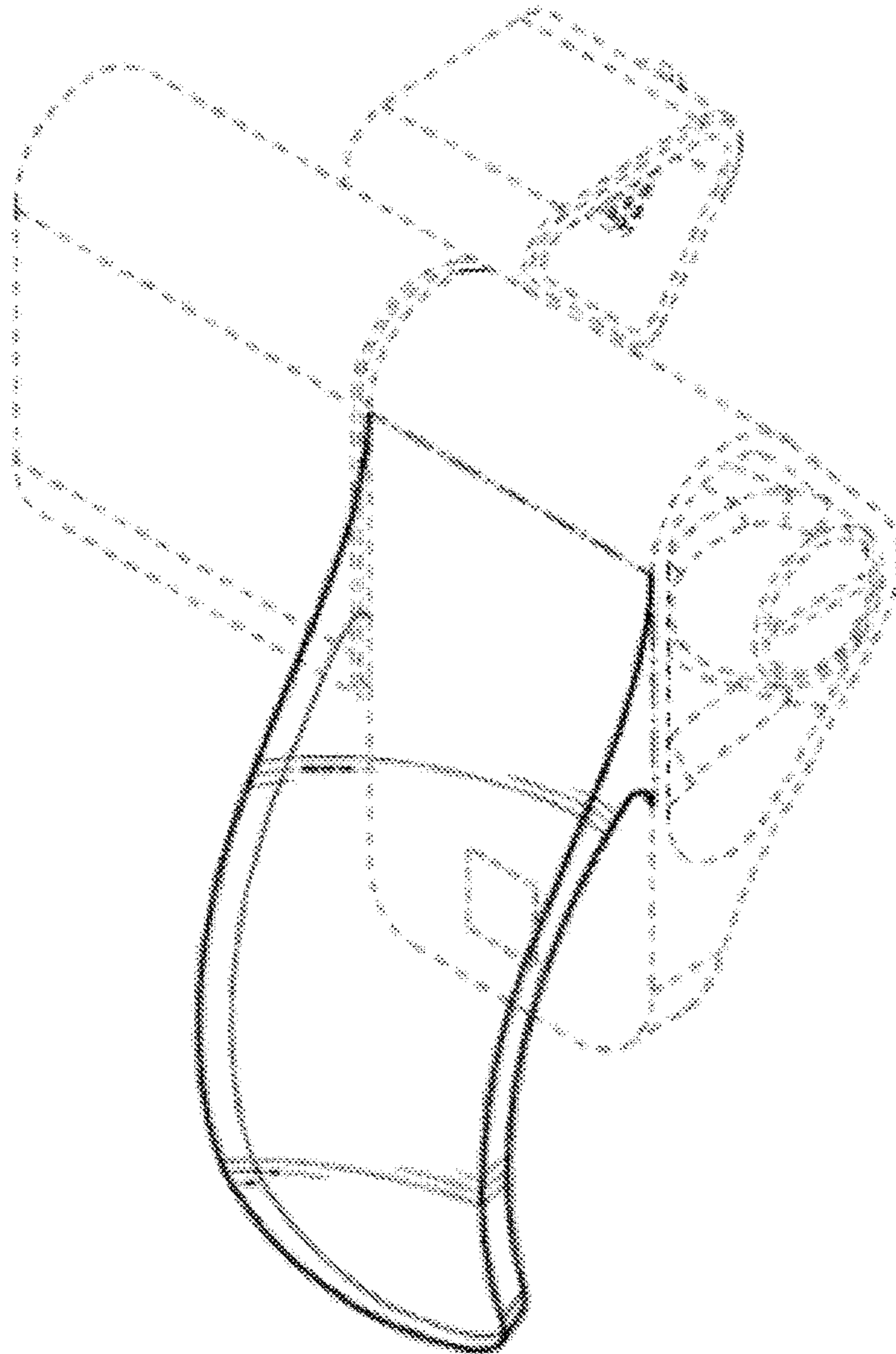
References Cited

U.S. PATENT DOCUMENTS

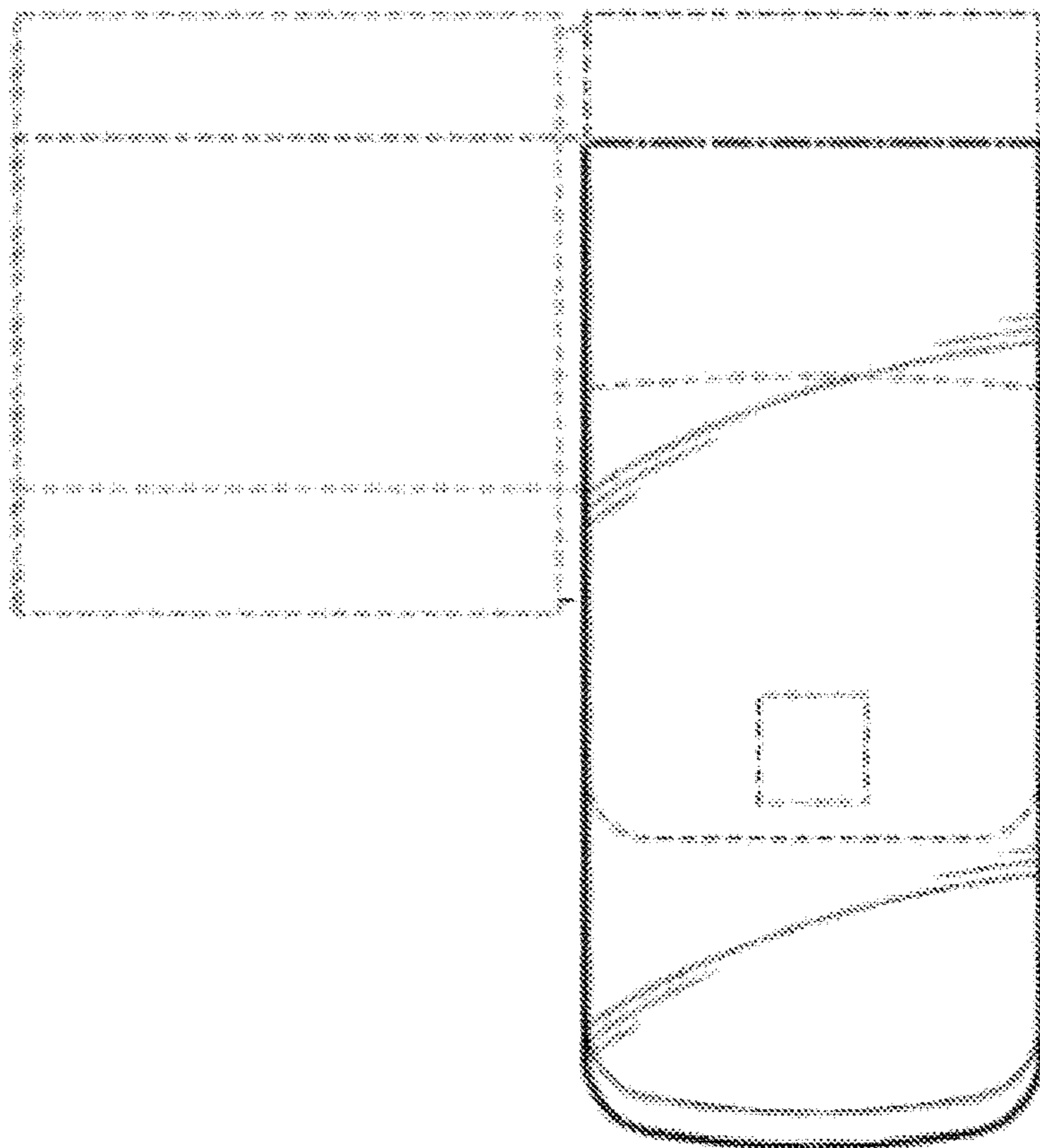
D721,701 S * 1/2015 Al-Nasser D14/344
D732,409 S * 6/2015 Bornemann D10/39

* cited by examiner

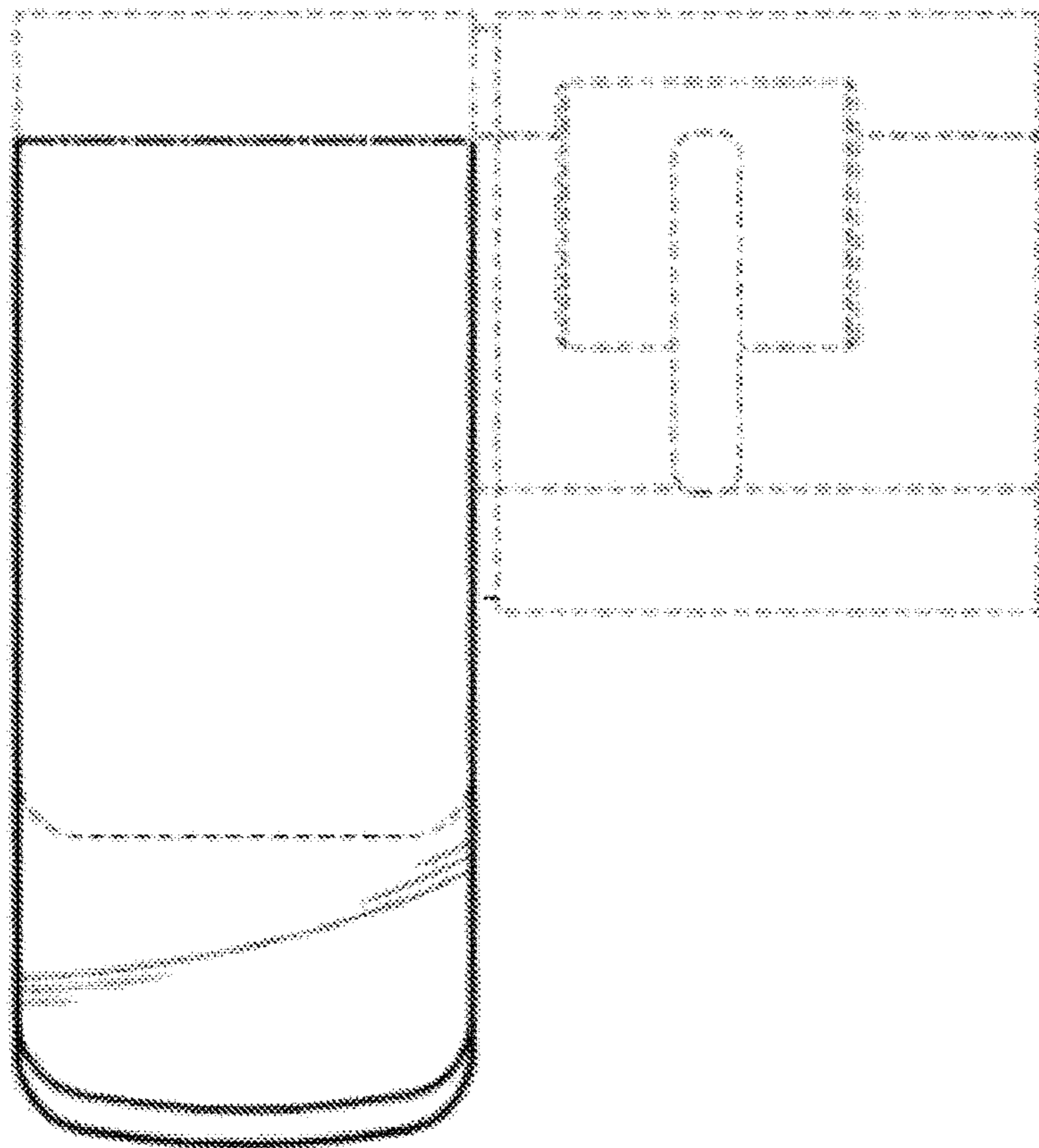
2.1



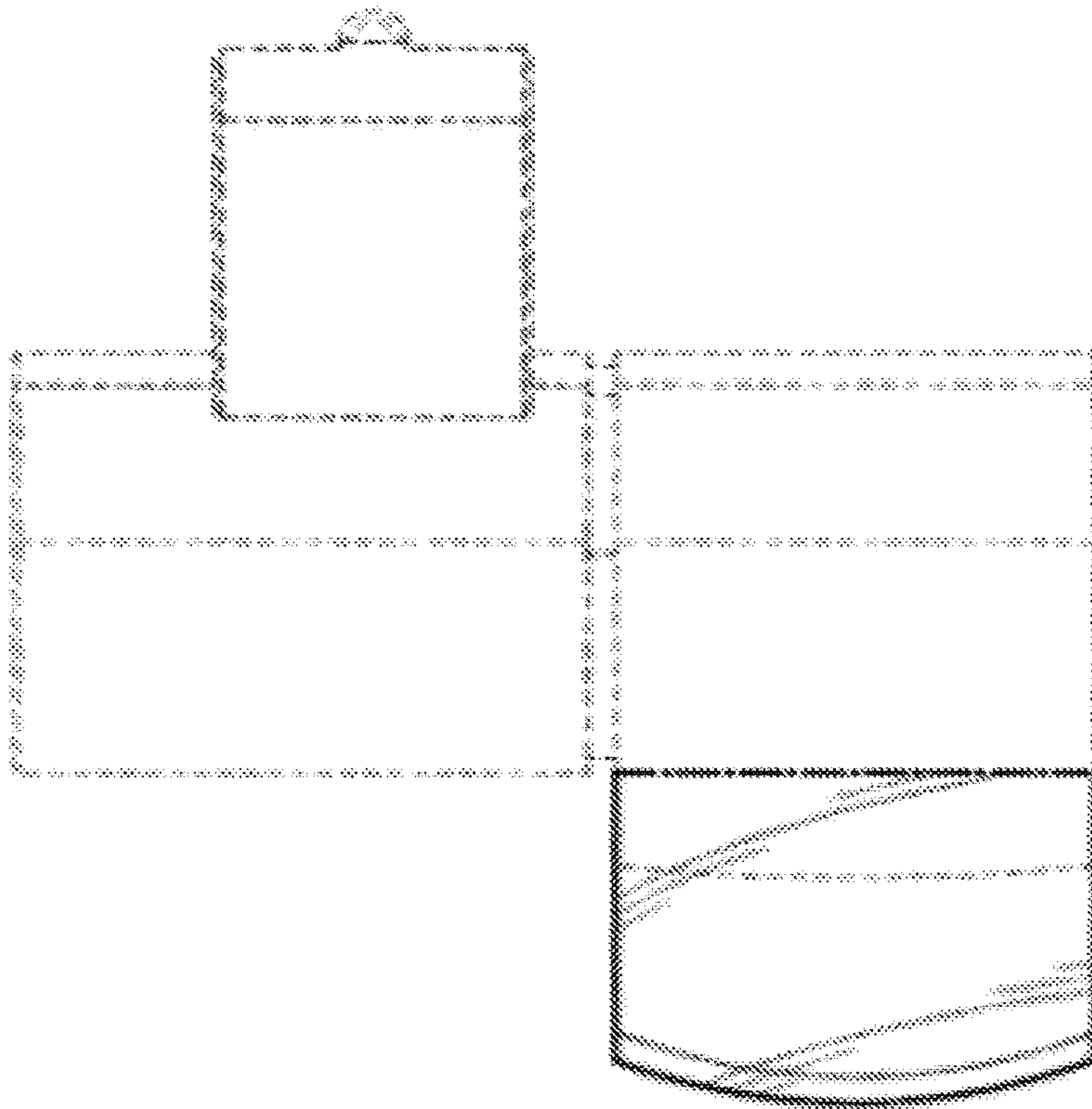
2.2



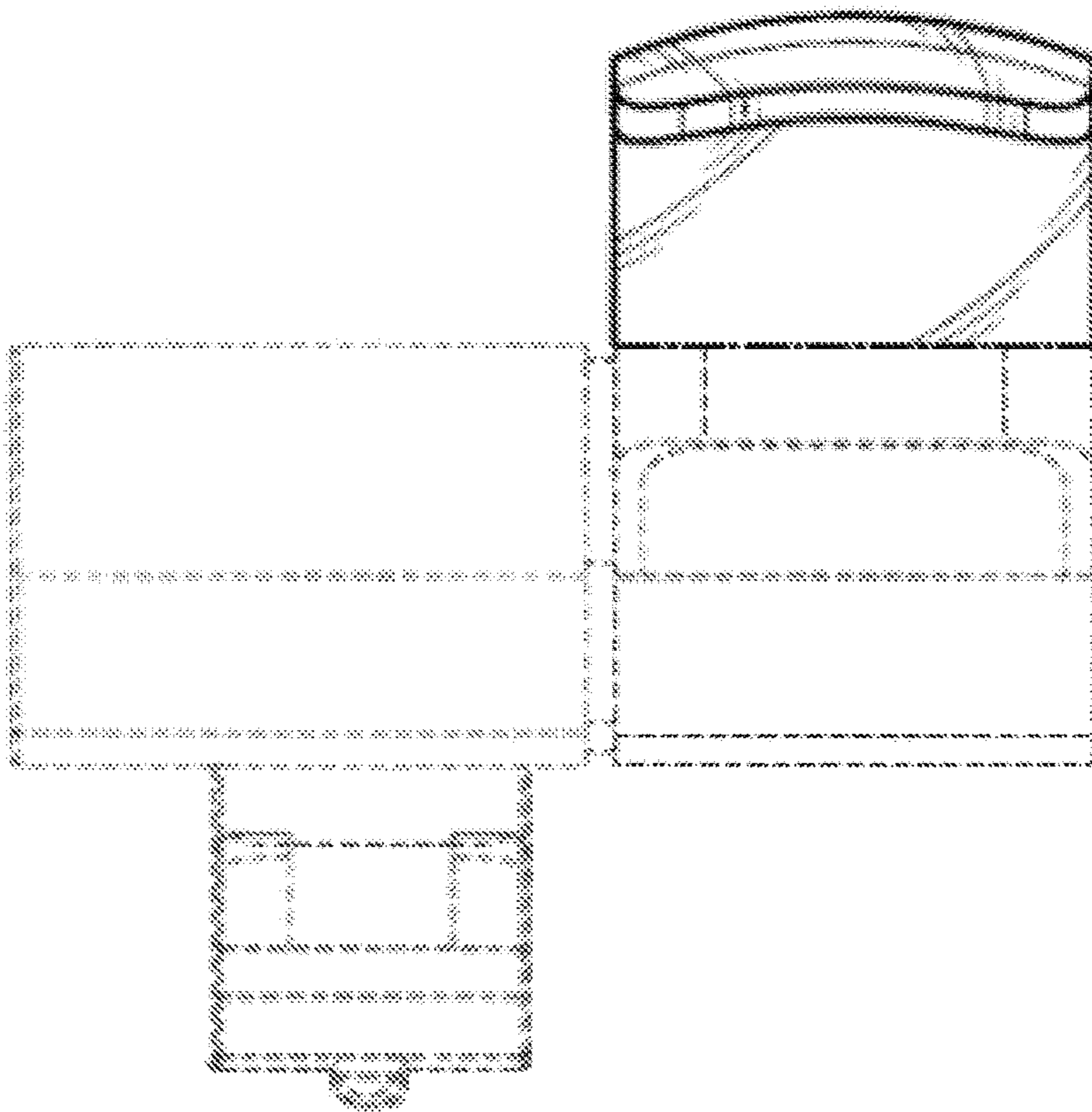
2.3



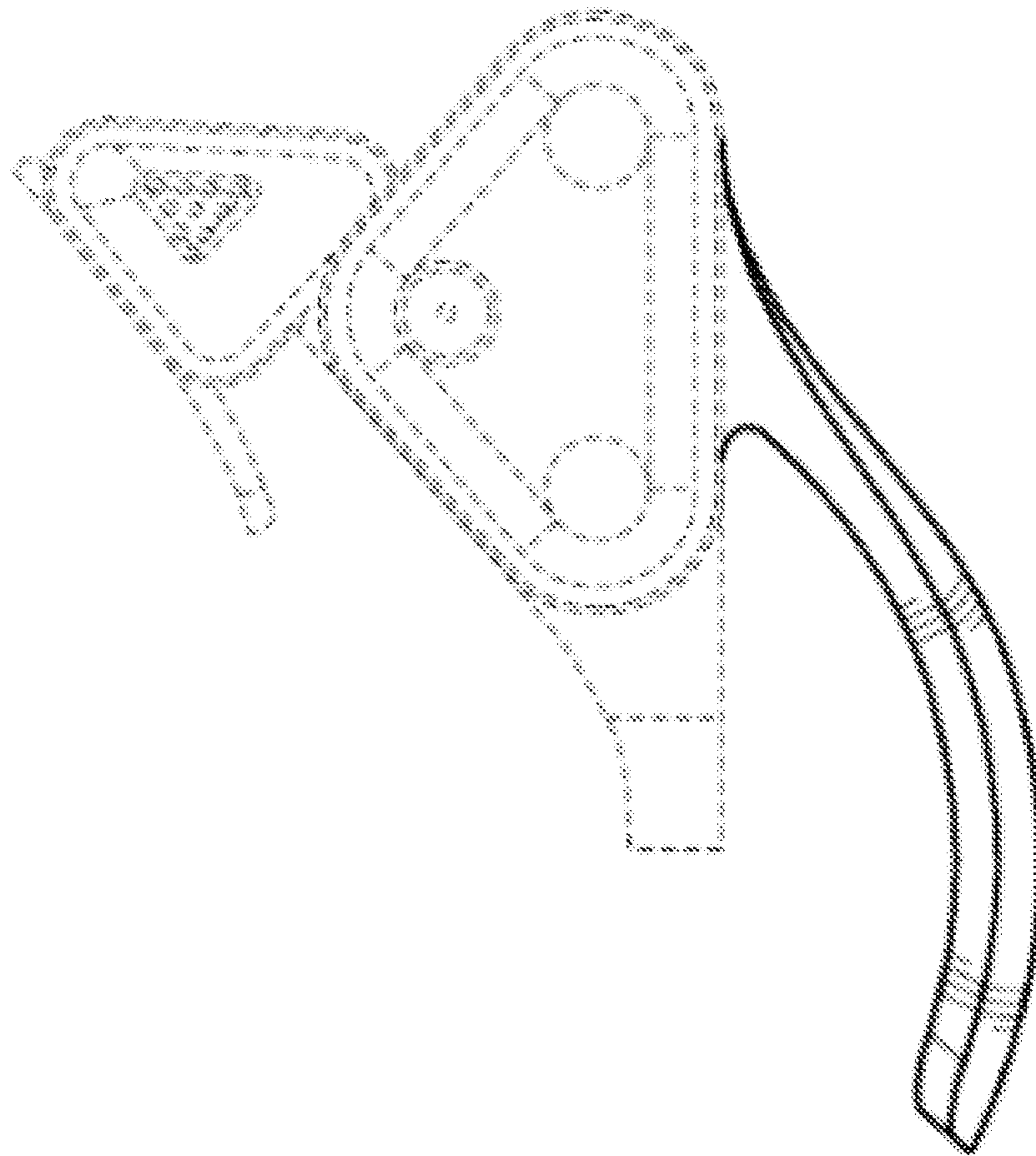
2.4



2.5



2.6



2.7

