



US00D863082S

(12) **United States Design Patent**
Cobb et al.

(10) **Patent No.:** **US D863,082 S**
(45) **Date of Patent:** **** Oct. 15, 2019**

- (54) **MEASURING WHEEL**
- (71) Applicant: **APEX BRANDS, INC.**, Apex, NC (US)
- (72) Inventors: **Ian Michael Cobb**, Wixom, MI (US);
David Jonathan Byron, Southfield, MI (US)
- (73) Assignee: **APEX BRANDS, INC.**, Apex, NC (US)

D467,189 S	12/2002	Stoneberg
D486,406 S	2/2004	Critelli et al.
D491,081 S	6/2004	Olson et al.
D498,153 S	11/2004	Stevermer
D499,033 S	11/2004	Stevermer
D500,692 S	1/2005	Olson et al.
D538,686 S	3/2007	McGinn et al.
D571,238 S	6/2008	Stervermer
8,522,448 B2	9/2013	Lai
D726,040 S	4/2015	Wojciechowski et al.
D726,041 S	4/2015	Wojciechowski et al.
10,119,800 B2 *	11/2018	Wang G01B 3/12

* cited by examiner

(**) Term: **15 Years**

Primary Examiner — Antoine D Davis

(21) Appl. No.: **29/663,696**

(74) *Attorney, Agent, or Firm* — Burr Forman McNair

(22) Filed: **Sep. 18, 2018**

(57) **CLAIM**

Related U.S. Application Data

The ornamental design for a measuring wheel, as shown and described.

(62) Division of application No. 29/589,221, filed on Dec. 29, 2016, now Pat. No. Des. 831,517.

(51) **LOC (12) Cl.** **10-04**

(52) **U.S. Cl.**
USPC **D10/70**

(58) **Field of Classification Search**
USPC D10/70, 74
CPC G01B 3/12
See application file for complete search history.

DESCRIPTION

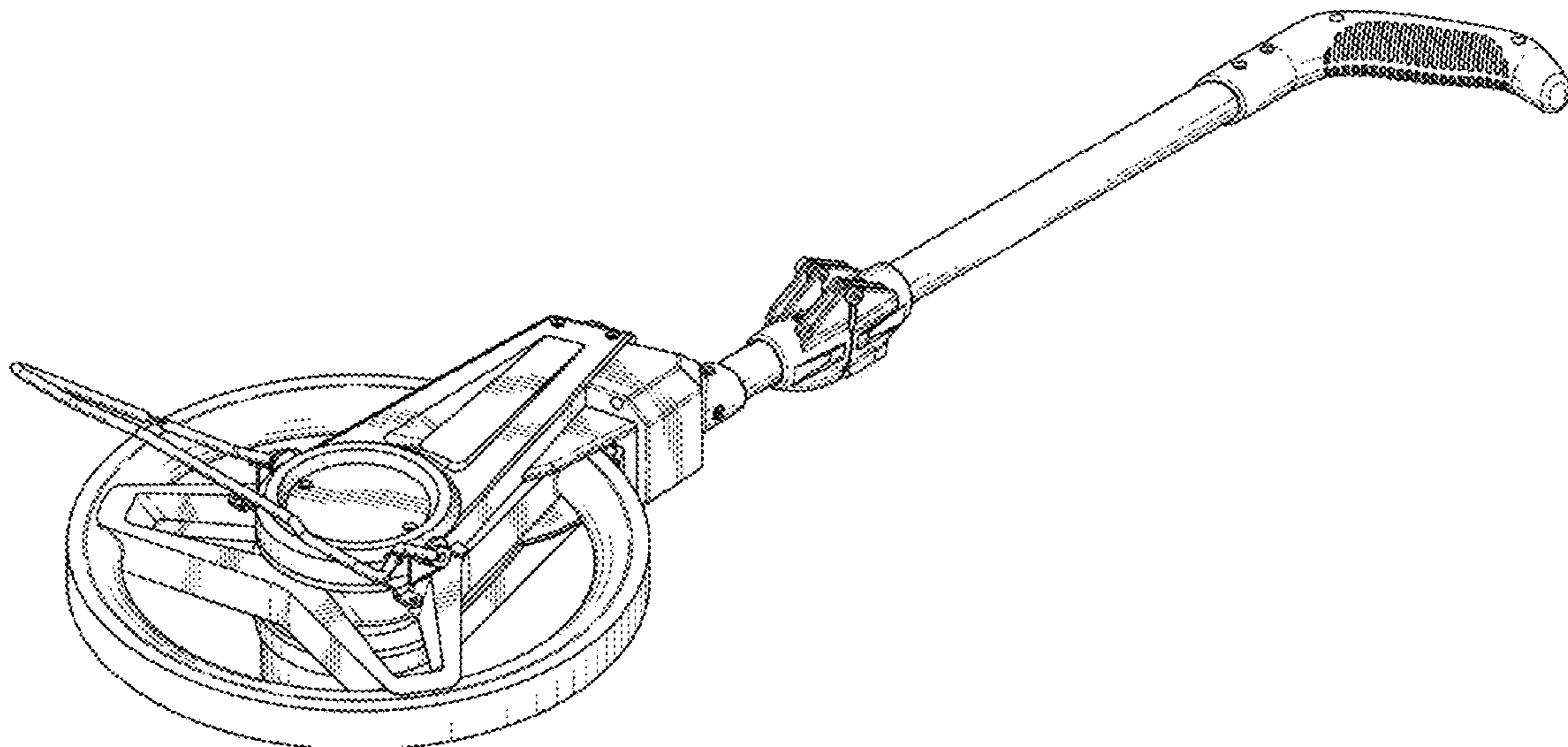
FIG. 1 is a perspective view of a measuring wheel in accordance with the present invention;
 FIG. 2 is a bottom view of the measuring wheel of FIG. 1;
 FIG. 3 is a top view of the measuring wheel of FIG. 1;
 FIG. 4 is a front view of the measuring wheel of FIG. 1;
 FIG. 5 is a rear view of the measuring wheel of FIG. 1;
 FIG. 6 is a left side view of the measuring wheel of FIG. 1;
 and,
 FIG. 7 is a right side view of the measuring wheel of FIG. 1.
 Any broken lines in FIGS. 1-7 form no part of the claimed design.

(56) **References Cited**

U.S. PATENT DOCUMENTS

3,922,793 A	12/1975	Gandrud
D383,399 S	9/1997	Cragie et al.
D437,796 S	2/2001	Risi
D458,162 S	6/2002	Wightman

1 Claim, 6 Drawing Sheets



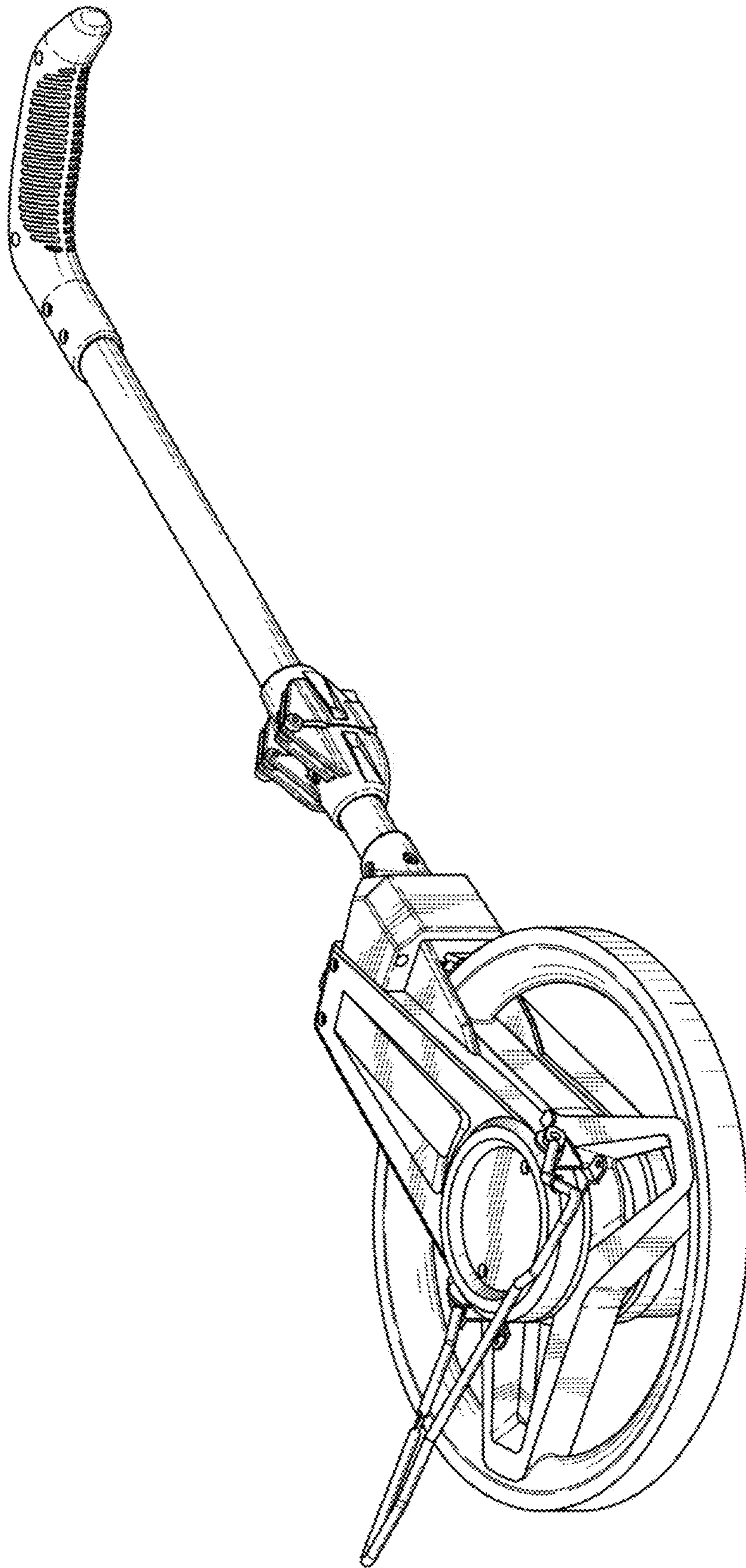


FIG. 1

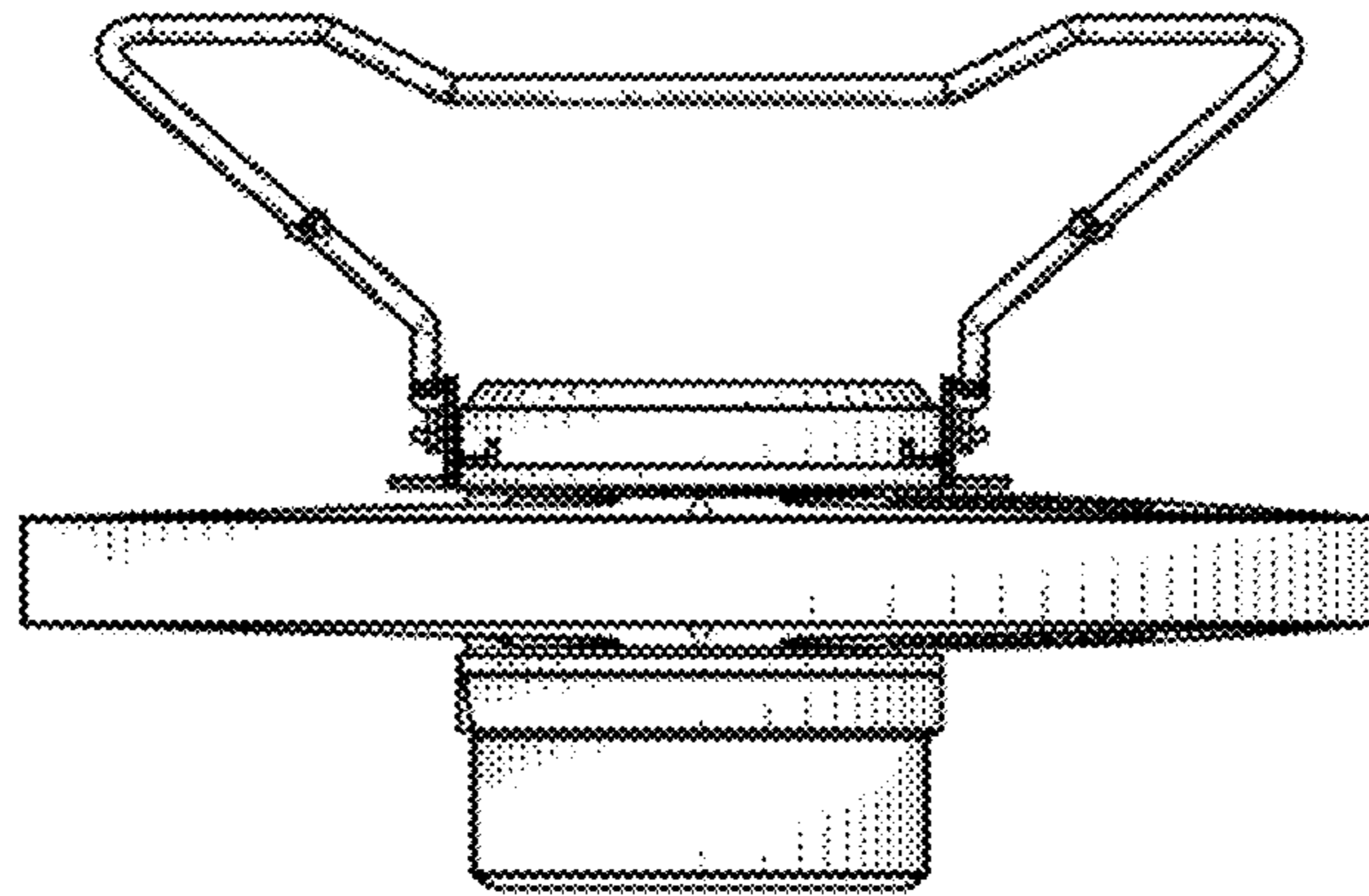


FIG. 2

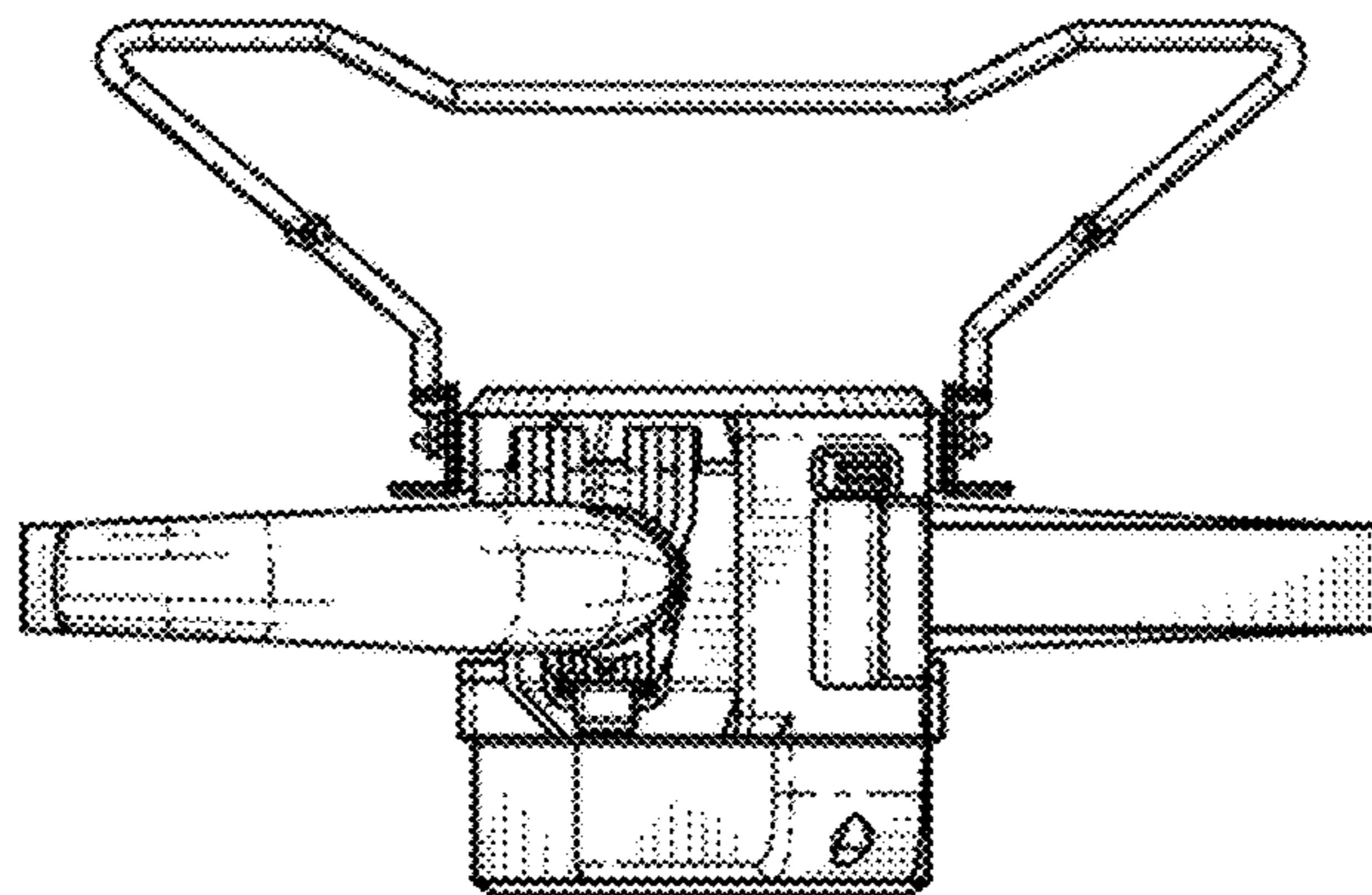


FIG. 3

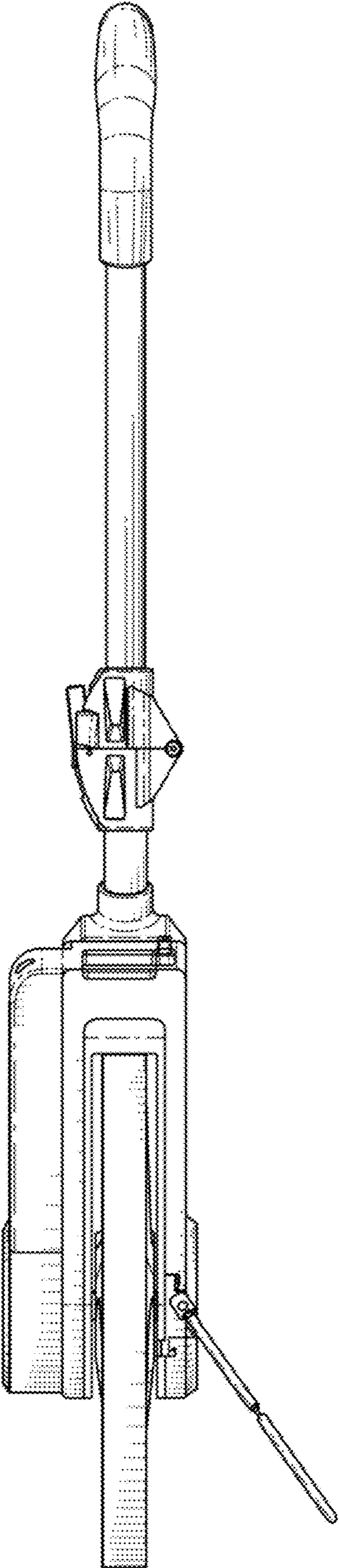


FIG. 4

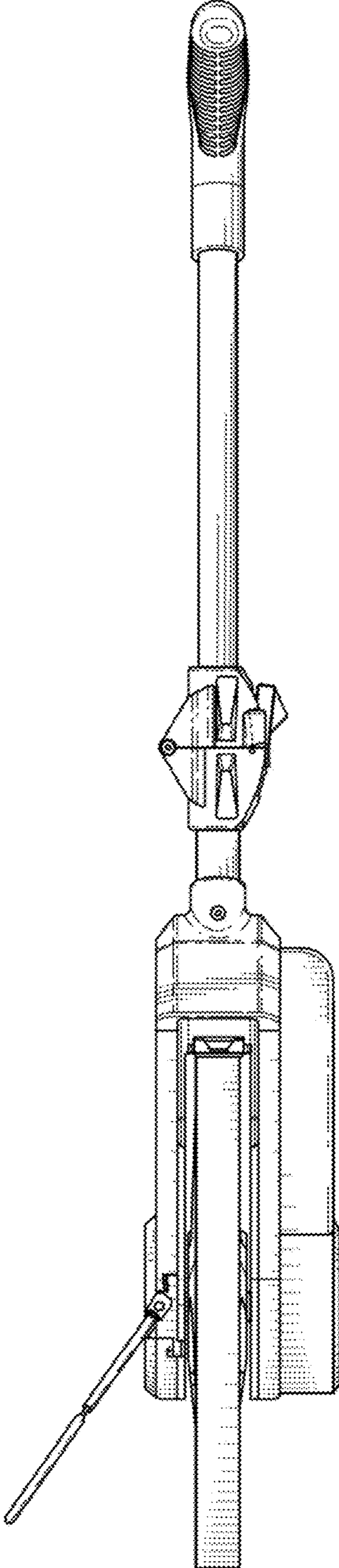


FIG. 5

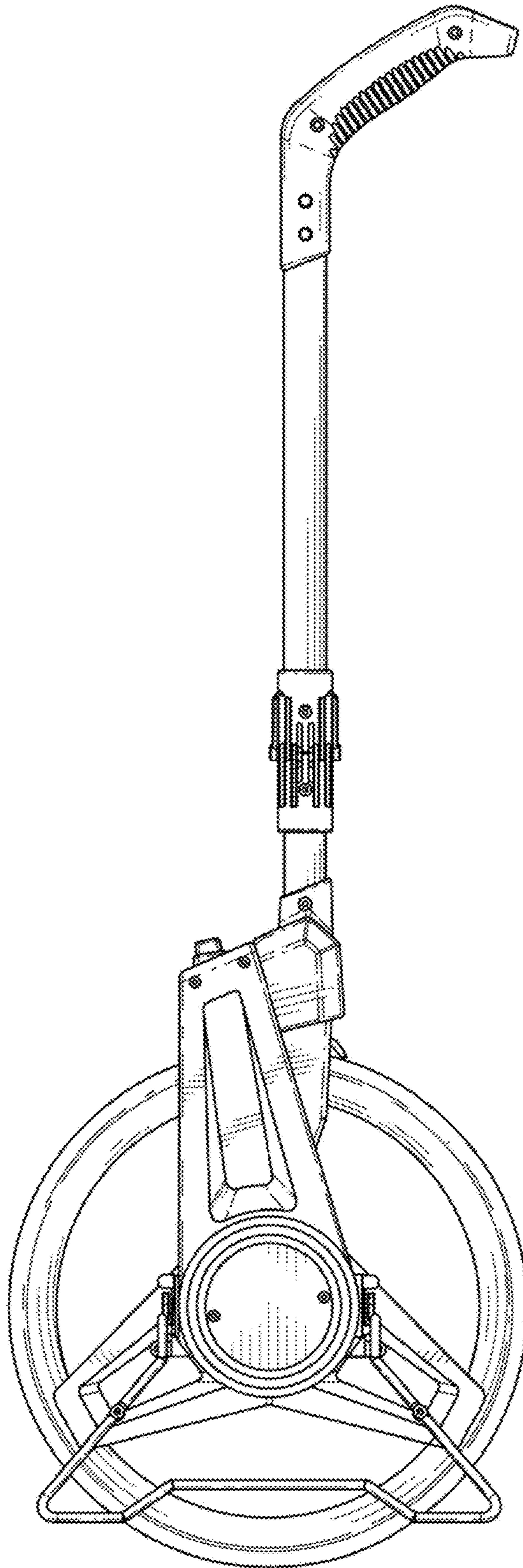


FIG. 6

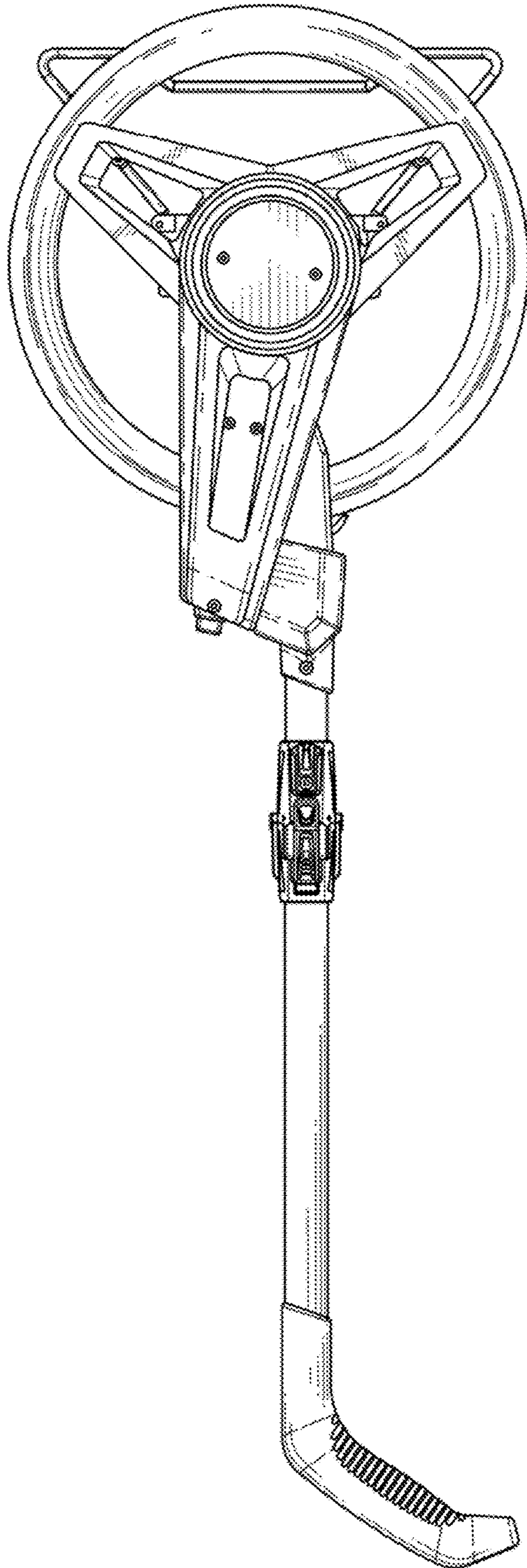


FIG. 7