



US00D863081S

(12) **United States Design Patent**
Cobb et al.

(10) **Patent No.:** **US D863,081 S**
(45) **Date of Patent:** **** Oct. 15, 2019**

- (54) **MEASURING WHEEL**
- (71) Applicant: **APEX BRANDS, INC.**, Apex, NC (US)
- (72) Inventors: **Ian Michael Cobb**, Wixom, MI (US);
David Jonathan Byron, Southfield, MI (US)
- (73) Assignee: **APEX BRANDS, INC.**, Apex, NC (US)
- (**) Term: **15 Years**
- (21) Appl. No.: **29/663,676**
- (22) Filed: **Sep. 18, 2018**

D467,189 S	12/2002	Stoneberg
D486,406 S	2/2004	Critelli et al.
D491,081 S	6/2004	Olson et al.
D498,153 S	11/2004	Stevermer
D499,033 S	11/2004	Stevermer
D500,692 S	1/2005	Olson et al.
D538,686 S	3/2007	McGinn et al.
D571,238 S	6/2008	Stervermer
8,522,448 B2	9/2013	Lai
D726,040 S	4/2015	Wojciechowski et al.
D726,041 S	4/2015	Wojciechowski et al.
10,119,800 B2*	11/2018	Wang G01B 3/12

* cited by examiner

Primary Examiner — Antoine D Davis

(74) *Attorney, Agent, or Firm* — Burr Forman McNair

(57) **CLAIM**

The ornamental design for a measuring wheel, as shown and described.

DESCRIPTION

FIG. 1 is a perspective view of a measuring wheel in accordance with an embodiment of the present invention; FIG. 2 is a bottom view of the measuring wheel of FIG. 1; FIG. 3 is a top view of the measuring wheel of FIG. 1; FIG. 4 is a front view of the measuring wheel of FIG. 1; FIG. 5 is a rear view of the measuring wheel of FIG. 1; FIG. 6 is a left side view of the measuring wheel of FIG. 1; and, FIG. 7 is a right side view of the measuring wheel of FIG. 1.

The broken lines of FIGS. 1-7 are illustrative of the visible environmental structure of the measuring wheel and form no part of the claimed design.

1 Claim, 6 Drawing Sheets

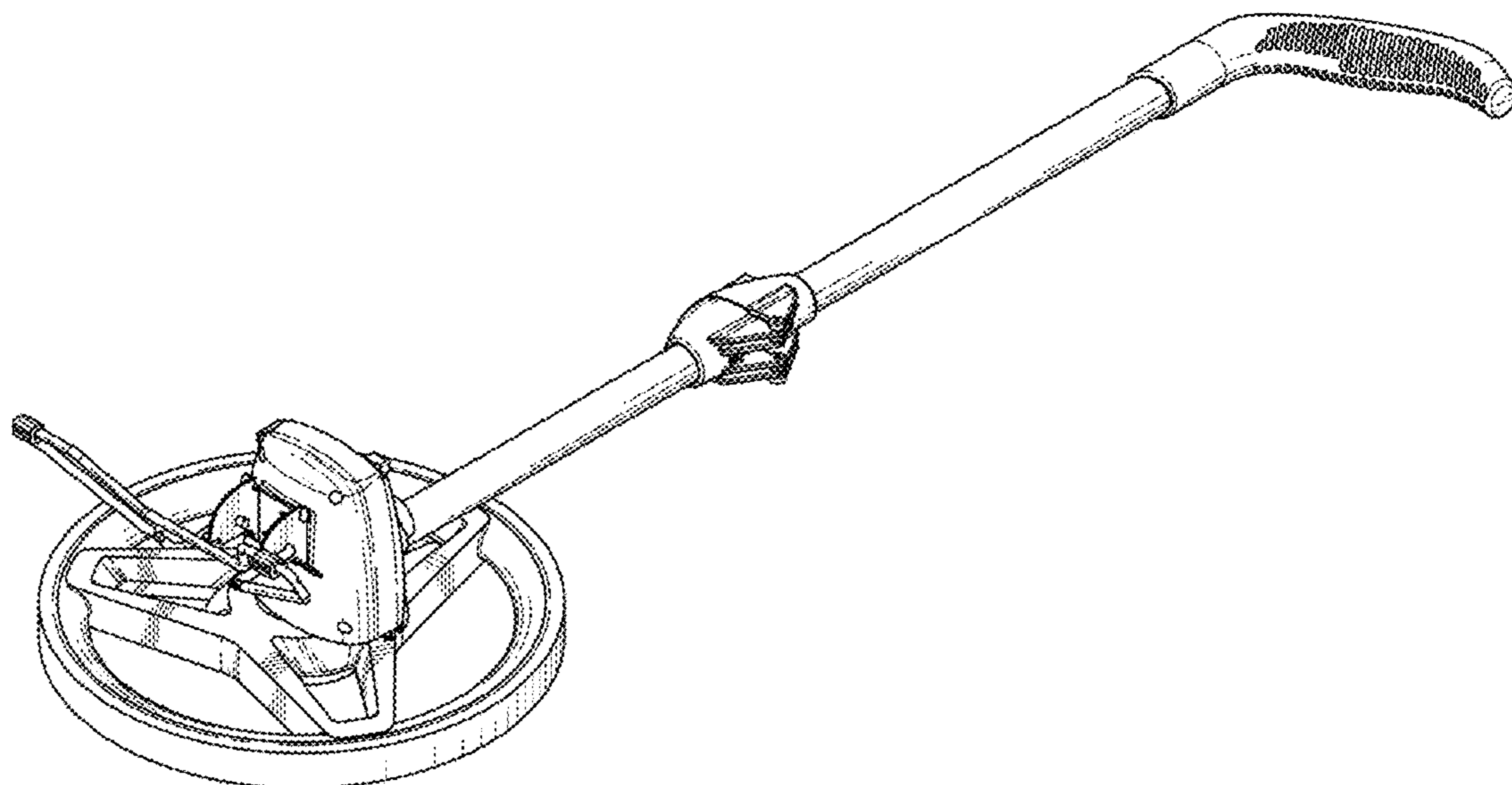
Related U.S. Application Data

- (62) Division of application No. 29/589,220, filed on Dec. 29, 2016, now Pat. No. Des. 831,516.
- (51) **LOC (12) Cl.** **10-04**
- (52) **U.S. Cl.**
USPC **D10/70**
- (58) **Field of Classification Search**
USPC D10/70, 74
CPC G01B 3/12
See application file for complete search history.

References Cited

U.S. PATENT DOCUMENTS

3,922,793 A	12/1975	Gandrud
D383,399 S	9/1997	Cragie et al.
D437,796 S	2/2001	Risi
D458,162 S	6/2002	Wightman



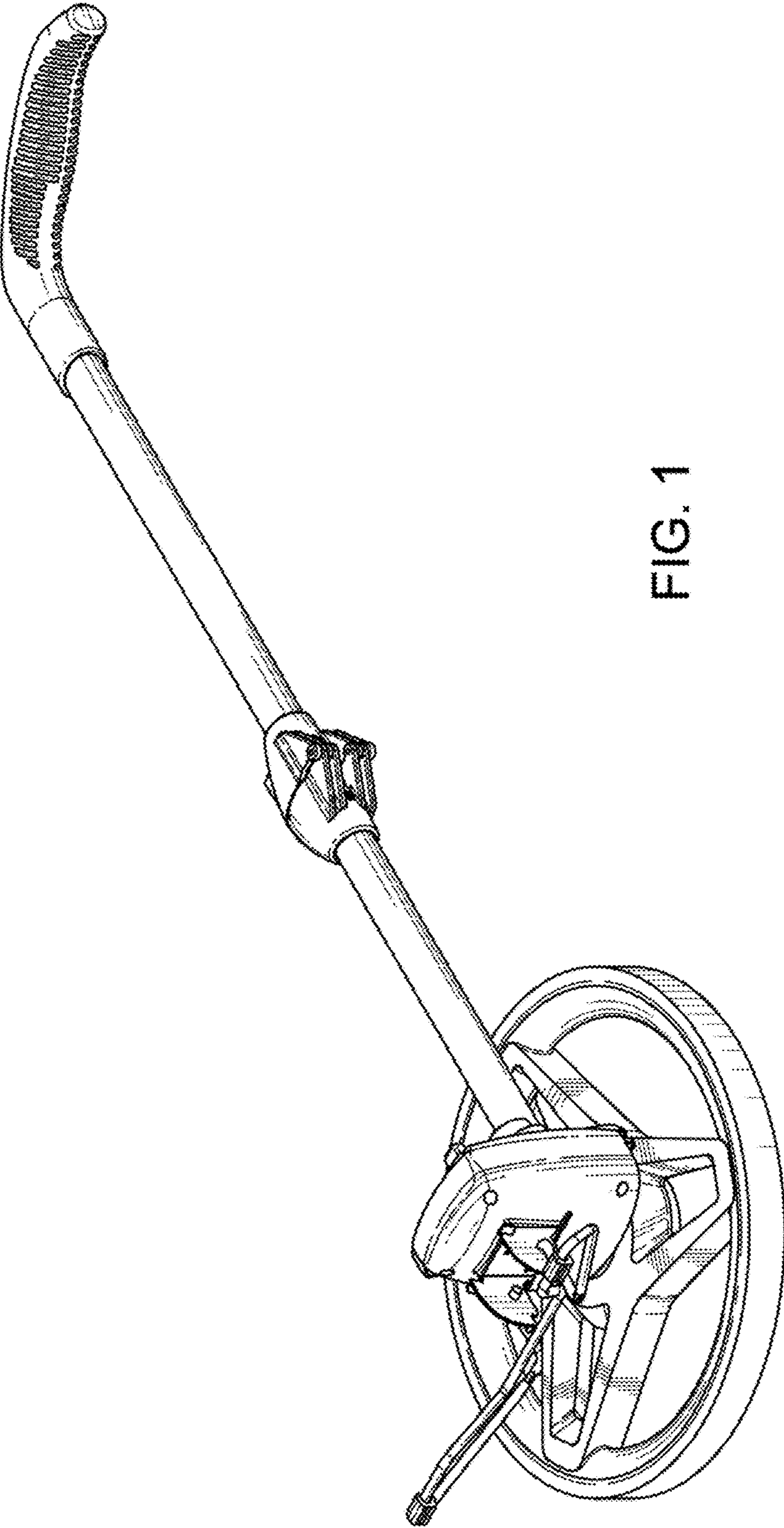


FIG. 1

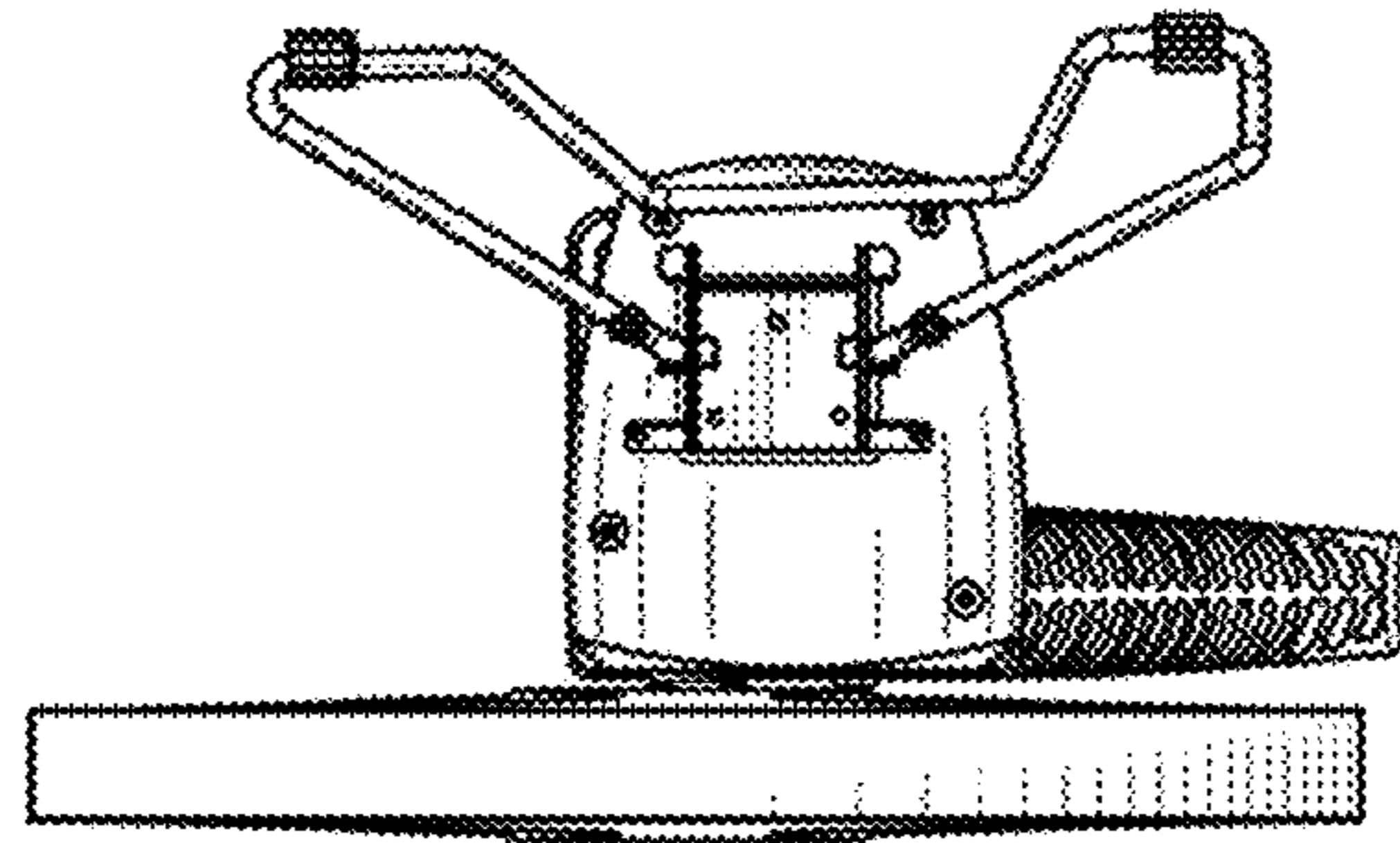


FIG. 2

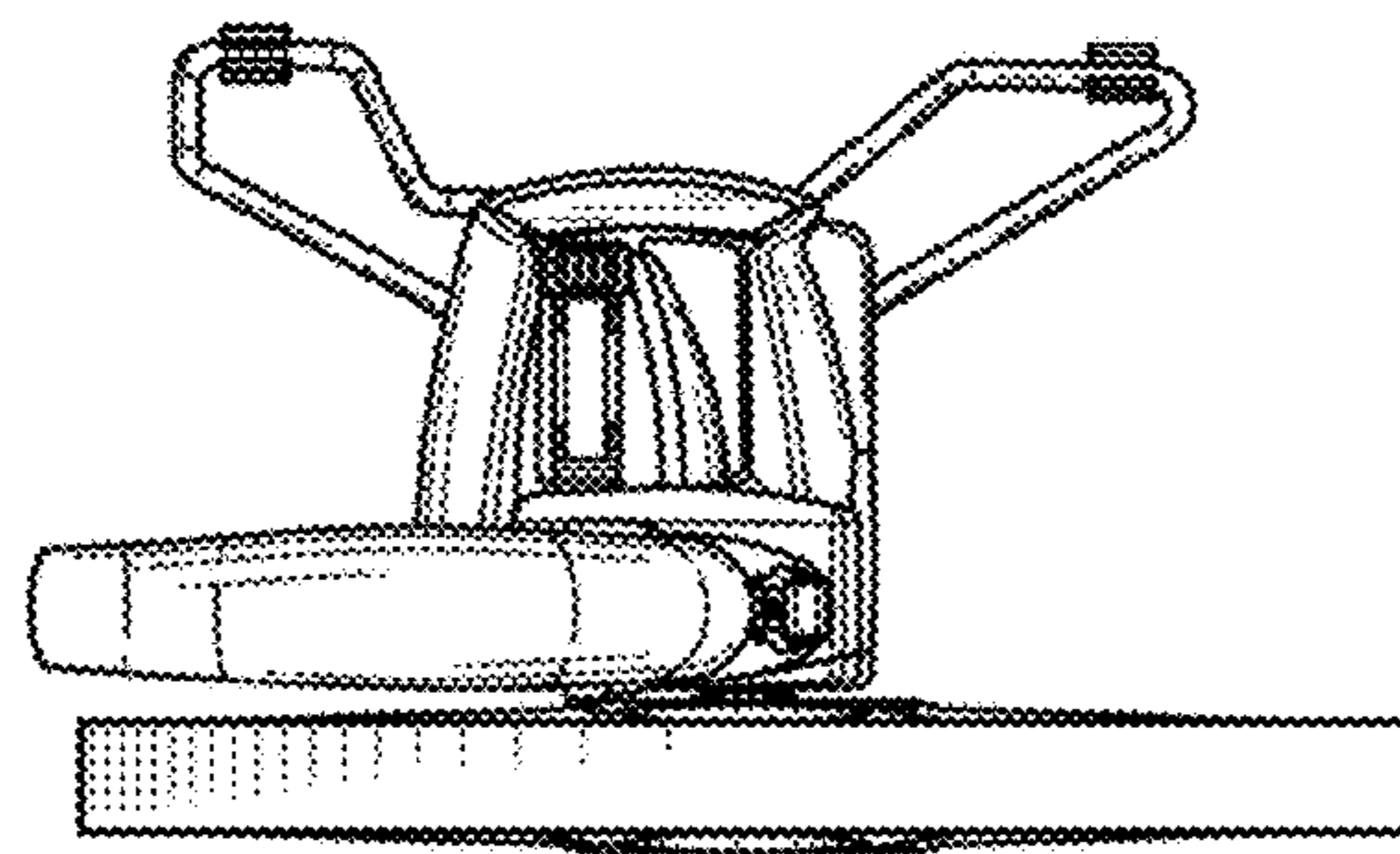


FIG. 3

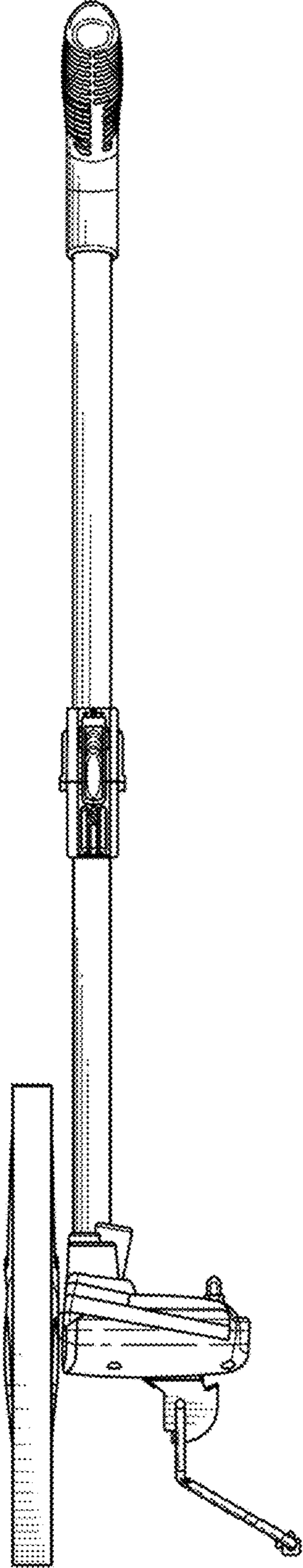


FIG. 4

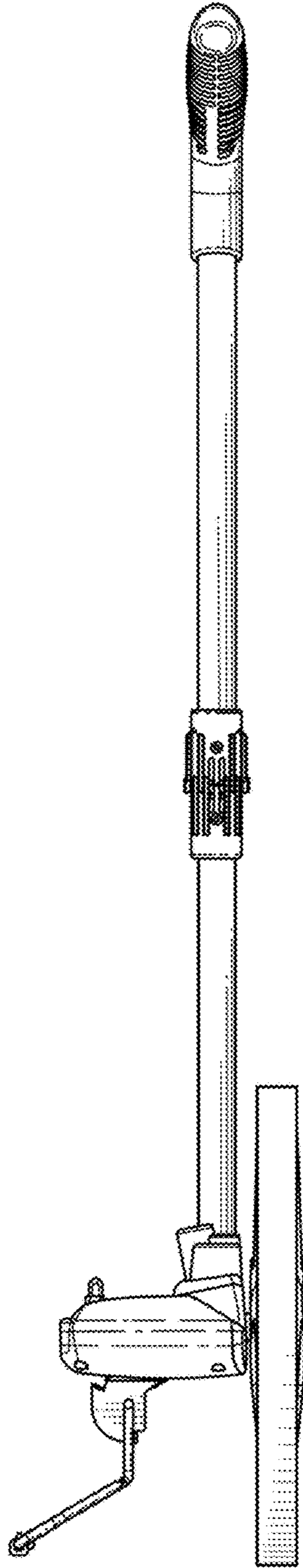


FIG. 5

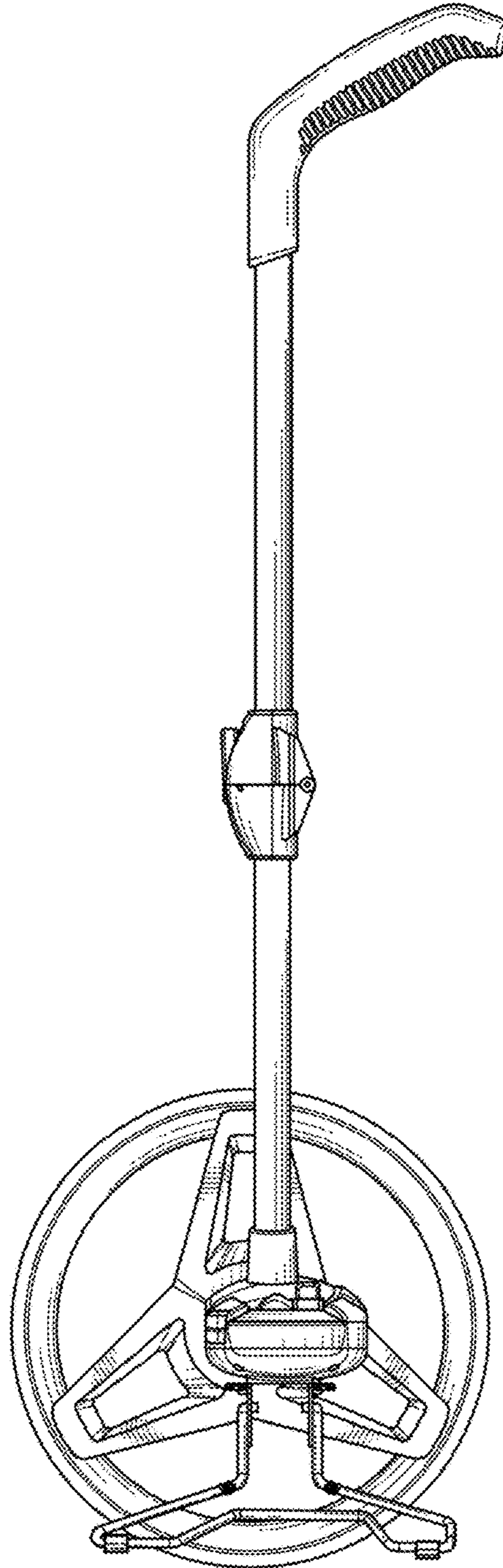


FIG. 6

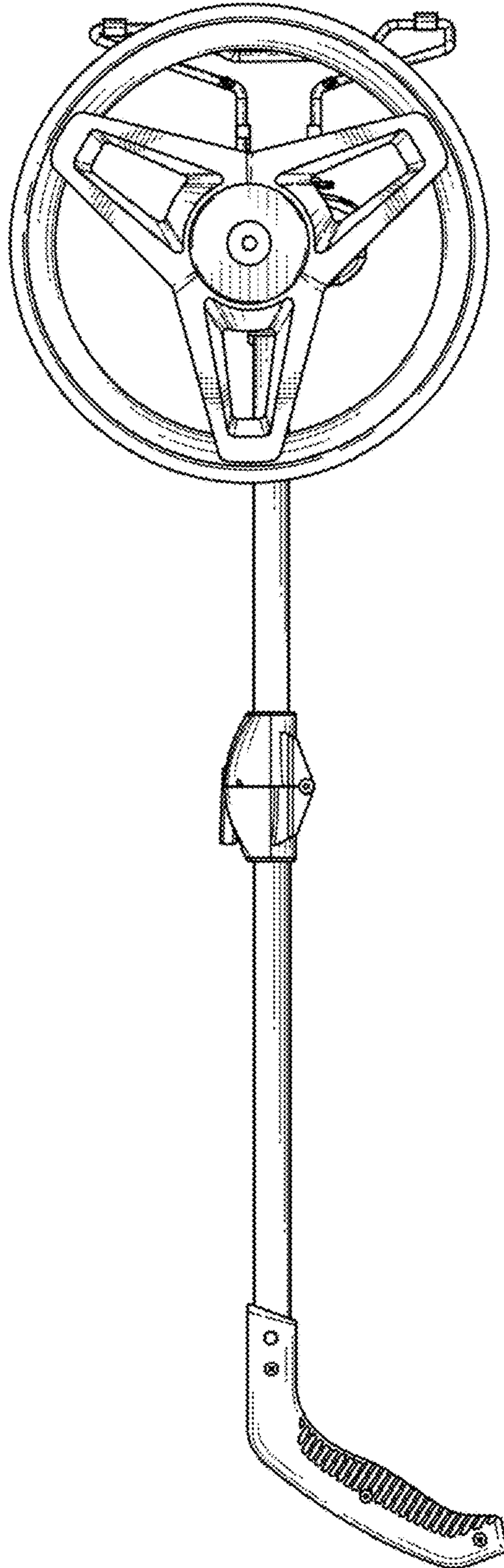


FIG. 7