



US00D863080S

(12) **United States Design Patent**  
**Lee et al.**

(10) **Patent No.:** **US D863,080 S**  
(45) **Date of Patent:** **\*\* Oct. 15, 2019**

(54) **MOTION SENSOR**

(71) Applicant: **SAMSUNG ELECTRONICS CO., LTD.**, Suwon-si, Gyeonggi-do (KR)  
(72) Inventors: **Siyoun Lee**, Anyang-si (KR); **Yujin Hwang**, Suwon-si (KR)  
(73) Assignee: **SAMSUNG ELECTRONICS CO., LTD.**, Gyeonggi-Do (KR)

(\*\*) Term: **15 Years**

(21) Appl. No.: **29/655,955**

(22) Filed: **Jul. 9, 2018**

(30) **Foreign Application Priority Data**

Mar. 21, 2018 (KR) ..... 30-2018-0013527

(51) **LOC (12) Cl.** ..... **10-04**

(52) **U.S. Cl.**  
USPC ..... **D10/70**

(58) **Field of Classification Search**

USPC ..... D10/70, 106.6  
CPC .. G01P 13/00; G01P 13/0006; G01P 13/0013; G01P 13/002; G01P 13/0026; G01P 13/0033; G01P 13/004; G01P 13/0046; G01P 13/0053; G01P 13/006; G01P 13/0066; G01P 13/0073; G01P 13/008; G01P 13/0086; G01P 13/0093; G08B 21/00; G08B 21/02; G08B 21/0202; G08B 21/0205; G08B 21/0208; G08B 21/0211; G08B 21/0213; G08B 21/0216; G08B 21/0219; G08B 21/0222; G08B 21/0225; G08B 21/0227; G08B 21/023;

(Continued)

(56) **References Cited**

**U.S. PATENT DOCUMENTS**

D659,037 S \* 5/2012 Madsen ..... D10/65  
D684,072 S \* 6/2013 Volkert ..... D10/70

(Continued)

**FOREIGN PATENT DOCUMENTS**

CN 304503899 S 2/2018  
JP D1541563 1/2016

**OTHER PUBLICATIONS**

Initial State, [online]; [retrieved on Mar. 27, 2018]; retrieved from the Internet <http://blog.initialstate.com/iris-motion-sensor-tiny-smarthings-sensors-everywhere/> Jamie Bailey, "Iris Motion Sensor: Tiny SmartThings Sensors Everywhere," Initial State, Jun. 16, 2017, pp. 1-6.

(Continued)

*Primary Examiner* — Antoine Duval Davis

(74) *Attorney, Agent, or Firm* — Cantor Colburn LLP

(57) **CLAIM**

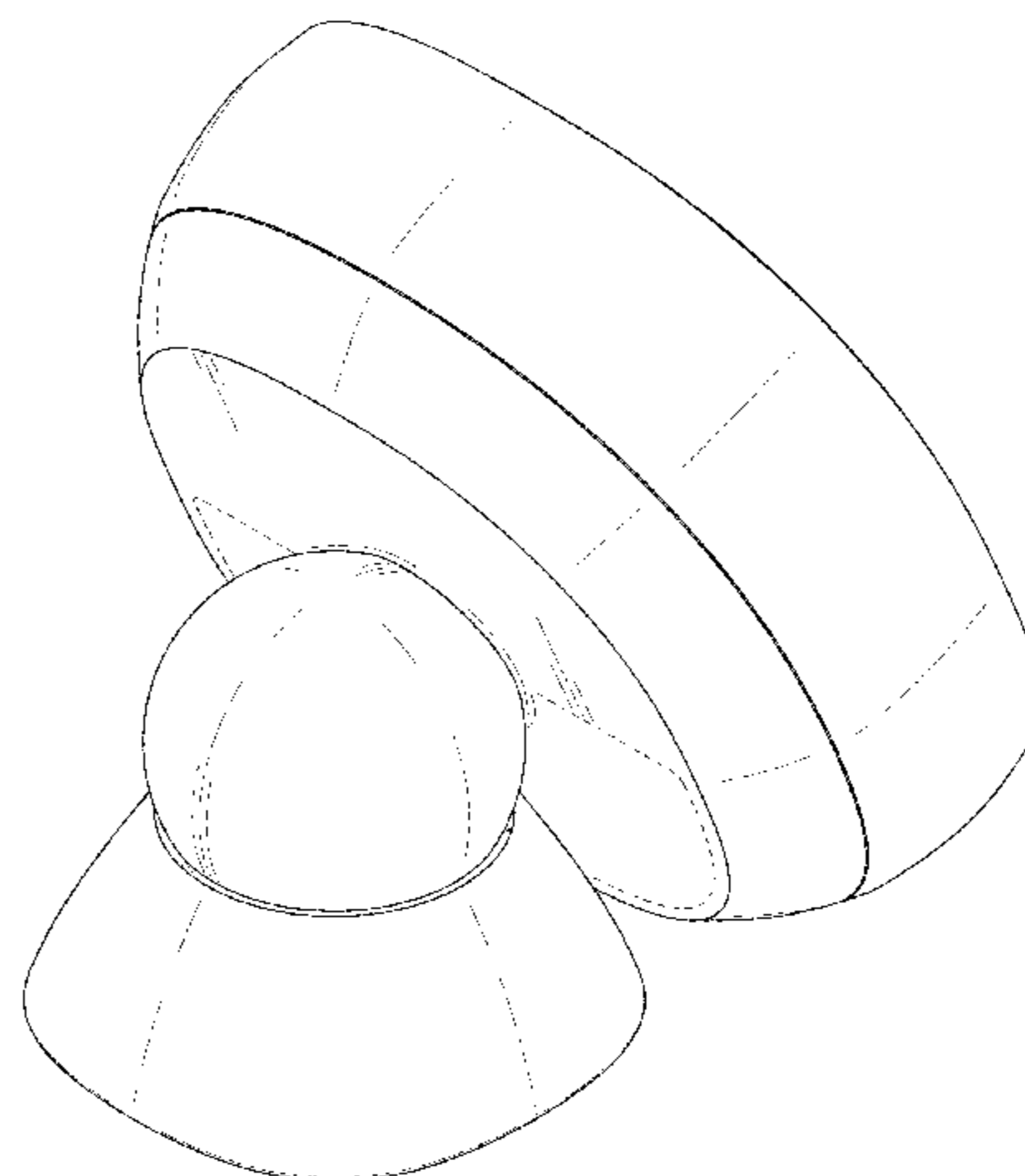
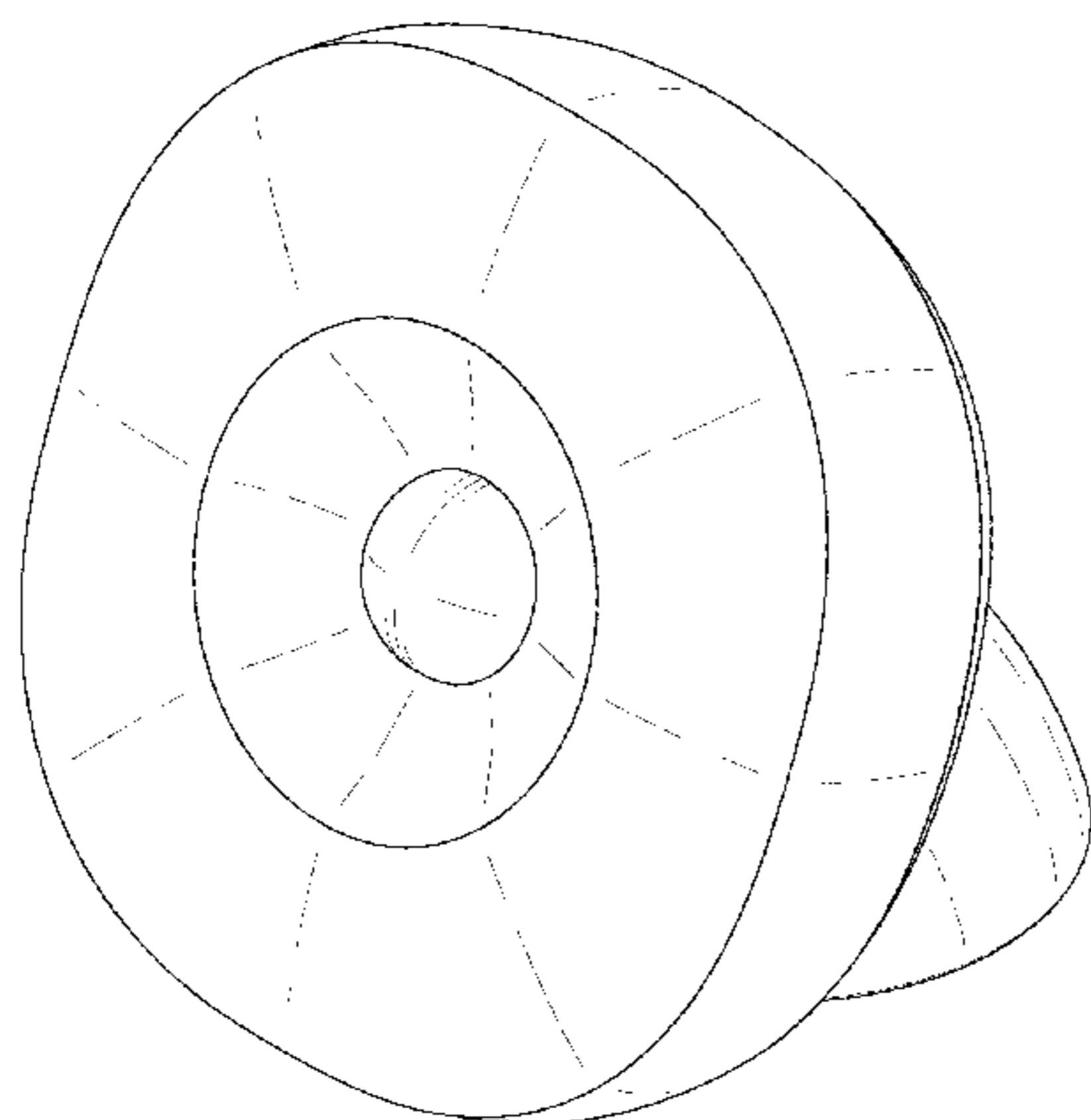
The ornamental design for a motion sensor, as shown and described.

**DESCRIPTION**

FIG. 1 is a front perspective view of a motion sensor, showing our new design;  
FIG. 2 is a front view thereof;  
FIG. 3 is a rear view thereof;  
FIG. 4 is a side view thereof;  
FIG. 5 is another side view thereof;  
FIG. 6 is a top view thereof;  
FIG. 7 is a bottom view thereof;  
FIG. 8 is a rear perspective view thereof;  
FIG. 9 is an exploded view thereof; and,  
FIG. 10 is a perspective view thereof, shown in an environment of use.

The broken lines shown in FIGS. 3, 7, 8 and 10 showing portions of the motion sensor form no part of the claimed design; and the broken lines in FIG. 10 showing a cat, a door and a wall are environment and form no part of the claimed design.

**1 Claim, 10 Drawing Sheets**



(58) **Field of Classification Search**

CPC ..... G08B 21/0233; G08B 21/0236; G08B 21/0238; G08B 21/0241; G08B 21/0244; G08B 21/0247; G08B 21/025; G08B 21/0252; G08B 21/0258; G08B 21/0261; G08B 21/0263; G08B 21/0266; G08B 21/0269; G08B 21/0272; G08B 21/0275; G08B 21/0277; G08B 21/028; G08B 21/0283; G08B 21/0286; G08B 21/0288; G08B 21/0291; G08B 21/0194; G08B 21/0297; G08B 21/04; G08B 21/0407; G08B 21/0415; G08B 21/0423; G08B 21/043; G08B 21/0438; G08B 21/0446; G08B 21/0453; G08B 21/0461; G08B 21/0469; G08B 21/0476; G08B 21/0484; G08B 21/0492; G08B 21/06; G08B 21/08; G08B 21/082; G08B 21/084; G08B 21/086; G08B 21/088; G08B 21/10; G08B 21/12; G08B 21/14; G08B 21/16; G08B 21/18; G08B 21/182; G08B 21/185; G08B 21/187; G08B 21/20; G08B 21/22; G08B 21/24; G08B 21/245; G08B 23/00; G08B 13/00; G08B 13/02; G08B 13/04; G08B 13/06; G08B 13/08; G08B 13/10; G08B 13/12; G08B 13/122; G08B 13/124; G08B 13/126; G08B 13/028; G08B 13/14; G08B 13/1409; G08B 13/1418; G08B 13/1427; G08B 13/1436; G08B 13/1445; G08B 13/1454; G08B 13/1463; G08B 13/1472; G08B 13/1481; G08B 13/149; G08B 13/16; G08B 13/1609; G08B 13/1618; G08B 13/1627; G08B 13/1636; G08B 13/1645; G08B 13/1654; G08B 13/1663; G08B 13/1672; G08B 13/1681; G08B 13/169; G08B 13/18; G08B 13/181; G08B 13/183; G08B 13/184; G08B 13/186; G08B 13/187; G08B 13/189; G08B 13/1895; G08B 13/19; G08B 13/191; G08B 13/193; G08B 13/194; G08B 13/196; G08B 13/19602; G08B 13/19604; G08B 13/19606; G08B 13/19608; G08B 13/1961; G08B 13/19613; G08B 13/19615; G08B 13/19617; G08B 13/19619; G08B 13/19621; G08B 13/19623; G08B 13/19626; G08B 13/19628; G08B 13/1963; G08B 13/19632; G08B 13/19634; G08B

13/19636; G08B 13/19639; G08B 13/19641; G08B 13/19643; G08B 13/19645; G08B 13/19647; G08B 13/1965; G08B 13/19652; G08B 13/19654; G08B 13/19656; G08B 13/19658; G08B 13/1966; G08B 13/19663; G08B 13/19665; G08B 13/19667; G08B 13/19669; G08B 13/19671; G08B 13/19673; G08B 13/19676; G08B 13/19678; G08B 13/1968; G08B 13/19682; G08B 13/19684; G08B 13/19686; G08B 13/19689; G08B 13/19691; G08B 13/19693; G08B 13/19695; G08B 13/19697; G08B 13/20; G08B 13/22; G08B 13/24; G08B 13/2402; G08B 13/2405; G08B 13/2408; G08B 13/2411; G08B 13/2414; G08B 13/2417; G08B 13/242; G08B 13/2422; G08B 13/2425; G08B 13/2428; G08B 13/2431; G08B 13/2434; G08B 13/2437; G08B 13/244; G08B 13/2442; G08B 13/2445; G08B 13/2448; G08B 13/2451; G08B 13/2454; G08B 13/2457; G08B 13/246; G08B 13/2462; G08B 13/2465; G08B 13/2468; G08B 13/2471; G08B 13/2474; G08B 13/2477; G08B 13/248; G08B 13/2482; G08B 13/2485; G08B 13/2488; G08B 13/2491; G08B 13/2494; G08B 13/2497; G08B 13/26

See application file for complete search history.

(56)

**References Cited**

U.S. PATENT DOCUMENTS

D692,333 S \* 10/2013 Moeller ..... D10/106.8  
 D724,970 S 3/2015 Hasegawa et al.  
 D842,142 S \* 3/2019 Recker ..... D10/70

OTHER PUBLICATIONS

Tech Advisor, [online]; [retrieved on Mar. 27, 2018]; retrieved from the Internet <https://www.techadvisor.co.uk/review/digital-home/hive-active-plug-motion-sensor-door-window-sensor-review-smart-3640279/> Gordon Thorn, "Hive Active Plug, Motion Sensor, Door and Window Sensor Review," Tech Advisor, May 13, 2016, pp. 1-7.

\* cited by examiner

FIG. 1

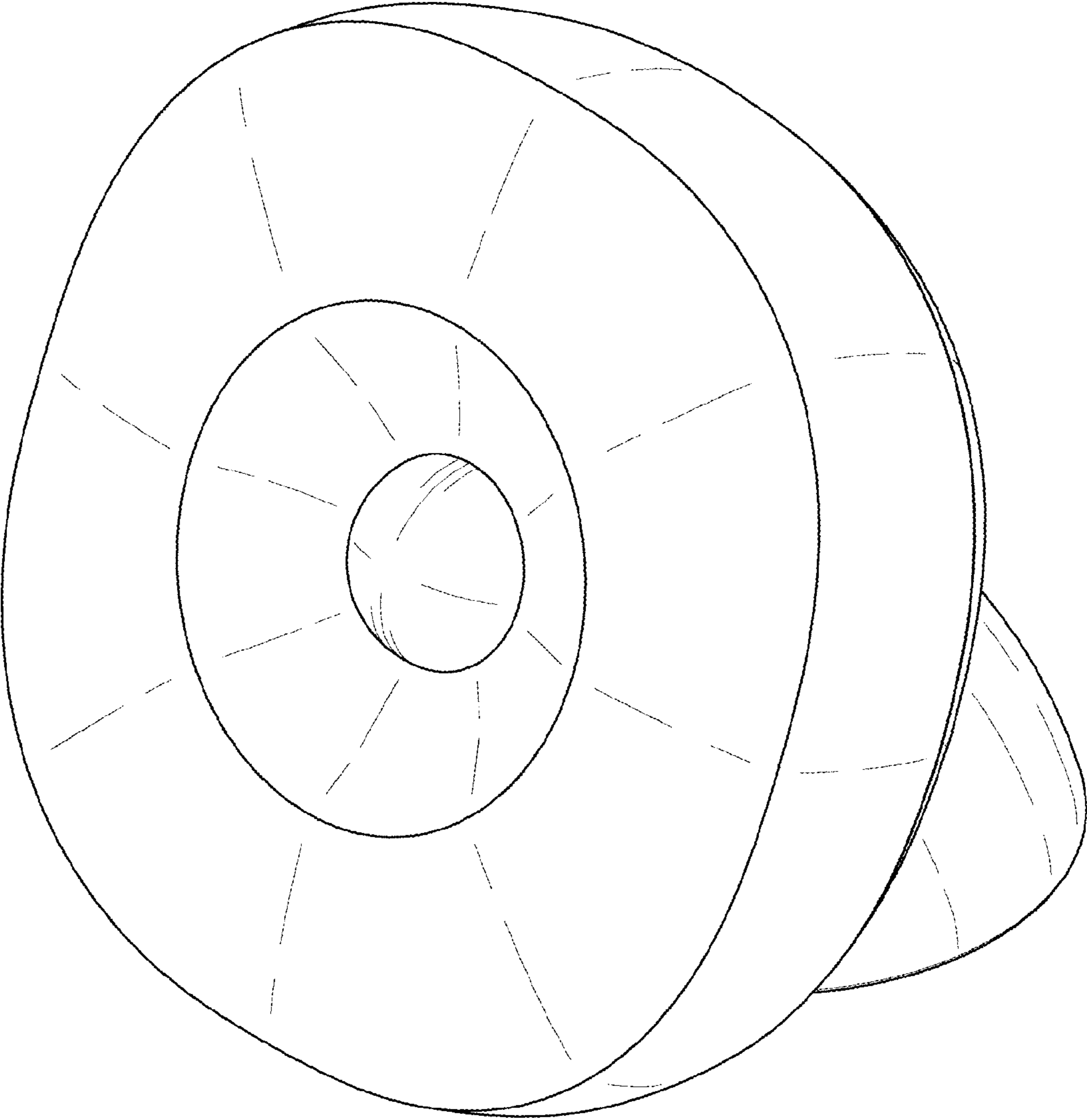


FIG. 2

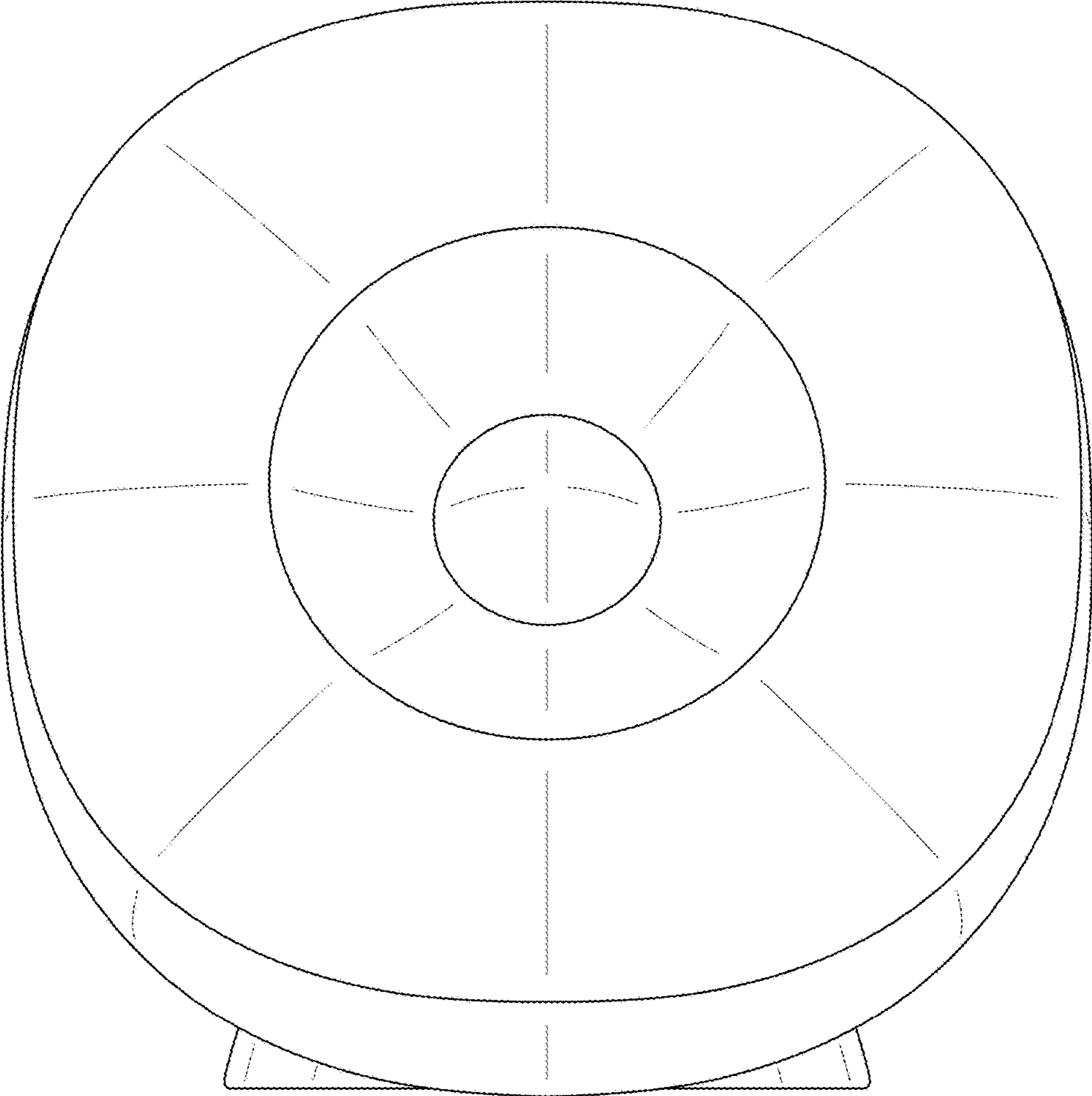


FIG. 3

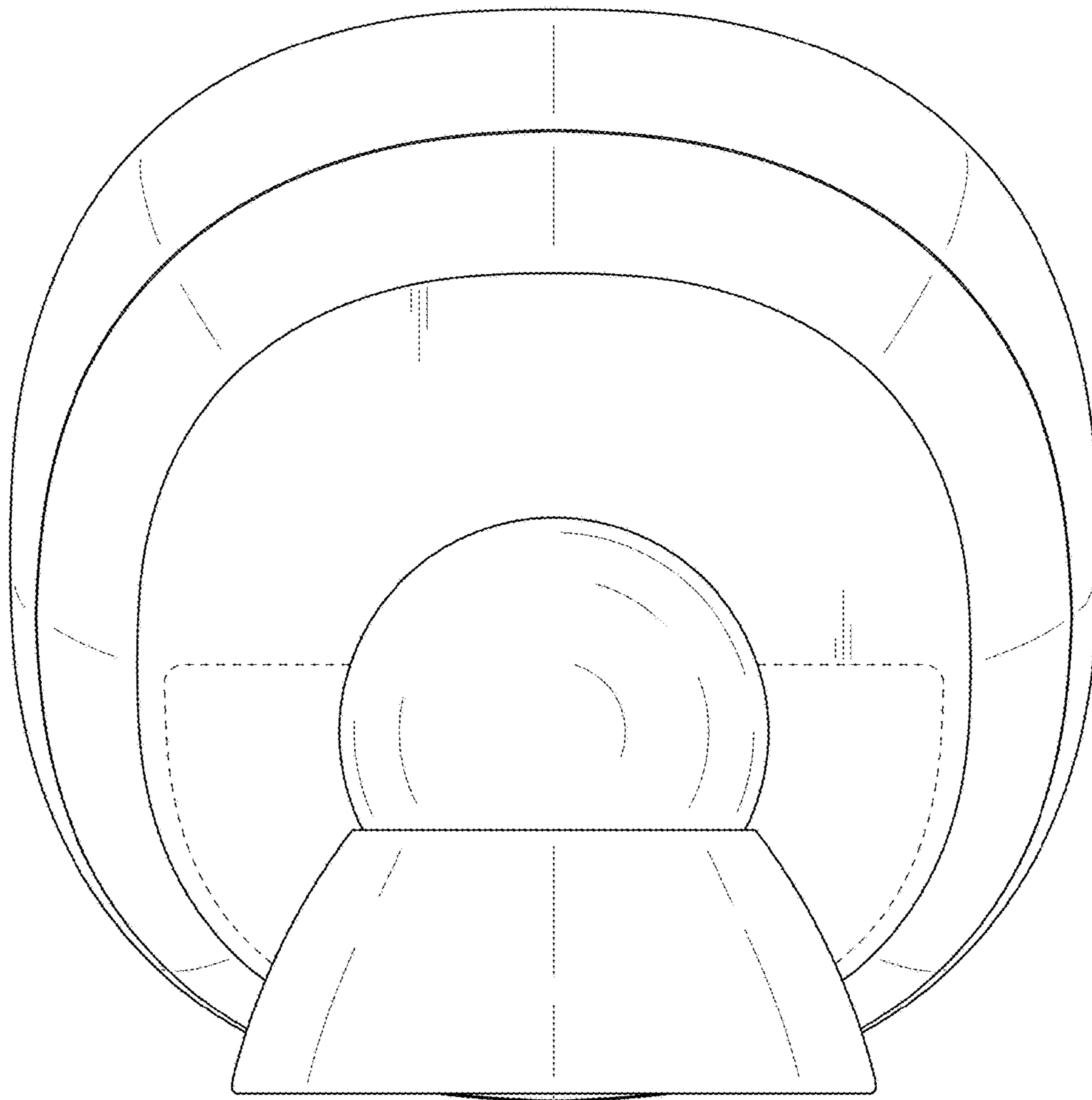


FIG. 4

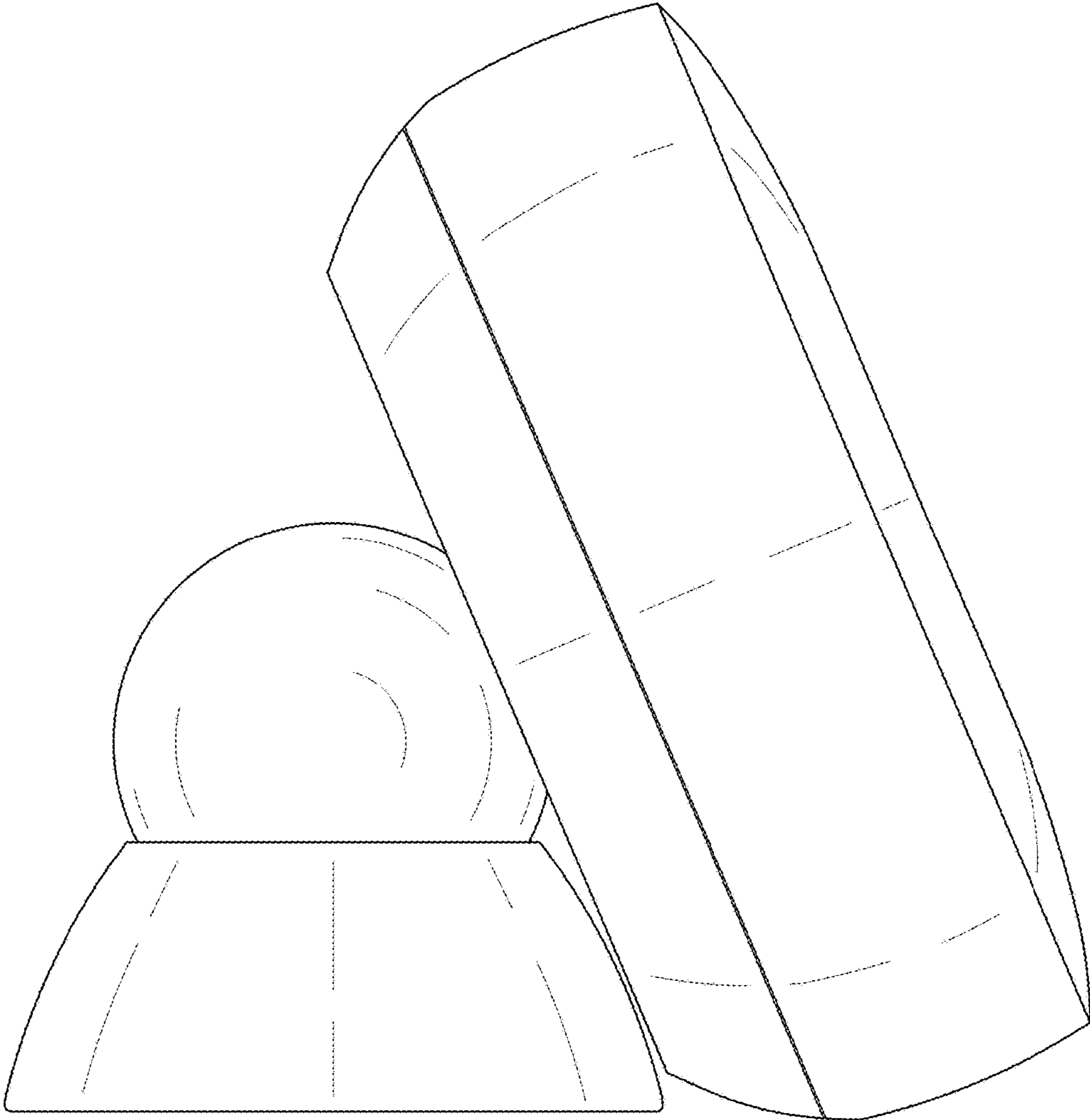


FIG. 5

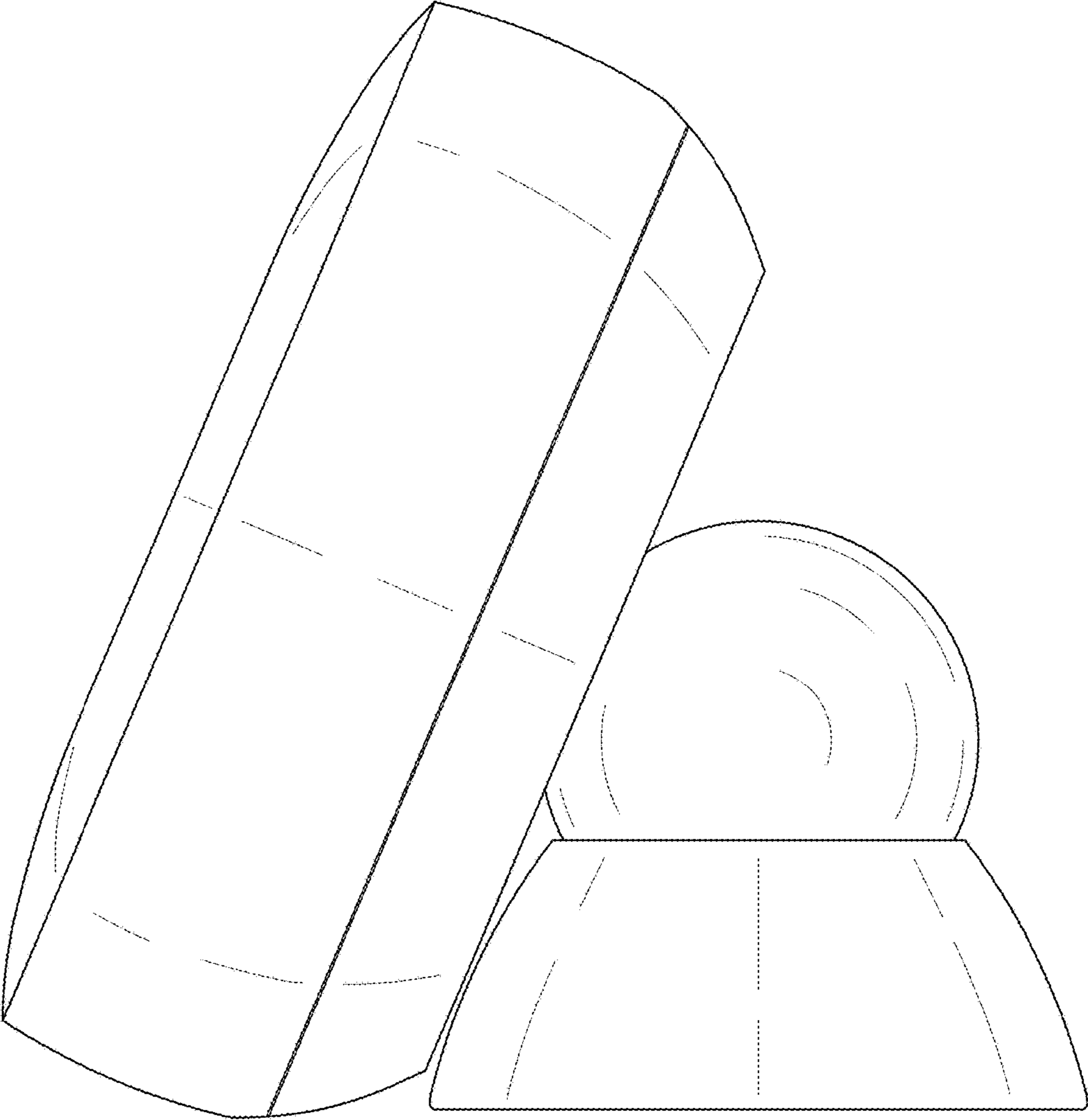


FIG. 6

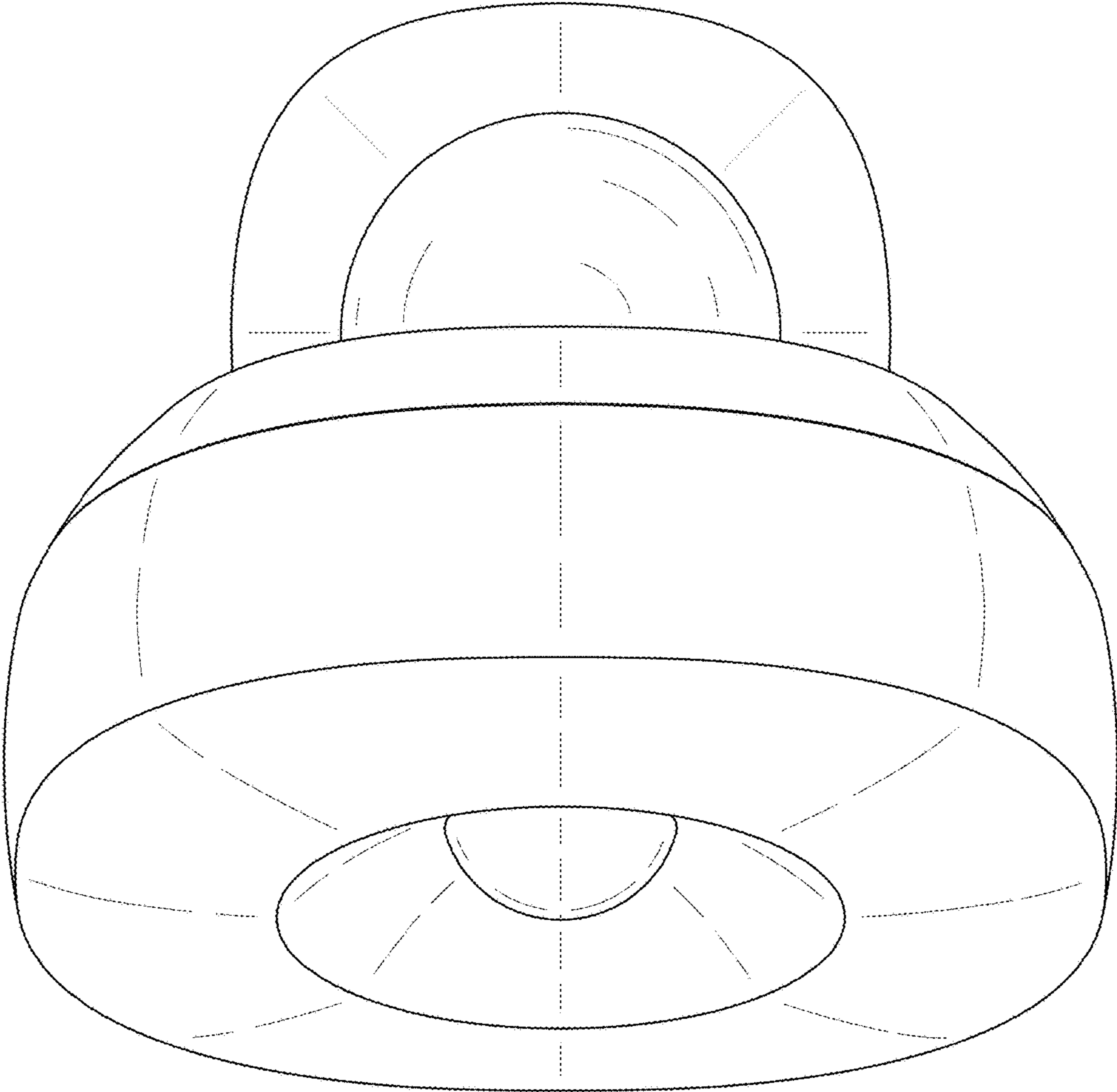




FIG. 7

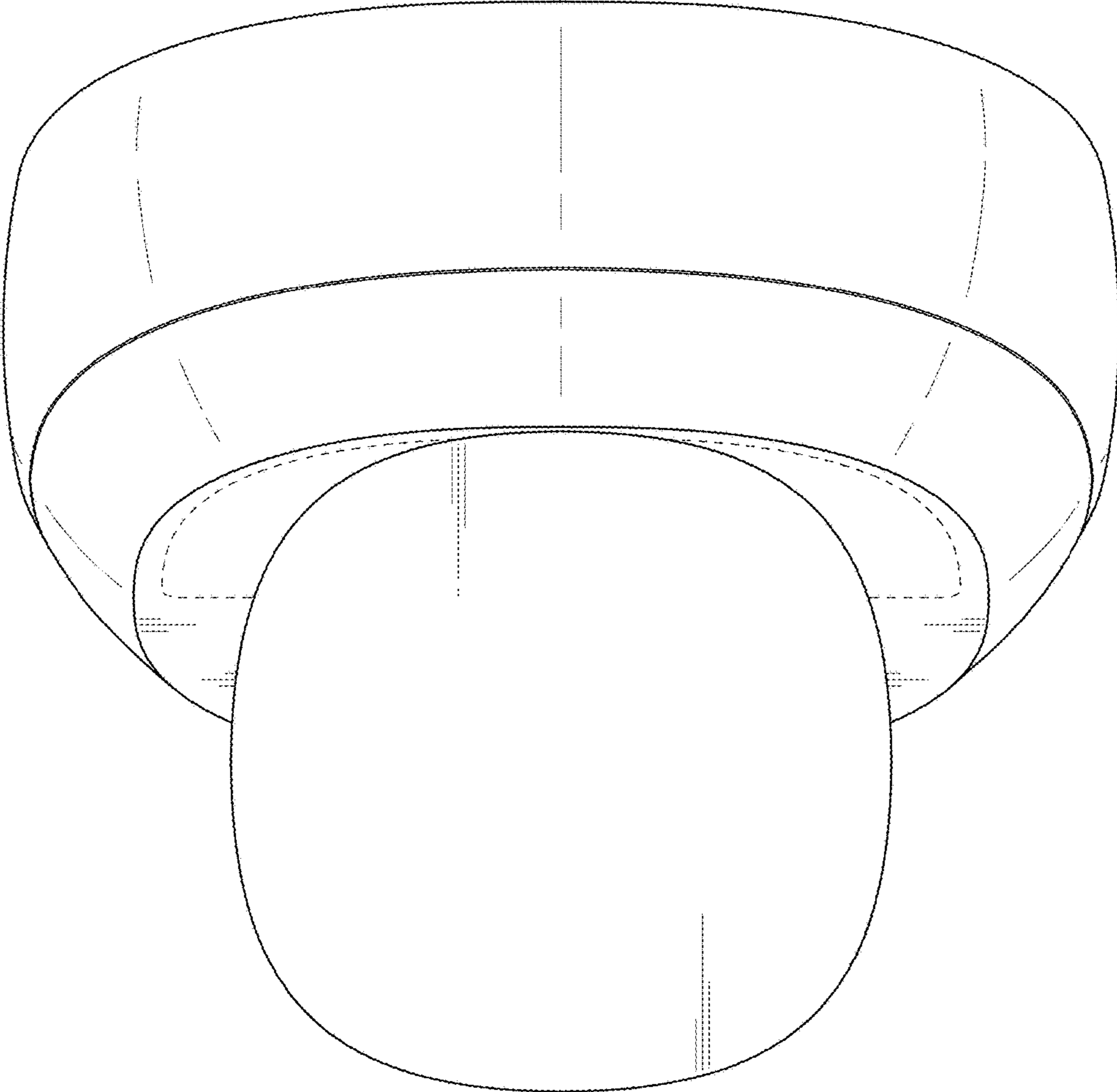


FIG. 8

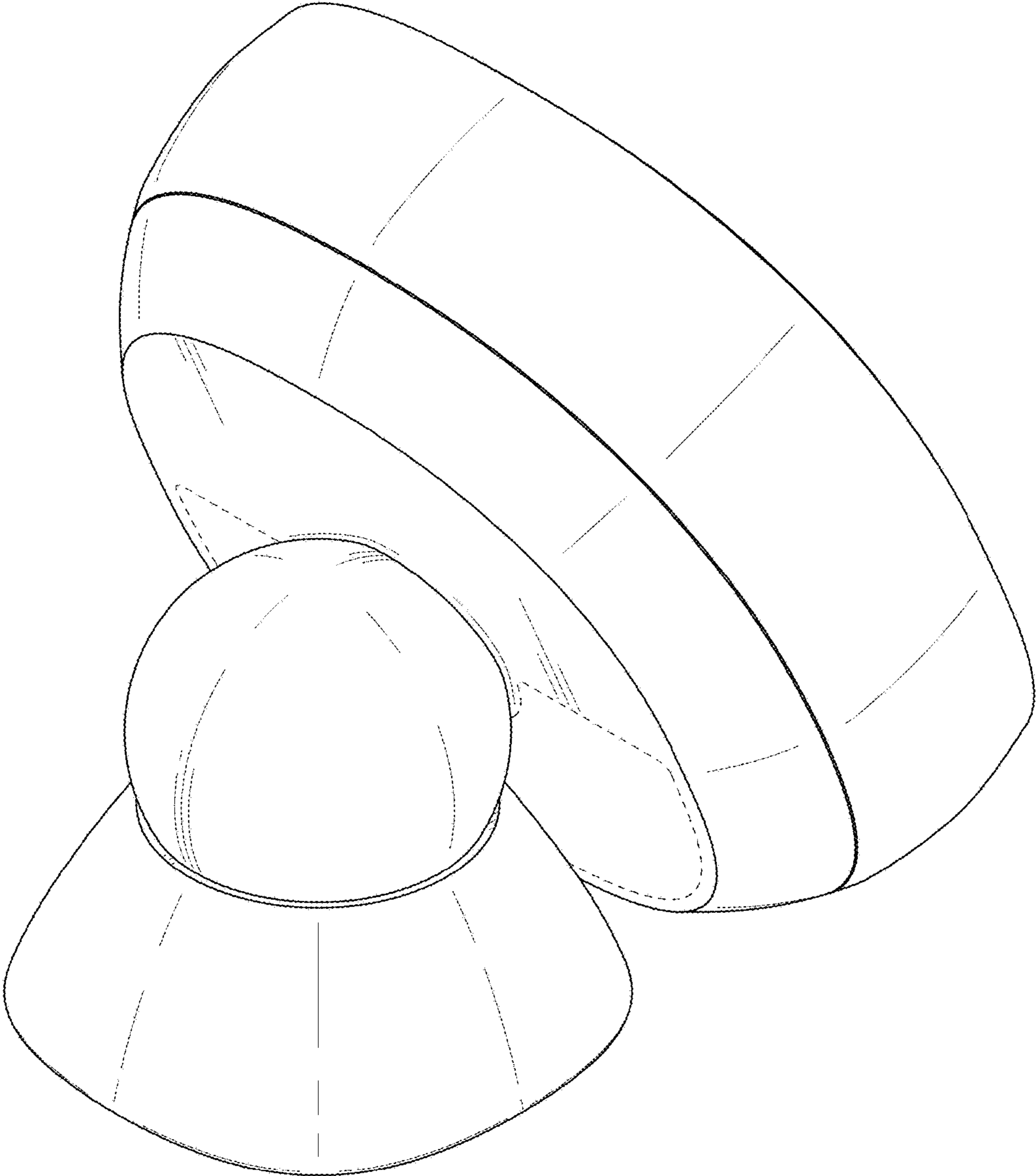


FIG. 9

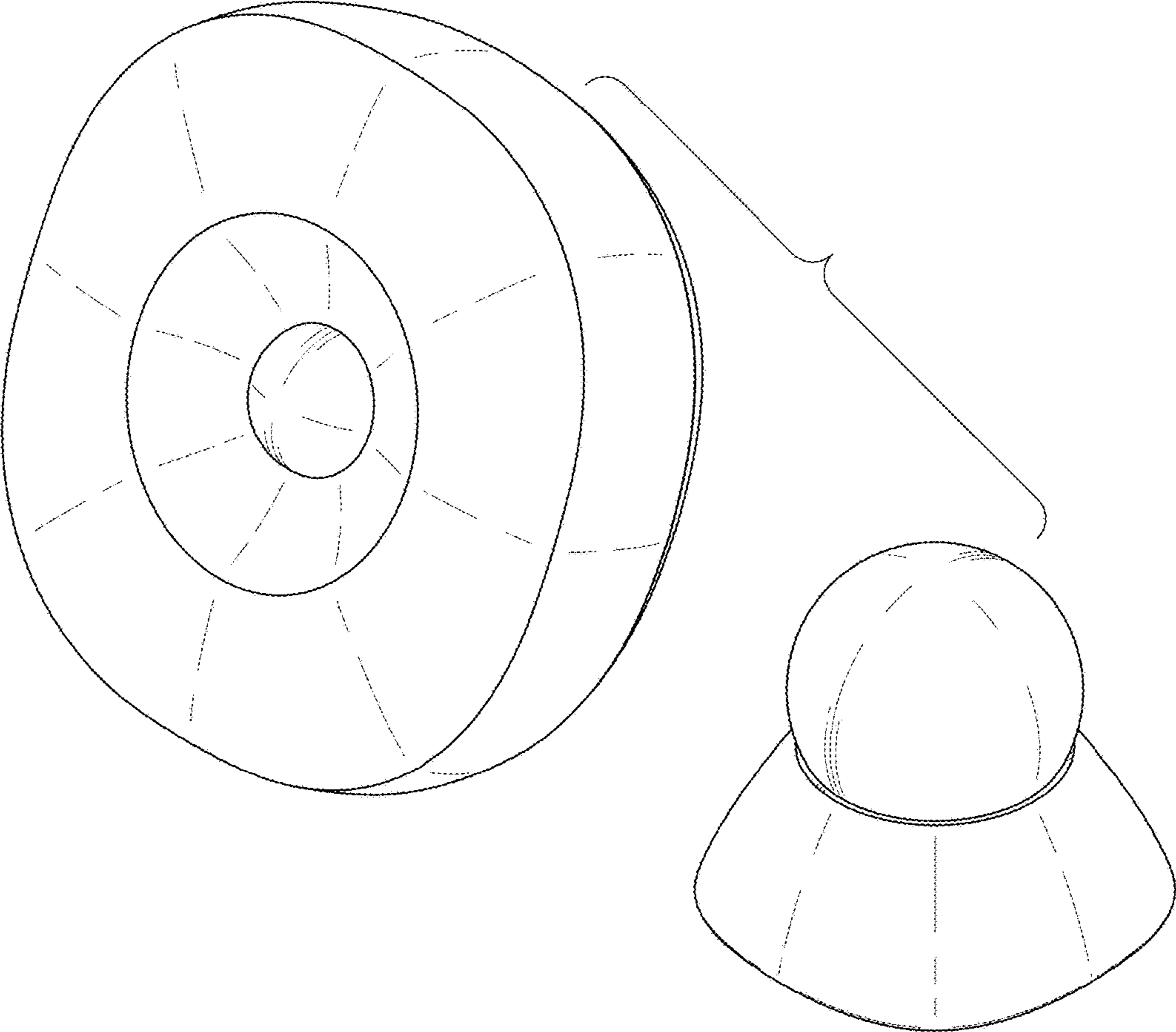


FIG. 10

