



US00D863077S

(12) **United States Design Patent** (10) **Patent No.:** **US D863,077 S**  
**Shao** (45) **Date of Patent:** **\*\* Oct. 15, 2019**

(54) **METAL DETECTOR**

3/265; G01V 3/28; G01V 3/30; G01V 3/32; G01V 3/34; G01V 3/36; G01V 3/38; G01V 3/40

(71) Applicant: **Shenzhen Aukey E-Business Co., Ltd.**,  
Shenzhen (CN)

See application file for complete search history.

(72) Inventor: **Zelong Shao**, Shenzhen (CN)

(56) **References Cited**

(73) Assignee: **Shenzhen Aukey E-Business Co., Ltd.**,  
Shenzhen (CN)

U.S. PATENT DOCUMENTS

(\*\*) Term: **15 Years**

D496,292 S \* 9/2004 Sowers ..... D10/47  
D844,462 S \* 4/2019 Griffin ..... D10/47  
D846,411 S \* 4/2019 Zhang ..... D10/47

(21) Appl. No.: **29/660,570**

\* cited by examiner

(22) Filed: **Aug. 21, 2018**

*Primary Examiner* — Antoine Duval Davis

(51) **LOC (12) Cl.** ..... **10-04**

(74) *Attorney, Agent, or Firm* — Jiangip LLC; Yanling Jiang

(52) **U.S. Cl.**  
USPC ..... **D10/47**

(57) **CLAIM**

The ornamental design for metal detector, as shown and described.

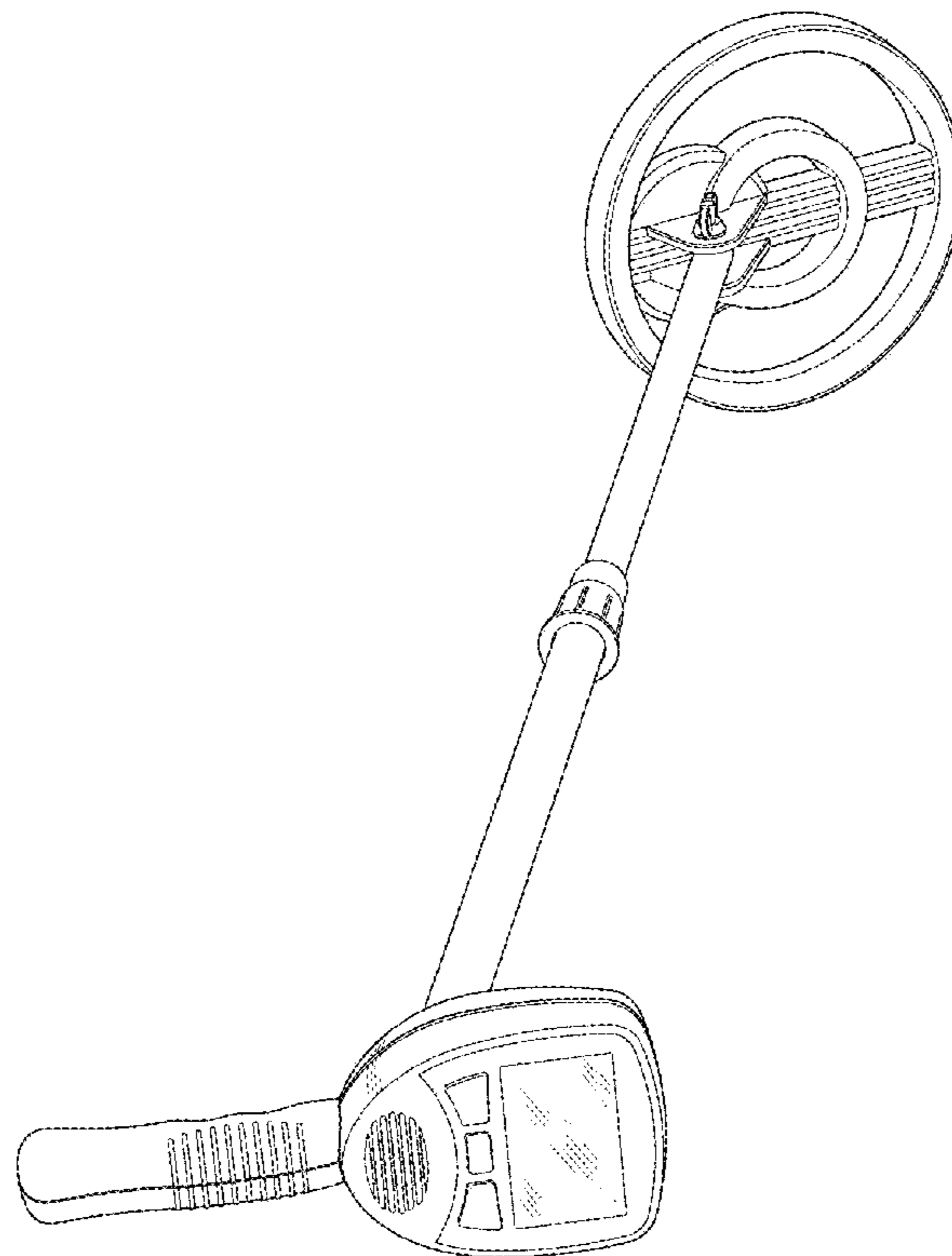
(58) **Field of Classification Search**  
USPC ..... D10/47, 78

**DESCRIPTION**

CPC ... G01V 3/00; G01V 3/02; G01V 3/04; G01V 3/06; G01V 3/08; G01V 3/081; G01V 3/082; G01V 3/083; G01V 2003/084; G01V 2003/085; G01V 2003/086; G01V 3/087; G01V 3/088; G01V 3/10; G01V 3/101; G01V 3/102; G01V 3/104; G01V 3/105; G01V 3/107; G01V 3/108; G01V 3/12; G01V 3/14; G01V 3/15; G01V 3/16; G01V 3/165; G01V 3/17; G01V 3/175; G01V 3/18; G01V 3/20; G01V 3/22; G01V 3/24; G01V 3/26; G01V

FIG. 1 is a top right perspective view showing metal detector, showing my new design;  
FIG. 2 is a front elevation view thereof;  
FIG. 3 is a rear elevation view thereof;  
FIG. 4 is a top plan view thereof;  
FIG. 5 is a bottom plan view thereof;  
FIG. 6 is a side view thereof; and,  
FIG. 7 is an opposite side view thereof.

**1 Claim, 7 Drawing Sheets**



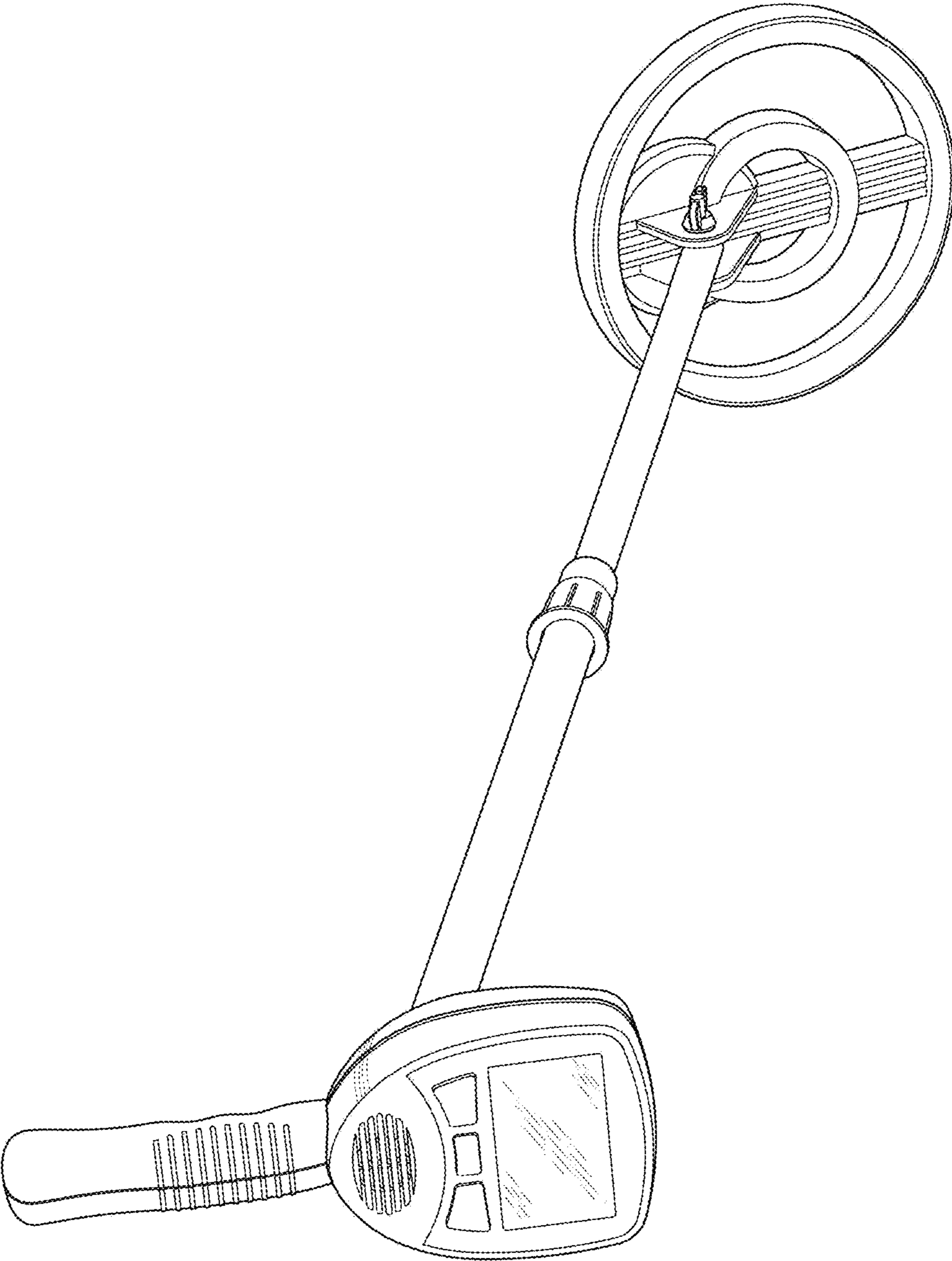


Fig. 1

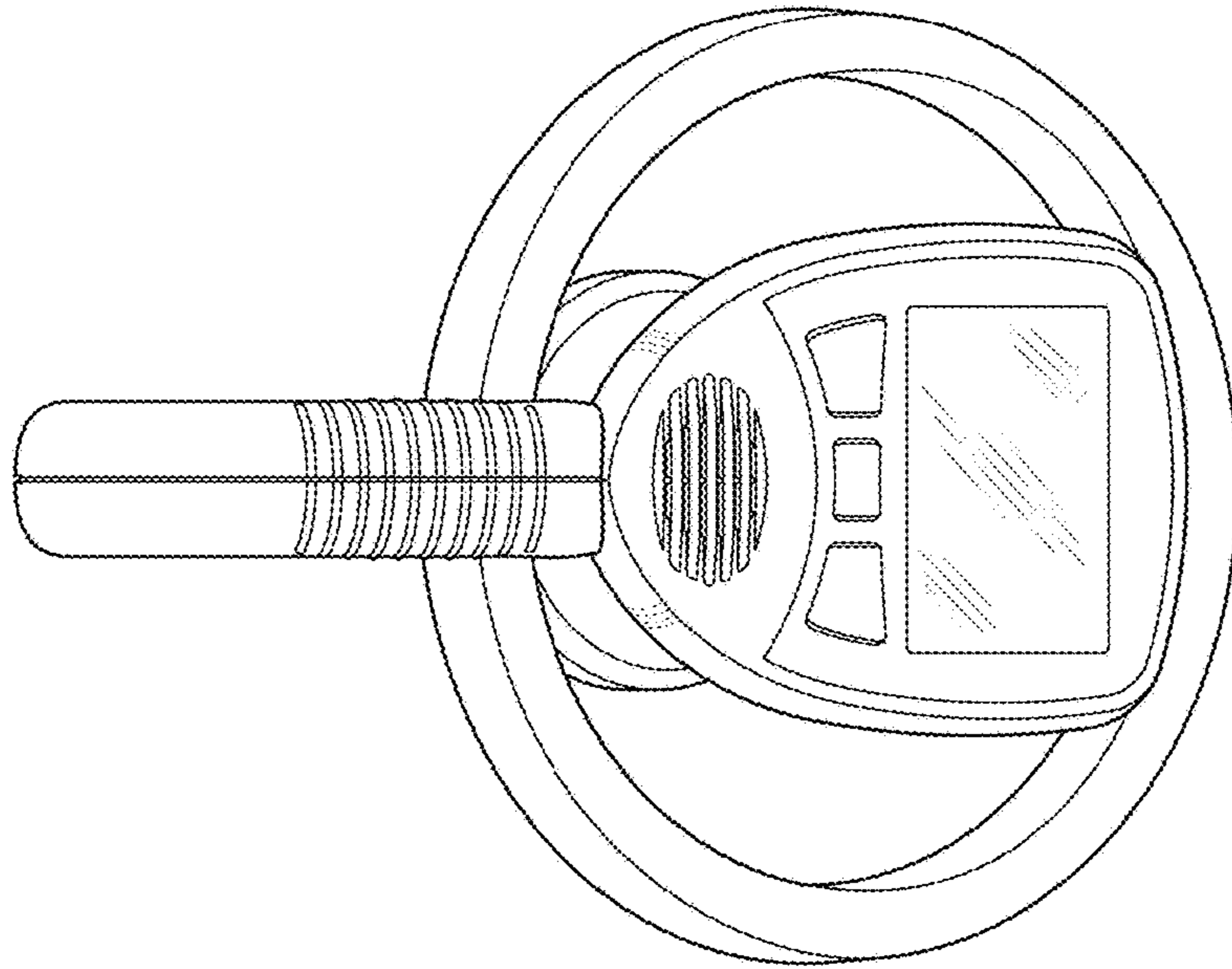


Fig. 2

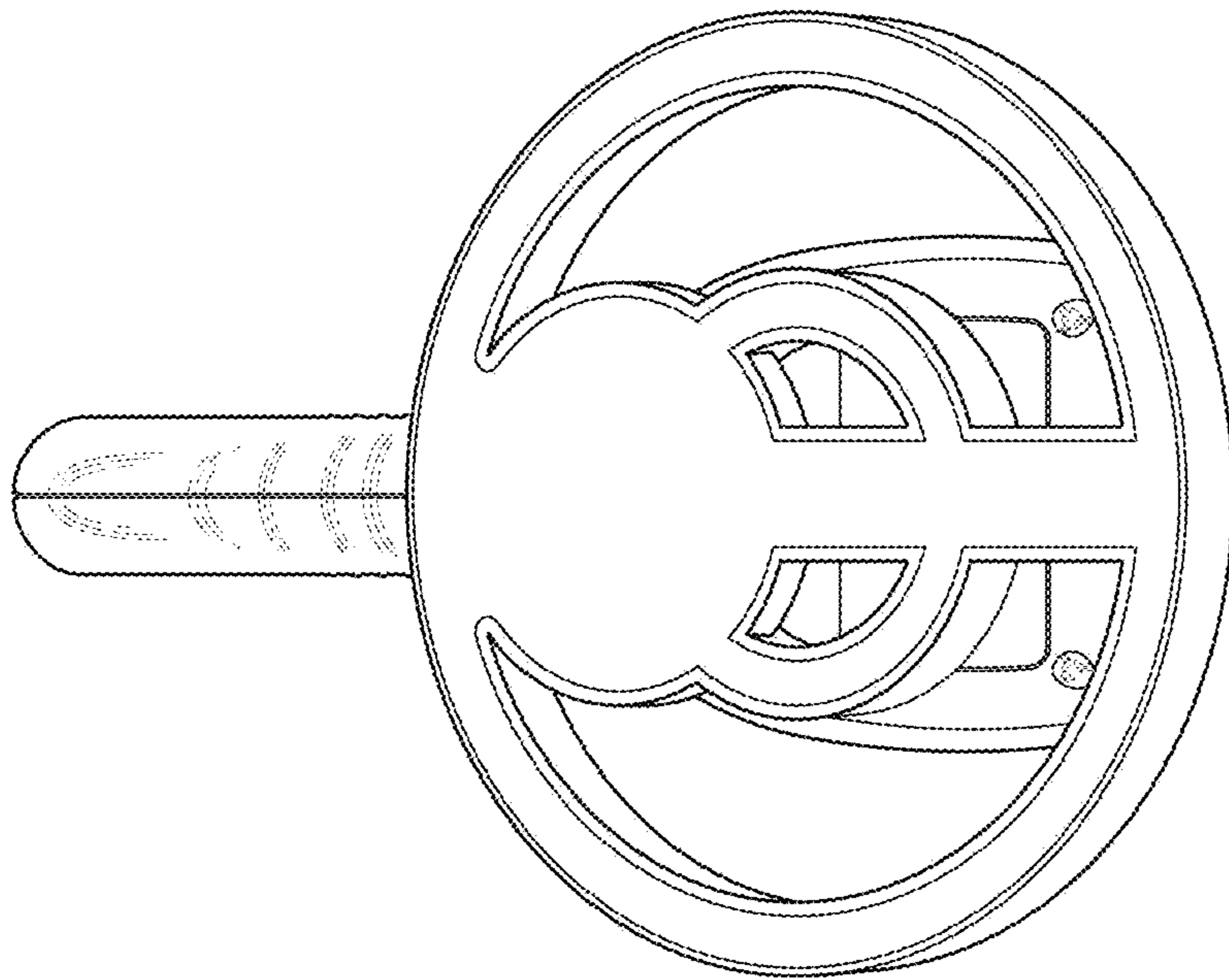


Fig. 3

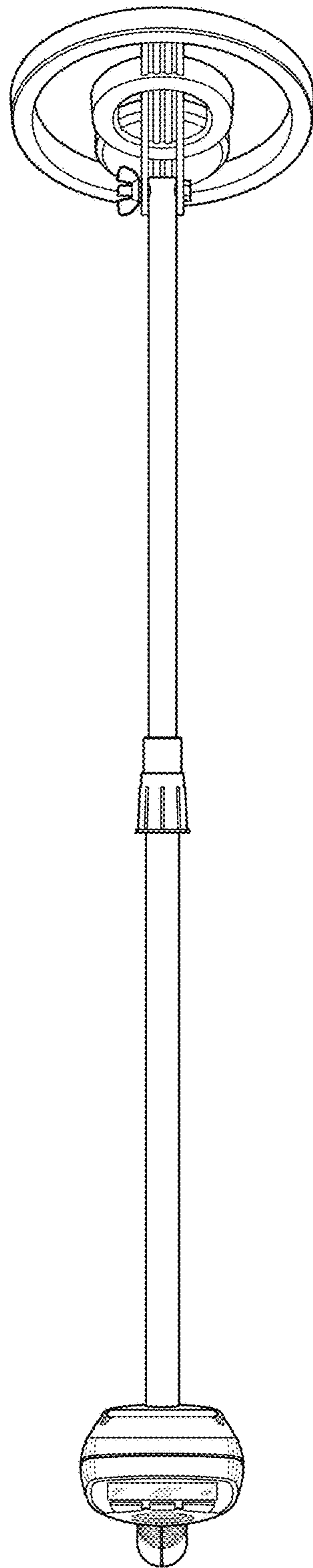


Fig. 4

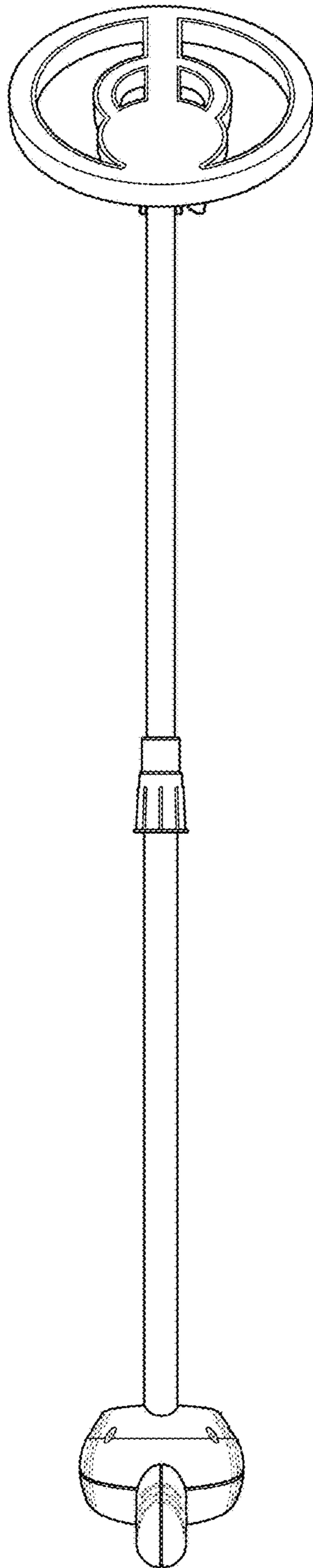


Fig. 5

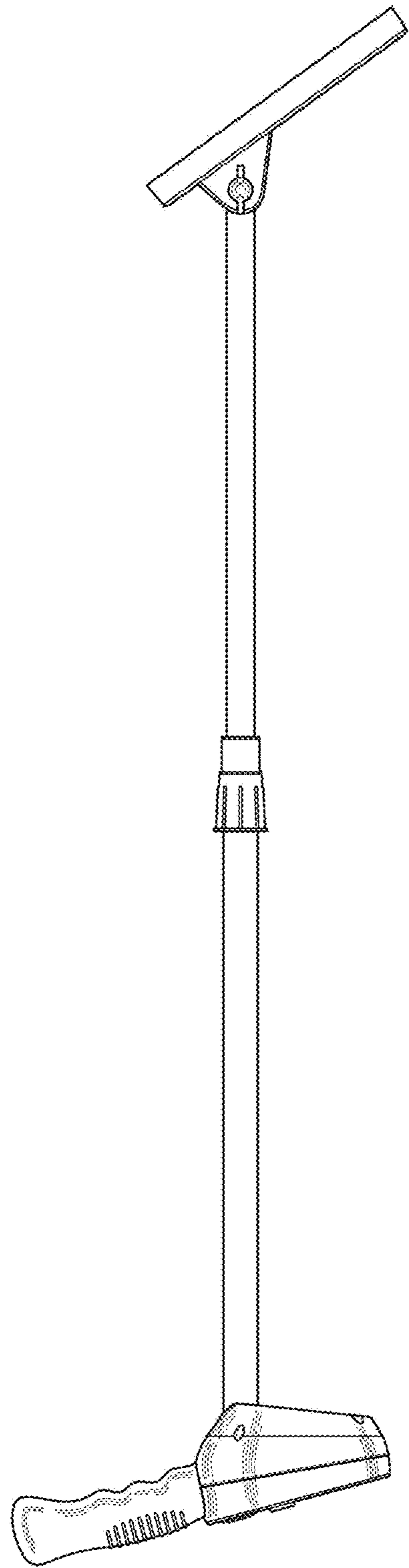


Fig. 6

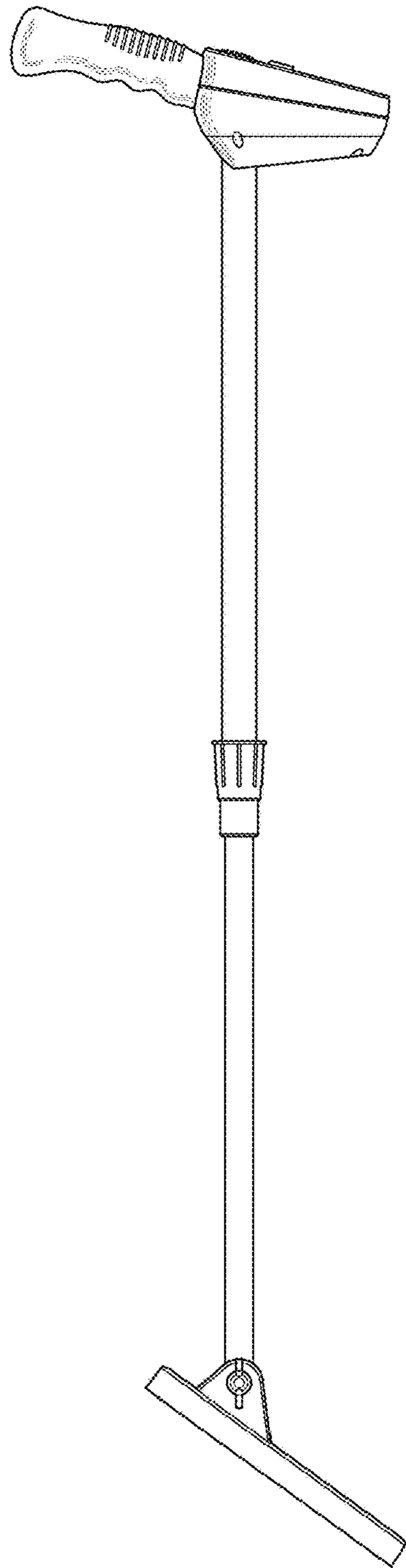


Fig. 7