

US00D863067S

(12) **United States Design Patent** (10) **Patent No.:** **US D863,067 S**
Recchia (45) **Date of Patent:** **** Oct. 15, 2019**

(54) **PACKAGING FOR TOOTHFLOSSER AND MINT**

(71) Applicant: **Dona Recchia**, West Hills, CA (US)

(72) Inventor: **Dona Recchia**, West Hills, CA (US)

(**) Term: **15 Years**

(21) Appl. No.: **29/657,475**

(22) Filed: **Jul. 23, 2018**

(51) **LOC (12) Cl.** **09-01**

(52) **U.S. Cl.**
USPC **D9/722**

(58) **Field of Classification Search**

USPC D9/414, 415, 416, 715, 722, 732, 737,
D9/756, 759, 761; D28/65
CPC B65D 75/327; B65D 2585/56;
B65D 75/367; B65D 75/32; B65D
2575/3227; B65D 83/0445; B65D
2575/367; B65D 2575/3245; B65D 83/04;
B65D 75/22; B65D 75/5855; B65D
75/323; B65D 2543/00296; B65D 5/4204;
B65D 25/04; B65D 75/52; B65D 75/585;
B65D 73/0035; B65D 73/0085; B65D
75/58; B65D 2543/00194; B65D 1/36;
B65D 73/0078; B65D 2543/00805; B65D
73/0042; B65D 75/225; B65D 77/30;
B65D 2543/00092; B65D 75/522; B65D
1/0223

See application file for complete search history.

(56) **References Cited**

U.S. PATENT DOCUMENTS

D199,032 S *	9/1964	Roskam	D9/722
D244,429 S *	5/1977	Gardner	D9/700
D275,180 S *	8/1984	Bakus	D9/722
D355,593 S *	2/1995	Bell	D7/635
D524,152 S *	7/2006	Recchia	D9/415
D577,991 S *	10/2008	Chen	D9/415

D584,607 S *	1/2009	Ajootian	D9/415
D610,747 S *	2/2010	Brownell	D28/65
8,181,786 B1 *	5/2012	Alas	A61C 15/00 206/570
D700,065 S *	2/2014	Owens	D9/707
D715,636 S *	10/2014	Cira	D9/415
D740,689 S *	10/2015	Ronga	D9/722
D802,218 S *	11/2017	Sugawara	D28/65
D833,075 S *	11/2018	Sugawara	D28/65
D838,910 S *	1/2019	Martone	D28/65
2010/0086496 A1 *	4/2010	Lafferty	A61C 15/02 424/48
2011/0266189 A1 *	11/2011	Tom	B32B 15/08 206/531
2012/0298545 A1 *	11/2012	Denzler	B65D 73/0057 206/461
2012/0325690 A1 *	12/2012	Brodkin	B65D 73/0028 206/63.5

(Continued)

Primary Examiner — Lauren R Calve

(74) *Attorney, Agent, or Firm* — Kelly & Kelley, LLP

(57) **CLAIM**

The ornamental design for a packaging for toothflosser and mint, as shown.

DESCRIPTION

FIG. 1 is a top, front and right-side perspective view of packaging for toothflosser and mint embodying my new design;

FIG. 2 is a top plan view thereof;

FIG. 3 is a bottom plan view thereof;

FIG. 4 is a front elevational view thereof;

FIG. 5 is a rear elevational view thereof;

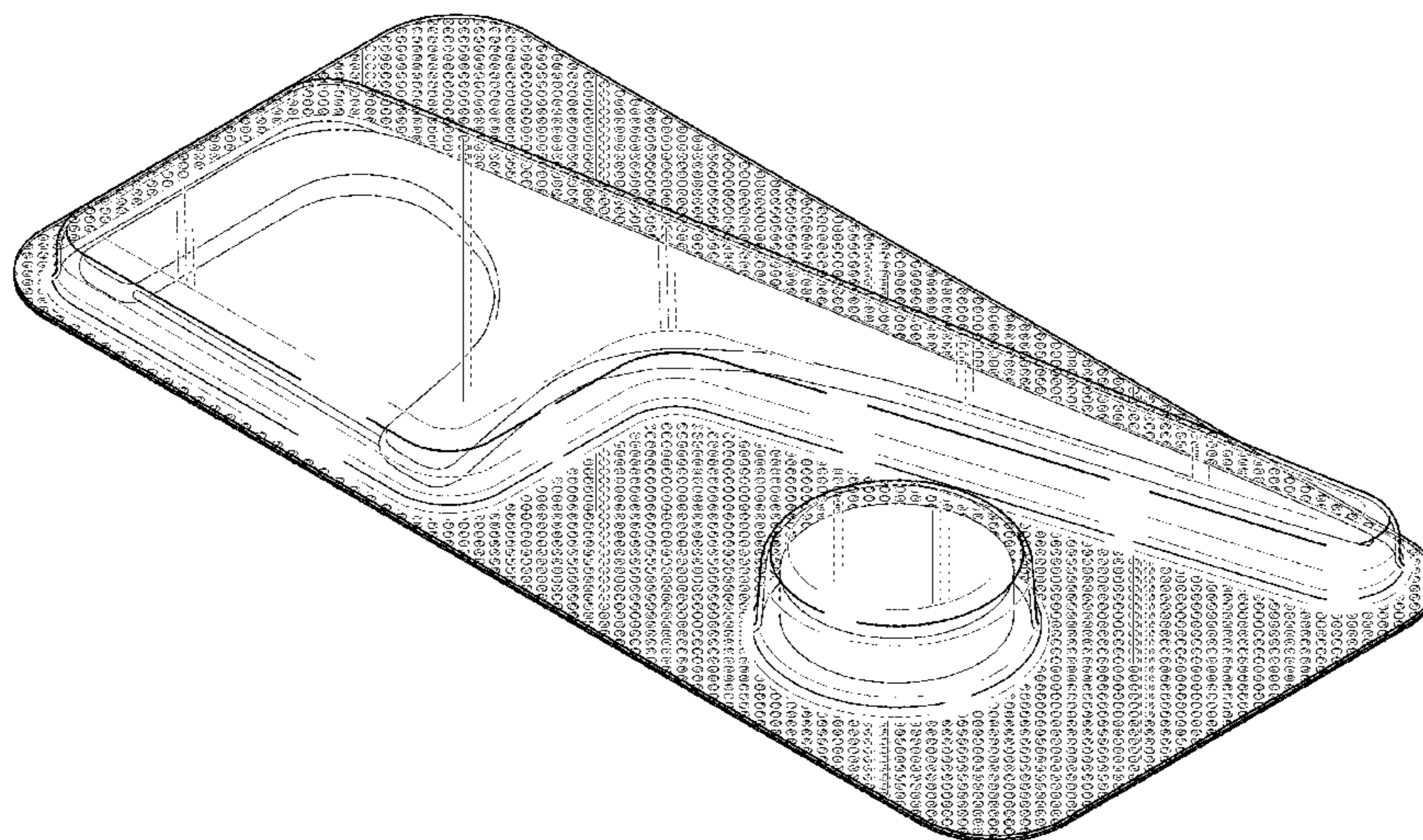
FIG. 6 is a left-side elevational view thereof;

FIG. 7 is a right-side elevational view thereof;

FIG. 8 is a top, front and right-side perspective view of packaging for toothflosser and mint according to a second embodiment; and,

FIG. 9 is a top plan view of the embodiment of FIG. 8.

1 Claim, 7 Drawing Sheets



(56)

References Cited

U.S. PATENT DOCUMENTS

2014/0014543 A1* 1/2014 Hohlbein A46B 11/0003
206/368

* cited by examiner

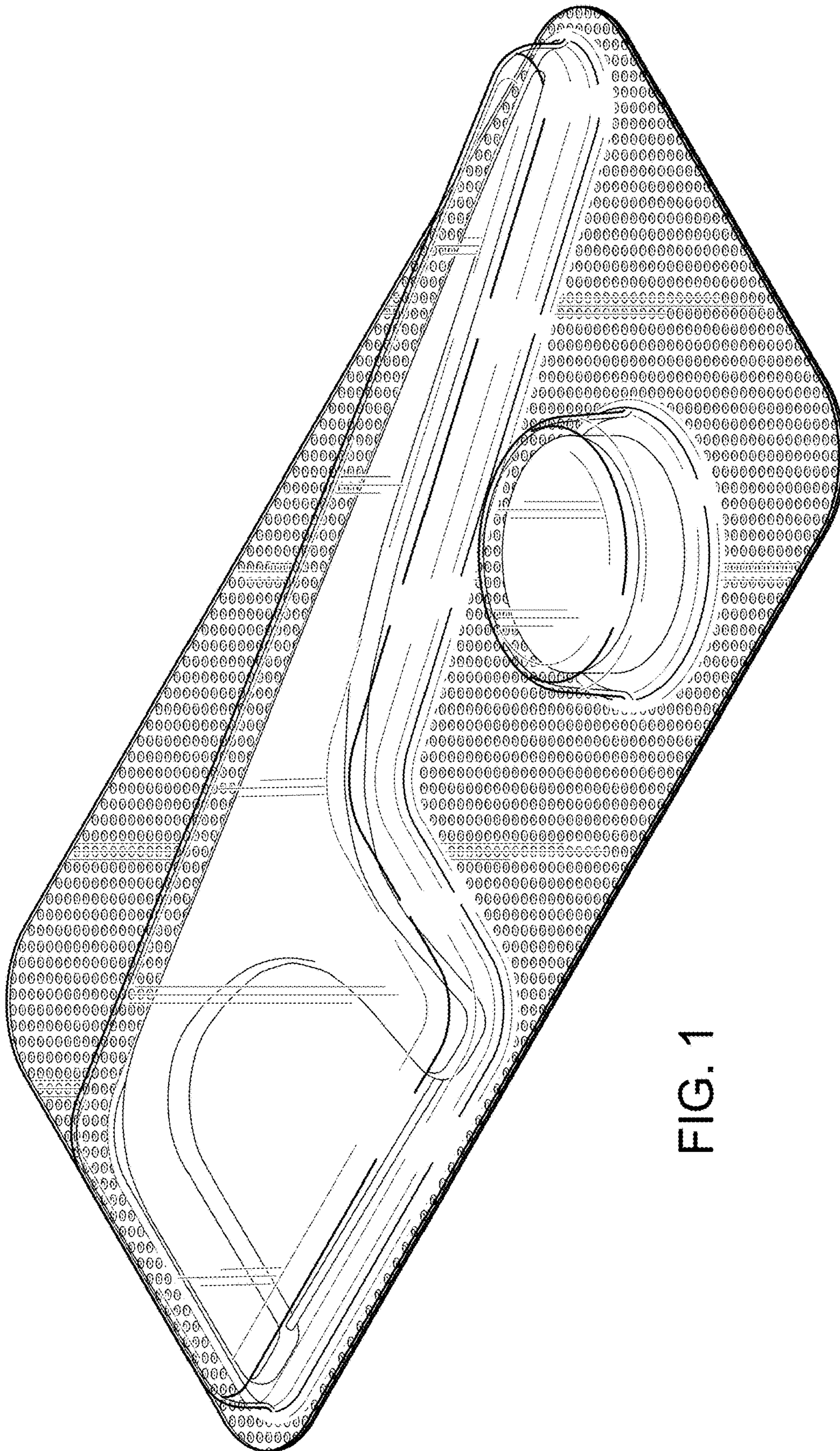


FIG. 1

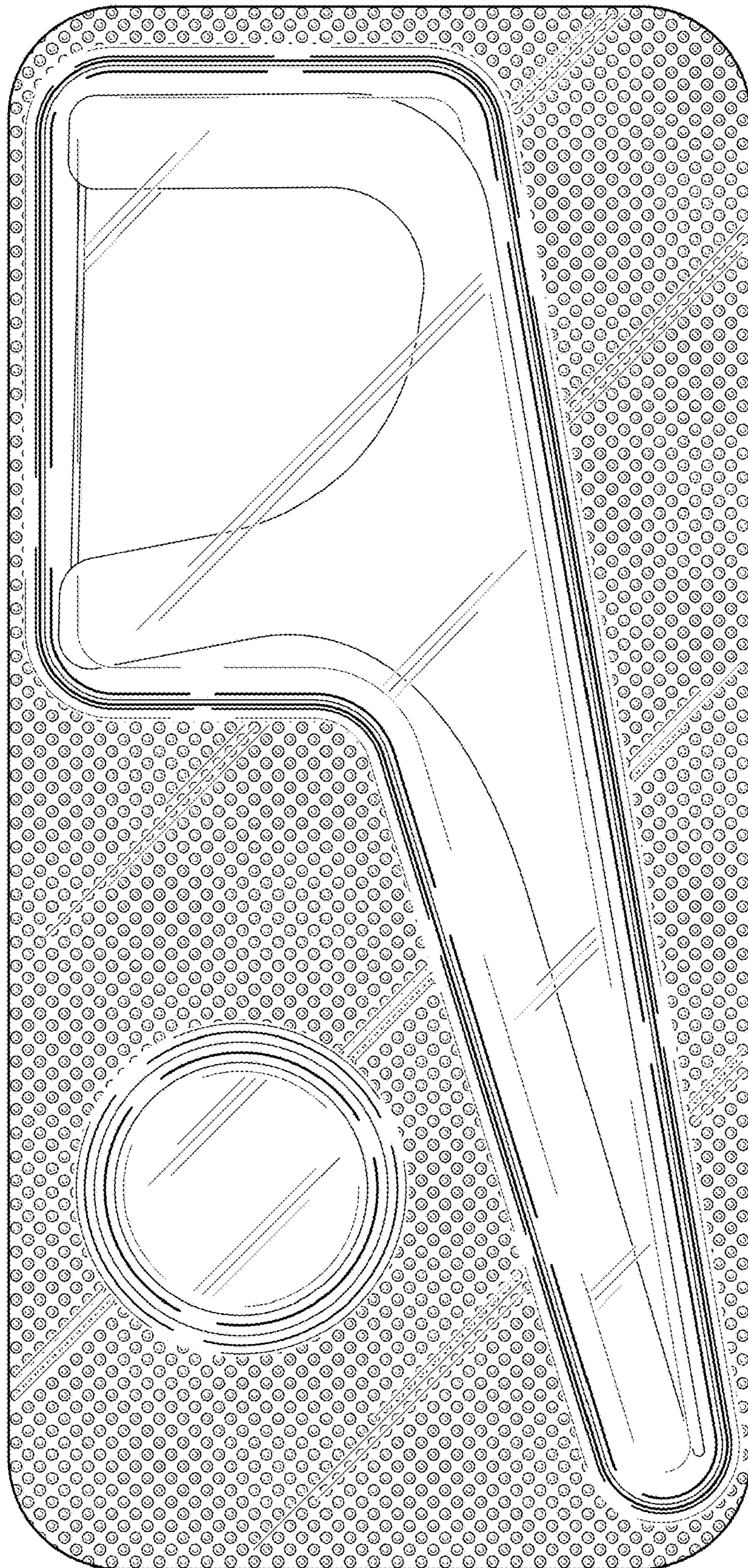


FIG. 2

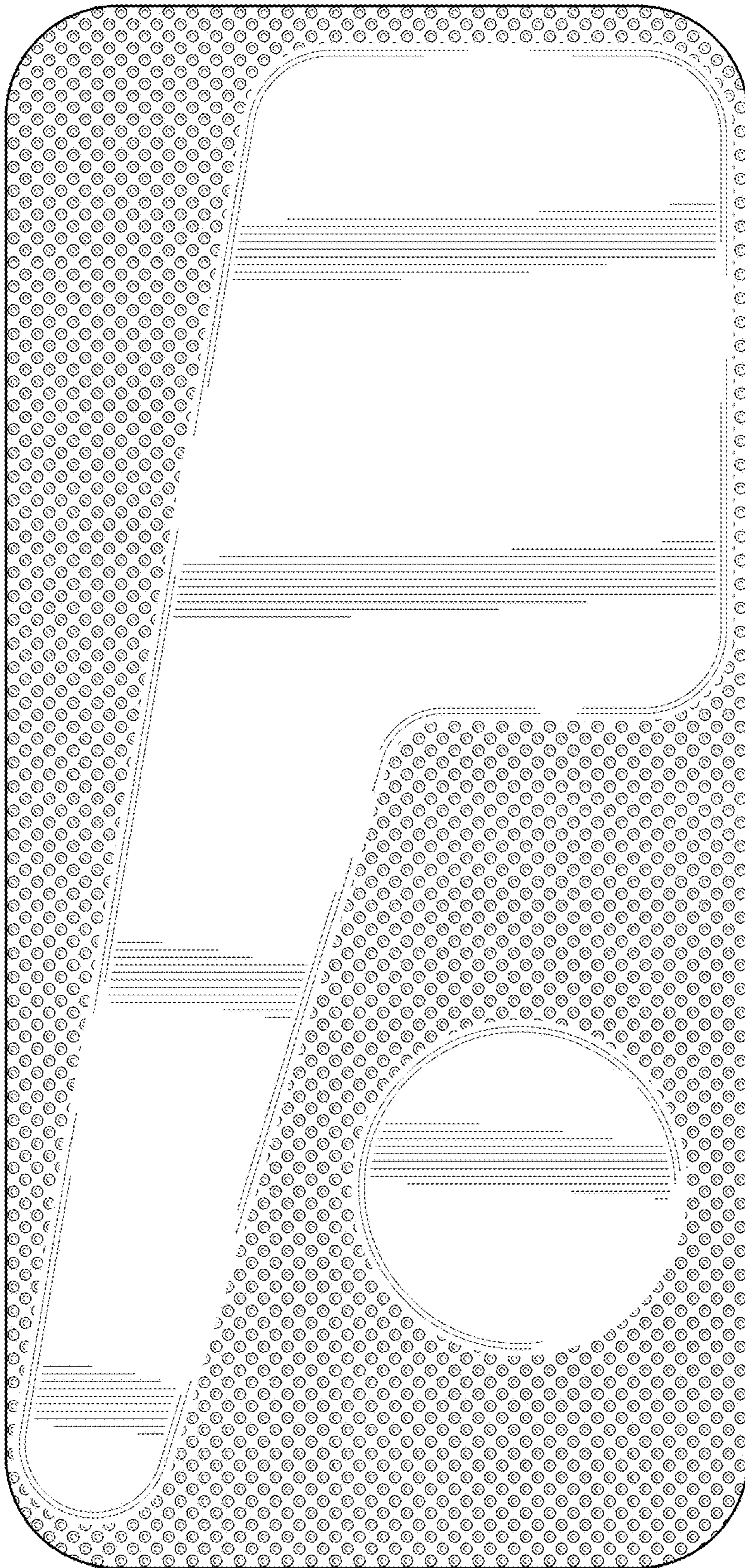


FIG. 3

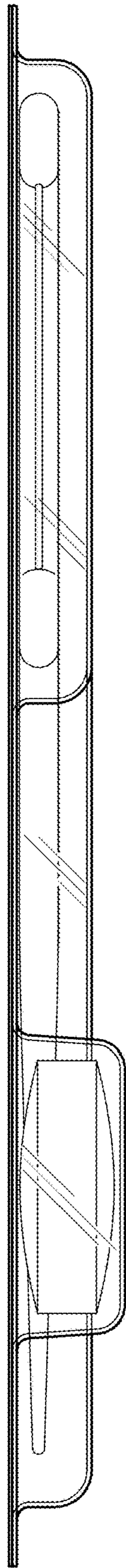


FIG. 4

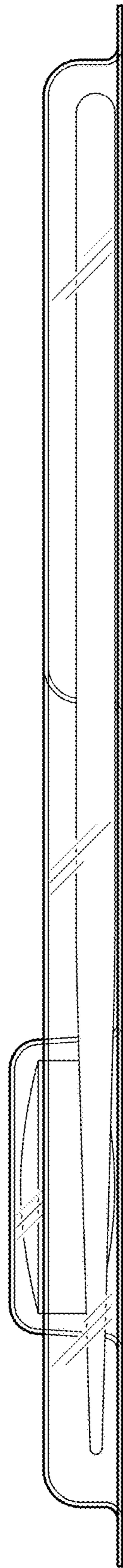


FIG. 5

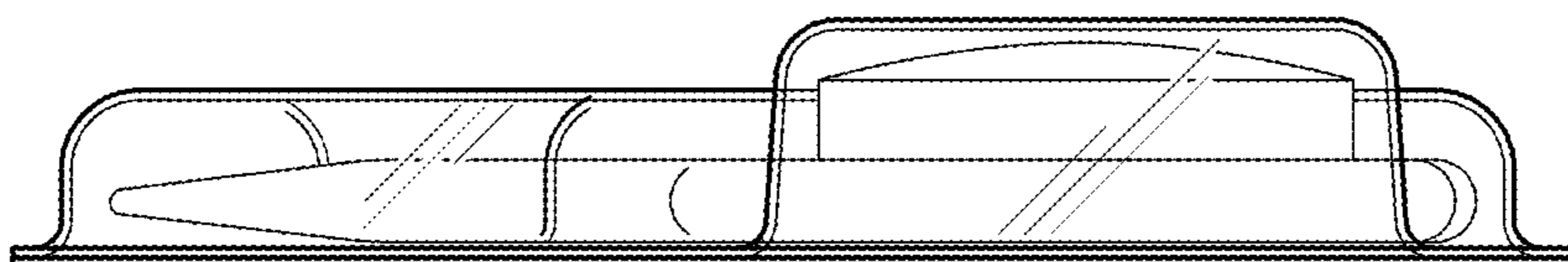


FIG. 6

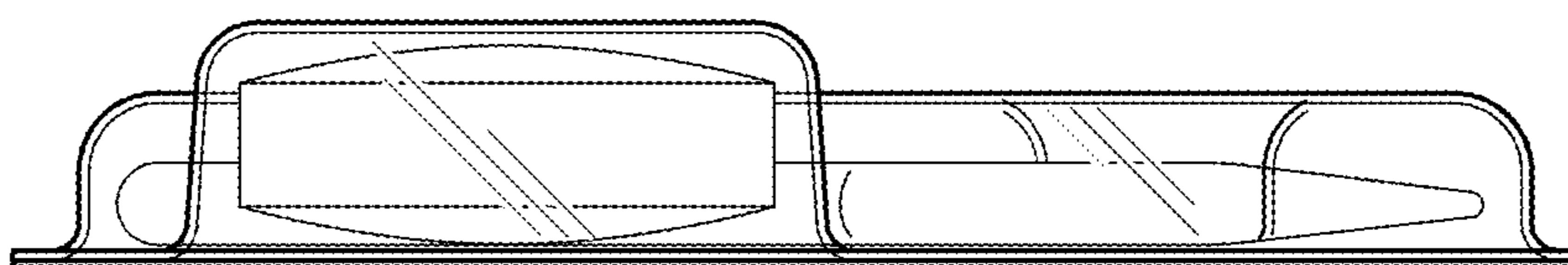


FIG. 7

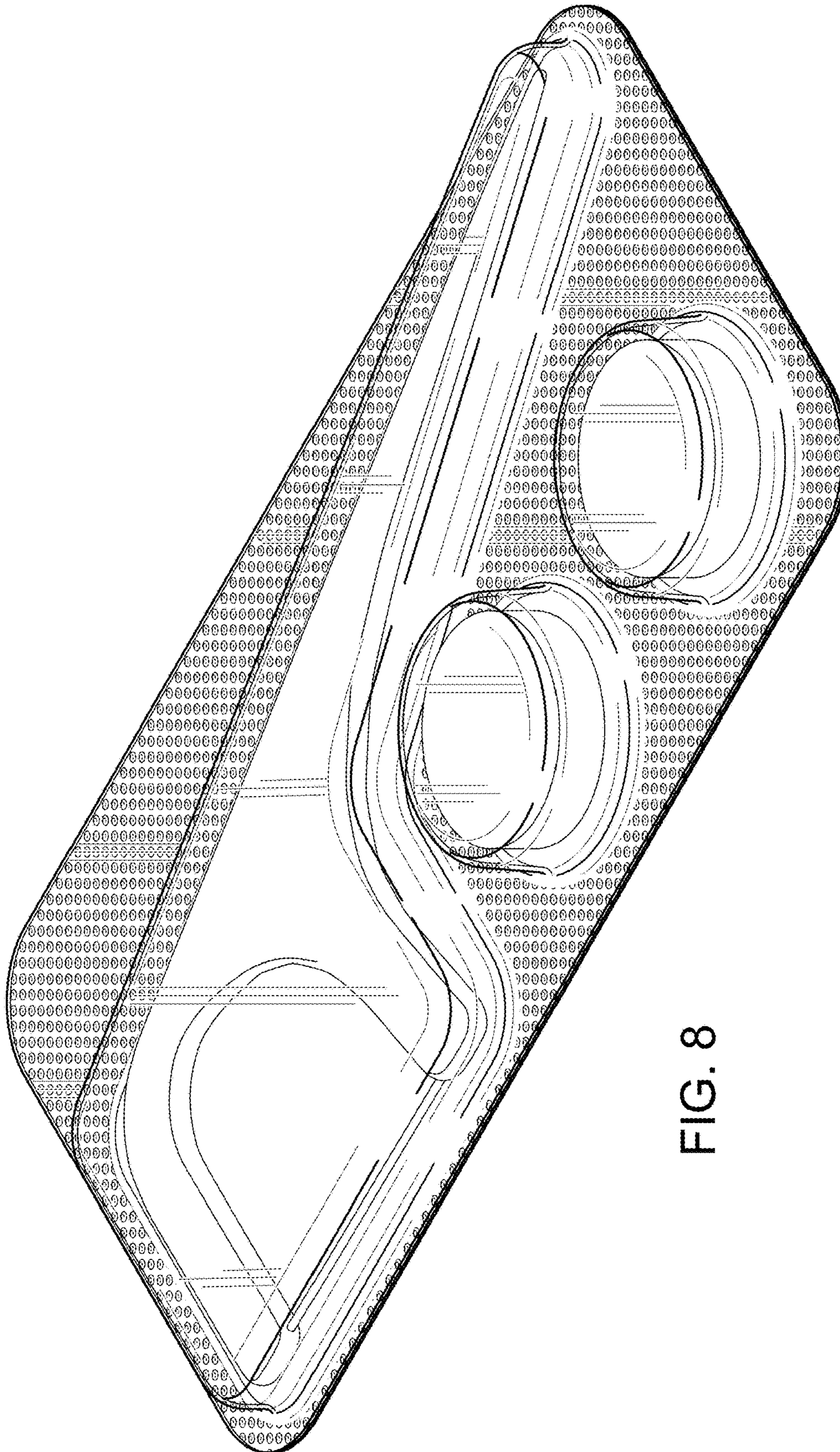


FIG. 8

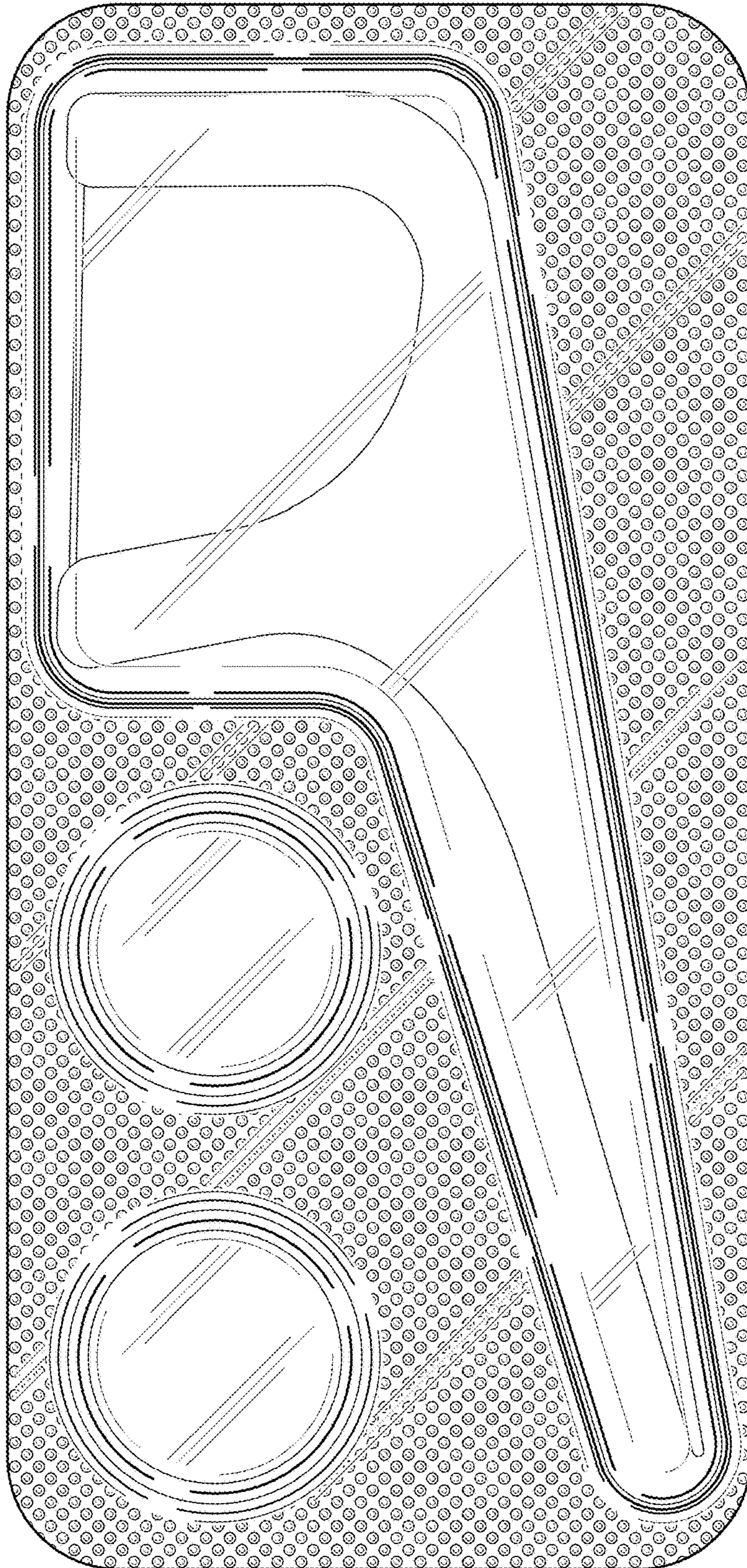


FIG. 9