



US00D863066S

(12) **United States Design Patent**
Fraser

(10) **Patent No.:** **US D863,066 S**
(45) **Date of Patent:** **** Oct. 15, 2019**

- (54) **KNIFE HOLDER**
- (71) Applicant: **Matthew John Fraser**, New South Wales (AU)
- (72) Inventor: **Matthew John Fraser**, New South Wales (AU)
- (**) Term: **15 Years**
- (21) Appl. No.: **29/654,881**
- (22) Filed: **Jun. 28, 2018**
- (51) **LOC (12) Cl.** **09-03**
- (52) **U.S. Cl.**
USPC **D9/721**
- (58) **Field of Classification Search**
USPC D9/414, 430, 433, 715, 721; D7/601, D7/637; D6/682, 682.1, 682.3; D3/201, D3/269
CPC B65D 42/4204; B65D 85/00; B65D 85/20; B65D 85/54; B65D 2571/0066; B65D 81/113; B65D 81/133; B65D 73/0042; B65D 73/0078; B65D 73/0085; B65D 77/02; B65D 77/0413; B65D 77/0453; B65D 83/0805; B65D 5/5019; B65D 2207/00; B65D 75/04; B65D 75/14; B65D 75/522
See application file for complete search history.

- 3,487,922 A * 1/1970 Peck B65D 73/005 206/349
 - D251,082 S * 2/1979 Petrie D19/20
 - D296,614 S * 7/1988 McGennis D6/629
 - 5,042,657 A * 8/1991 Dunn B65D 5/029 206/326
 - D342,193 S * 12/1993 Smith D7/629
 - 5,417,341 A * 5/1995 Petriekis B65D 5/04 206/495
 - D411,079 S * 6/1999 Graham D7/624.2
 - 5,915,556 A * 6/1999 Simpson B65D 81/05 206/461
 - D419,336 S * 1/2000 Glesser D6/682.3
 - D593,871 S * 6/2009 Schmidt D9/721
 - 8,052,103 B2 * 11/2011 Ferraro G09F 1/14 248/174
 - D662,320 S * 6/2012 De Leo D3/201
- (Continued)

Primary Examiner — Lauren R Calve
(74) *Attorney, Agent, or Firm* — Eric Karich; Karich & Associates

(57) **CLAIM**

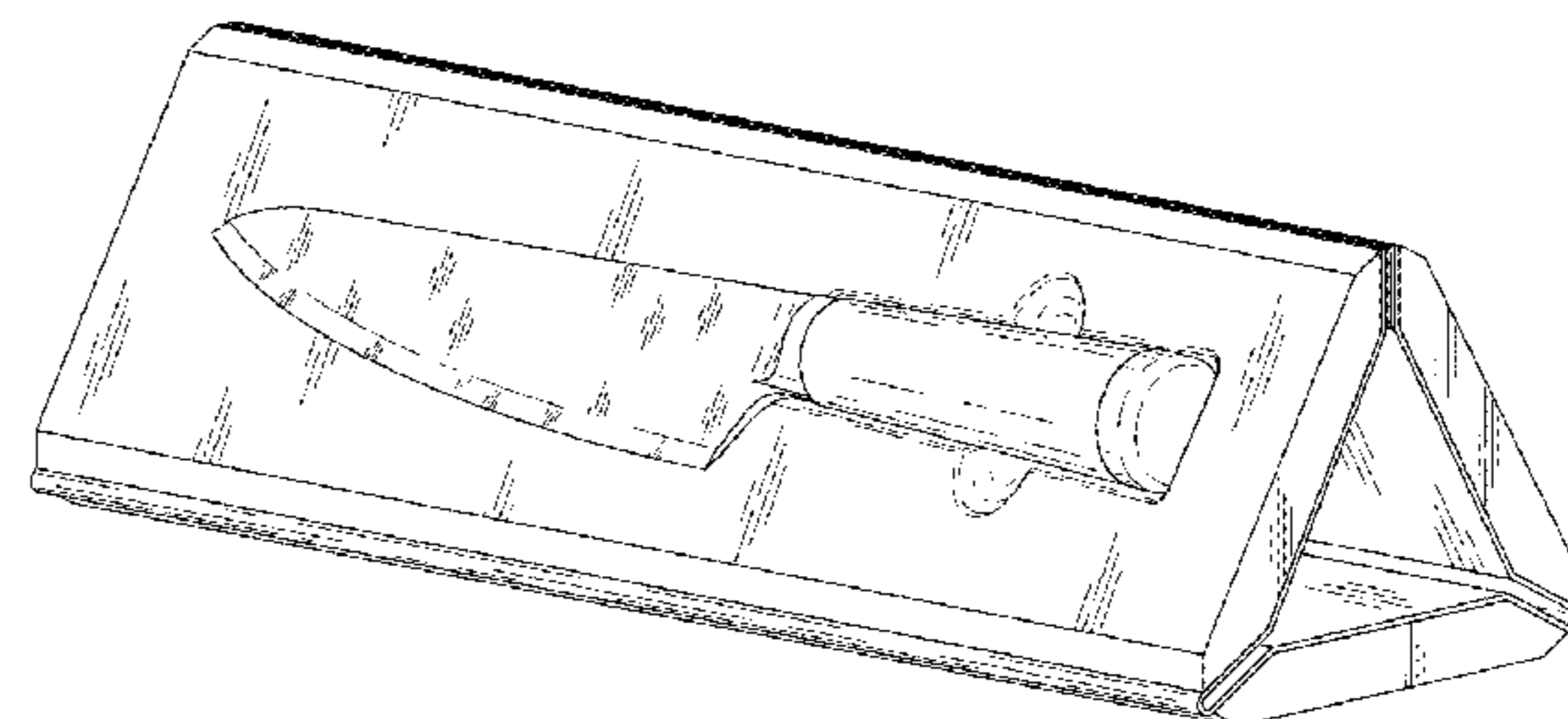
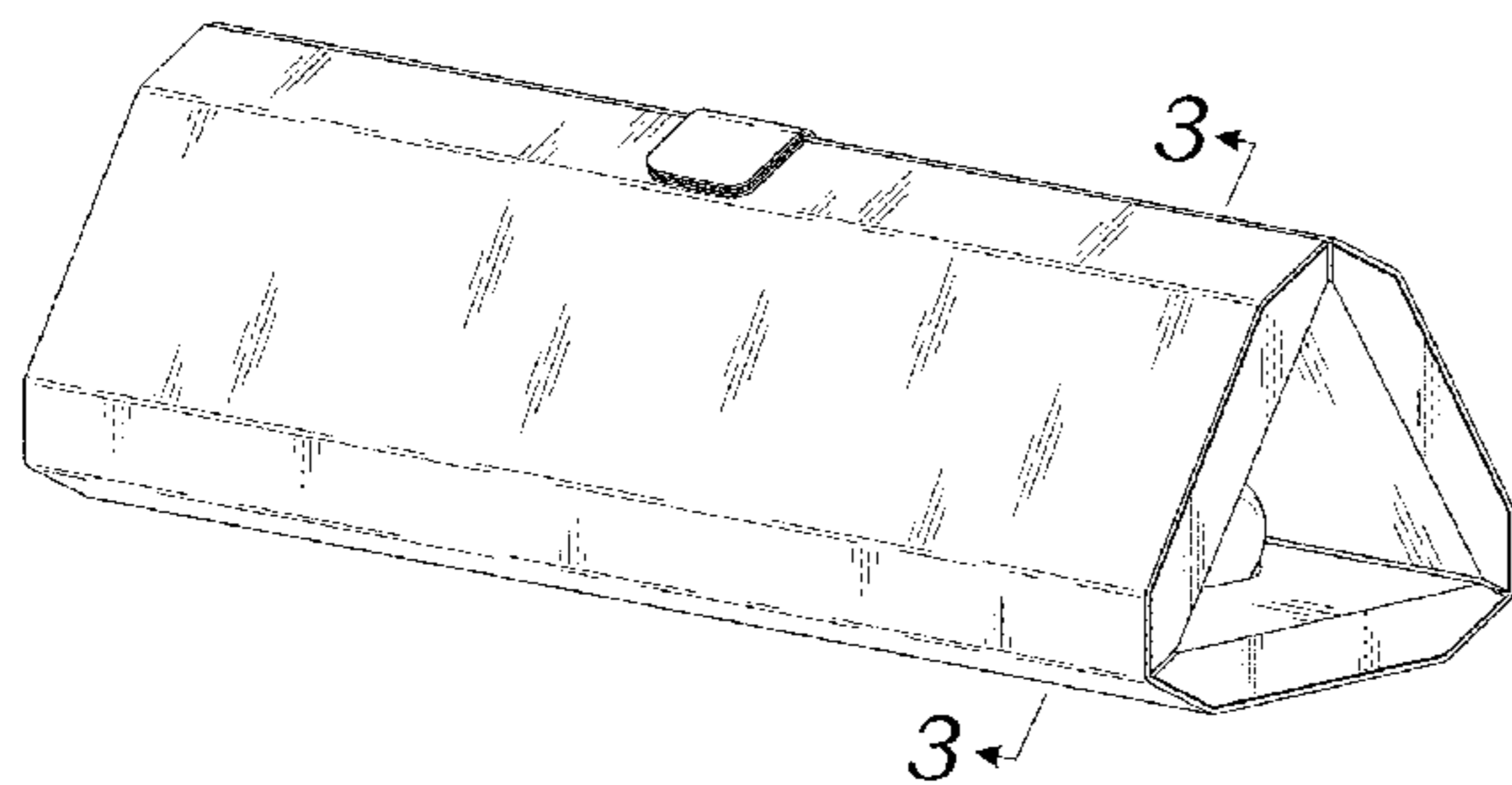
The ornamental design for a knife holder, as shown and described.

DESCRIPTION

FIG. 1 is a front perspective view of a knife holder, showing my new design in a closed configuration; FIG. 2 is a rear perspective view thereof; FIG. 3 is a sectional view thereof taken along line 3-3 in FIG. 1; FIG. 4 is a front perspective view of the knife holder in a display configuration; FIG. 5 is a front elevational view thereof; FIG. 6 is a rear elevational view thereof; FIG. 7 is a left side elevational view thereof; FIG. 8 is a right side elevational view thereof; FIG. 9 is a top plan view thereof; and, FIG. 10 is a bottom plan view thereof.

1 Claim, 3 Drawing Sheets

- (56) **References Cited**
U.S. PATENT DOCUMENTS
1,758,585 A * 5/1930 Riegel B65D 5/0254 229/115
1,897,143 A * 2/1933 Powell B65D 83/0847 206/395
D102,292 S * 12/1936 Sindler 206/733
3,278,020 A * 10/1966 Murphy A47F 7/00 206/481
3,437,193 A * 4/1969 Freeman B65D 71/0066 206/780



(56)

References Cited

U.S. PATENT DOCUMENTS

D683,214 S * 5/2013 McAdam D9/430
8,459,190 B2 * 6/2013 Erdie B65D 5/0254
108/51.3
D711,253 S * 8/2014 Rathbone D9/433
D773,903 S * 12/2016 Shah D7/641
D781,141 S * 3/2017 Phillips D9/432
2003/0015532 A1 * 1/2003 Rickman B25H 3/006
220/212
2014/0033888 A1 * 2/2014 Walter G01N 1/06
83/698.11

* cited by examiner

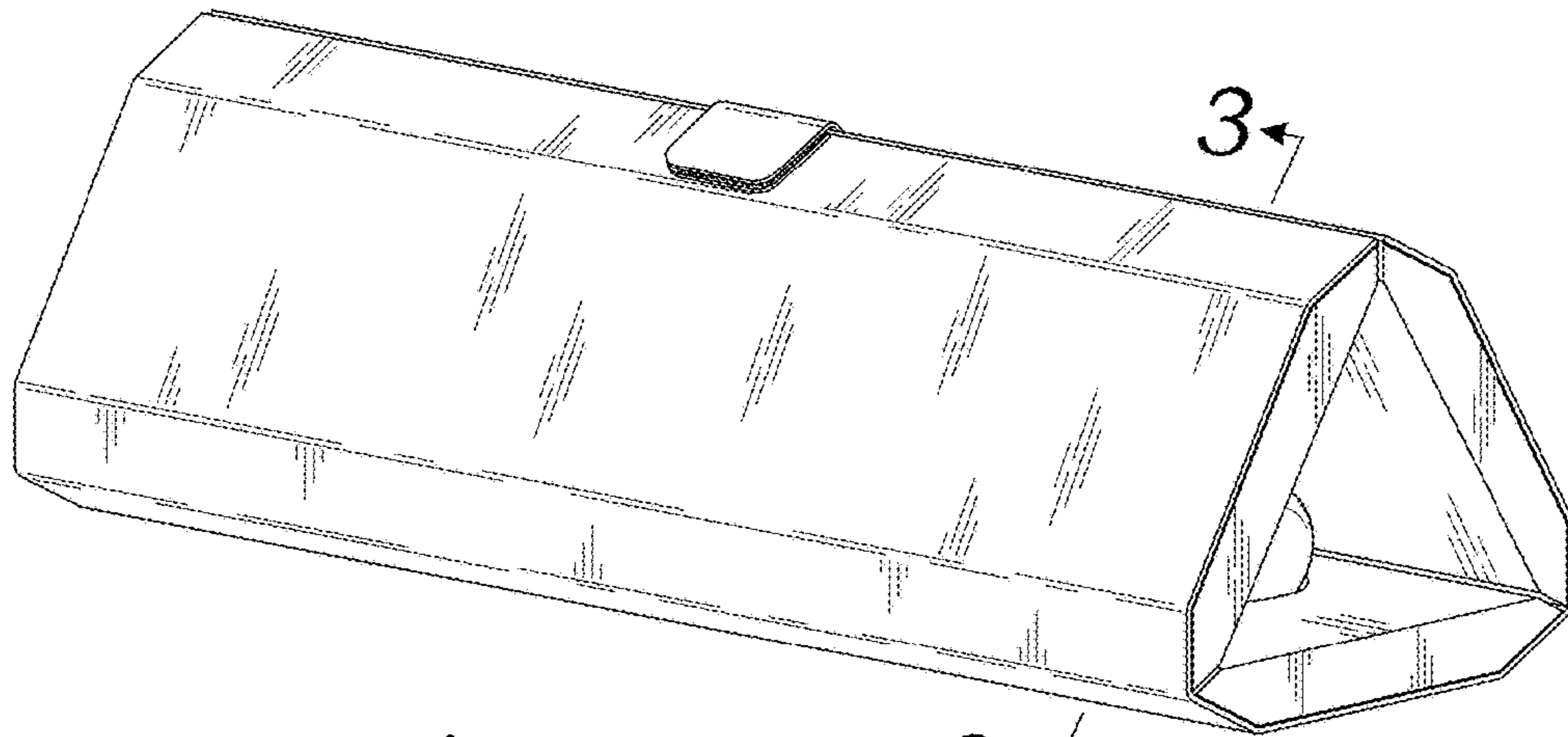


Fig. 1

3 ←

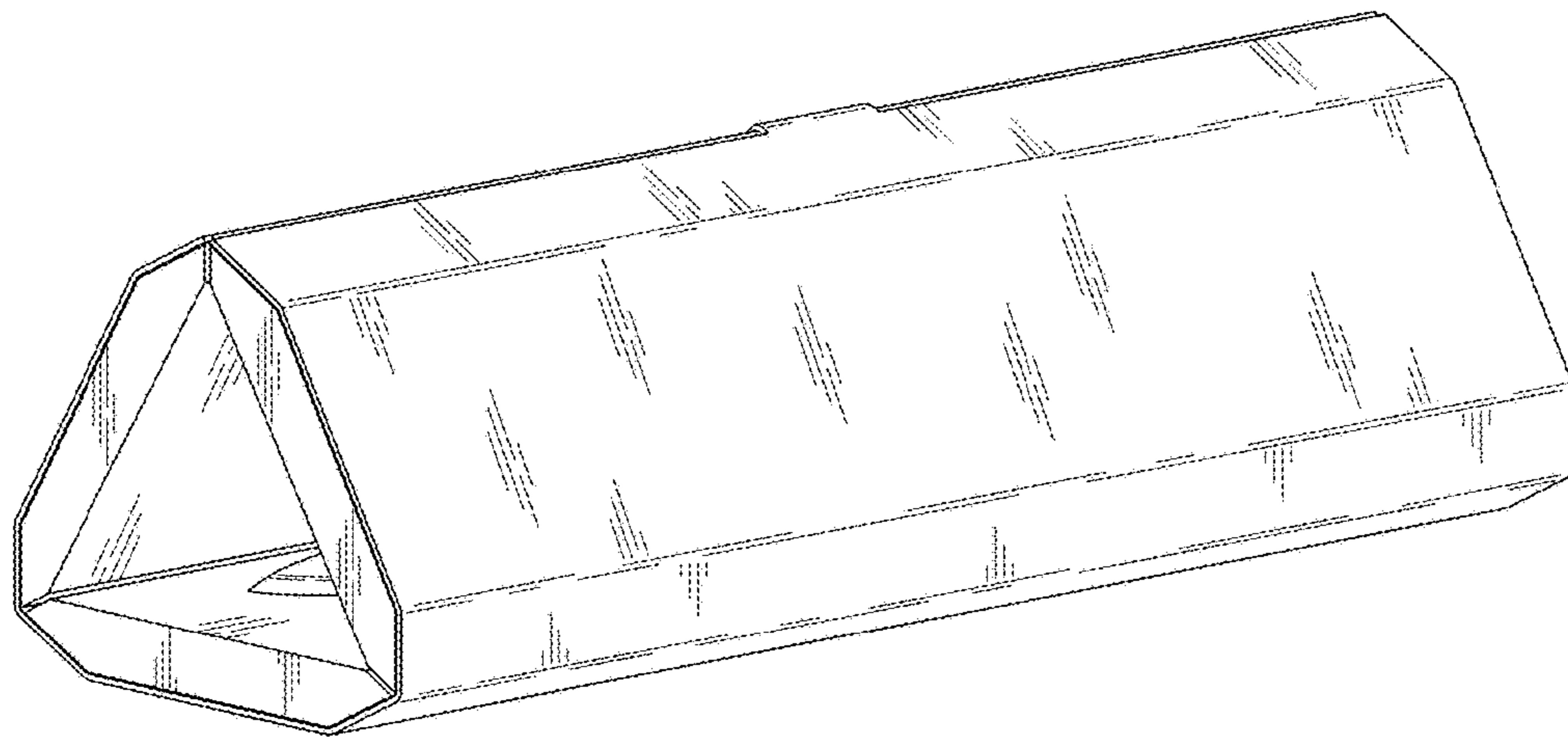


Fig. 2

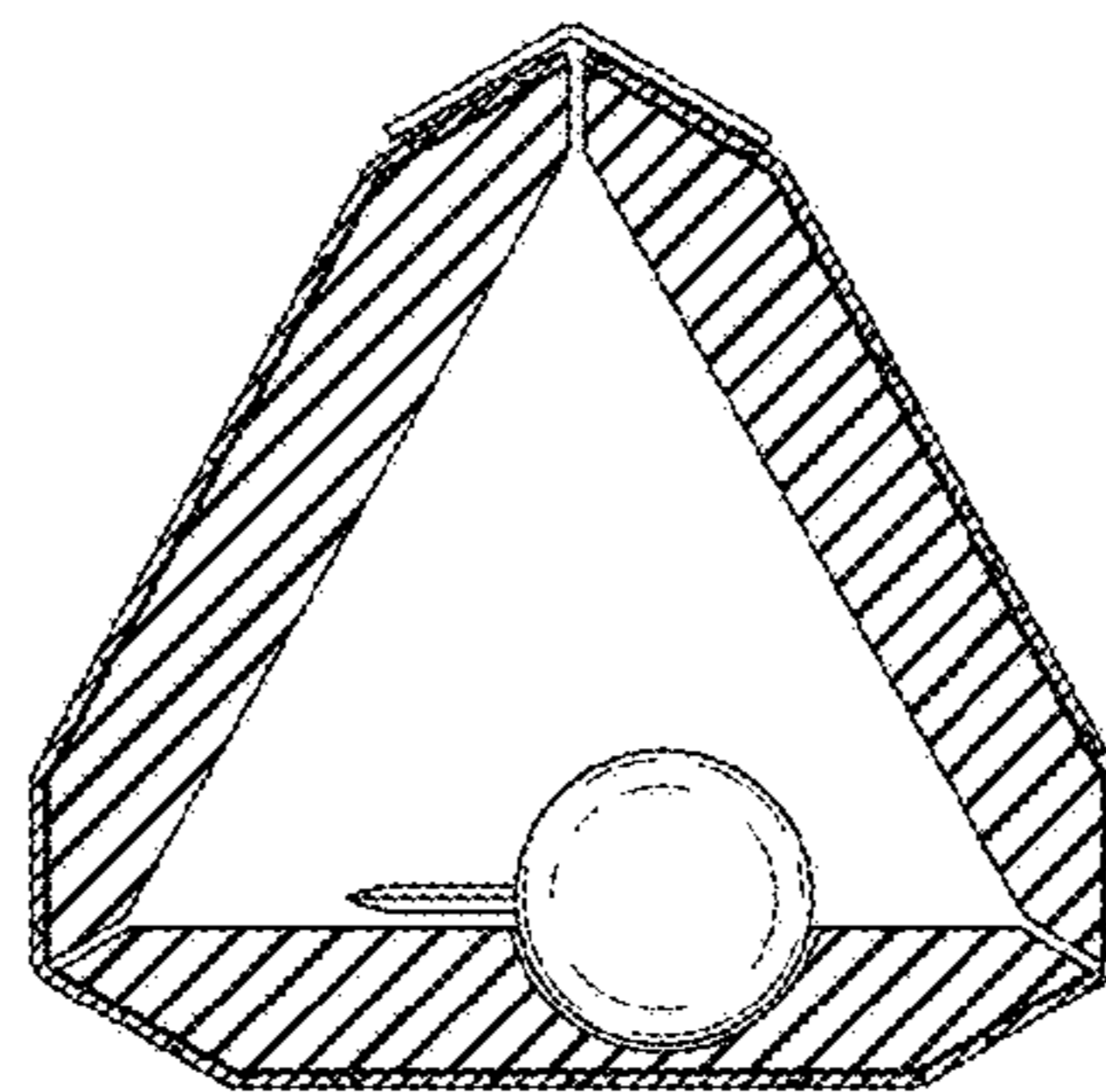


Fig. 3

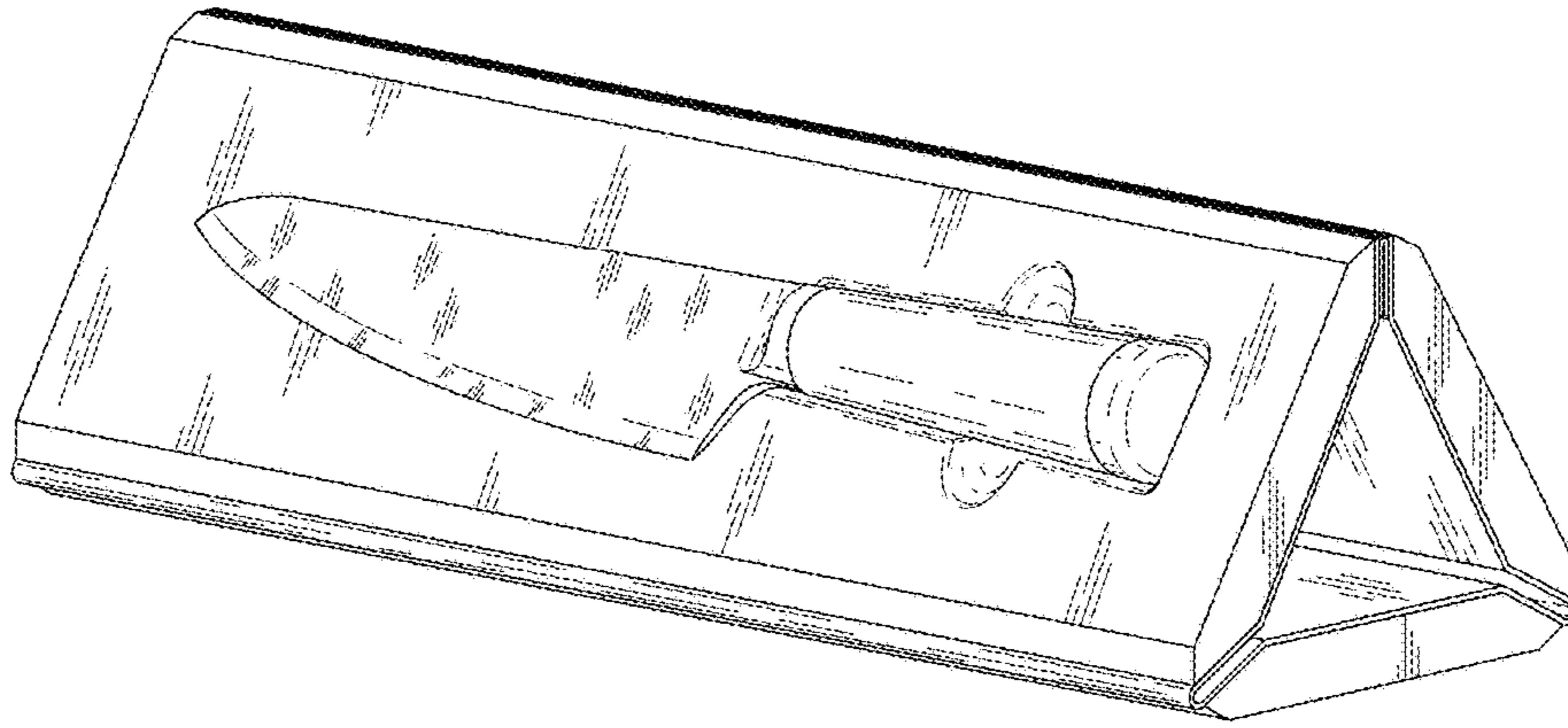


Fig. 4

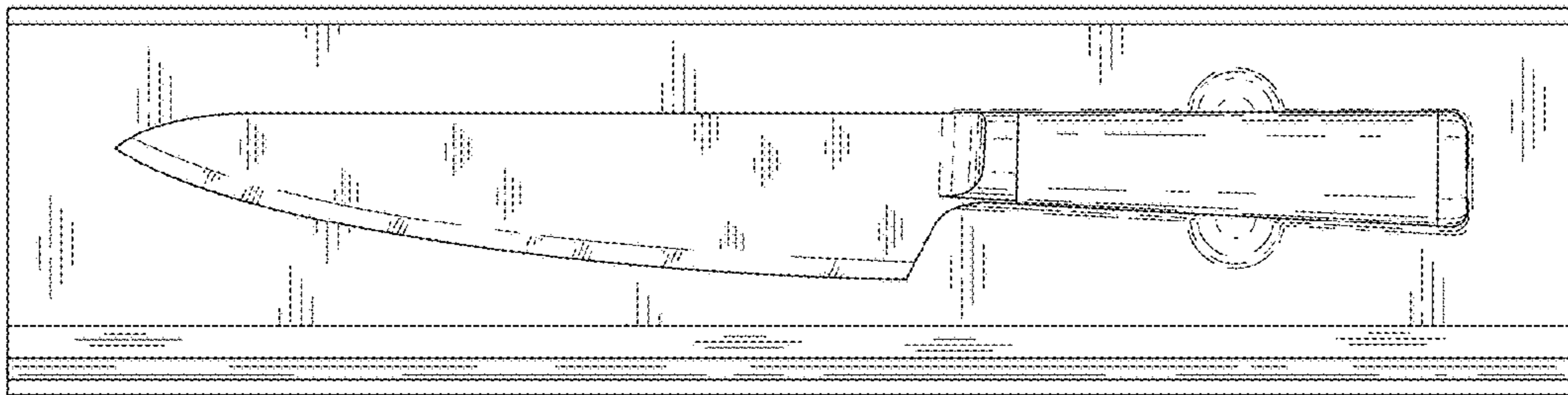


Fig. 5

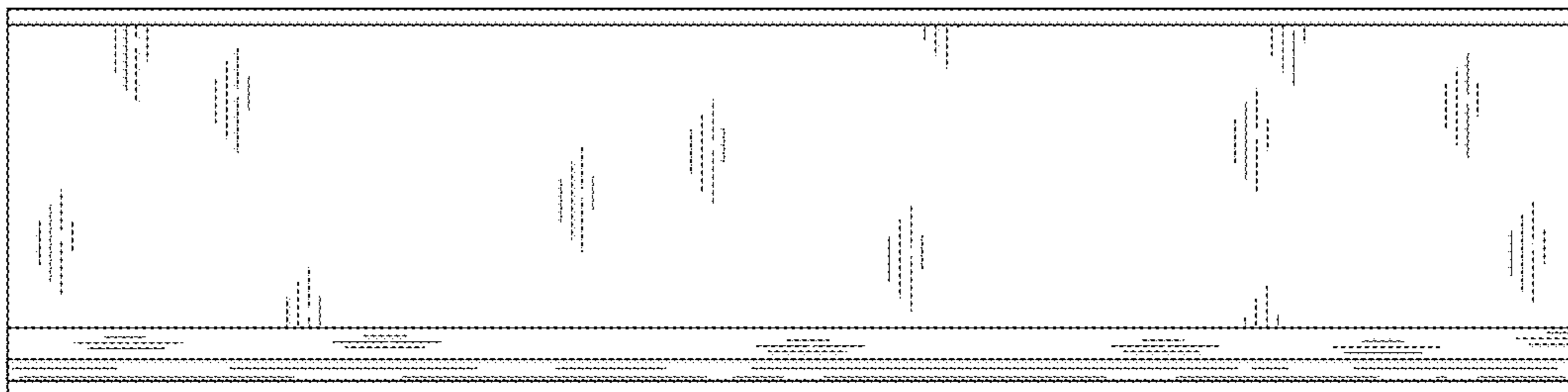


Fig. 6

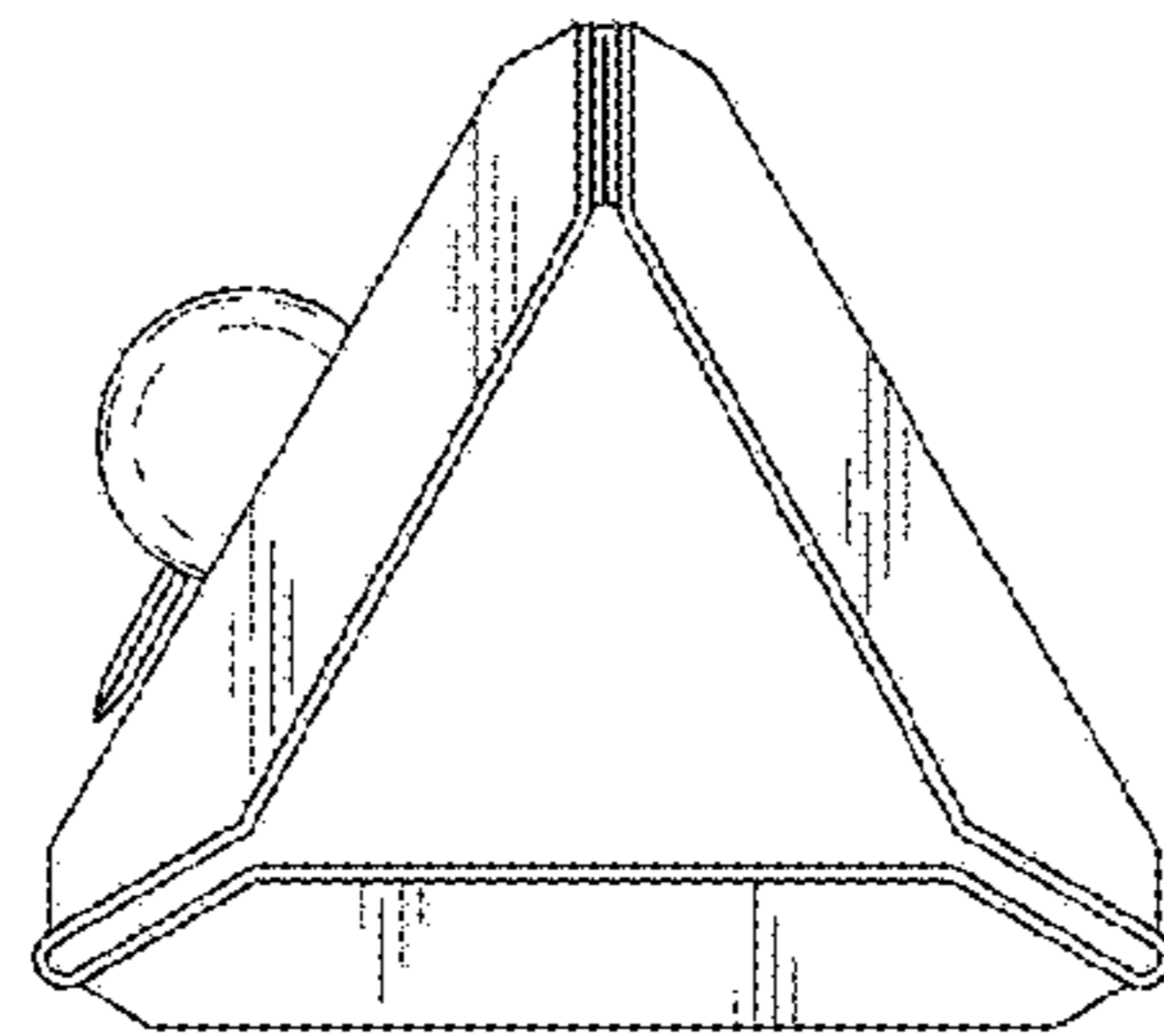


Fig. 7

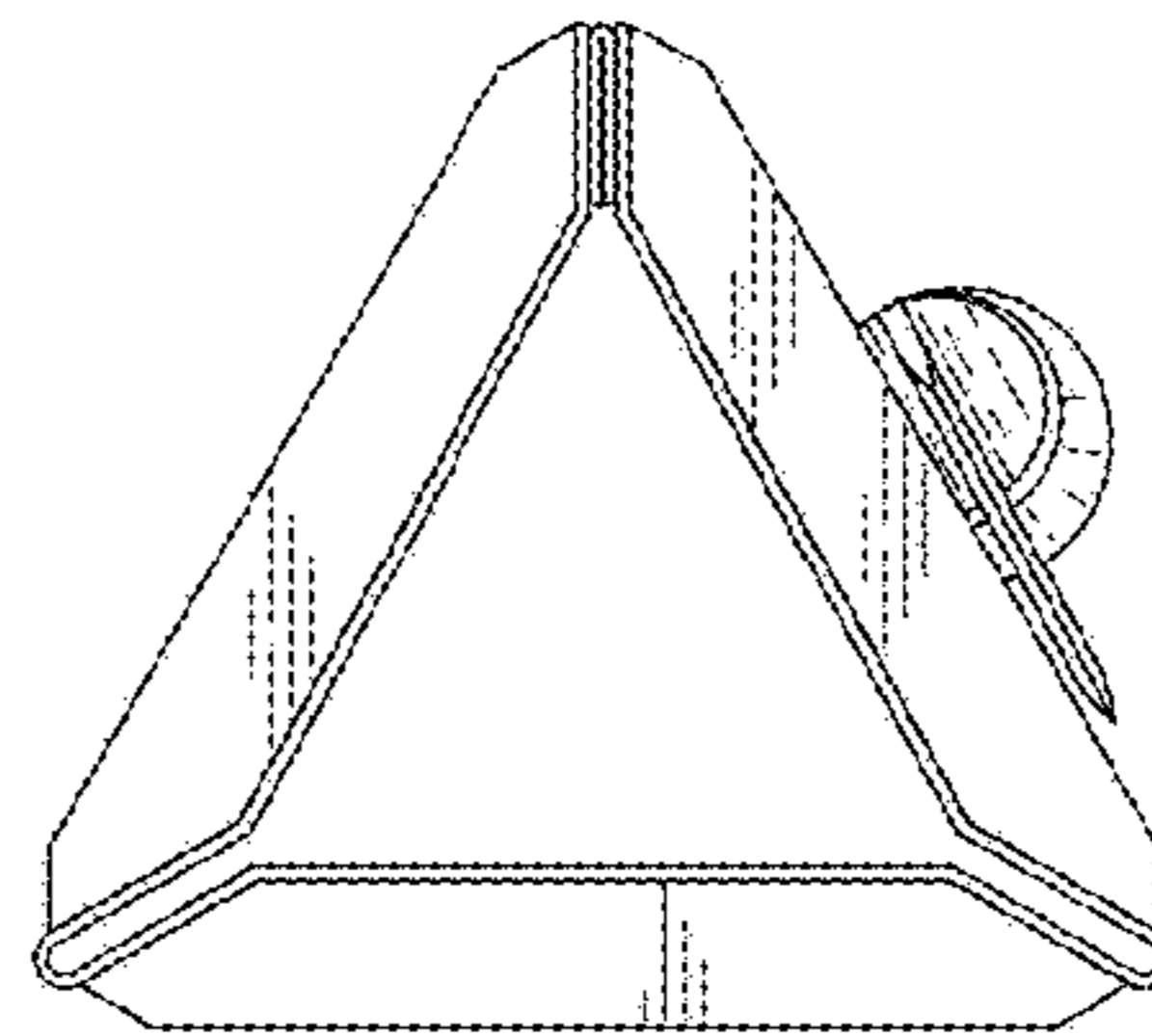


Fig. 8

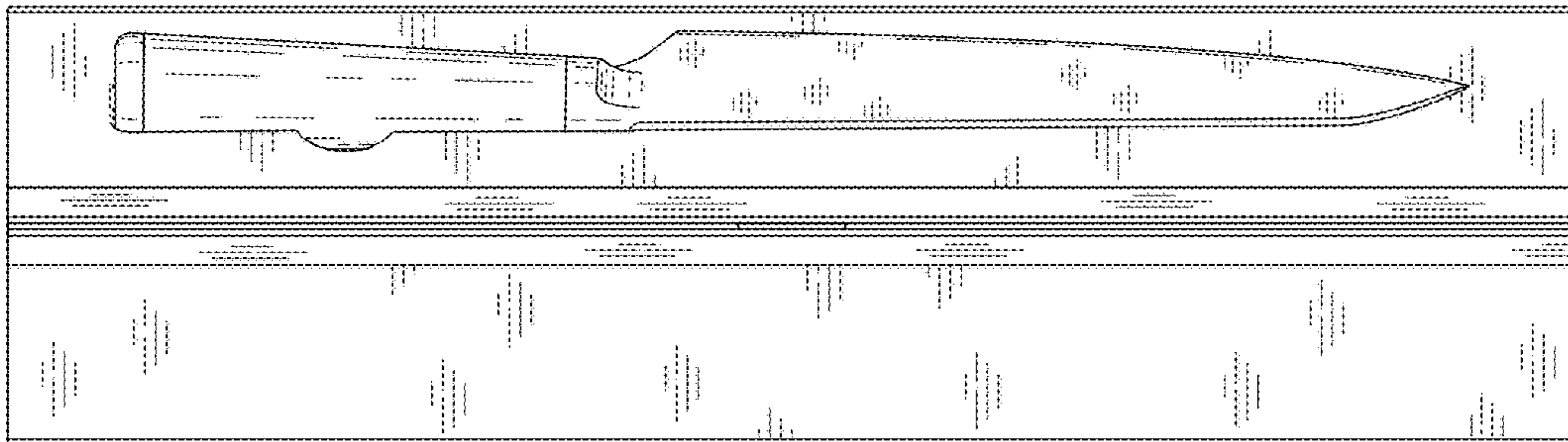


Fig. 9

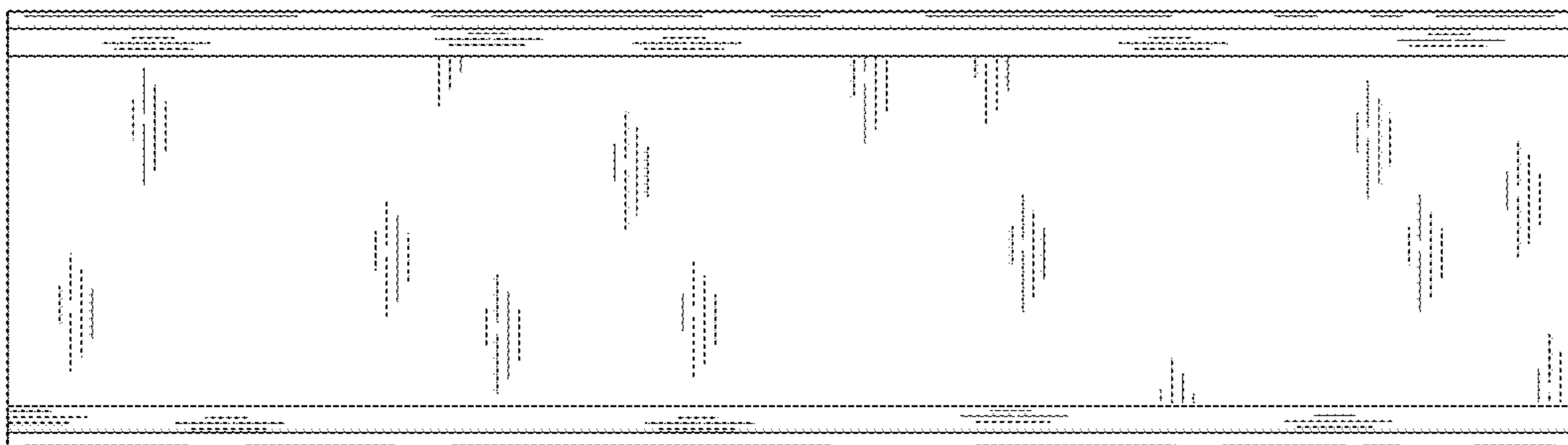


Fig. 10