



US00D863065S

(12) **United States Design Patent**
Podbelsek et al.

(10) **Patent No.:** **US D863,065 S**

(45) **Date of Patent:** **** Oct. 15, 2019**

(54) **SHEET OF TWIST-FREE CLING WRAP**

D841,484 S * 2/2019 Hill D9/713

(71) Applicants: **Alix Rose Podbelsek**, Highland Park, IL (US); **Jake Podbelsek**, Highland Park, IL (US)

* cited by examiner

Primary Examiner — Abraham Bahta

(72) Inventors: **Alix Rose Podbelsek**, Highland Park, IL (US); **Jake Podbelsek**, Highland Park, IL (US)

(74) *Attorney, Agent, or Firm* — Lesley A. Wallerstein, LLC

(**) Term: **15 Years**

(21) Appl. No.: **29/647,122**

(22) Filed: **May 9, 2018**

(51) **LOC (12) Cl.** **09-05**

(52) **U.S. Cl.**
USPC **D9/713**

(58) **Field of Classification Search**
USPC D9/702–714, 430–434, 414–417, 761, D9/731, 737, 419, 424–426, 734, 456, D9/499, 643–648, 720, 661, 662; 426/122, 132, 106–120; 222/92, 107, 222/527, 129, 541.1, 215; 206/229, 484, 206/527, 396, 438, 449, 820, 812, 397, 206/260; D24/118, 207, 121; 383/207, 383/127, 84, 209, 108, 210, 63, 61.1, 383/102–103, 109, 113, 120; 215/379, 215/380–382; 229/87.01–87.09, 229/87.11–87.19, 938, 103.2, 116.5, 923, 229/123, 123.3, 200, 203, 204, 210; 220/666; 211/85.15; 428/35.2; D3/203.1–203.6, 303
CPC B65D 65/00; B65D 65/38; B65D 65/04; B65D 65/06; B65D 65/10; B65D 65/12; B65D 75/00; B65D 75/04; B65D 75/002
See application file for complete search history.

(57) **CLAIM**

The ornamental design for a sheet of twist-free cling wrap, as shown and described.

DESCRIPTION

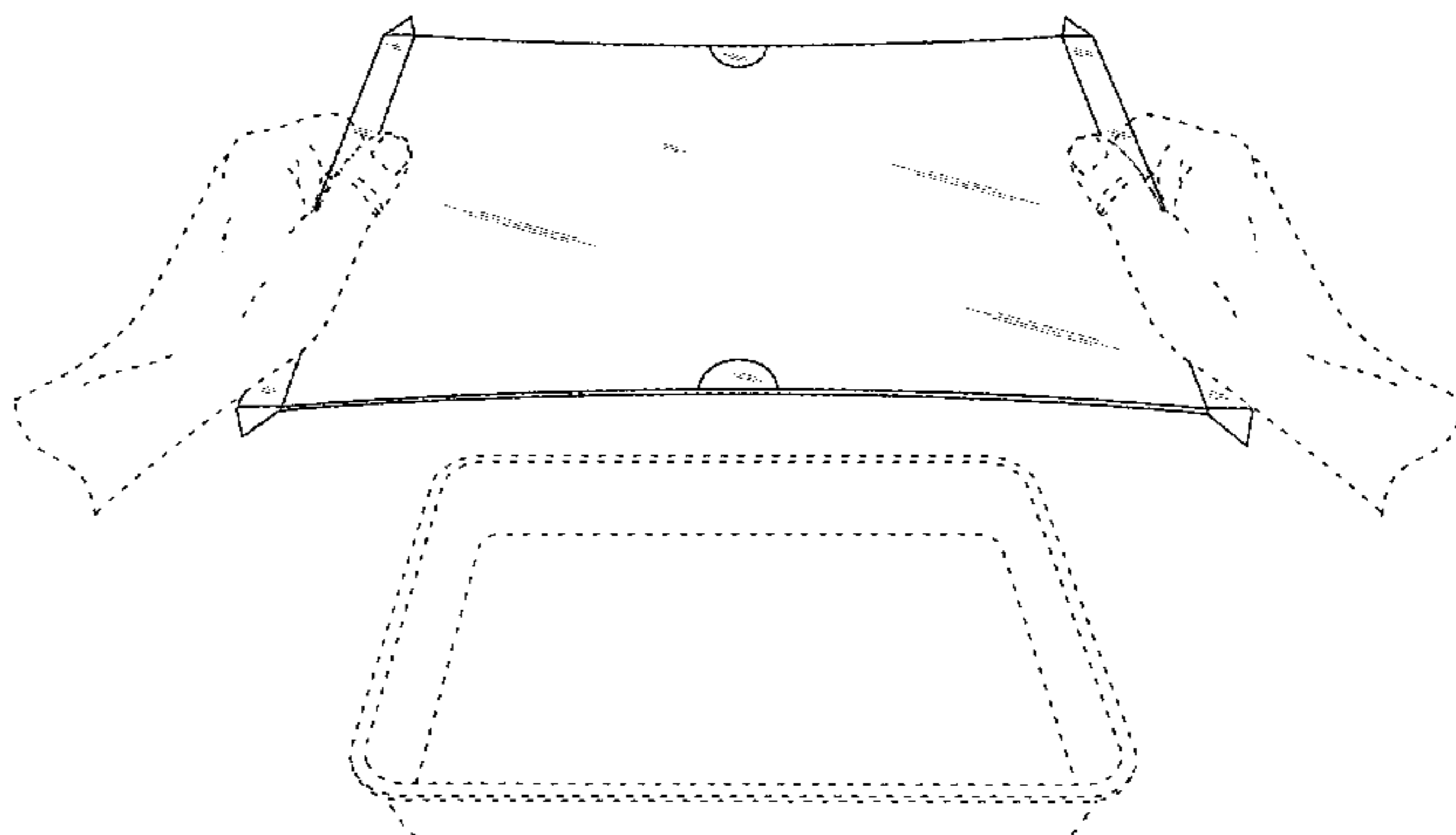
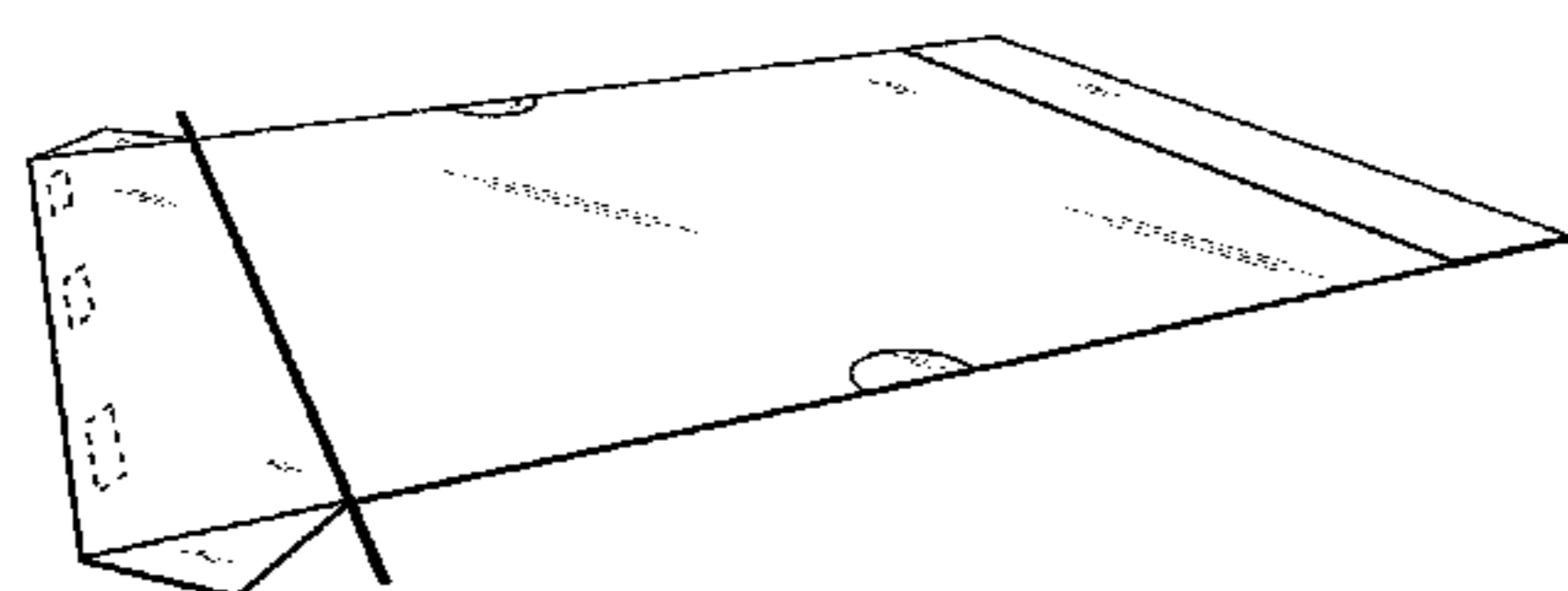
FIG. 1 is a top perspective view of the sheet of twist-free cling wrap, shown in a closed configuration; FIG. 2 is a bottom view thereof; FIG. 3 is a top perspective view thereof; wherein the wrap is in an open configuration; FIG. 4 is a bottom perspective view thereof; wherein the wrap is shown in an open configuration; FIG. 5 is a top view thereof; FIG. 6 is a bottom view thereof; FIG. 7 is a right side view thereof; FIG. 8 is a left side view thereof; FIG. 9 is a top view thereof; FIG. 10 is a bottom view thereof; FIG. 11 is an alternative top perspective view of the sheet of twist-free cling wrap of FIG. 1, positioned over a casserole dish; and, FIG. 12 is a second alternative top perspective view of the sheet of twist-free cling wrap of FIG. 1, positioned over casserole dish.
The broken line in FIGS. 1-3 and 5-6 is portions of the sheet of twist-free cling wrap and is included for the purpose of illustration environmental structure and forms no part of the claimed design.
The broken line showing of the hands and the dish is included for the purpose of illustrating environmental structure and forms no part of the claimed design.

(56) **References Cited**

U.S. PATENT DOCUMENTS

D625,614 S * 10/2010 Duhon D9/713
D738,744 S * 9/2015 Sanders D9/713

1 Claim, 7 Drawing Sheets



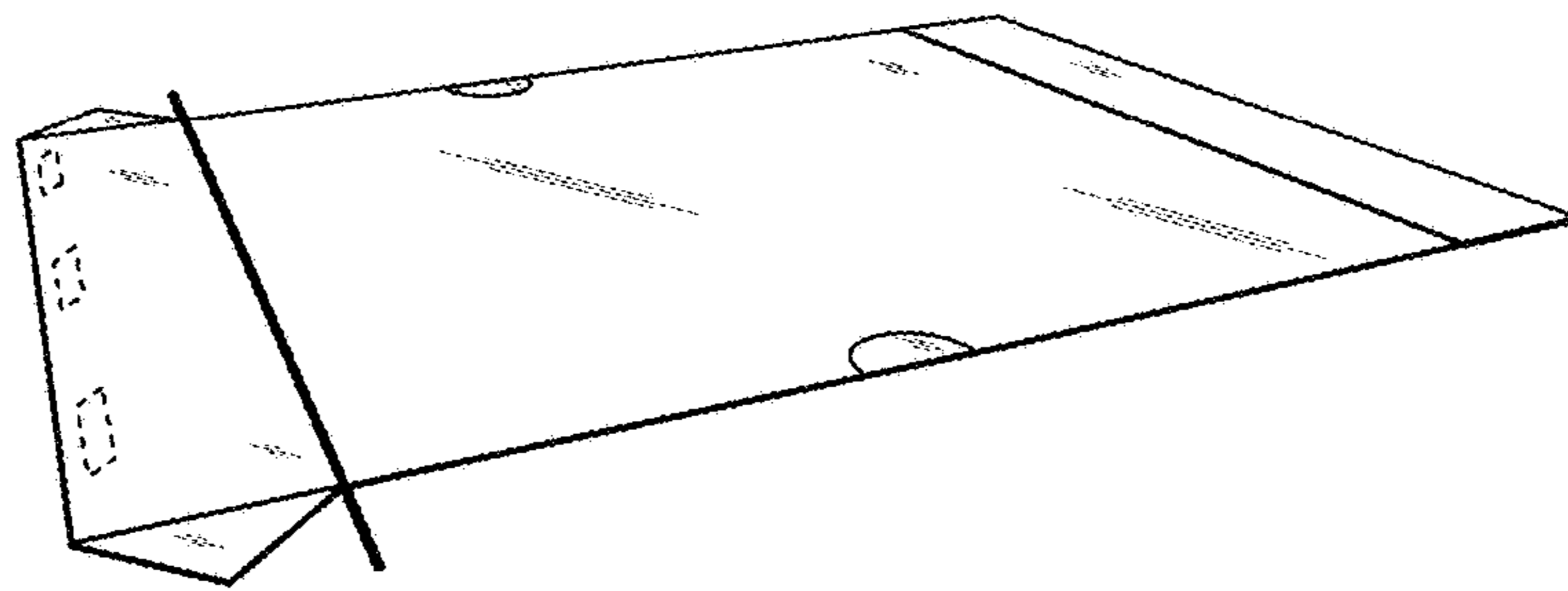


FIG. 1

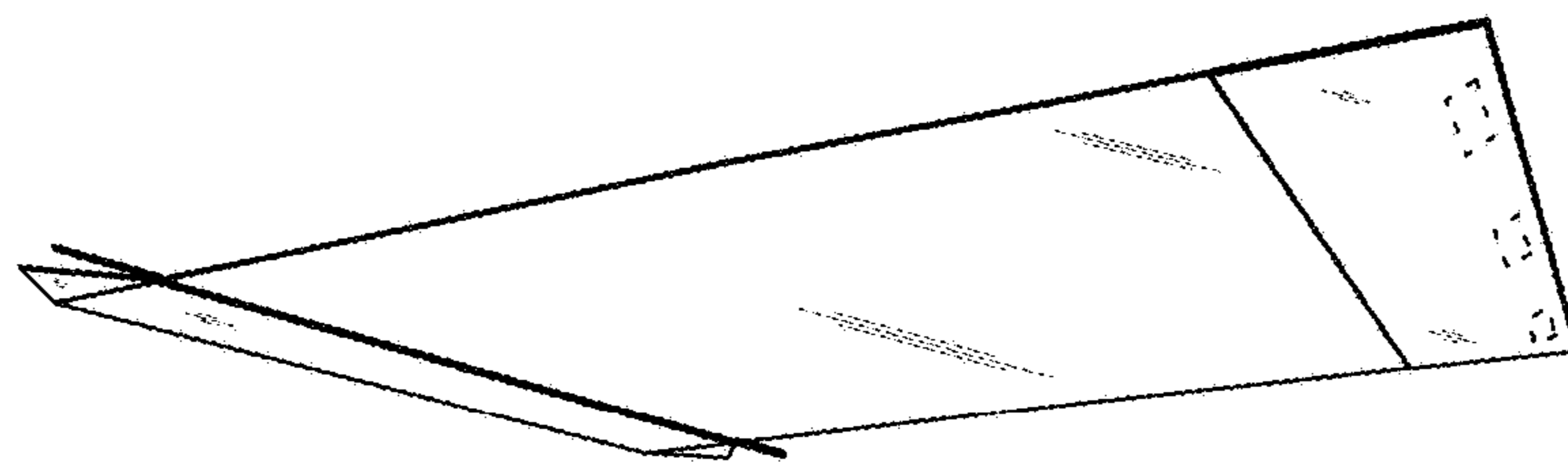


FIG. 2

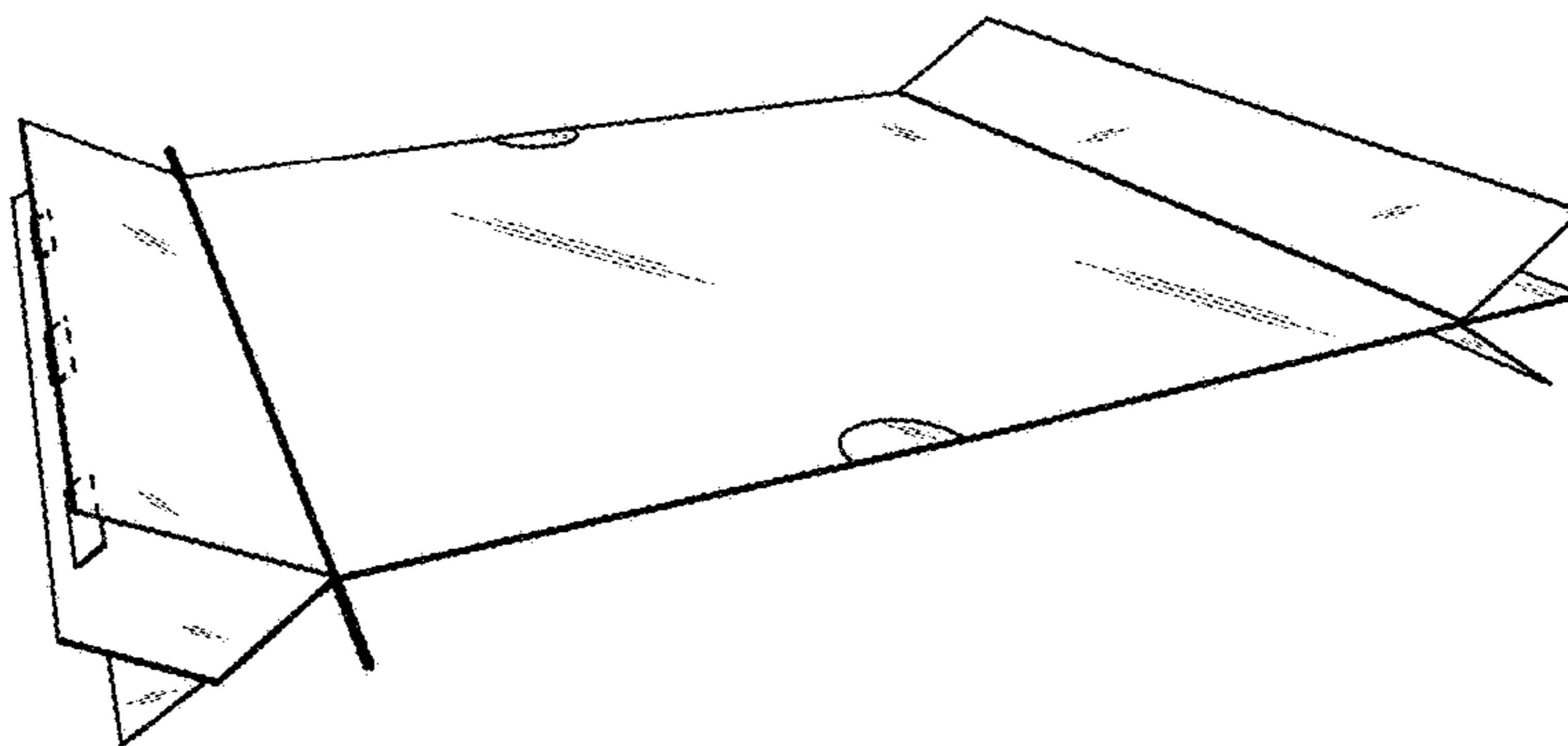


FIG. 3

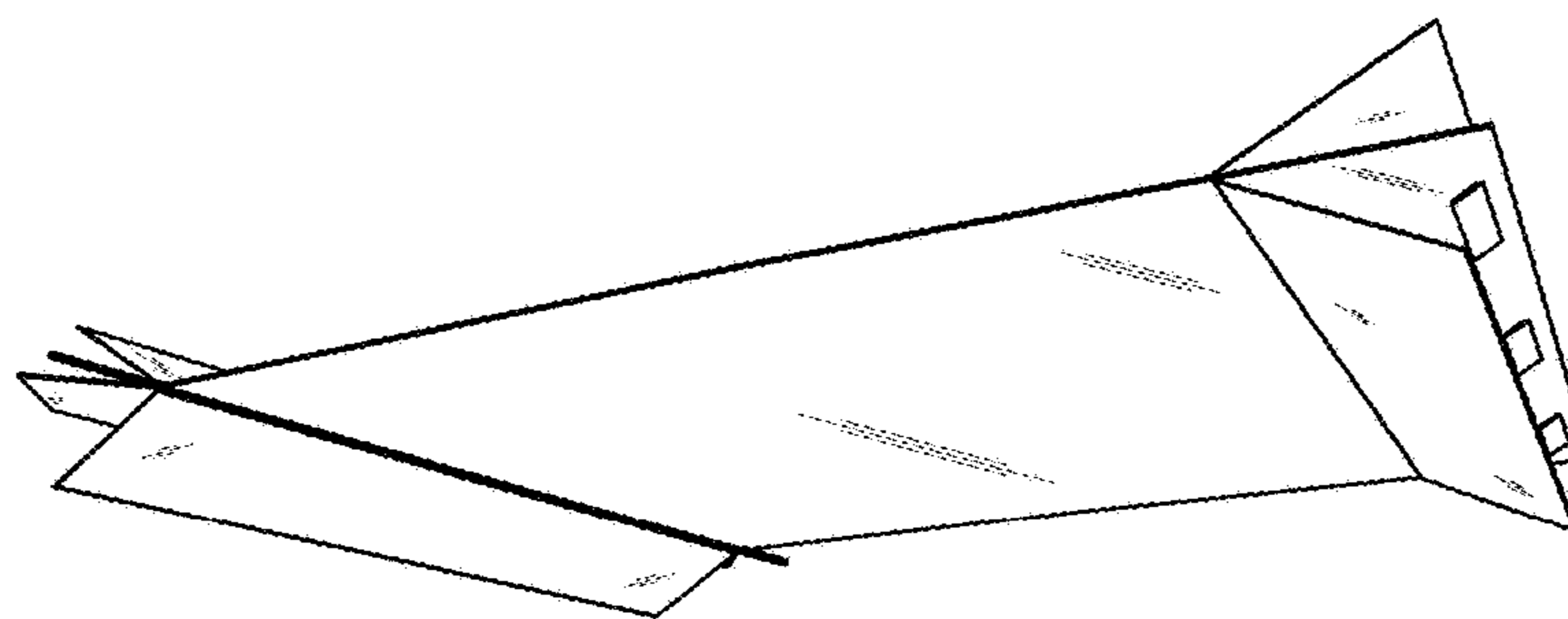


FIG. 4

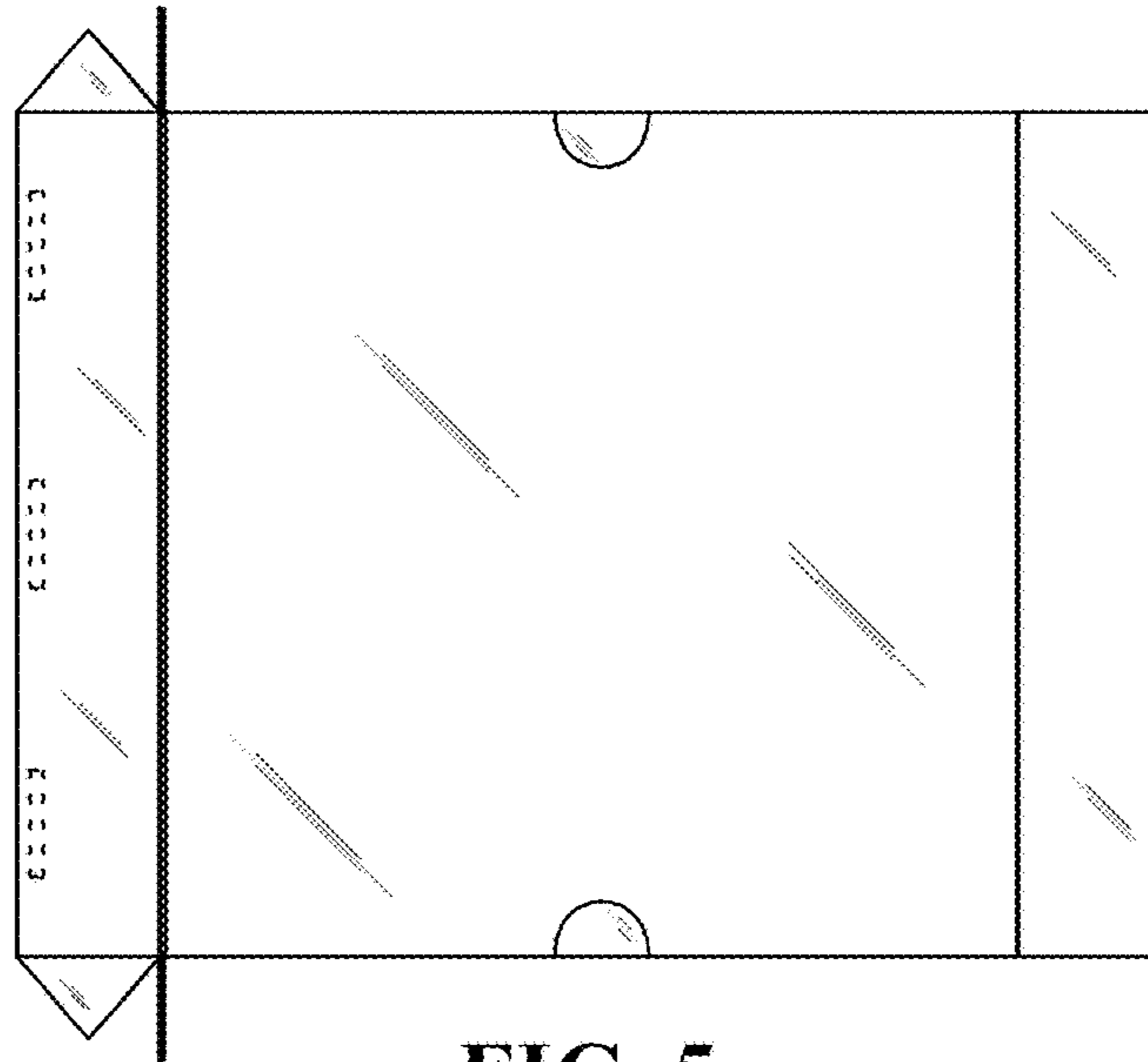


FIG. 5

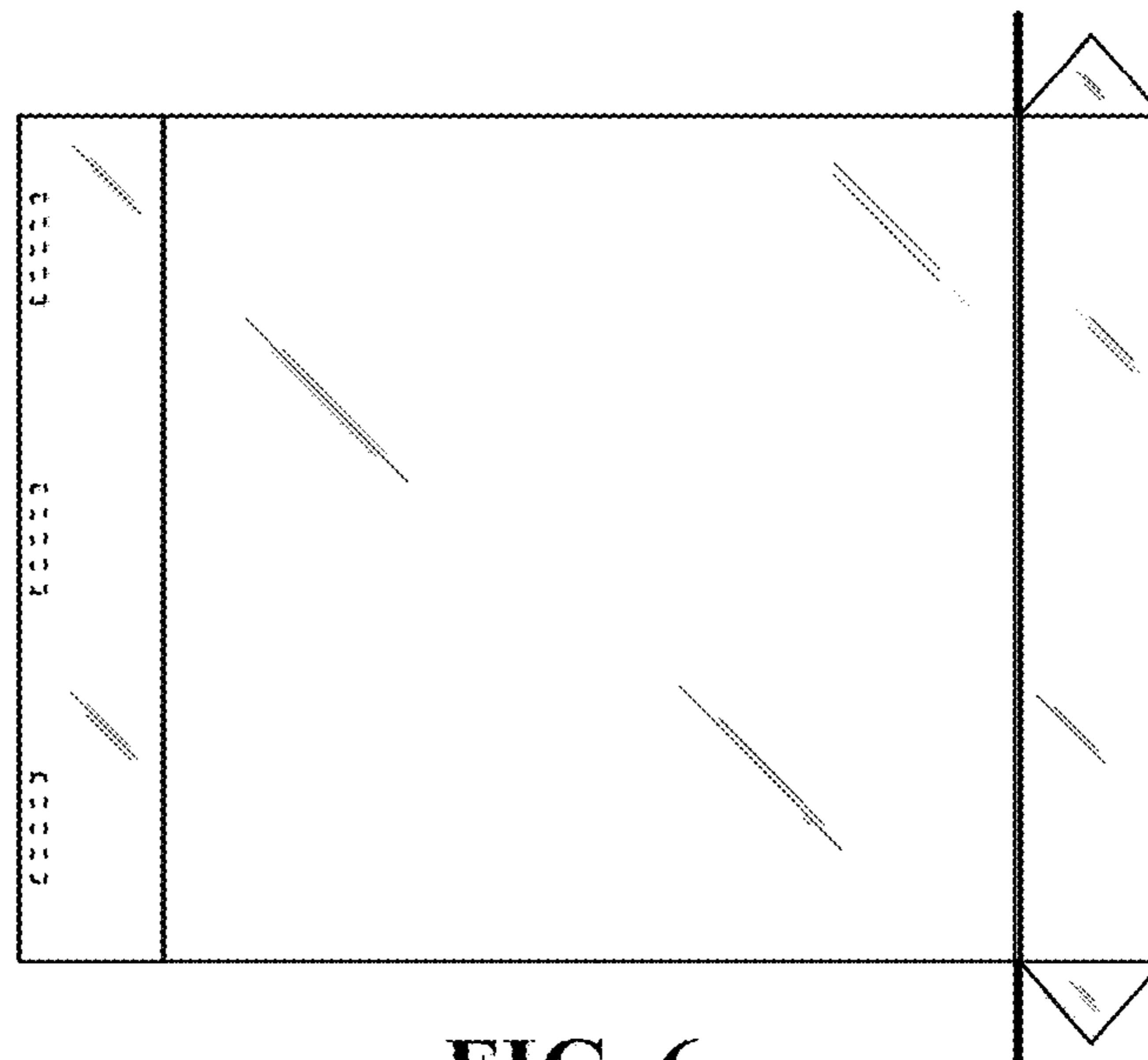


FIG. 6

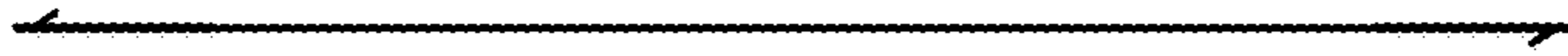


FIG. 7



FIG. 8

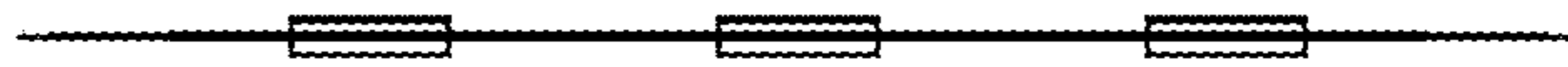


FIG. 9

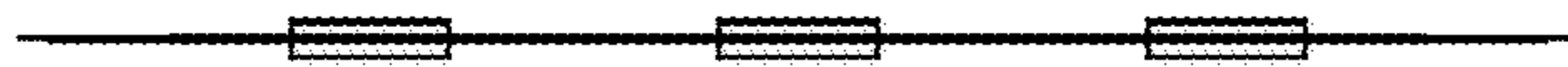


FIG. 10

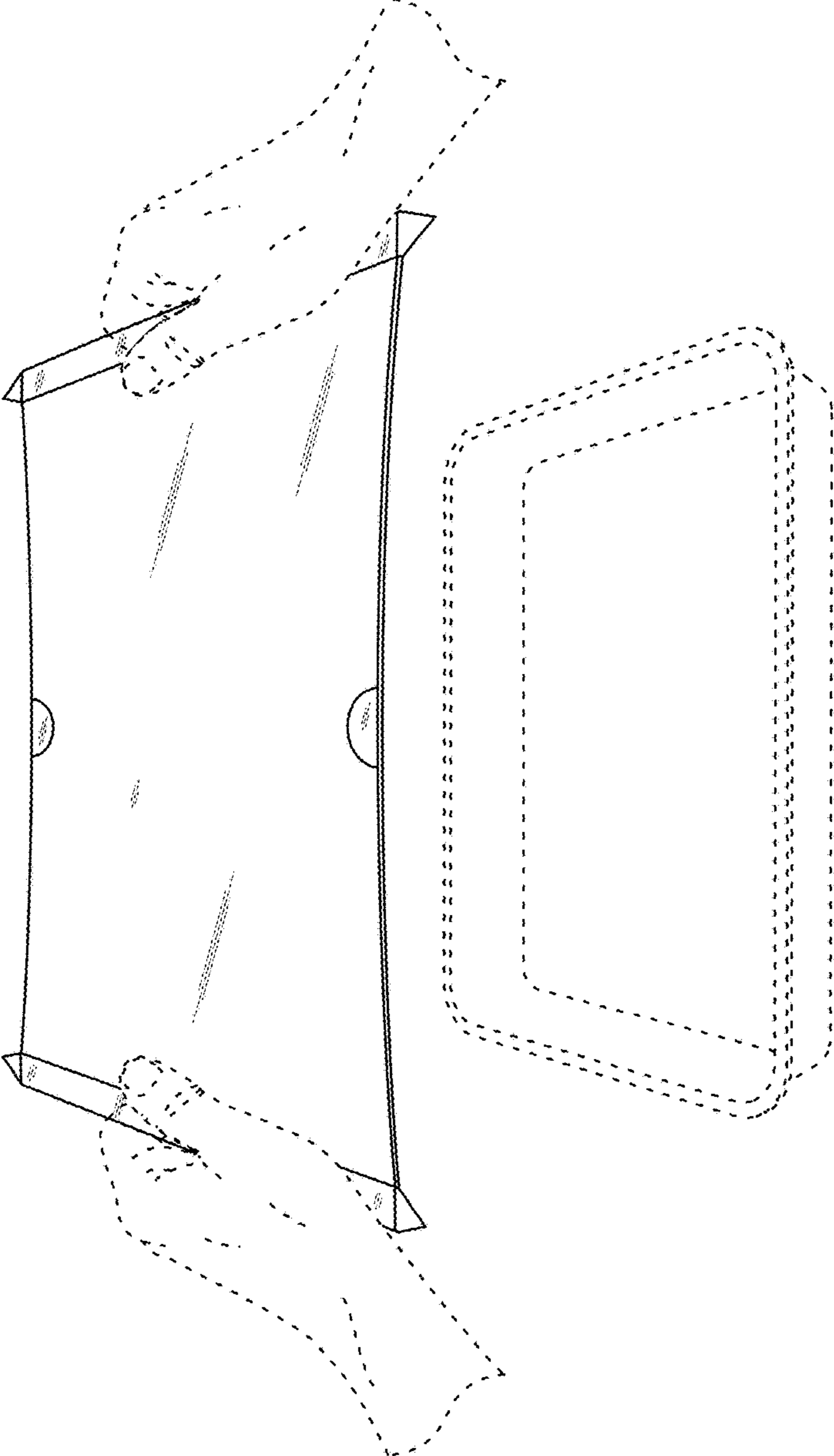


FIG. 11

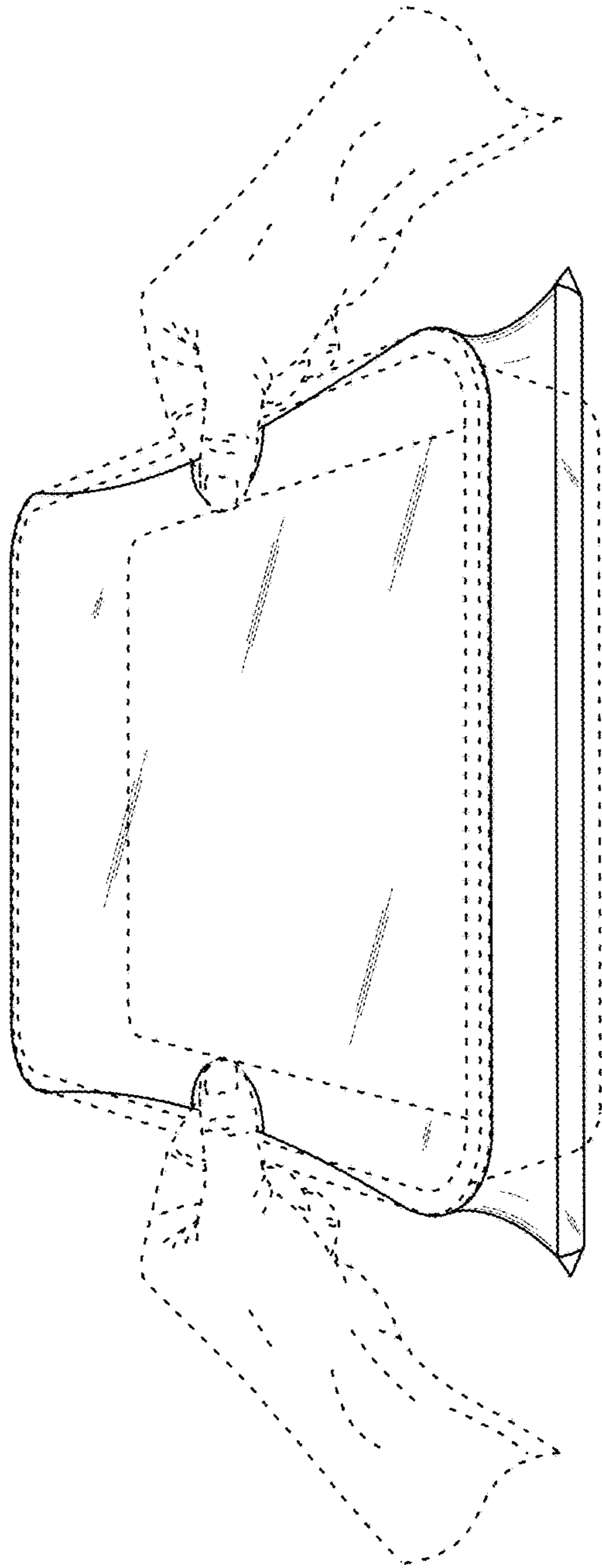


FIG. 12