



US00D863058S

(12) **United States Design Patent**
Guntuboyina

(10) **Patent No.:** **US D863,058 S**

(45) **Date of Patent:** **** Oct. 15, 2019**

(54) **BOTTLE**

(71) Applicant: **Swaroopo Guntuboyina**, Austin, TX
(US)

(72) Inventor: **Swaroopo Guntuboyina**, Austin, TX
(US)

(**) Term: **15 Years**

(21) Appl. No.: **29/630,935**

(22) Filed: **Dec. 23, 2017**

(51) **LOC (12) Cl.** **09-01**

(52) **U.S. Cl.**
USPC **D9/500**

(58) **Field of Classification Search**

USPC D9/500, 502-504, 516, 530, 537-540,
D9/549, 558, 715, 719; D7/509-511, 523
CPC B65D 1/00; B65D 1/02; B65D 1/0215;
B65D 1/0223; B65D 2501/00; B65D
2501/0009; A45F 3/16; A45F 3/18; A47G
19/22; A47G 19/2205; A47G 19/2288
See application file for complete search history.

(56) **References Cited**

U.S. PATENT DOCUMENTS

D250,314 S * 11/1978 Elliott D7/511
D413,264 S * 8/1999 Uechi D9/551

D562,137 S * 2/2008 Florio D28/89
D742,699 S * 11/2015 Boroski D7/608
D754,485 S * 4/2016 Lapsker D7/523
D832,707 S * 11/2018 Khouri Klink D9/633

* cited by examiner

Primary Examiner — Dana Meyrow

(74) *Attorney, Agent, or Firm* — Paul D. Chancellor;
Ocean Law

(57) **CLAIM**

The ornamental design for a bottle, as shown and described.

DESCRIPTION

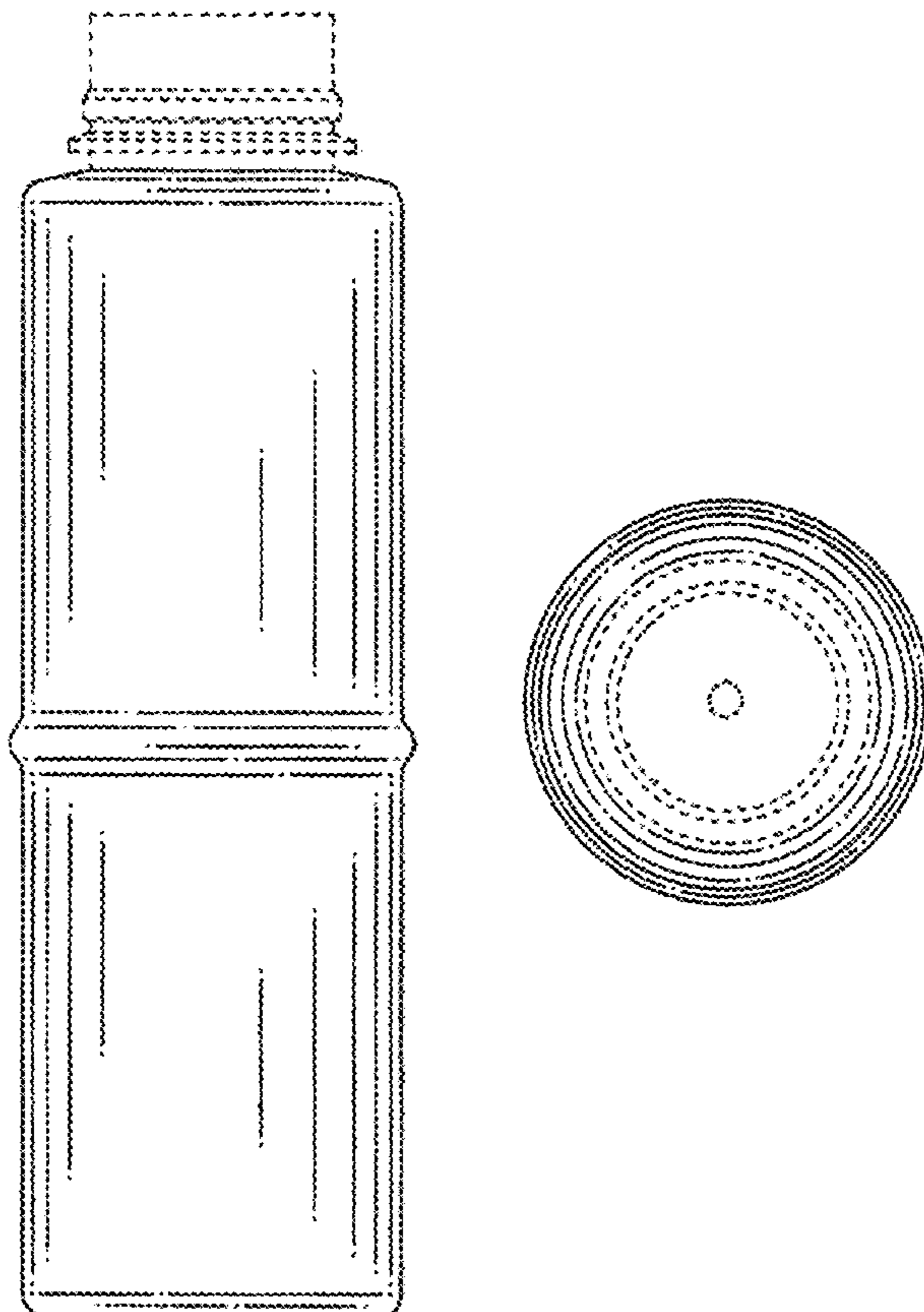
FIG. 1 is a top perspective view of a bottle showing my new design;

FIG. 2 is a side elevation view thereof, the opposing side elevation view being identical; and,

FIG. 3 is a top plan view thereof.

The Broken lines shown represent unclaimed subject matter and form no part of the claimed design. The shade lines shown represent surface shading and not surface ornamentation.

1 Claim, 2 Drawing Sheets



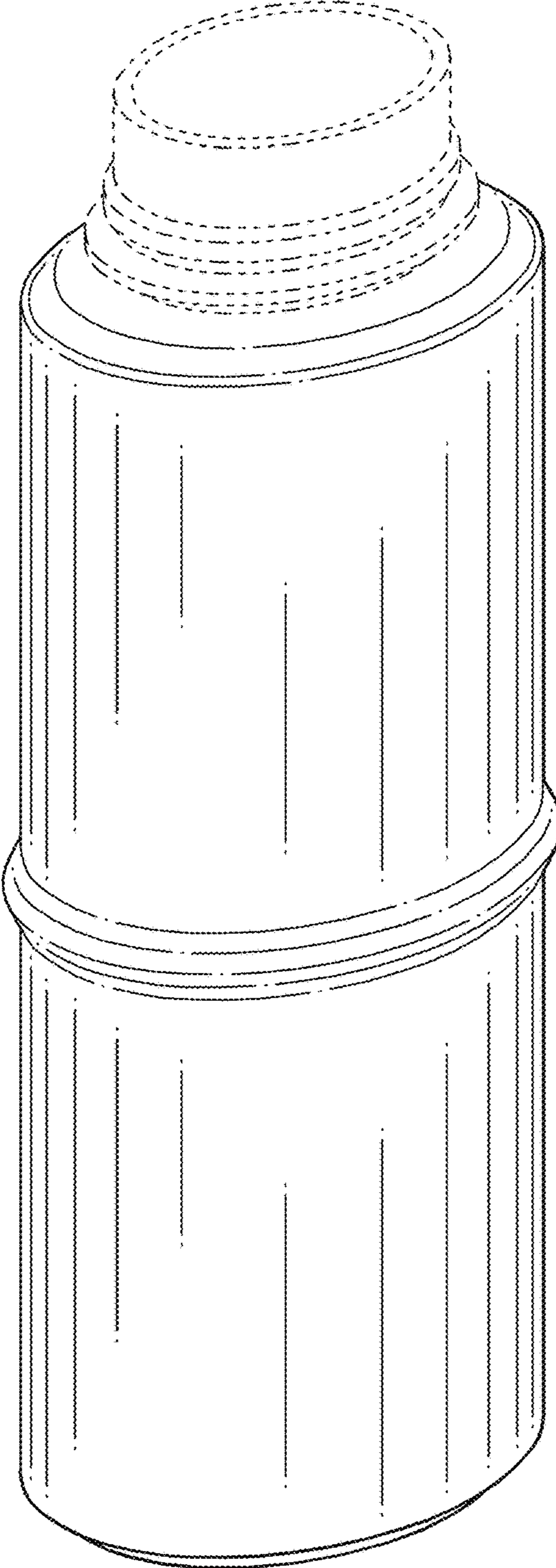


FIG. 1

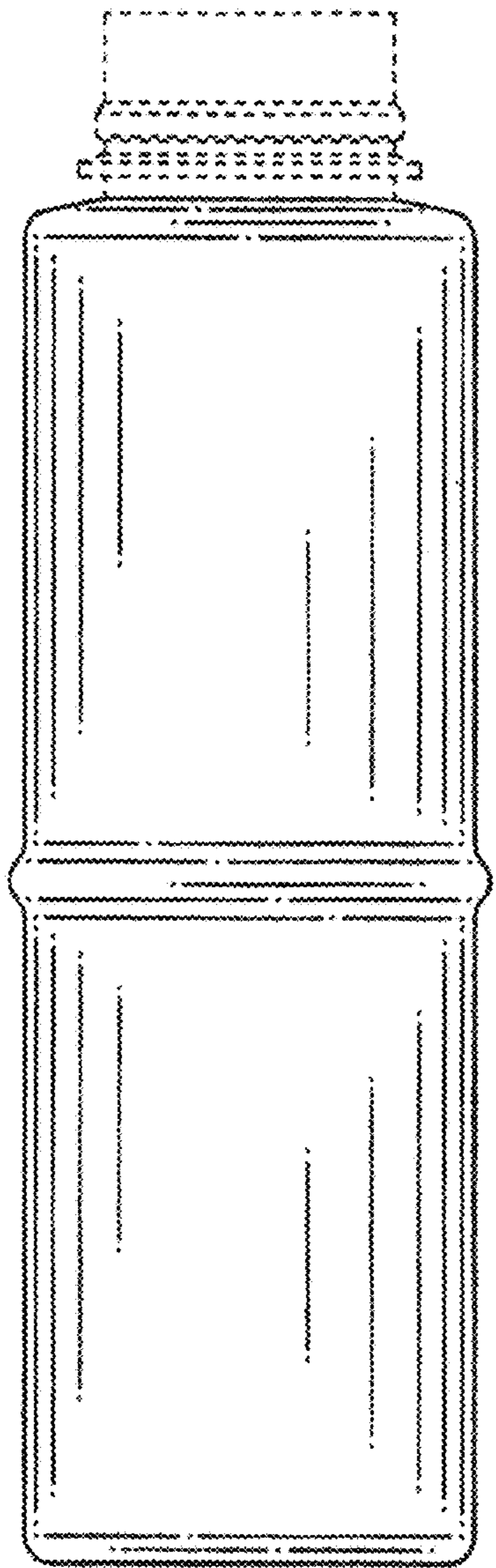


FIG. 2

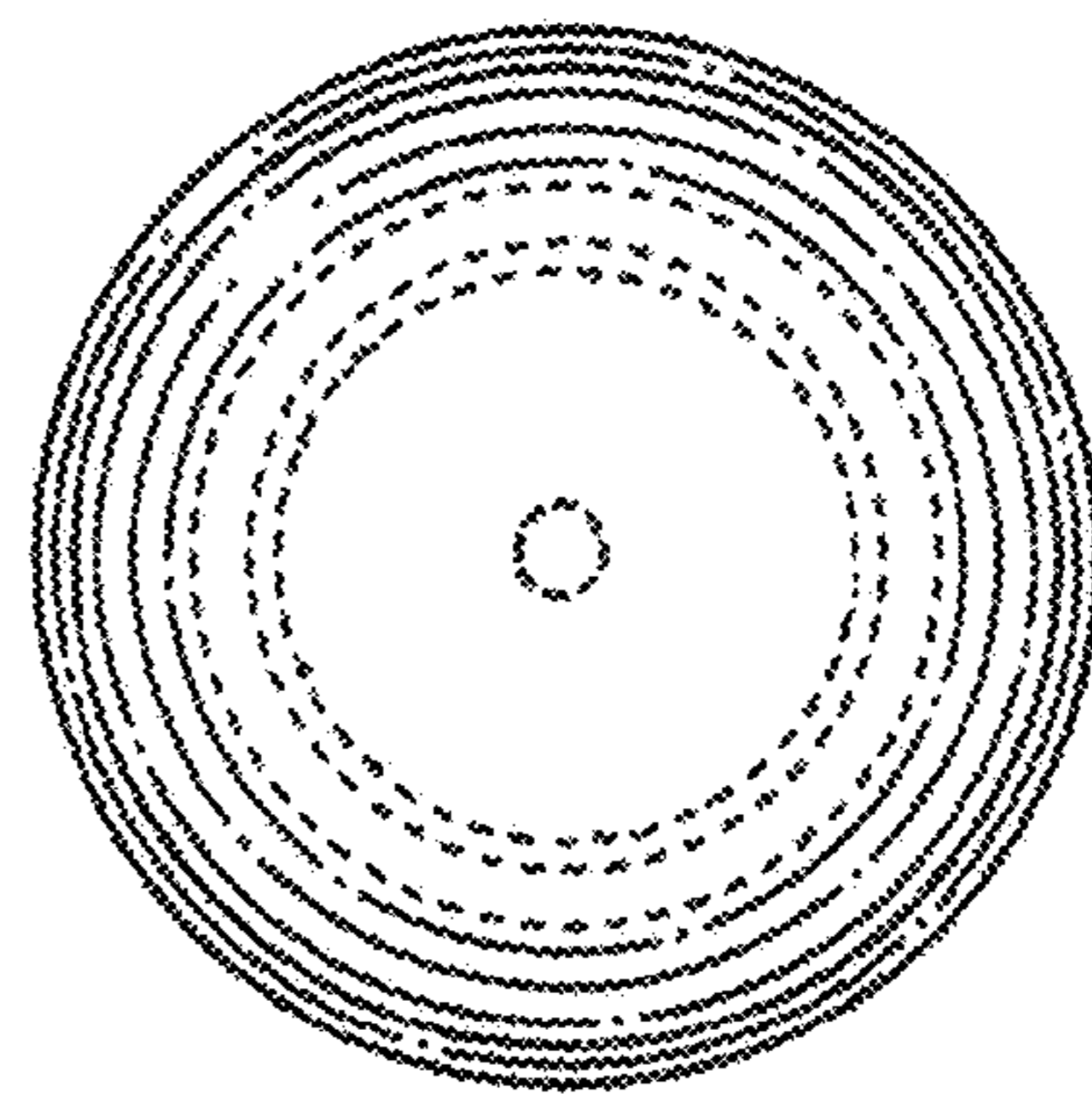


FIG. 3