



US00D863056S

(12) **United States Design Patent**
Luna

(10) **Patent No.:** **US D863,056 S**
(45) **Date of Patent:** **** Oct. 15, 2019**

- (54) **BOX**
- (71) Applicant: **ZUMMIT PLASTICS**, Phoenix, AZ (US)
- (72) Inventor: **Miguel Luna**, Scottsdale, AZ (US)
- (73) Assignee: **ZUMMIT PLASTICS**, Phoenix, AZ (US)
- (**) Term: **15 Years**
- (21) Appl. No.: **29/648,753**
- (22) Filed: **May 23, 2018**
- (51) **LOC (12) Cl.** **09-03**
- (52) **U.S. Cl.**
USPC **D9/432**
- (58) **Field of Classification Search**
USPC D9/414-423, 424-429, 430-432, 433, D9/434, 456, 457, 500, 520, 549, 558, D9/711, 713, 721-722, 772; D3/290, D3/304, 305, 315; D20/10, 22, 27, 40, D20/42
CPC ... B65D 5/00; B65D 5/02; B65D 5/18; B65D 5/20
See application file for complete search history.

D654,370 S *	2/2012	Campbell	D9/432
D666,091 S *	8/2012	Klopp	D9/434
D689,769 S *	9/2013	Oates	D9/434
D693,680 S *	11/2013	Klopp	D9/434
D701,118 S *	3/2014	Klopp	D9/434
D706,629 S *	6/2014	Bartels	D9/434
D752,439 S *	3/2016	Abel	D9/499
D768,475 S *	10/2016	Thompson	D9/414
D811,876 S *	3/2018	Breen	D9/432
D813,029 S *	3/2018	Borkovetz	D9/432
D829,546 S *	10/2018	Gagliardo	D9/434
2008/0308617 A1 *	12/2008	Jennings	B65D 5/701 229/125.09

* cited by examiner

Primary Examiner — Vy N Koenig
(74) *Attorney, Agent, or Firm* — Quarles and Brady LLP

(57) **CLAIM**

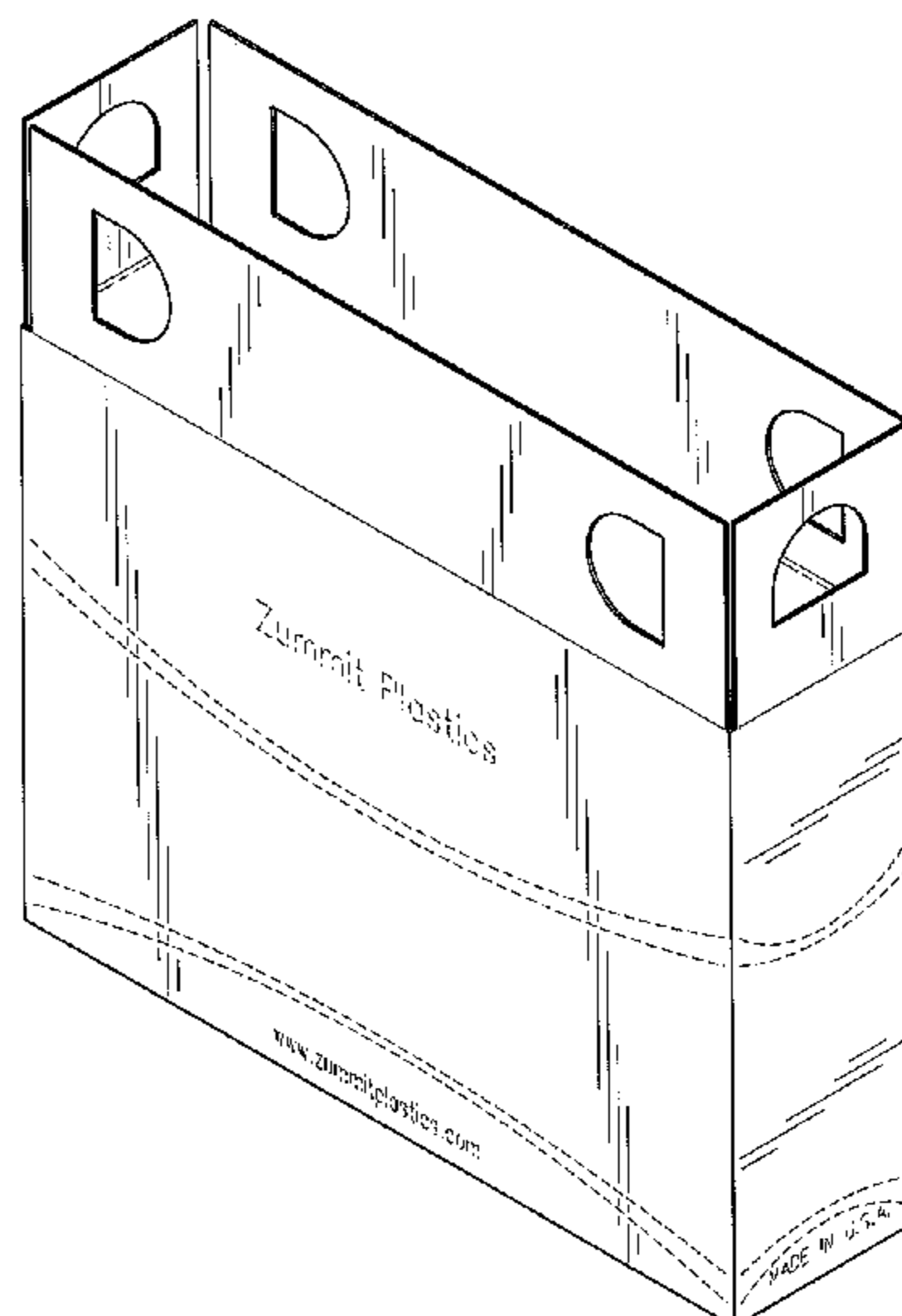
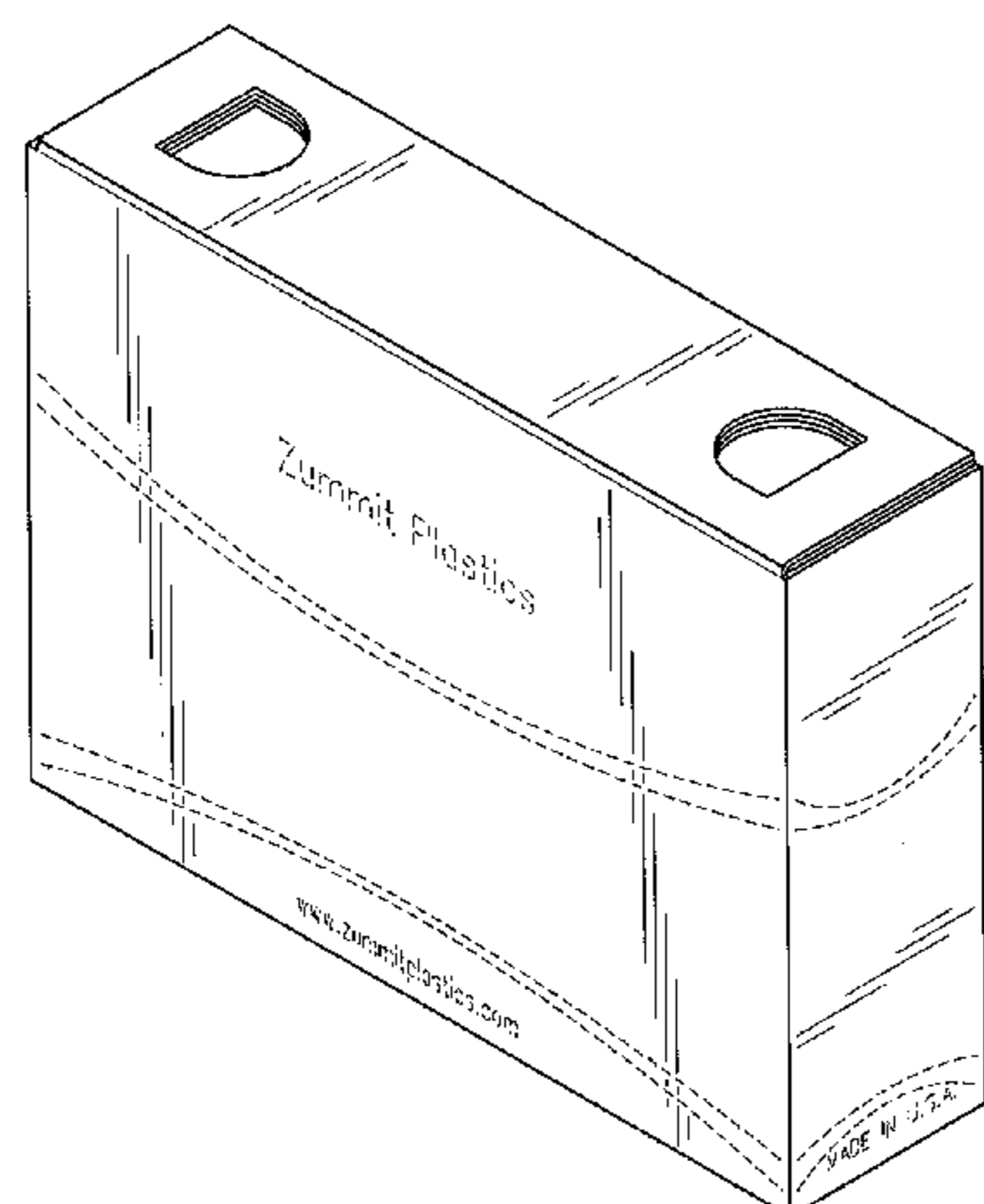
The ornamental design for a box, as shown and described.

DESCRIPTION

FIG. 1 is a perspective view of a box showing my new design, when closed;
 FIG. 2 is a top plan view thereof;
 FIG. 3 is a first elevational view thereof;
 FIG. 4 is a second elevational view thereof;
 FIG. 5 is a third elevational view thereof;
 FIG. 6 is a fourth elevational view thereof;
 FIG. 7 is bottom plan view thereof;
 FIG. 8 is a perspective view of the box when opened;
 FIG. 9 is a top plan view thereof;
 FIG. 10 is a first elevational view thereof;
 FIG. 11 is a second elevational view thereof;
 FIG. 12 is a third elevational view thereof;
 FIG. 13 is a fourth elevational view thereof; and,
 FIG. 14 is a bottom plan view thereof.
 The broken lines shown in the drawings depict features of the box that form no part of the claimed design.

1 Claim, 8 Drawing Sheets

- (56) **References Cited**
U.S. PATENT DOCUMENTS
- 3,358,828 A * 12/1967 Tolaas B65D 71/18
206/147
- 3,773,244 A * 11/1973 Dunlap, III B65D 5/18
206/335
- D336,245 S * 6/1993 Savas D9/433
- D400,095 S * 10/1998 Uebele D9/734
- D440,491 S * 4/2001 Stacy-Ryan D9/434
- D522,856 S * 6/2006 Hamuro D9/432
- D526,194 S * 8/2006 Hamuro D9/432
- D527,253 S * 8/2006 Hamuro D9/432
- D599,201 S * 9/2009 Seol D9/432



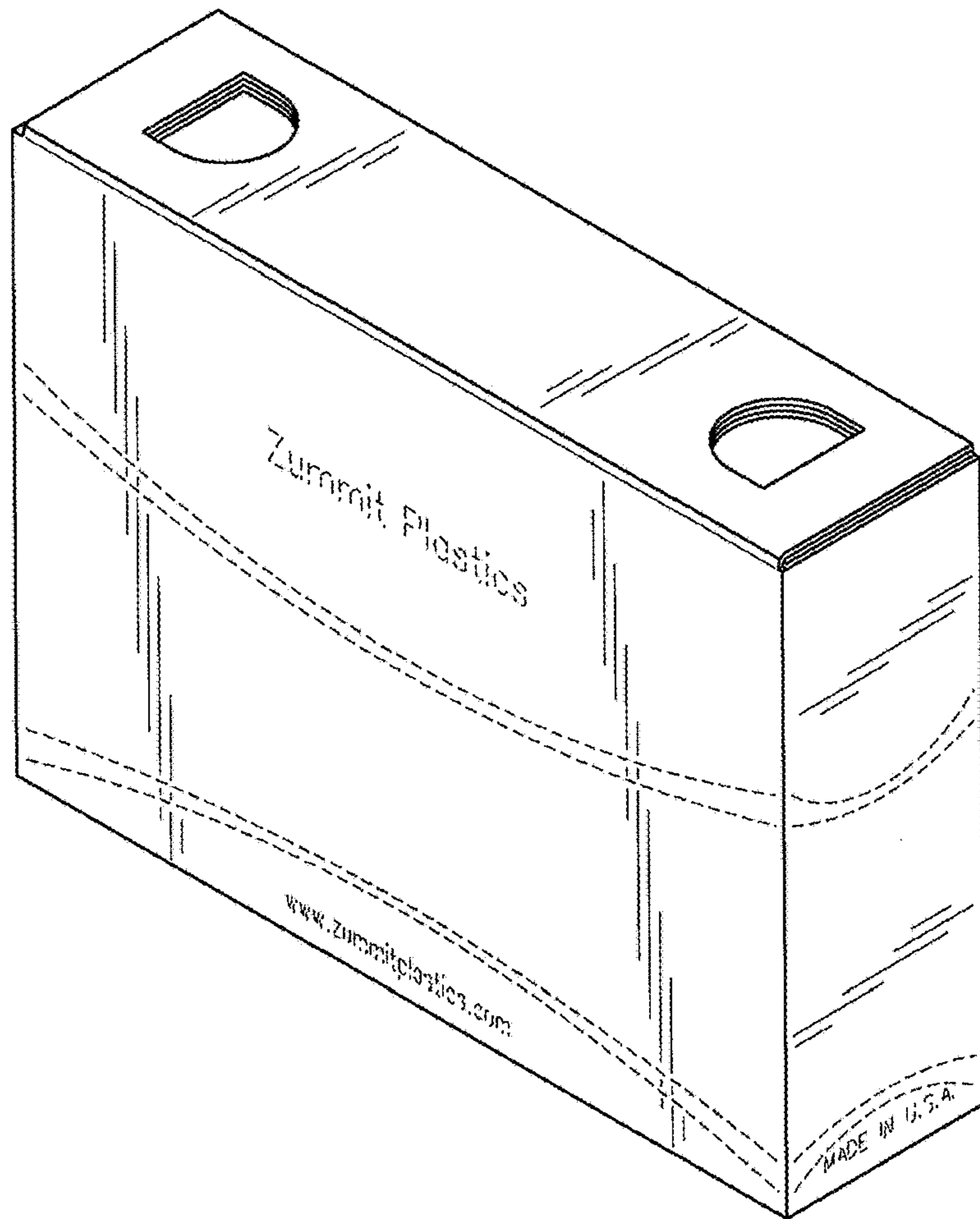


FIG. 1

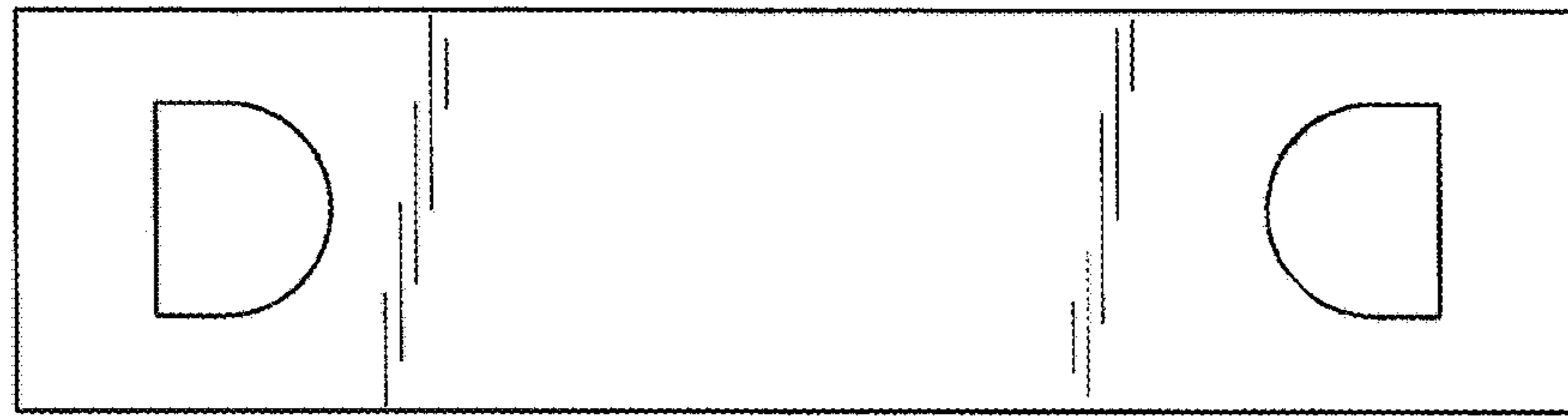


FIG. 2

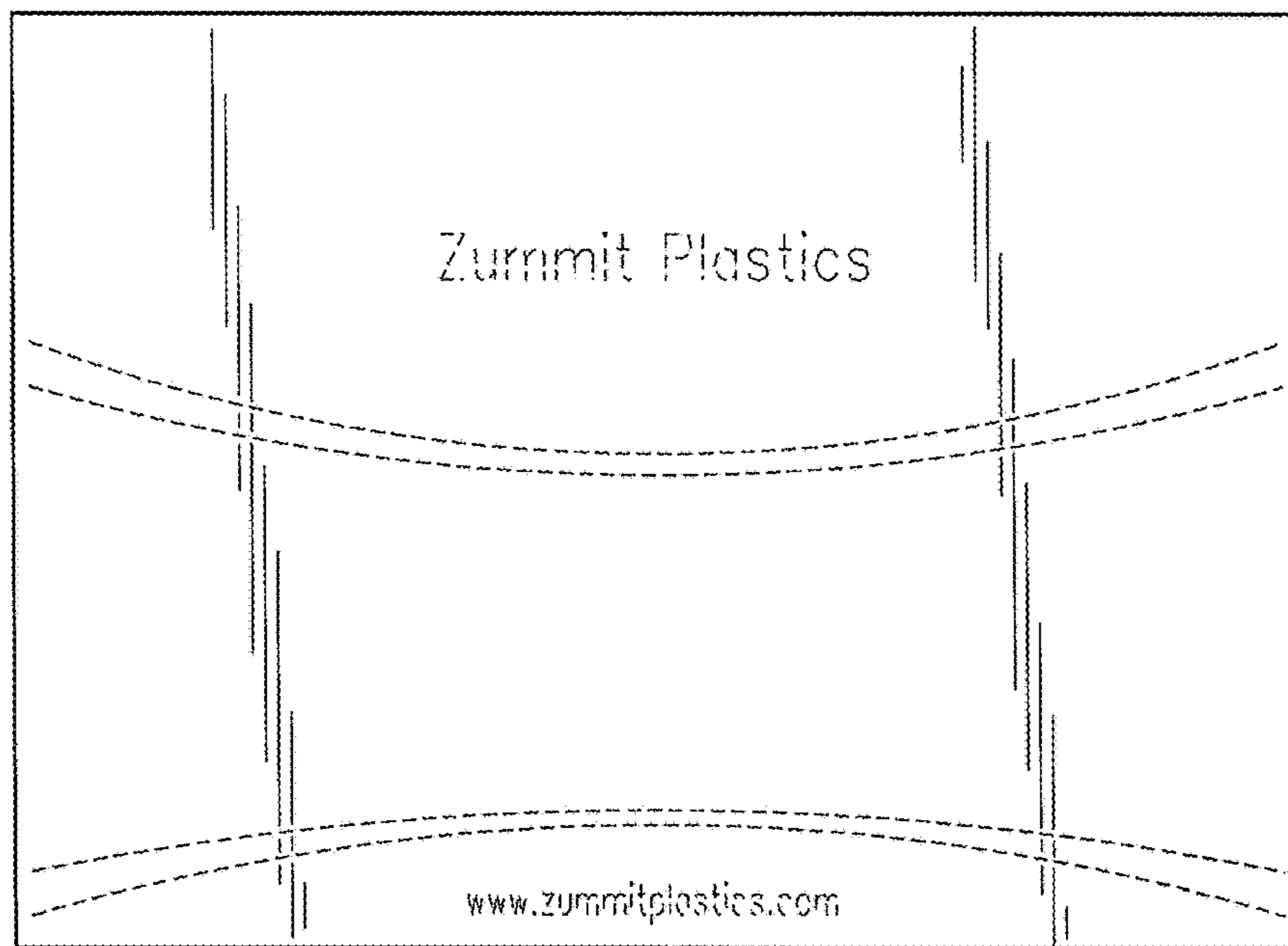


FIG. 3

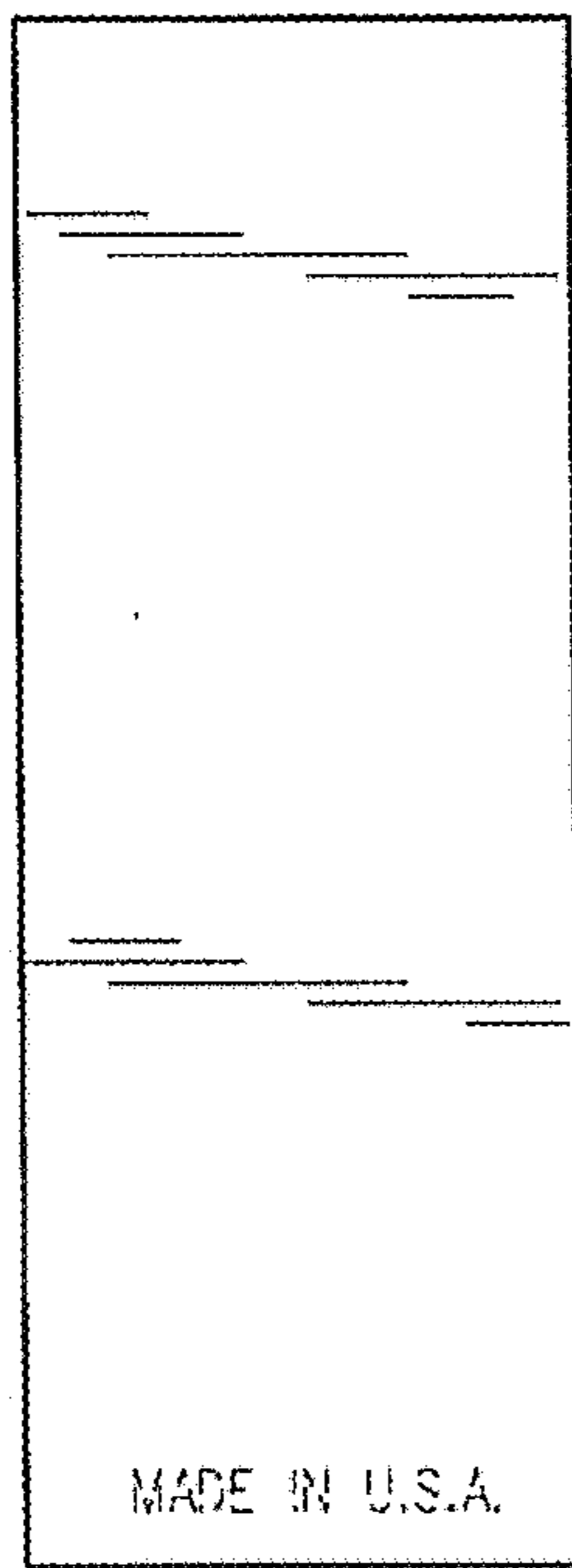


FIG. 4

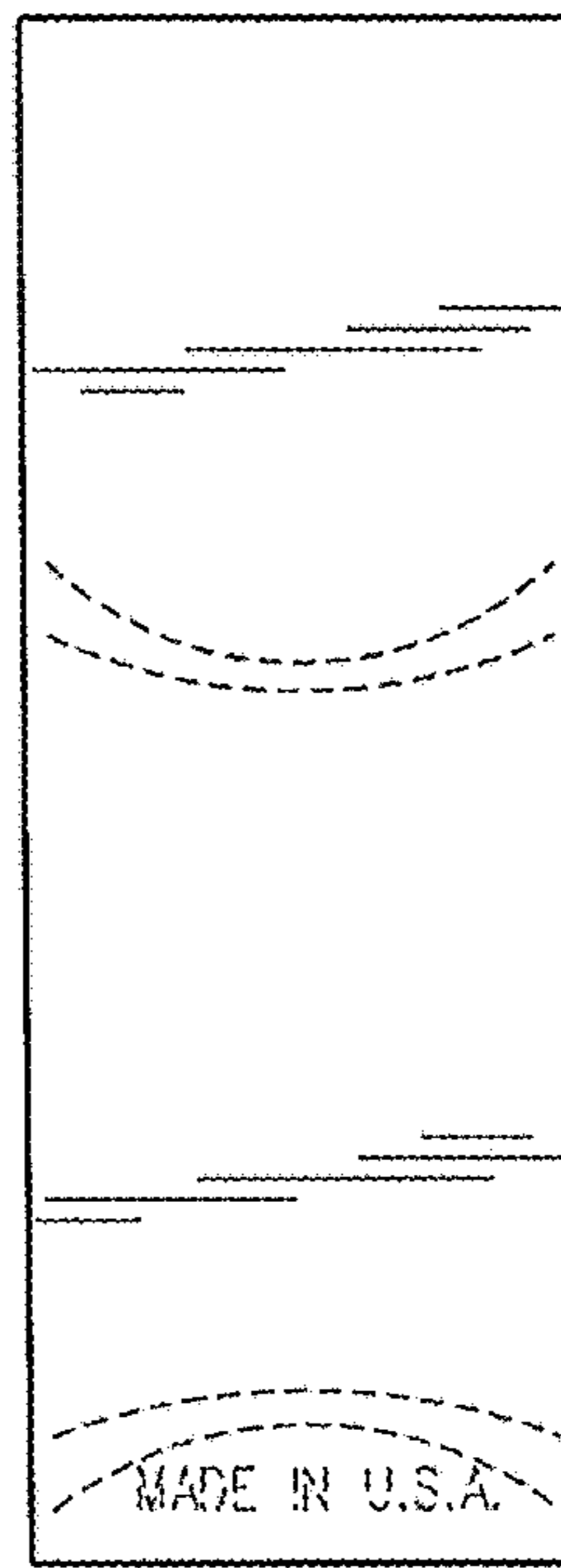


FIG. 5

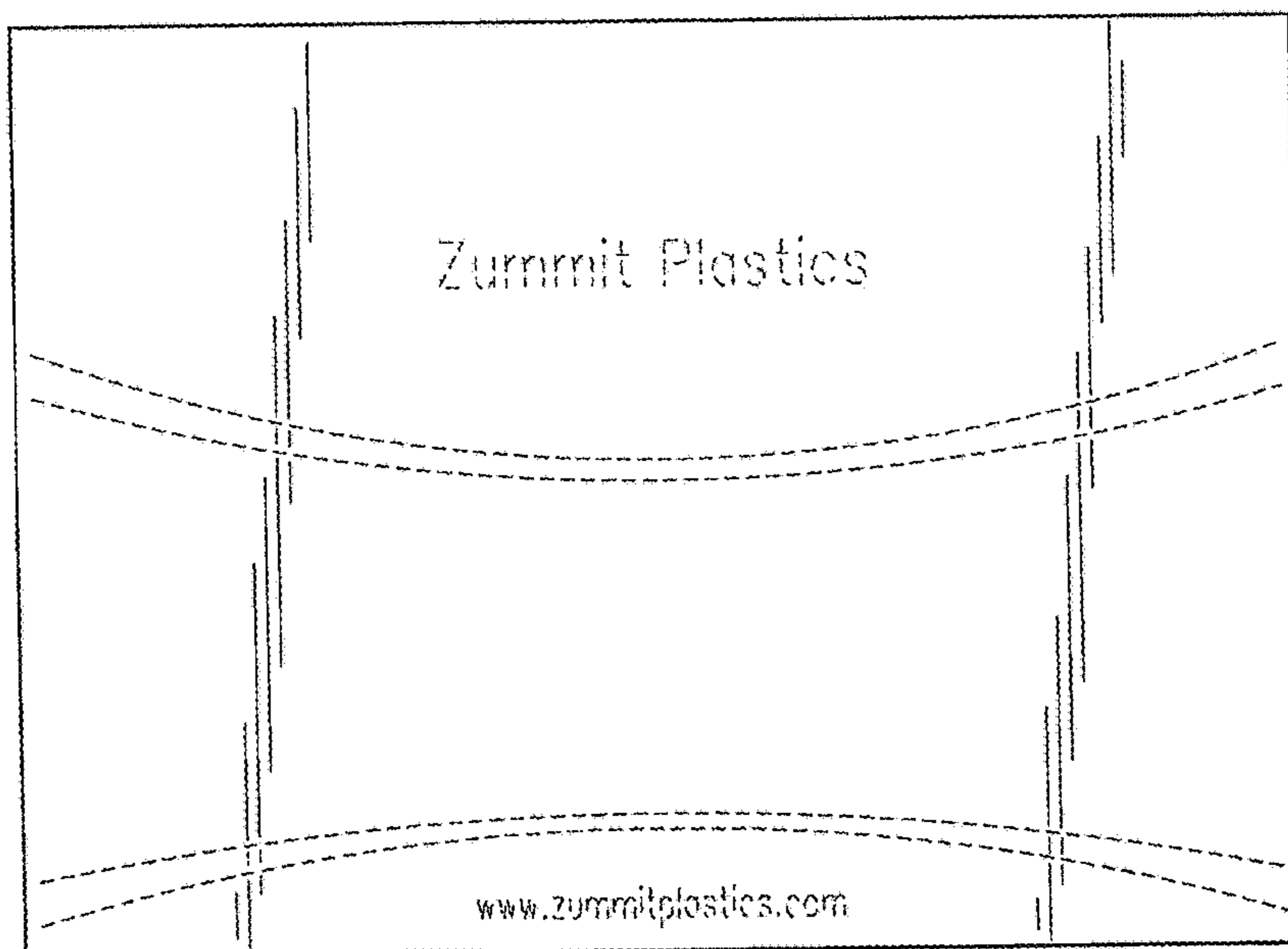


FIG. 6

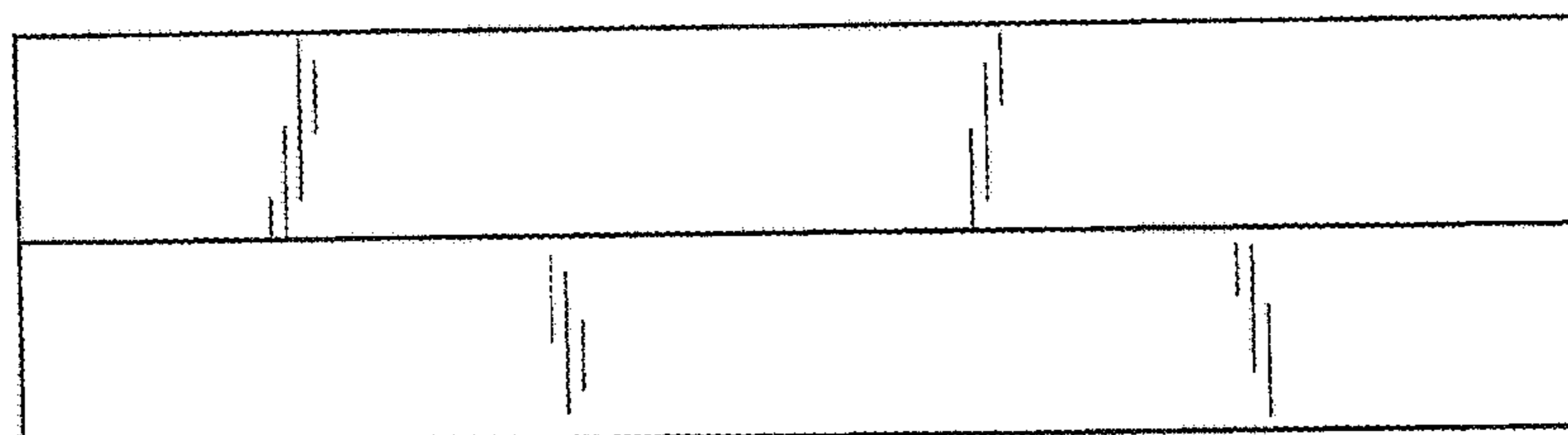


FIG. 7

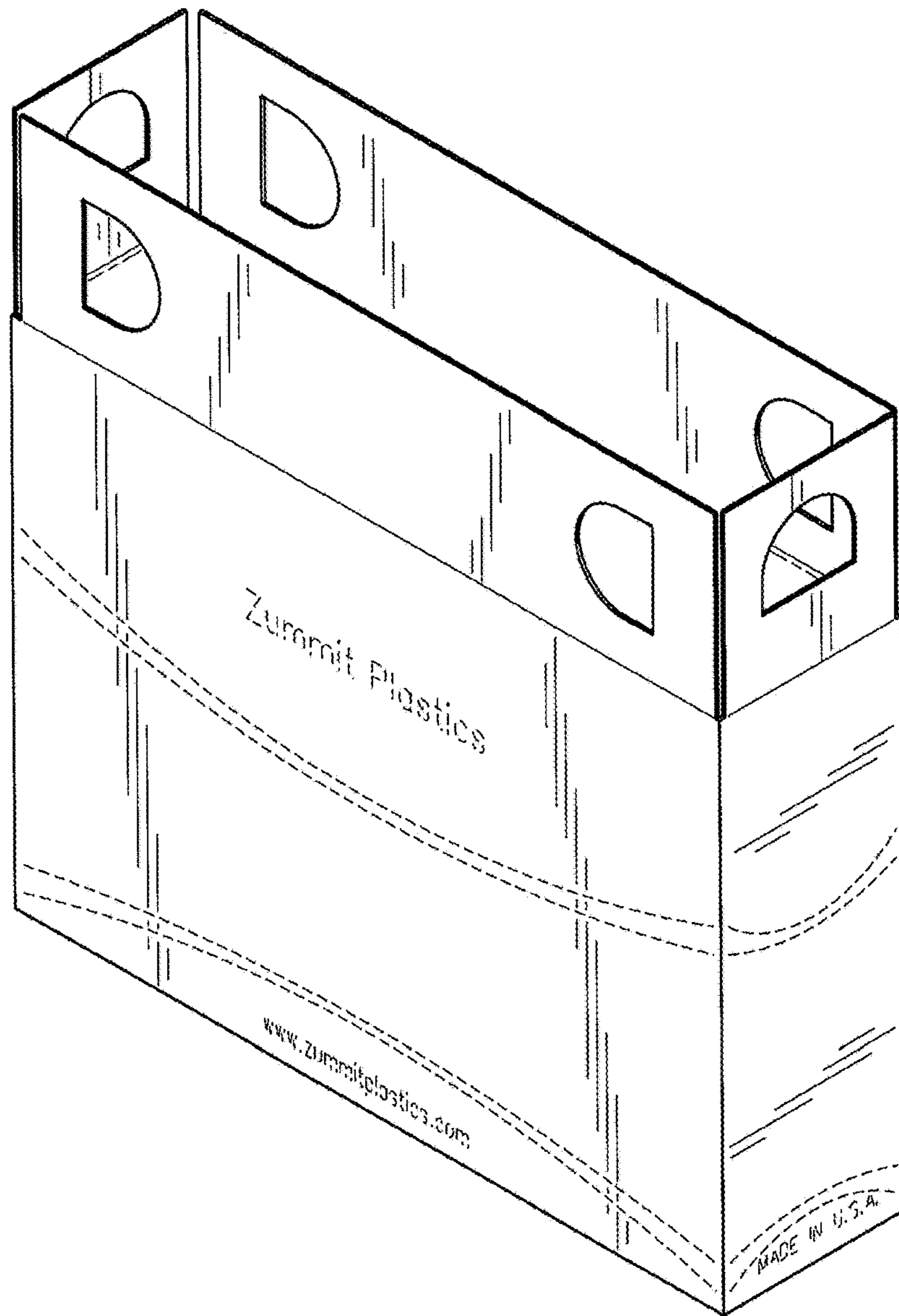


FIG. 8

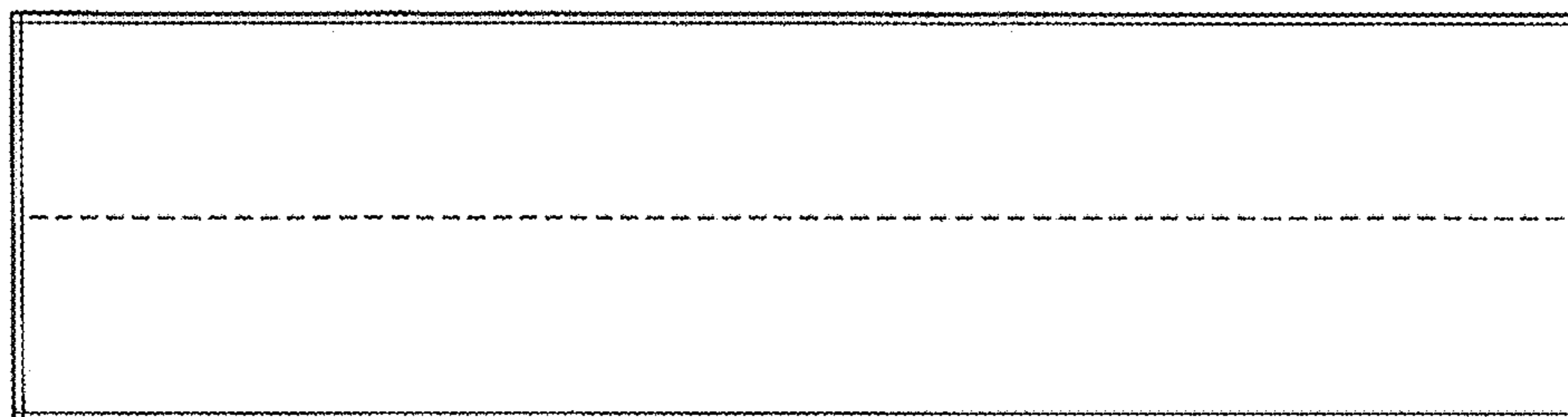


FIG. 9

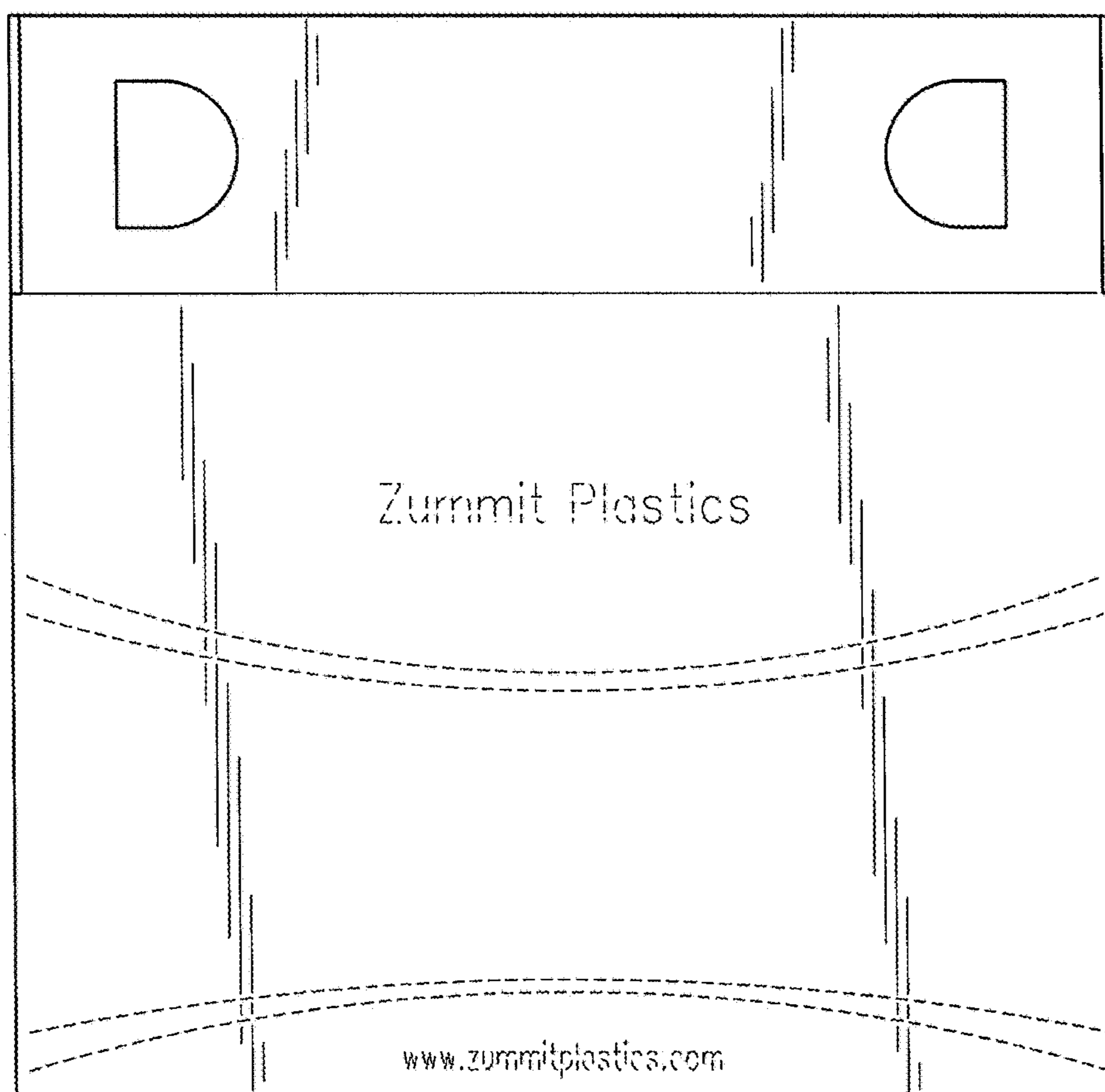


FIG. 10

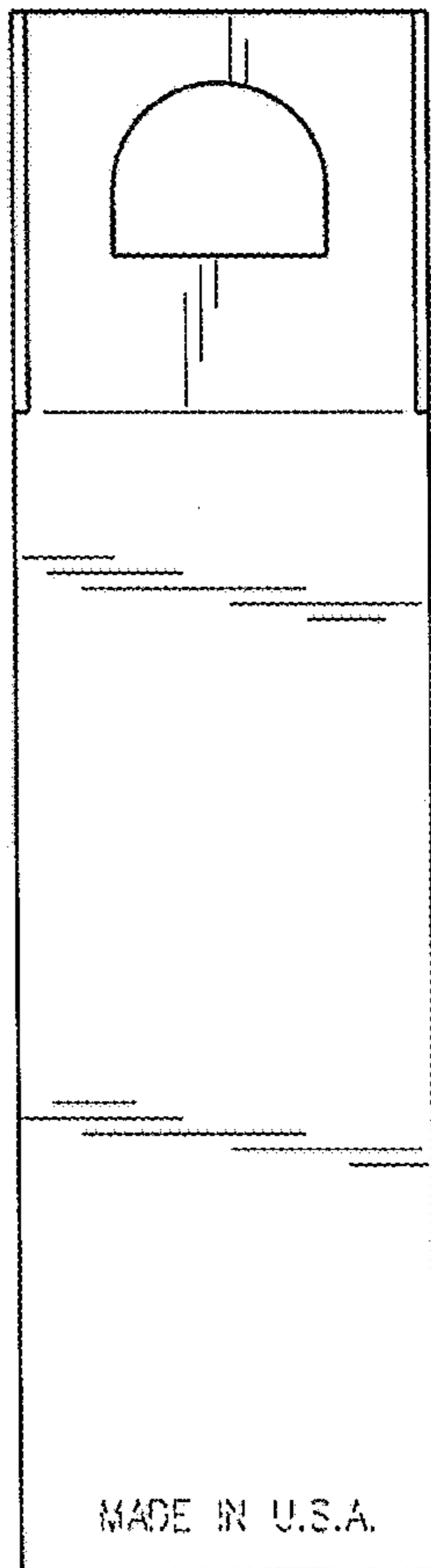


FIG. 11

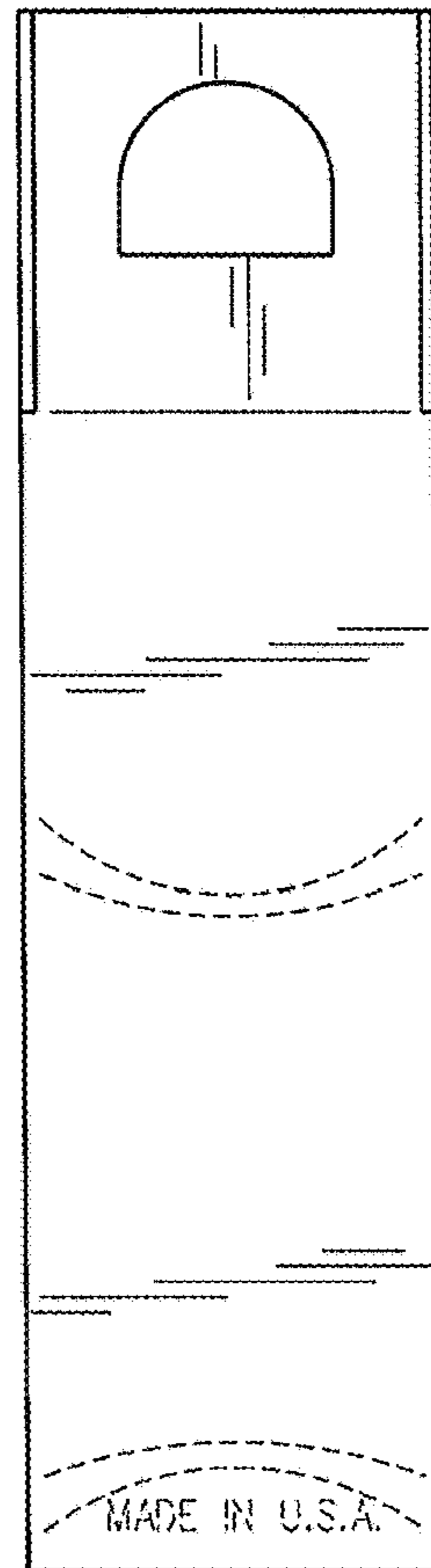


FIG. 12

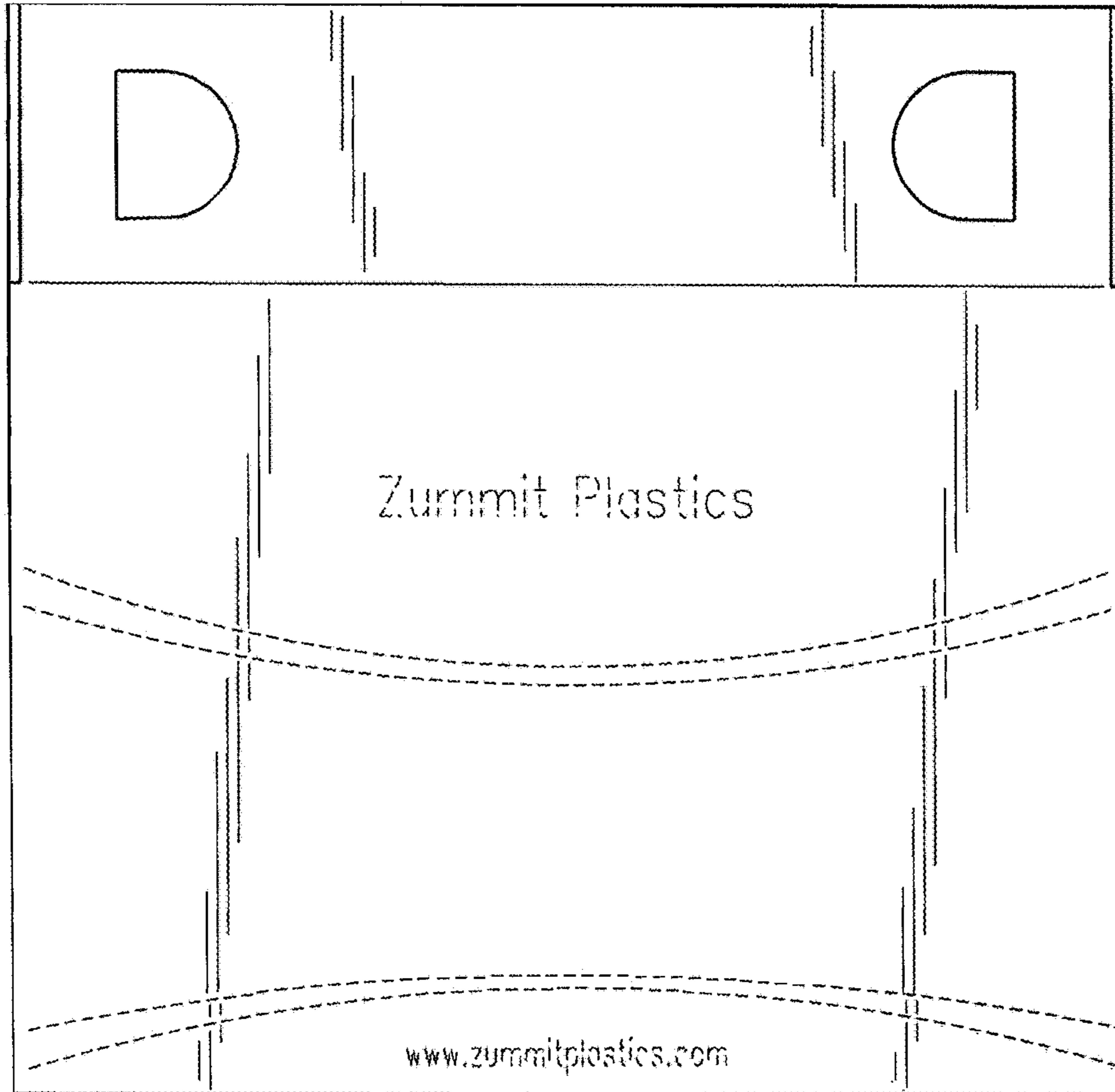


FIG. 13

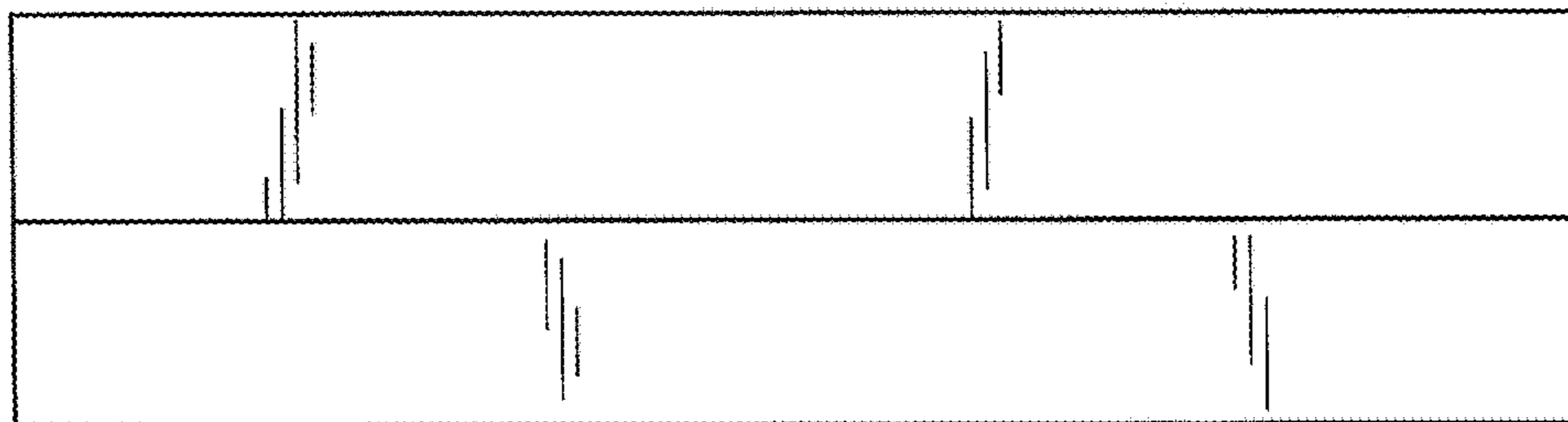


FIG. 14