



US00D863055S

(12) **United States Design Patent**
Hudson et al.

(10) **Patent No.:** **US D863,055 S**
(45) **Date of Patent:** **** Oct. 15, 2019**

(54) **STORAGE CONTAINER**

(71) Applicant: **THE SHERWIN-WILLIAMS COMPANY**, Cleveland, OH (US)

(72) Inventors: **Richard D. Hudson**, North Olmsted, OH (US); **James J. Johnson**, Akron, OH (US); **Gustavo A. Morales**, Brunswick, OH (US)

(73) Assignee: **THE SHERWIN-WILLIAMS COMPANY**, Cleveland, OH (US)

(**) Term: **15 Years**

(21) Appl. No.: **29/580,170**

(22) Filed: **Oct. 6, 2016**

Related U.S. Application Data

(63) Continuation-in-part of application No. 29/558,788, filed on Mar. 21, 2016, now abandoned.

(51) **LOC (12) Cl.** **09-01**

(52) **U.S. Cl.**
USPC **D9/430; D9/559**

(58) **Field of Classification Search**
USPC D7/300–322, 391–396.2, 509–511, 523, D7/589, 598, 612, 615, 619.1; D9/435,
(Continued)

(56) **References Cited**

U.S. PATENT DOCUMENTS

D73,368 S * 8/1927 Cavanaugh D9/544
2,019,787 A * 11/1935 Leopold B65D 5/3685
229/108.1

(Continued)

FOREIGN PATENT DOCUMENTS

EP 0 162 727 A2 11/1985

OTHER PUBLICATIONS

“Octagon cardboard candy packaging box with clear pvc window.” alibaba.com. Date not available. Accessed Jul. 18, 2018. Available online at URL: <https://www.alibaba.com/product-detail/Octagon-cardboard-candy-packaging-box-with_60750531711.html?spm=a2700.7724857.main07.40.2fcd1433ByCIKC> (Year: N/A).*

(Continued)

Primary Examiner — Cathron C Brooks

Assistant Examiner — Christian P. McLean

(74) *Attorney, Agent, or Firm* — Tucker Ellis LLP; Carlos Garritano

(57) **CLAIM**

The ornamental design for a storage container, as shown and described.

DESCRIPTION

FIG. 1 is a perspective view of a storage container having a lid assembly that includes an end cap and a lid with an opening, wherein a body of the container is shown in dashed lines, and the lid is shown in dashed lines;

FIG. 2 is a bottom perspective view of the lid assembly illustrated in FIG. 1;

FIG. 3 is left side view of the lid assembly illustrated in FIG. 1;

FIG. 4 is a front view of the lid assembly illustrated in FIG. 1;

FIG. 5 is a right side view of the lid assembly illustrated in FIG. 1;

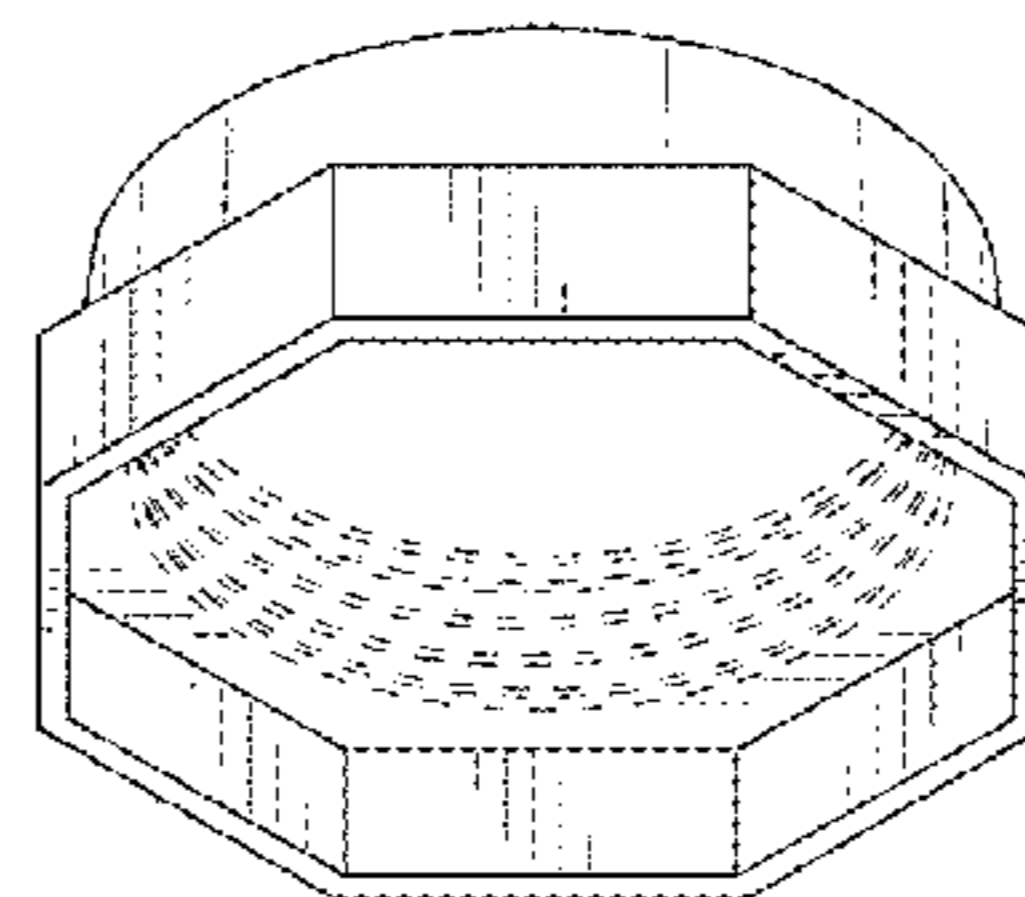
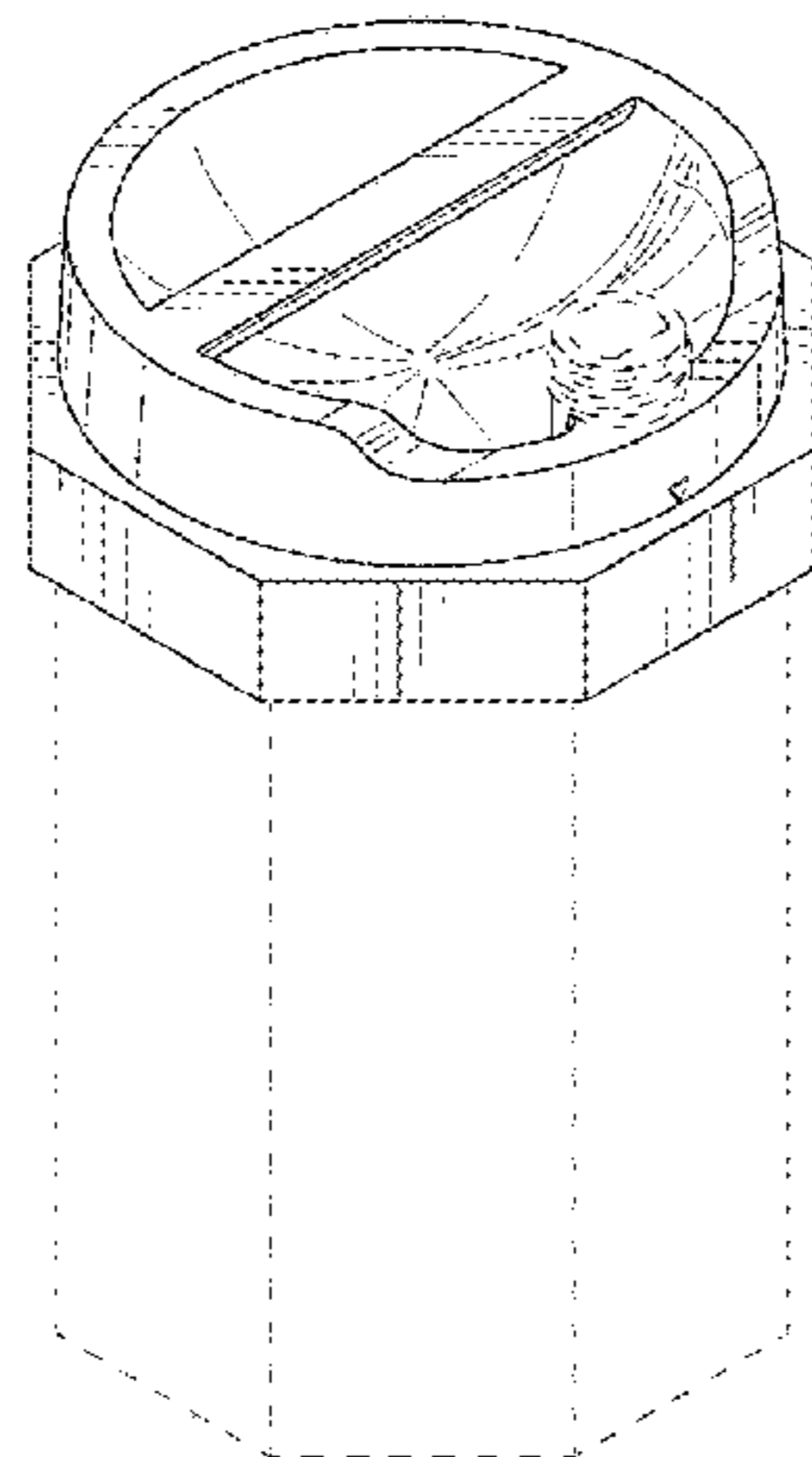
FIG. 6 is a rear view of the lid assembly illustrated in FIG. 1;

FIG. 7 is a top view of the lid assembly illustrated in FIGS. 1; and,

FIG. 8 is a bottom view of the lid assembly illustrated in FIG. 1.

The broken lines illustrate portions of the storage container that form no part of the claim.

1 Claim, 4 Drawing Sheets



(58) **Field of Classification Search**

USPC D9/436, 439, 440, 443, 447, 454, 500,
 D9/503–505, 516–575, 763–783;
 215/40–55, 316–354, 370–385;
 220/574–575
 CPC B65D 1/00; B65D 1/02; B65D 1/0223;
 B65D 1/023; B65D 1/0276
 See application file for complete search history.

(56) **References Cited**

U.S. PATENT DOCUMENTS

2,713,938 A * 7/1955 Snyder B65D 85/04
 206/395
 2,819,833 A * 1/1958 Sauer B65D 5/2033
 229/109
 3,204,849 A * 9/1965 Vinney B65D 5/14
 206/807
 D206,306 S * 11/1966 Holms D6/678
 4,205,775 A * 6/1980 Swan B65D 5/12
 206/509
 D268,385 S * 3/1983 Sinopoli D30/101
 4,623,063 A * 11/1986 Balkin B65D 85/04
 206/303
 D328,168 S * 7/1992 Bartle D34/1
 D328,706 S * 8/1992 Ruff D9/430
 D334,805 S * 4/1993 Ivey D24/131
 D385,186 S * 10/1997 Fildan D9/430
 D393,999 S 5/1998 Gruenbacher et al.
 5,775,571 A * 7/1998 Edelman B65D 5/12
 229/108.1
 D411,079 S * 6/1999 Graham D7/624.2
 6,161,696 A * 12/2000 Lashley B65D 21/0228
 206/477
 6,412,686 B1 * 7/2002 Mahl B65D 5/0281
 220/738
 6,415,927 B1 * 7/2002 Stone B65D 19/06
 206/600
 D465,726 S 11/2002 Tet
 D474,682 S 5/2003 Berman
 D474,683 S 5/2003 Berman

D489,605 S 5/2004 Berman
 D490,310 S * 5/2004 Aggenberg D9/430
 D532,703 S 11/2006 Wild
 D563,797 S 3/2008 McMorris
 D583,255 S 12/2008 Castor
 D585,763 S 2/2009 Friebe et al.
 D599,676 S 9/2009 Friebe et al.
 D602,669 S * 10/2009 Gardner D34/7
 D650,274 S * 12/2011 Neumann D9/430
 D679,148 S * 4/2013 Schwartz D7/629
 9,290,310 B2 3/2016 Sinn et al.
 D756,037 S * 5/2016 Schlatter D28/85
 D772,056 S * 11/2016 O’Dowd D9/430
 D783,306 S * 4/2017 Gal D6/534
 D786,668 S * 5/2017 Cornaglia D9/418
 D821,746 S * 7/2018 Heyman D3/240
 D822,482 S * 7/2018 Dib D9/430
 D838,175 S * 1/2019 Giannantonio D9/516
 D840,238 S * 2/2019 Hudson D9/559
 D846,993 S * 4/2019 Nguyen D9/559
 2005/0067476 A1 * 3/2005 Hengami B65D 5/723
 229/129.1
 2015/0083715 A1 * 3/2015 Shuert B65D 19/0097
 220/1.5
 2017/0233160 A1 * 8/2017 Hudson B44D 3/12
 222/183

OTHER PUBLICATIONS

“(4 Pack) ChefLand 6"x6" Drip Tray Black Plastic Octagonal Shape.” amazon.com. First listed Jan. 27, 2013. Accessed Jul. 18, 2018. Available online at URL: <<https://www.amazon.com/ChefLand-Black-Plastic-Octagonal-Shape/dp/B00B6S6BCG>> (Year: 2013).
 Machin, Alec, Decorate Paints—Alec Machin Design, company website, <<http://www.alecmachindesigns.com/decorate-paints/>>, UK, accessed Mar. 23, 2016.
 Muoio, Danielle, “Redesigning the Paint Can to Save Millions of Gallons of Paint”, Bloomberg Business, Aug. 8, 2014, US <<https://www.bloomberg.com/news/articles/2014-08-08/redesigning-paint>>, accessed Mar. 23, 2016.

* cited by examiner

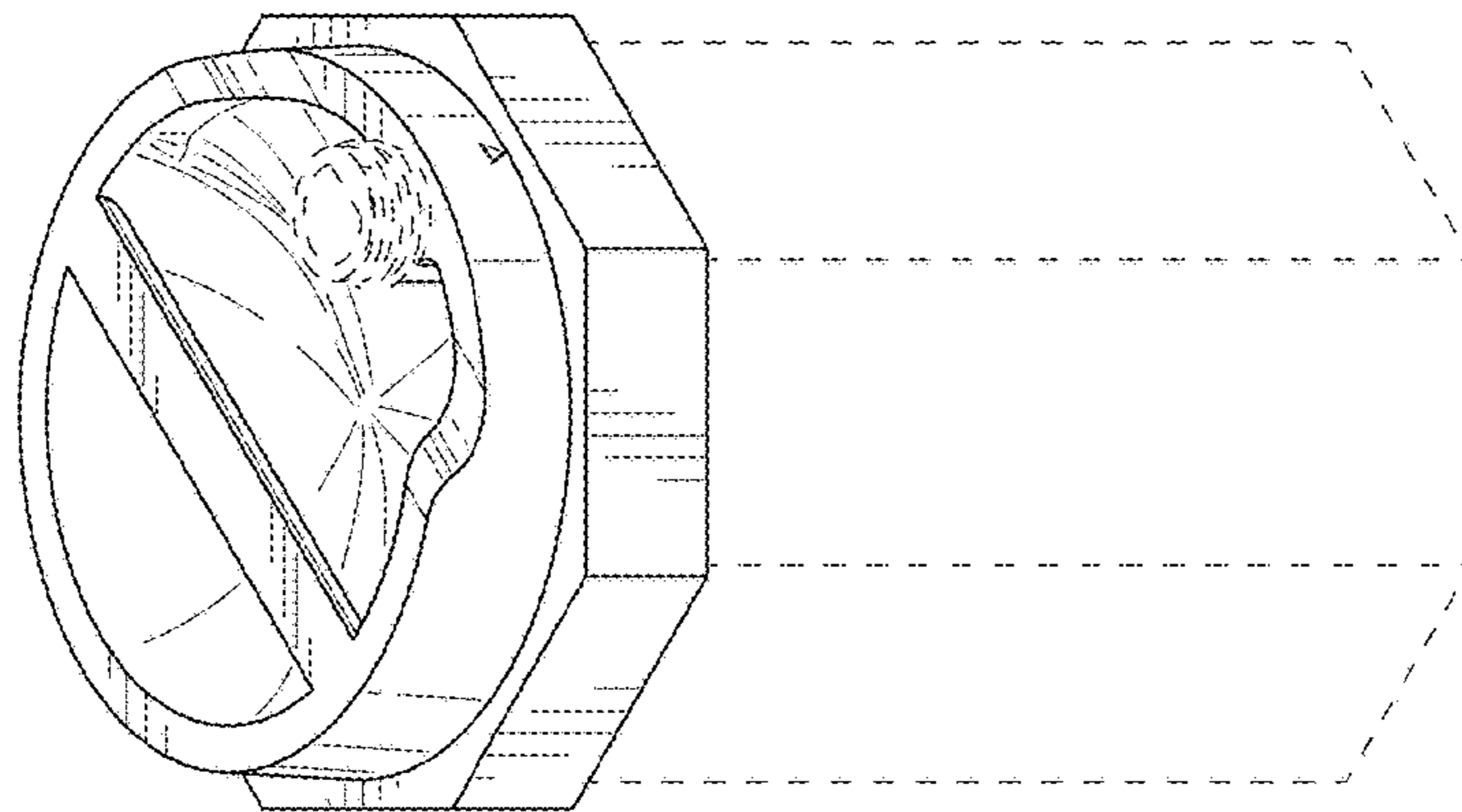


FIG. 1

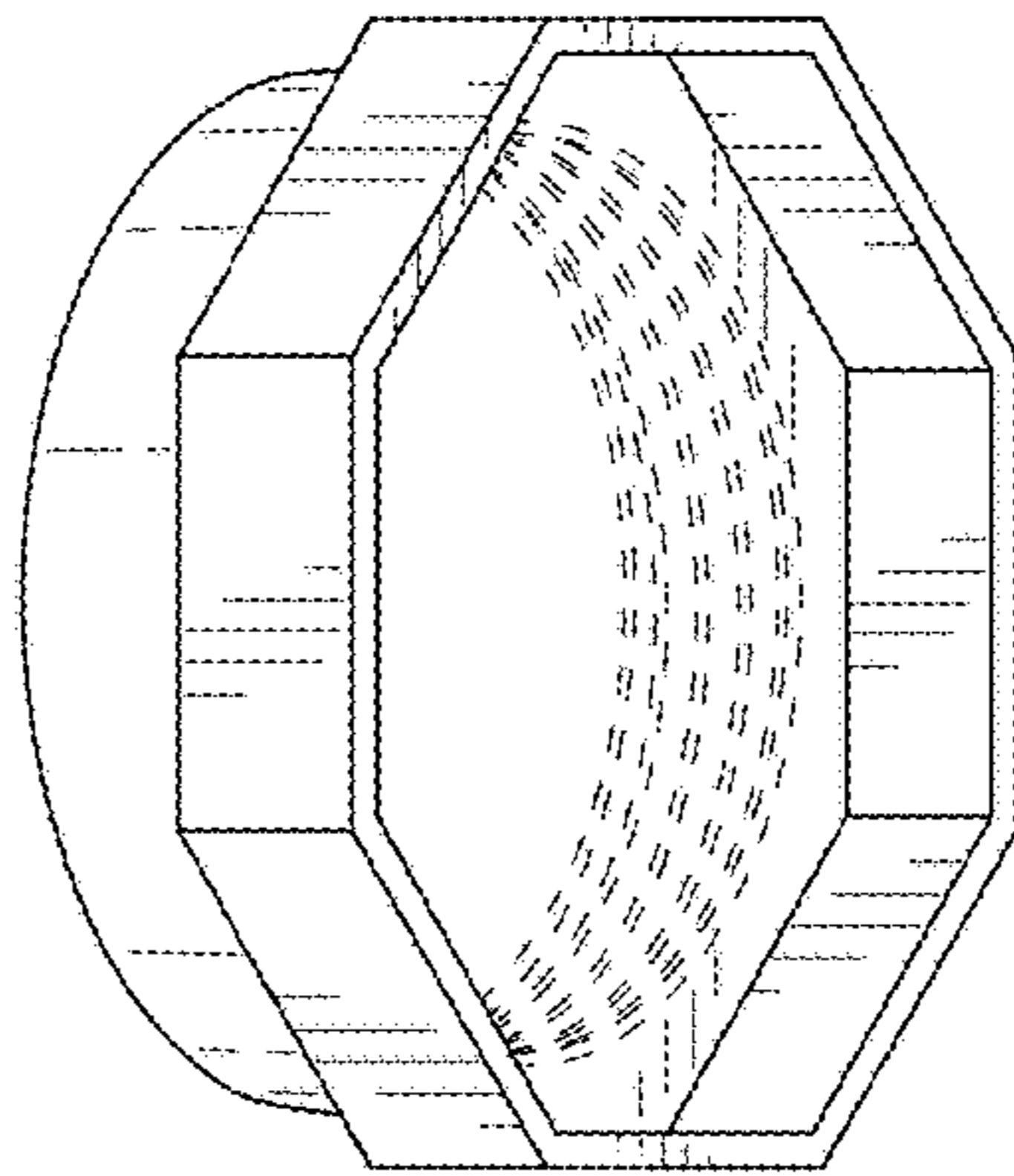


FIG. 2

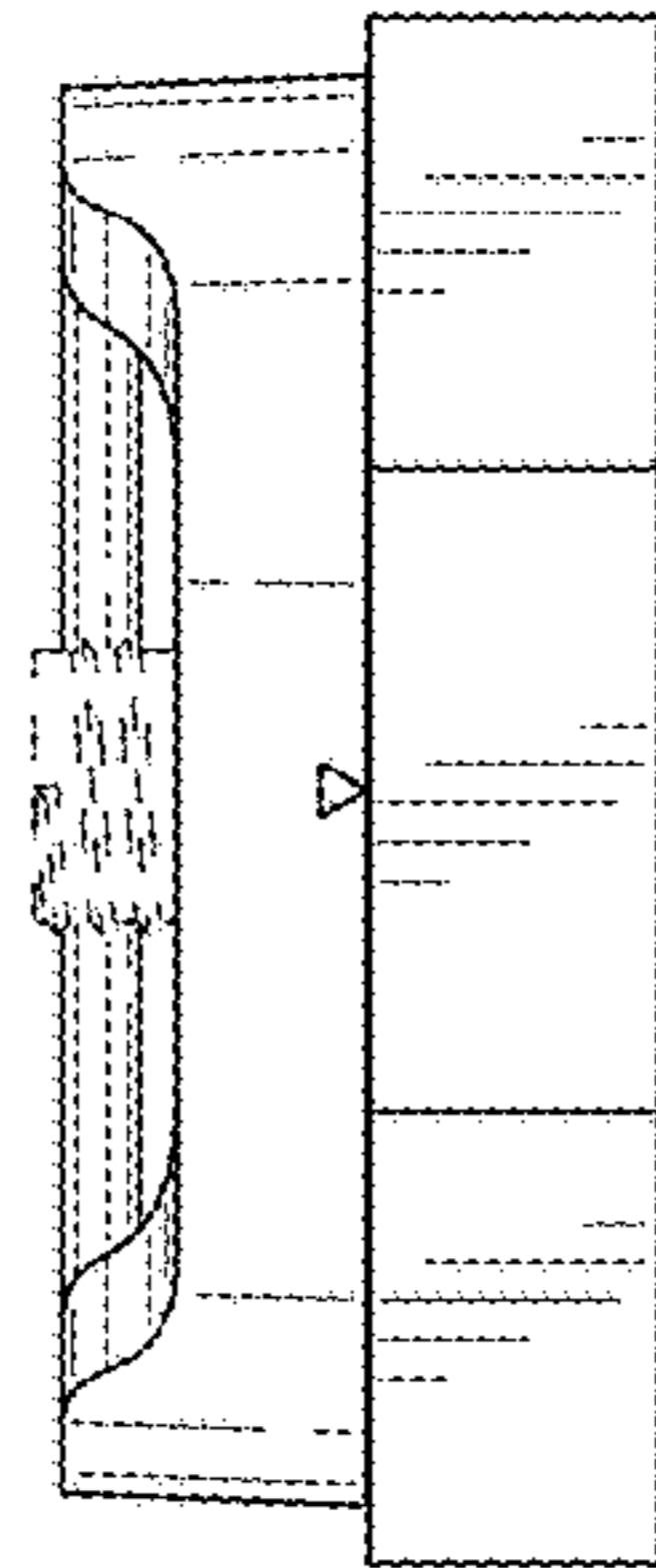


FIG. 3

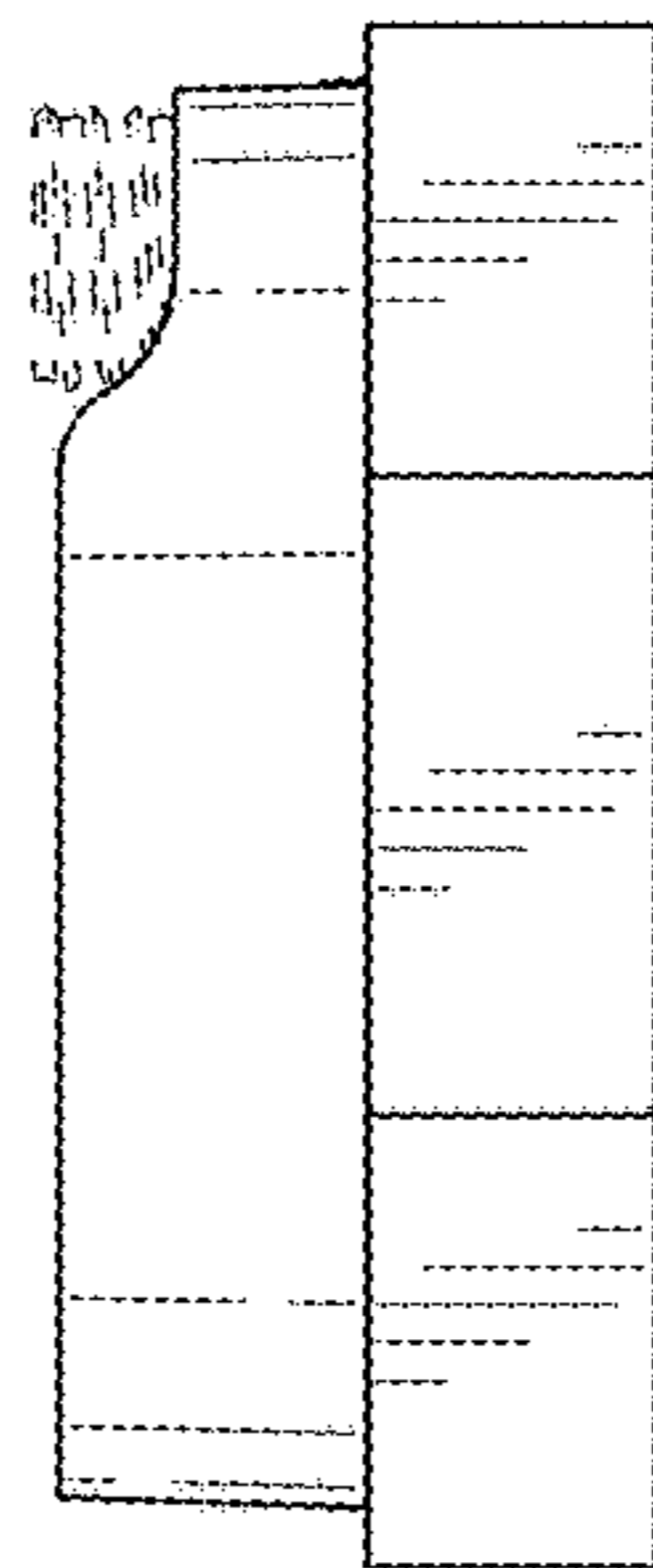


FIG. 4

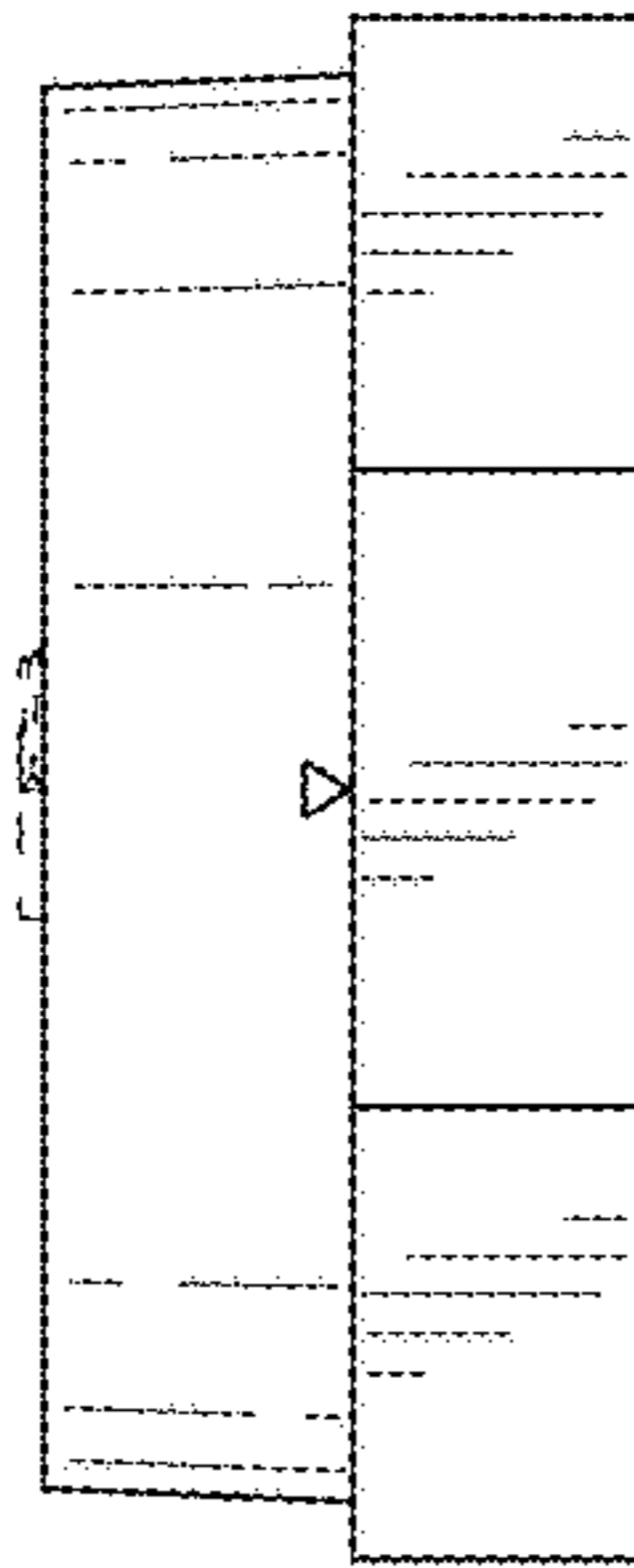


FIG. 5

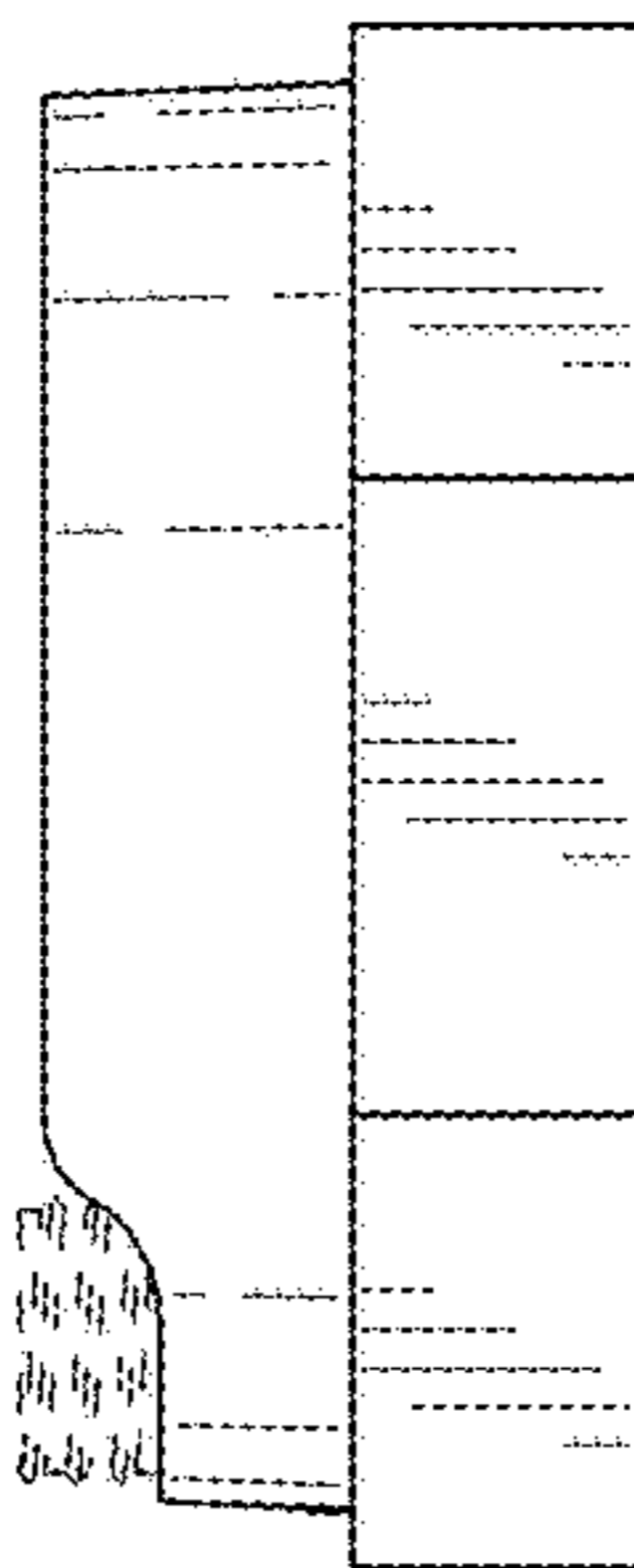


FIG. 6

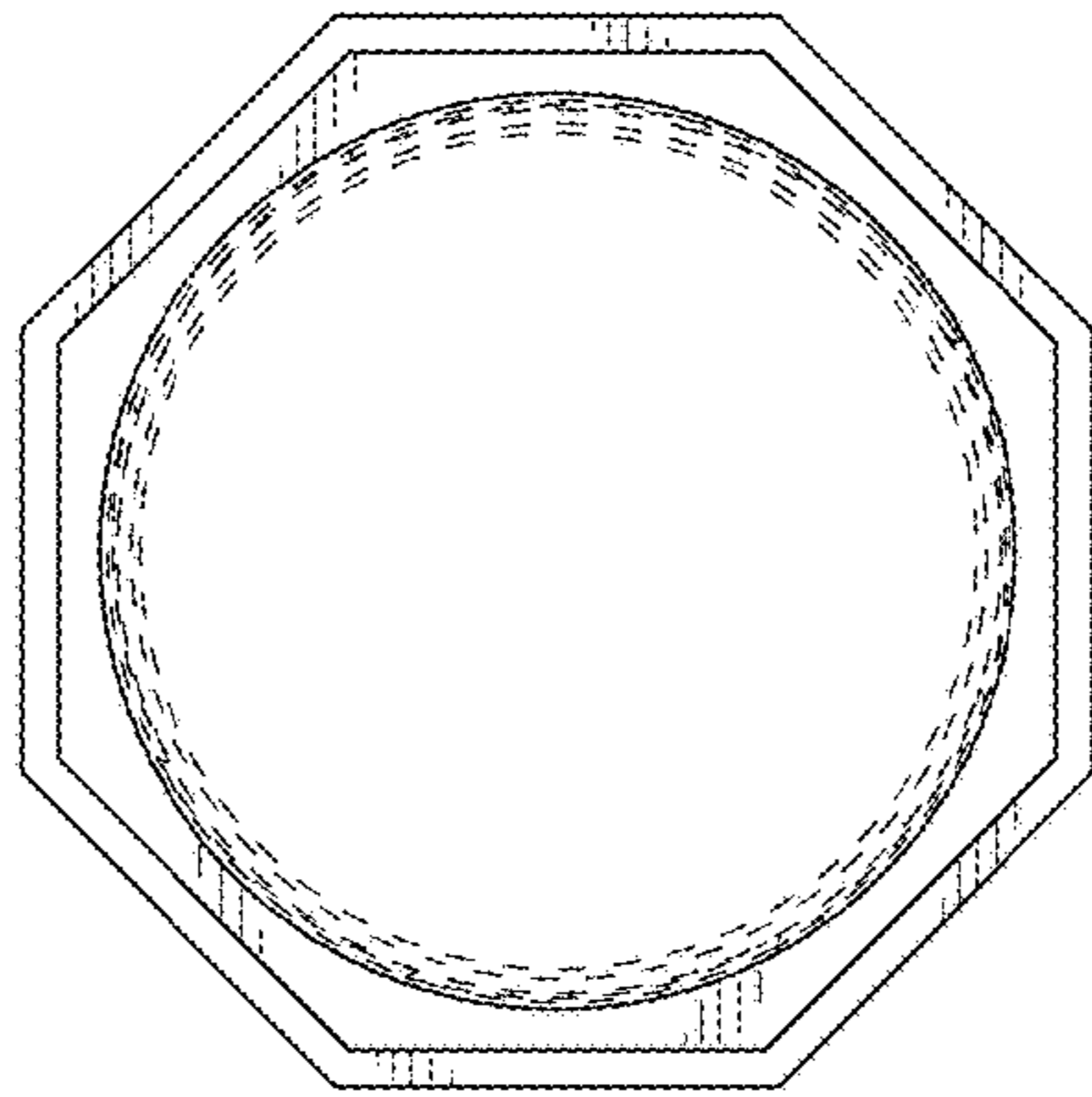


FIG. 8

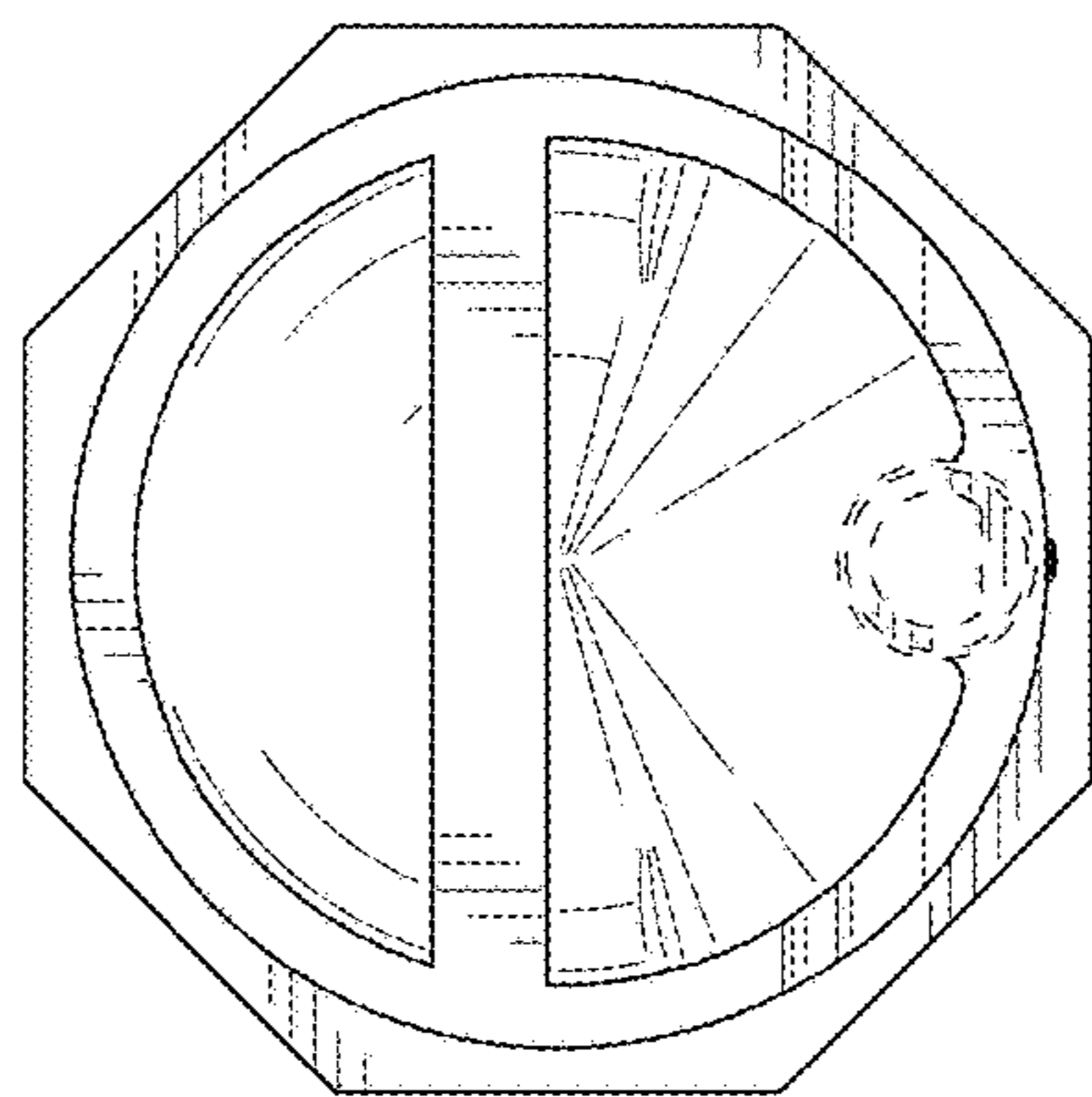


FIG. 7