



US00D863054S

(12) **United States Design Patent**
Wenck

(10) **Patent No.:** **US D863,054 S**
(45) **Date of Patent:** **** Oct. 15, 2019**

(54) **CONTAINER**

(71) Applicant: **Rowena Wenck**, Hurstville (AU)

(72) Inventor: **Rowena Wenck**, Hurstville (AU)

(**) Term: **15 Years**

(21) Appl. No.: **29/614,691**

(22) Filed: **Aug. 22, 2017**

(30) **Foreign Application Priority Data**

Mar. 3, 2017 (AU) 201711284

(51) **LOC (12) Cl.** **09-03**

(52) **U.S. Cl.**
USPC **D9/420**

(58) **Field of Classification Search**
USPC D9/420-421, 428, 504, 435, 423,
D9/414-419; D11/152; D28/82, 85, 5;
D3/294, 302; D13/108
CPC B65D 43/167; A45C 11/20; A24F 23/04
See application file for complete search history.

(56) **References Cited**

U.S. PATENT DOCUMENTS

- D278,370 S * 4/1985 Speitel D28/5
- D412,062 S * 7/1999 Potter D3/294
- H1855 H * 8/2000 Litton D28/82
- D455,552 S * 4/2002 Charness D3/302
- D523,750 S * 6/2006 Lee D28/82
- D540,169 S * 4/2007 Tanner D9/420
- D542,132 S * 5/2007 Pugne D9/449
- D544,167 S * 6/2007 Dukic, Jr. D34/3
- D561,022 S * 2/2008 Terrasi D9/424
- D562,133 S * 2/2008 Liebe D9/449
- D604,160 S * 11/2009 DeMarco D9/447
- D607,315 S * 1/2010 George D9/420
- 7,721,905 B2 * 5/2010 Metzdorf B65D 43/167
220/254.4
- D650,269 S * 12/2011 Berggren D9/423
- D664,840 S * 8/2012 Jones D9/423

- D677,572 S * 3/2013 Papiernik D9/420
- D708,940 S * 7/2014 Juna D9/420
- 8,869,980 B2 * 10/2014 Berggren A24F 23/04
206/256
- D722,405 S * 2/2015 Hwang D28/82
- D733,967 S * 7/2015 Schlatter D28/85
- D738,572 S * 9/2015 Kalyanpur D28/82
- D744,698 S * 12/2015 Kalyanpur D28/82
- 9,211,040 B2 * 12/2015 Lane A45C 11/20

(Continued)

FOREIGN PATENT DOCUMENTS

AU 353347 1/2014

Primary Examiner — Rhea Shields

(74) *Attorney, Agent, or Firm* — The Webb Law Firm

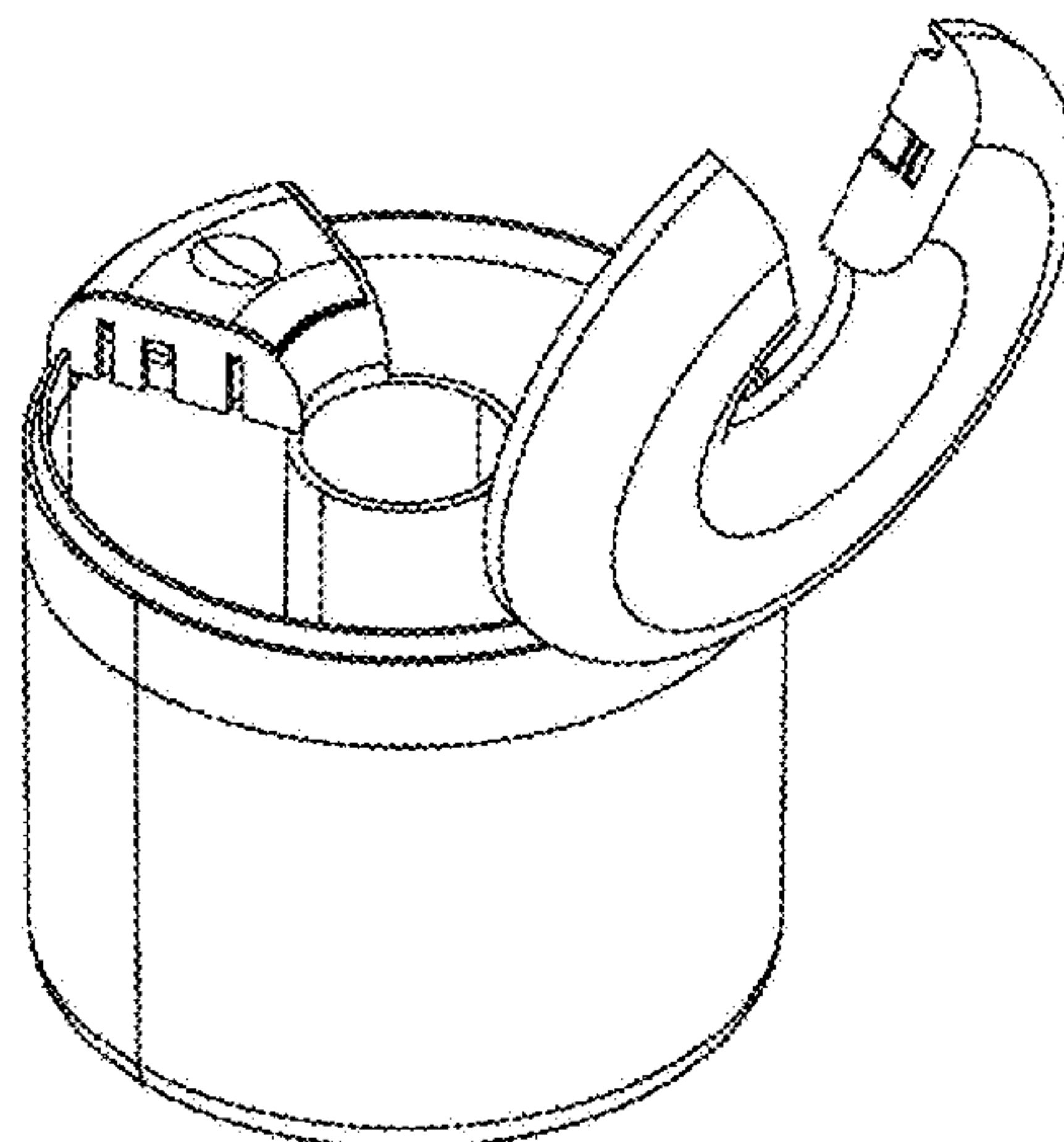
(57) **CLAIM**

The ornamental design for a container, as shown and described.

DESCRIPTION

FIG. 1 is a bottom view of a container showing my new design;
 FIG. 2 is a bottom view thereof in an open condition;
 FIG. 3 is a front view thereof;
 FIG. 4 is a front view thereof in an open condition;
 FIG. 5 is a front perspective view thereof;
 FIG. 6 is a front perspective view thereof in an open condition;
 FIG. 7 is a rear perspective view thereof;
 FIG. 8 is a rear perspective view thereof in an open condition;
 FIG. 9 is a rear view thereof;
 FIG. 10 is a rear view thereof in an open condition;
 FIG. 11 is side view thereof;
 FIG. 12 is a side view thereof in an open condition;
 FIG. 13 is a top view thereof; and,
 FIG. 14 is a top view thereof in an open condition.

1 Claim, 14 Drawing Sheets



(56)

References Cited

U.S. PATENT DOCUMENTS

D756,216 S *	5/2016	El-Debs	D9/420
D756,790 S *	5/2016	Henriksson	D9/504
D773,302 S *	12/2016	Henriksson	D9/451
D807,181 S *	1/2018	Xie	D9/504
D814,345 S *	4/2018	Siegel	D11/152
D816,994 S *	5/2018	Fischer	D3/294
D838,172 S *	1/2019	Tartock	D9/454
D845,790 S *	4/2019	Straughan	D9/772
D851,035 S *	6/2019	Hong	D13/108

* cited by examiner

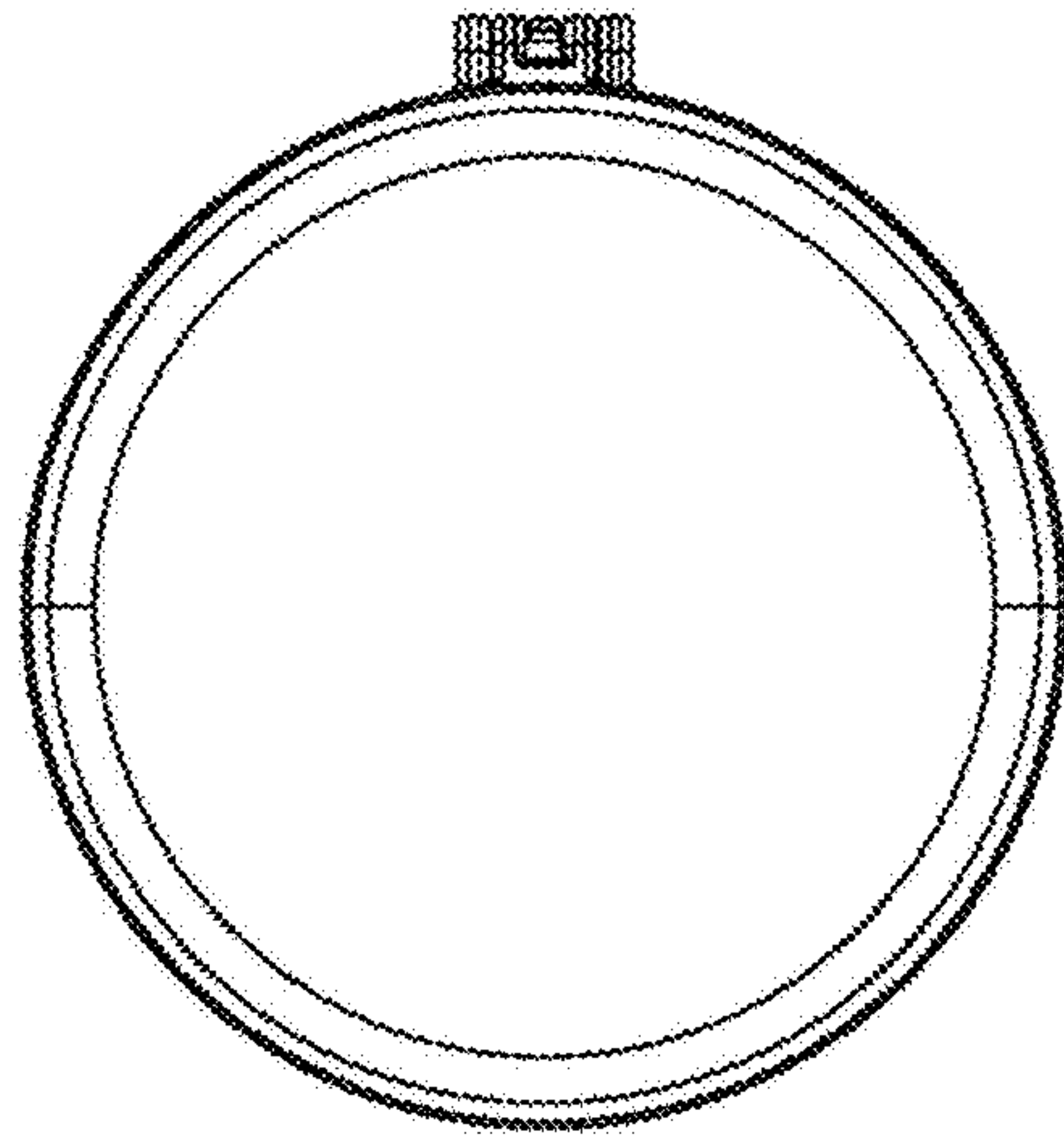


FIG. 1

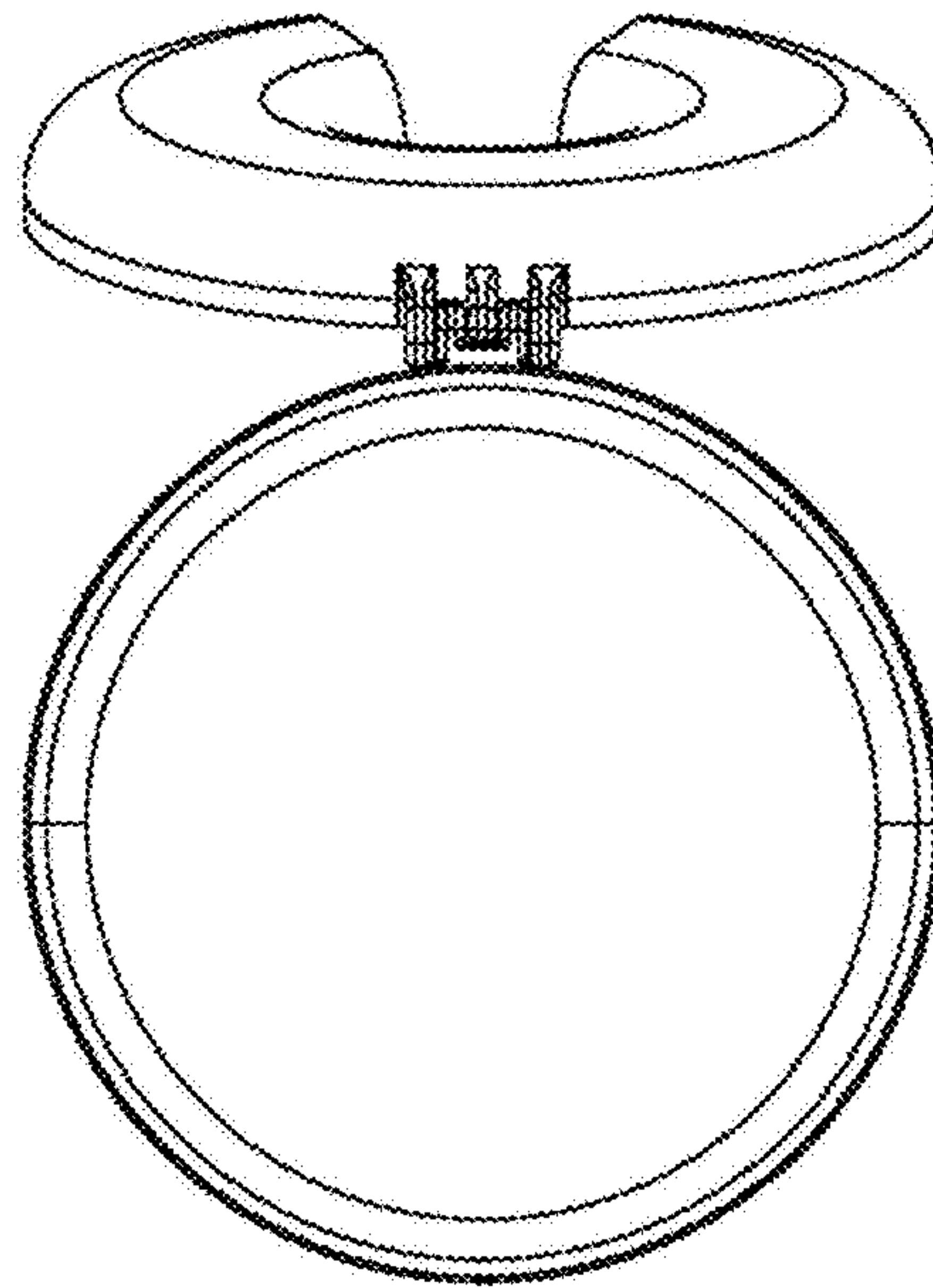


FIG. 2

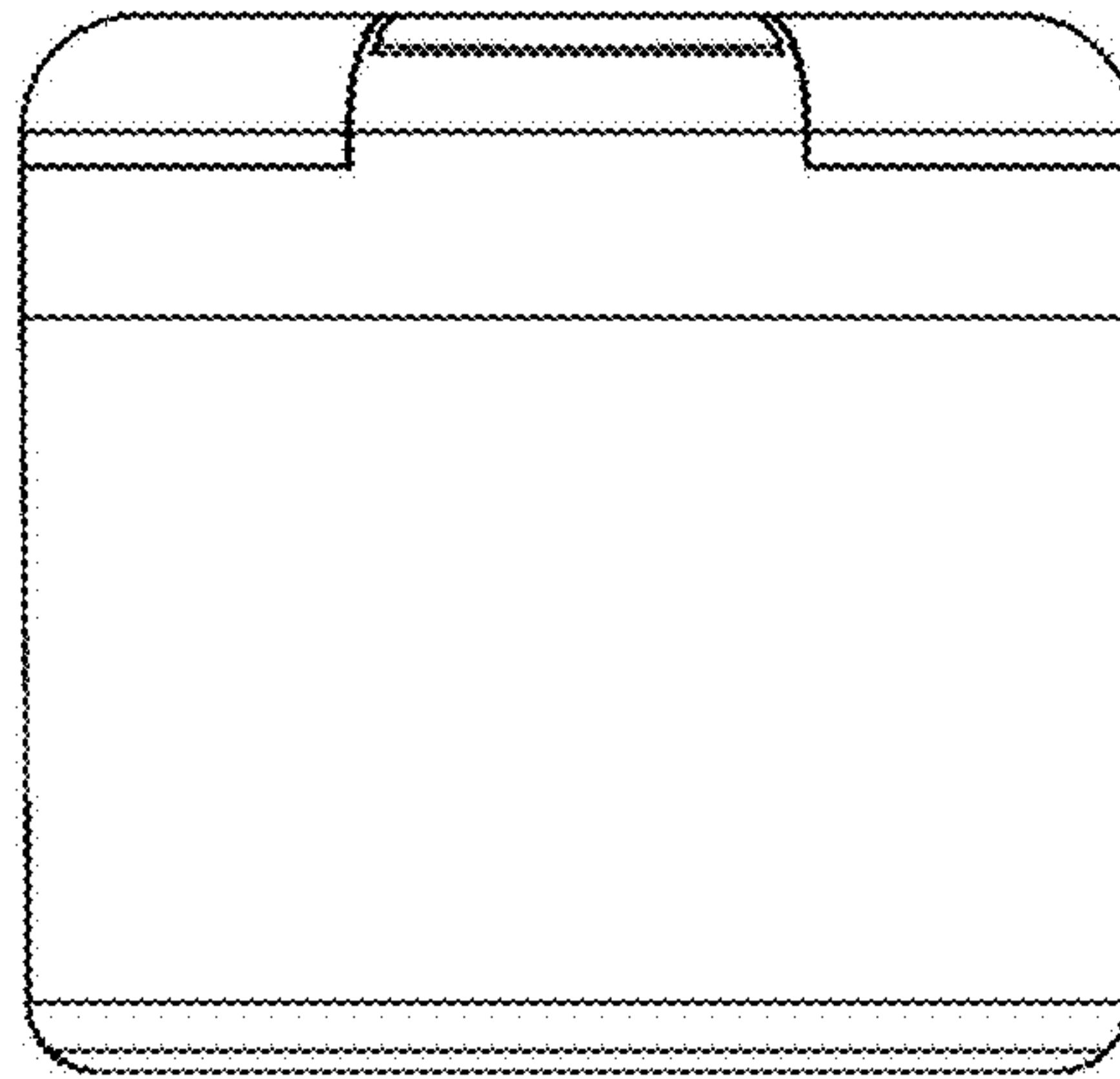


FIG. 3

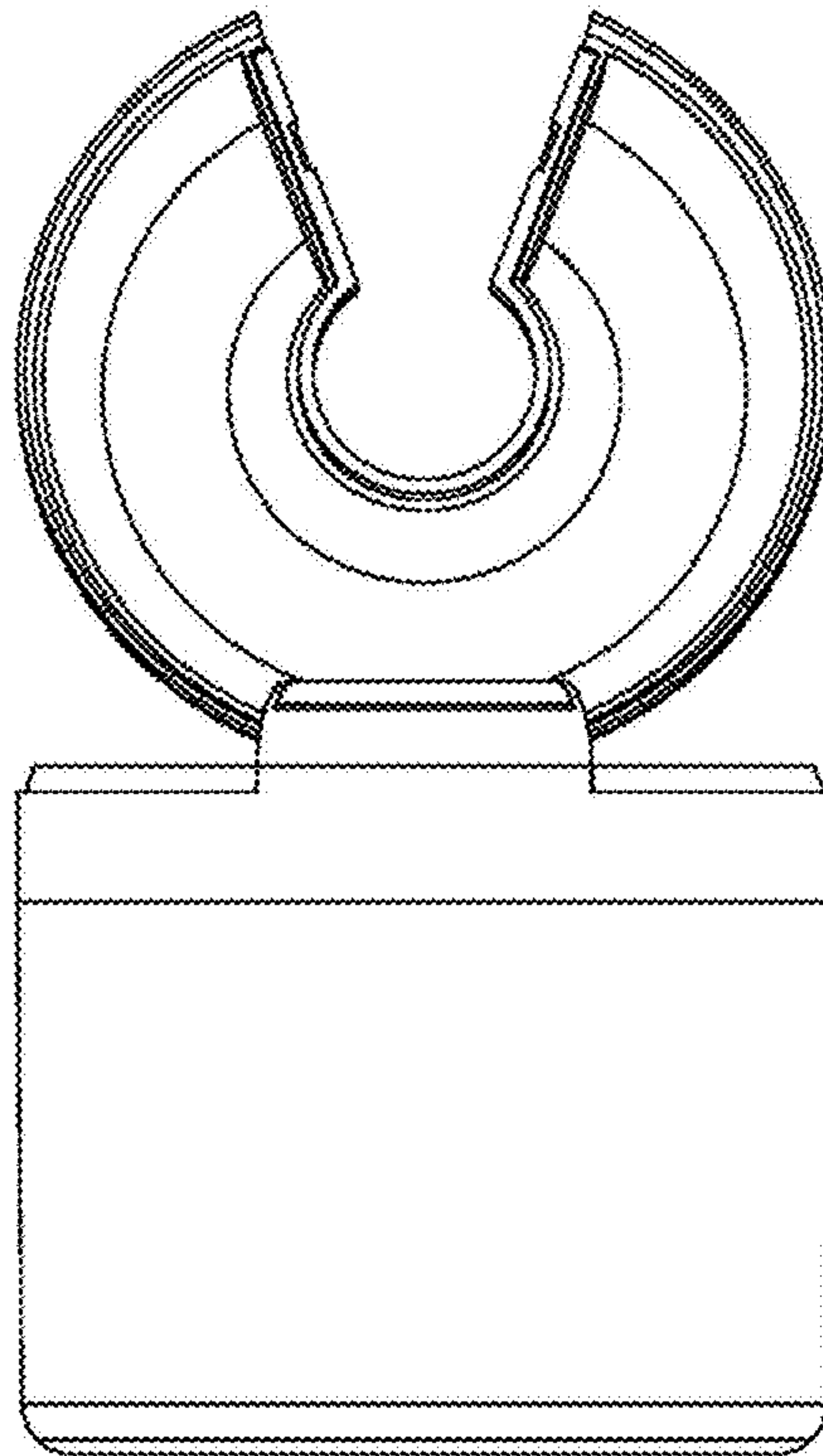


FIG. 4

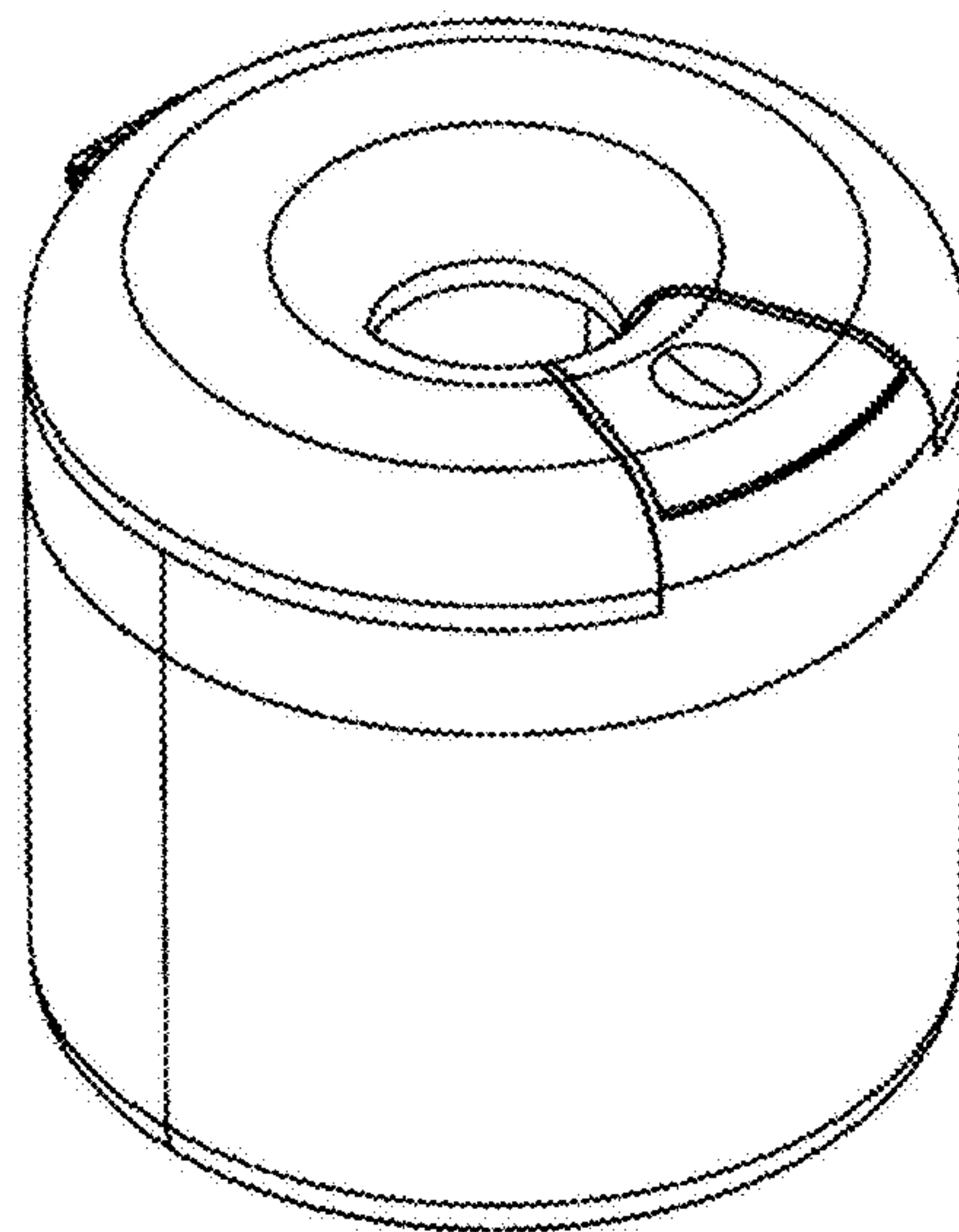


FIG. 5

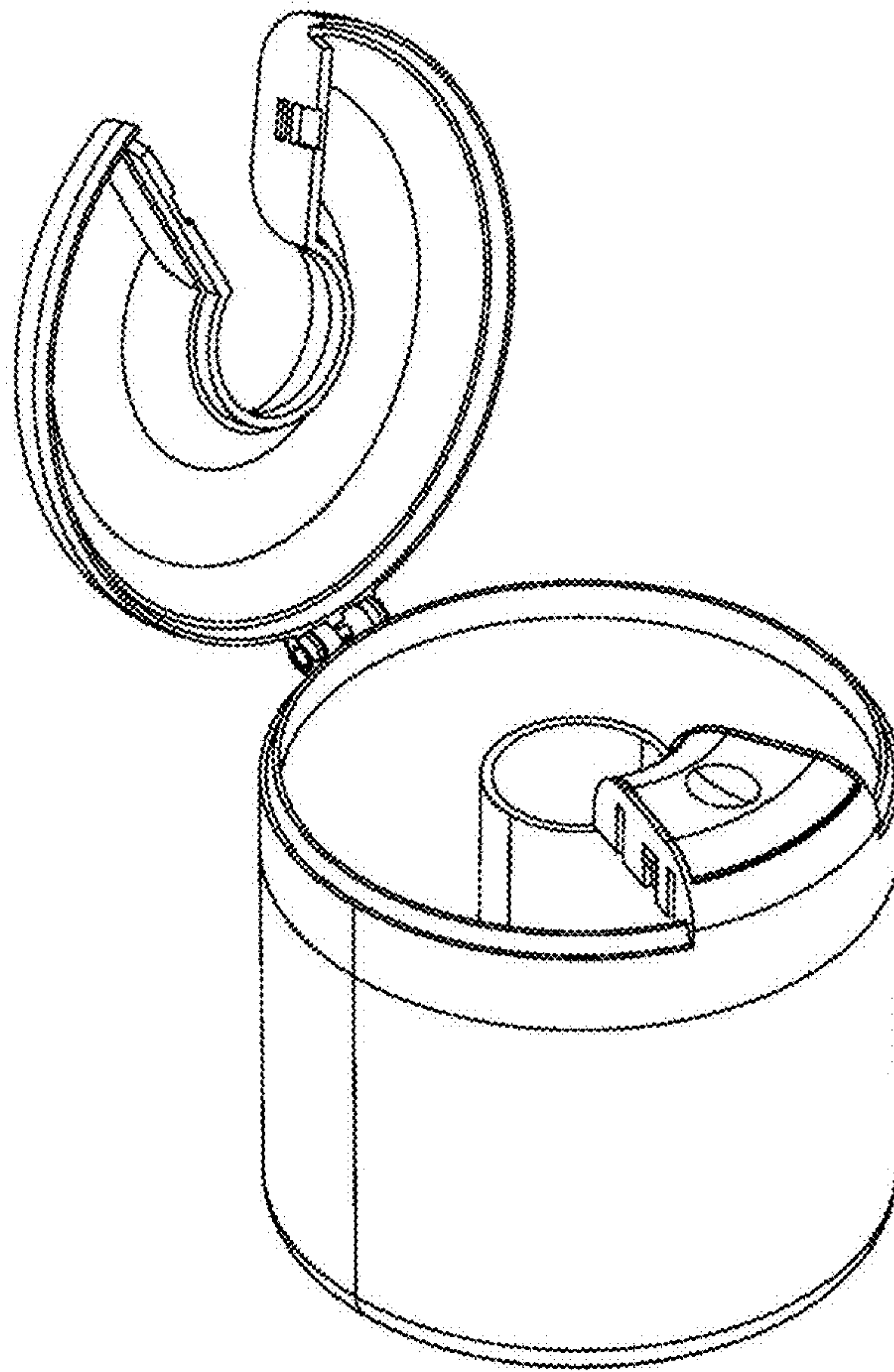


FIG. 6

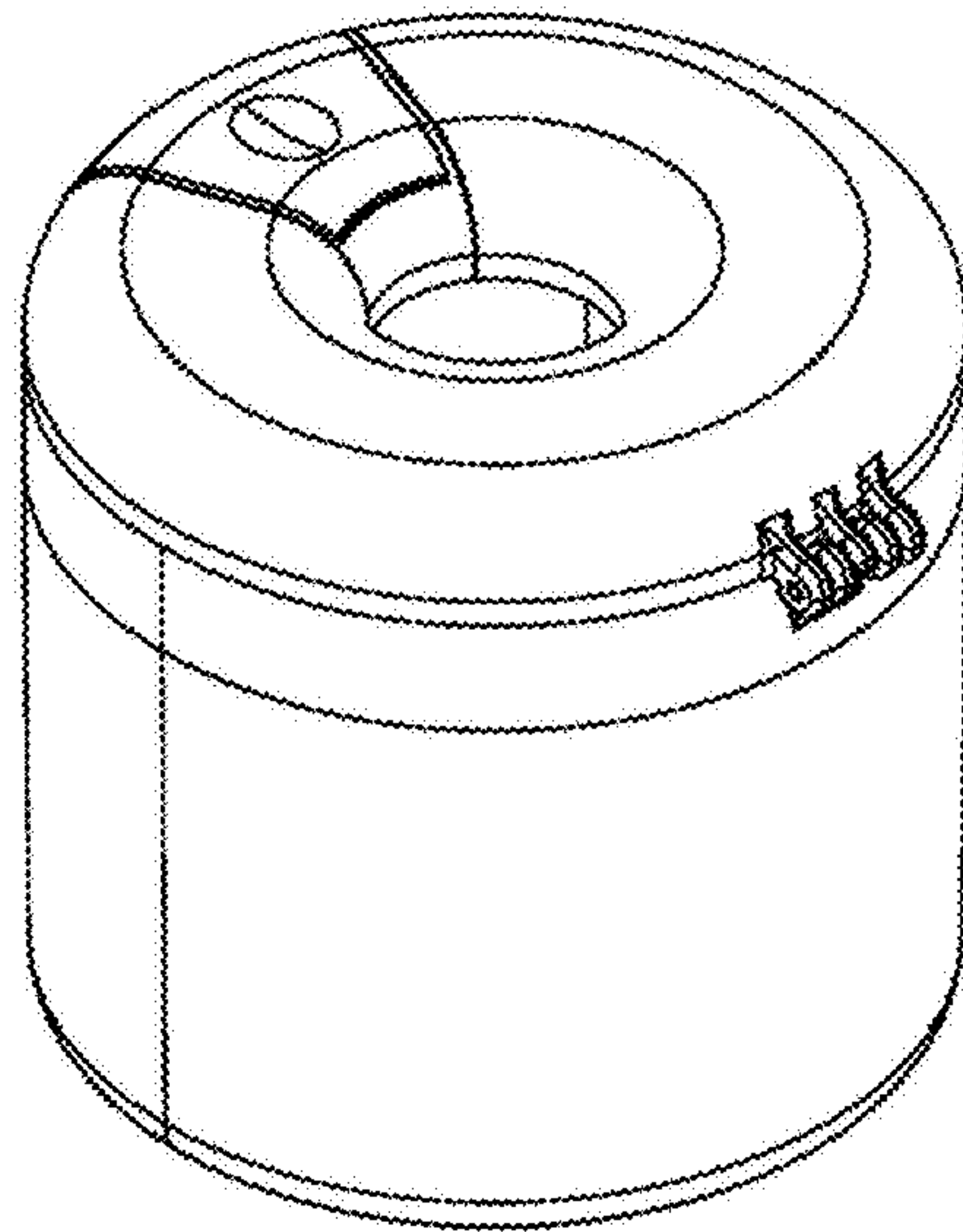


FIG. 7

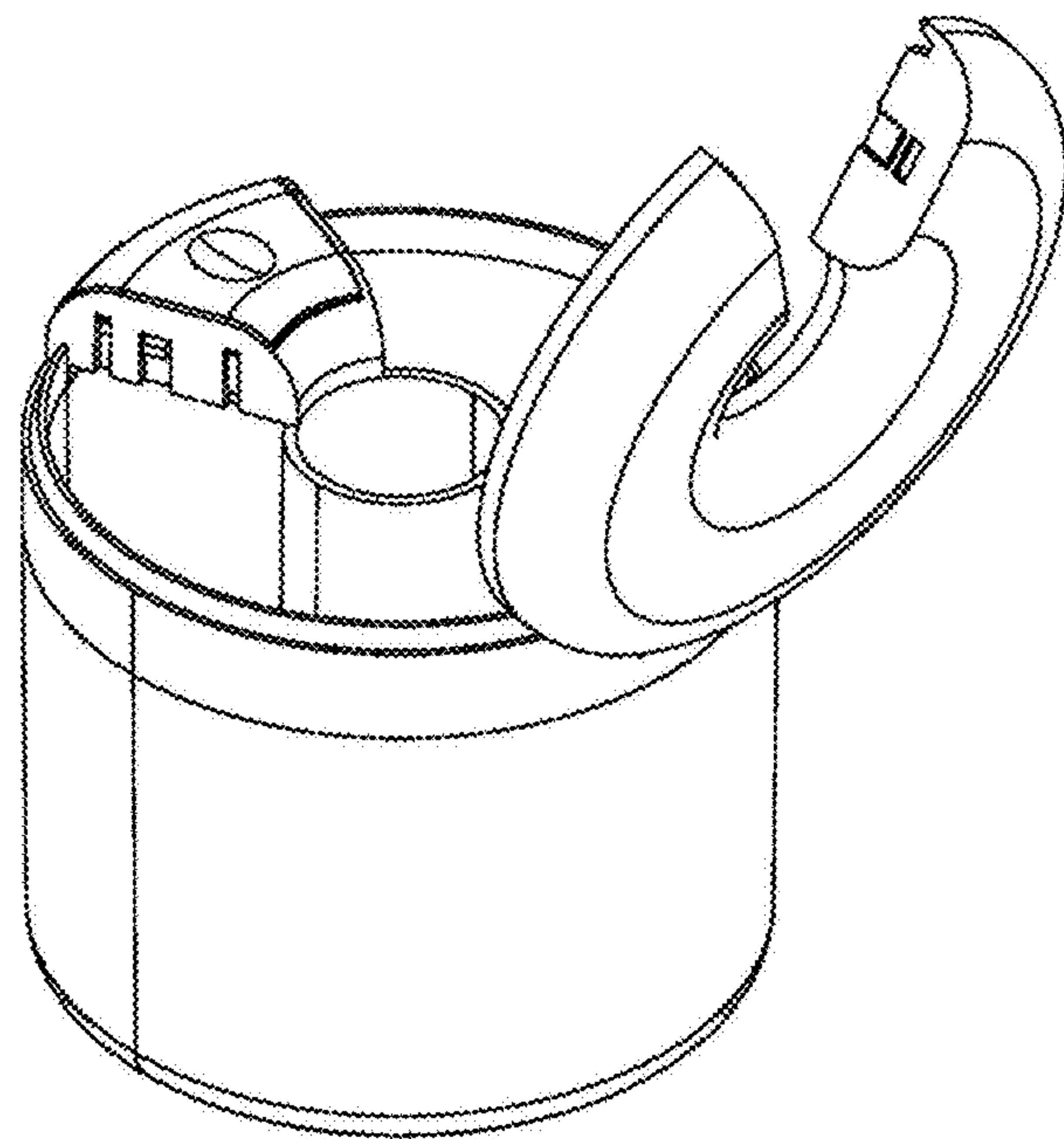


FIG. 8

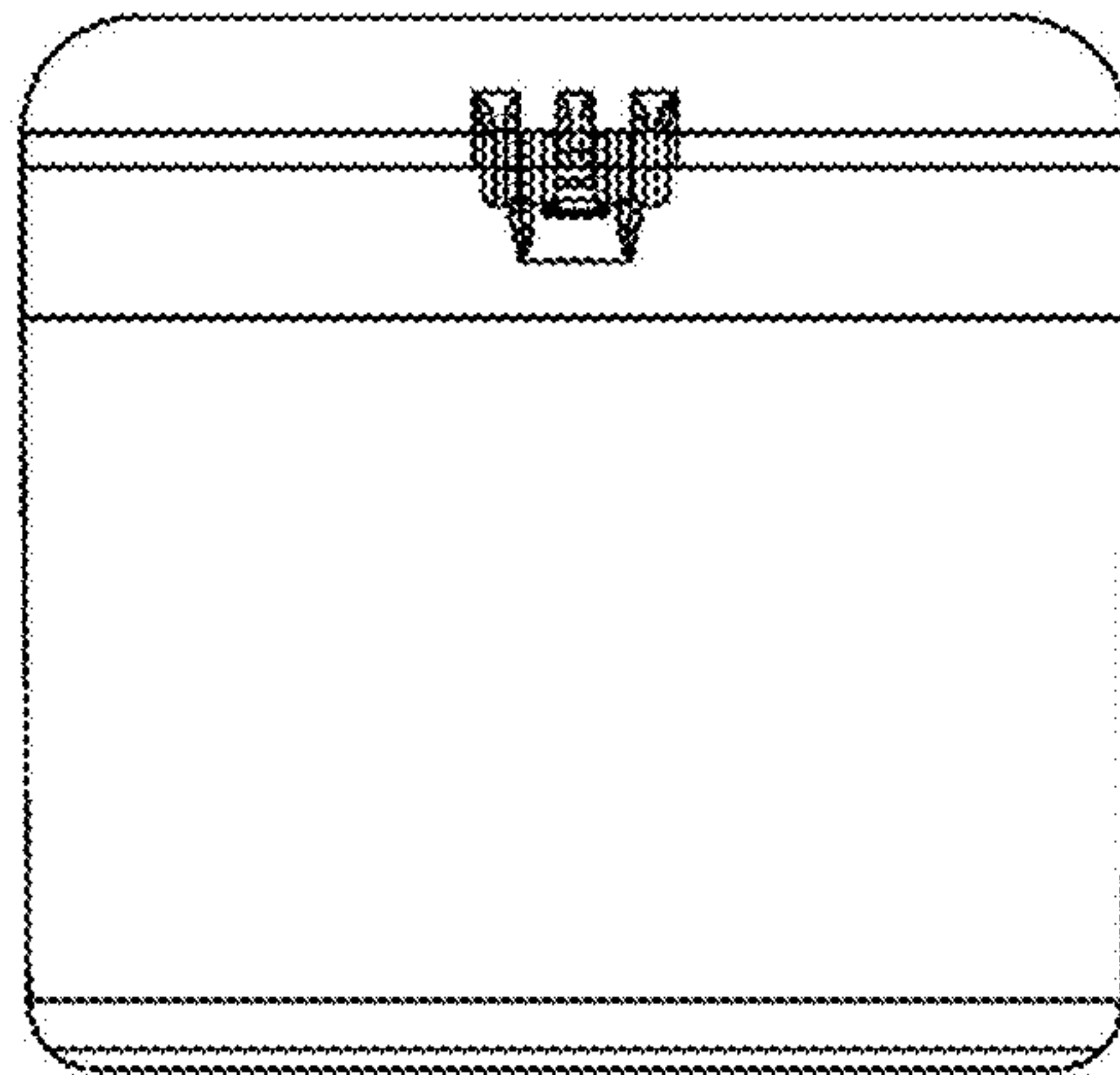


FIG. 9

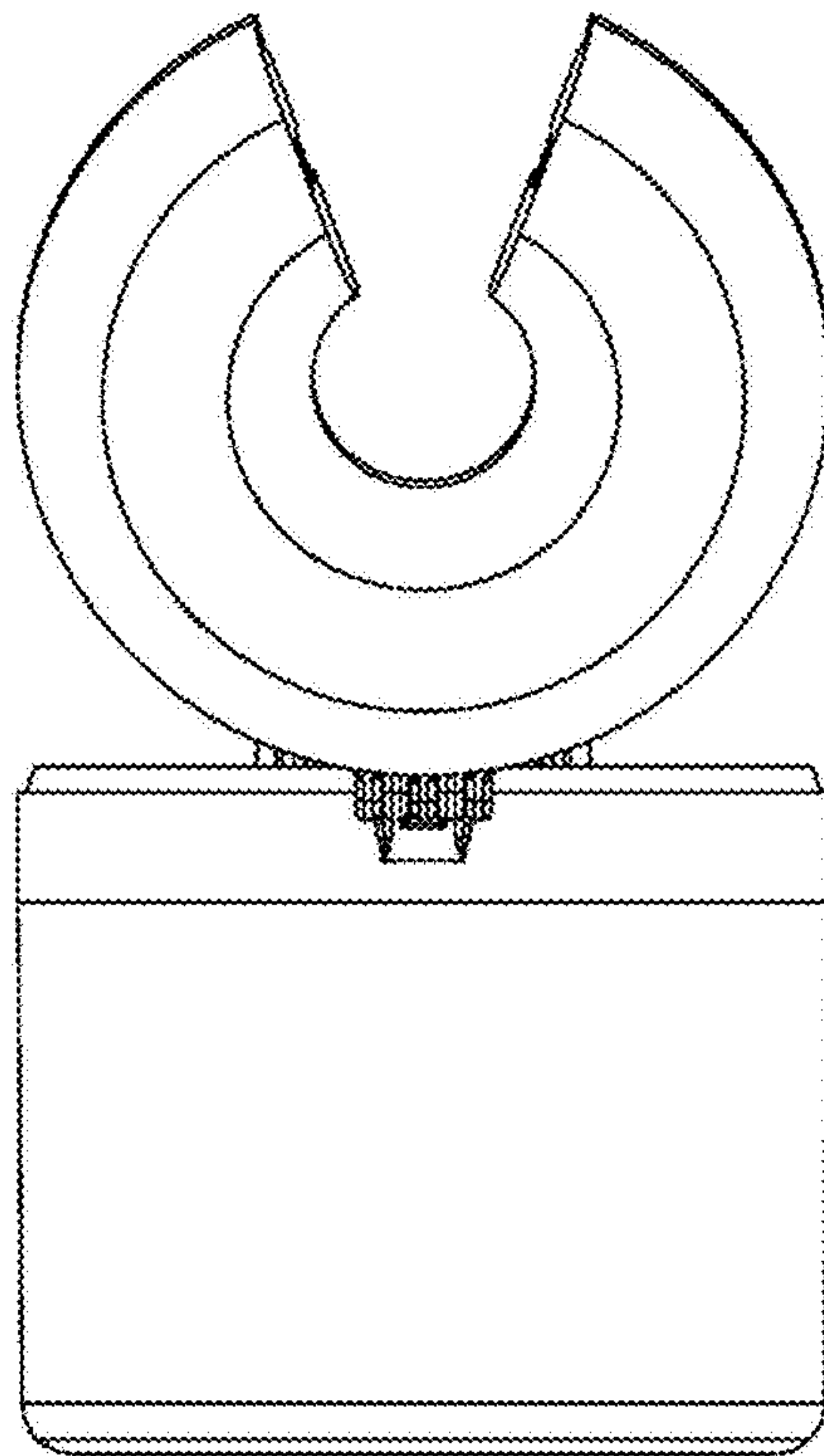


FIG. 10

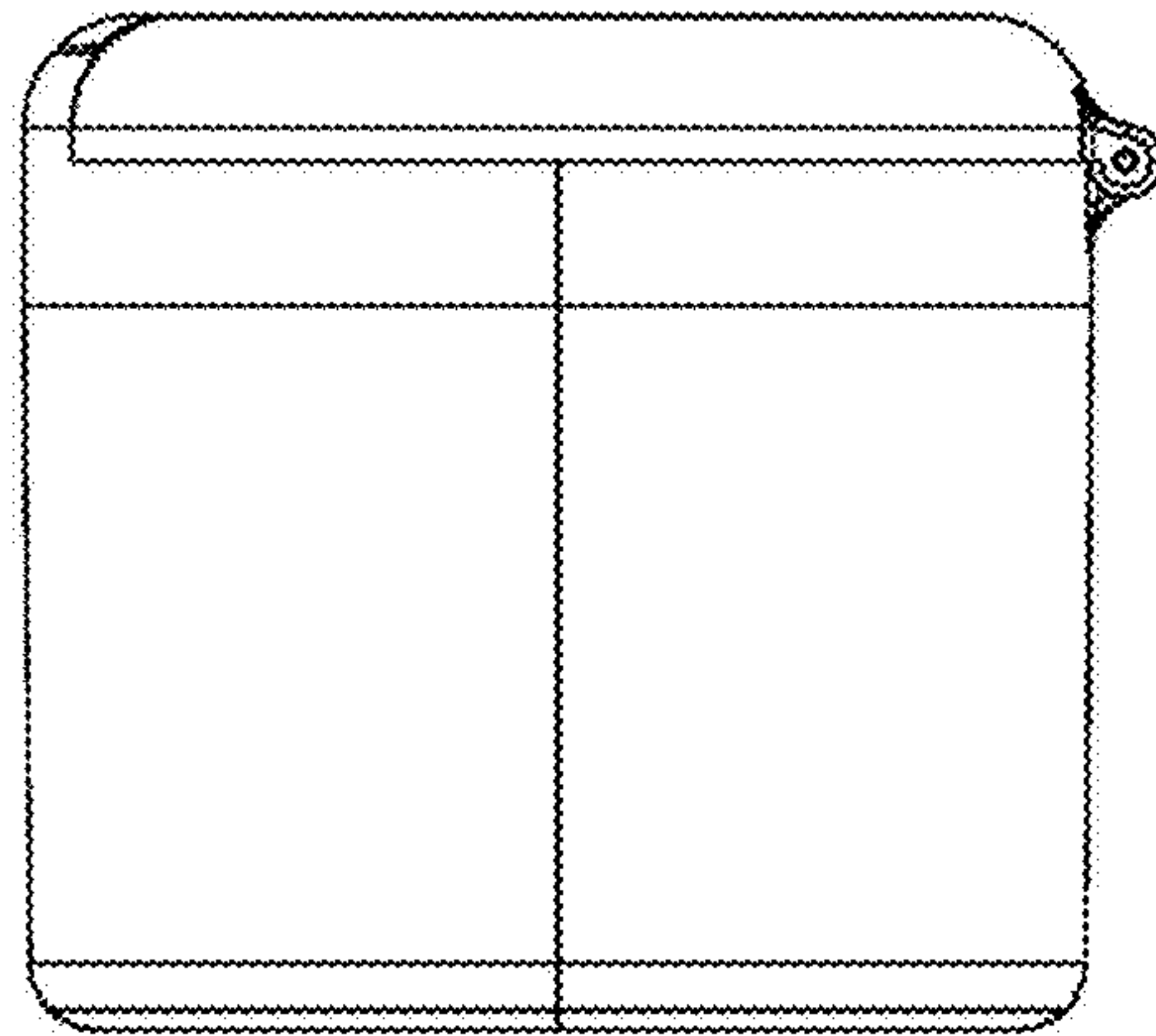


FIG. 11

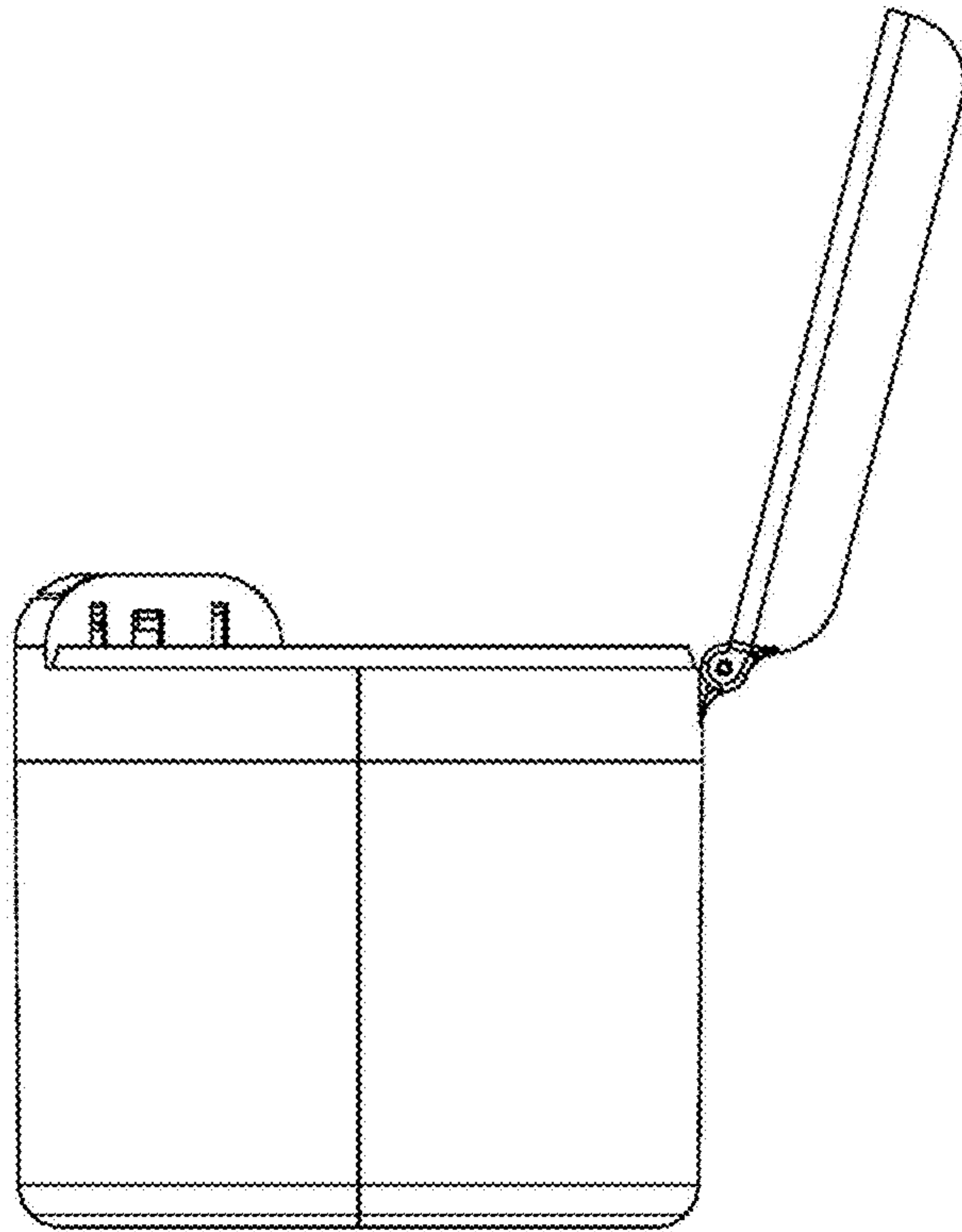


FIG. 12

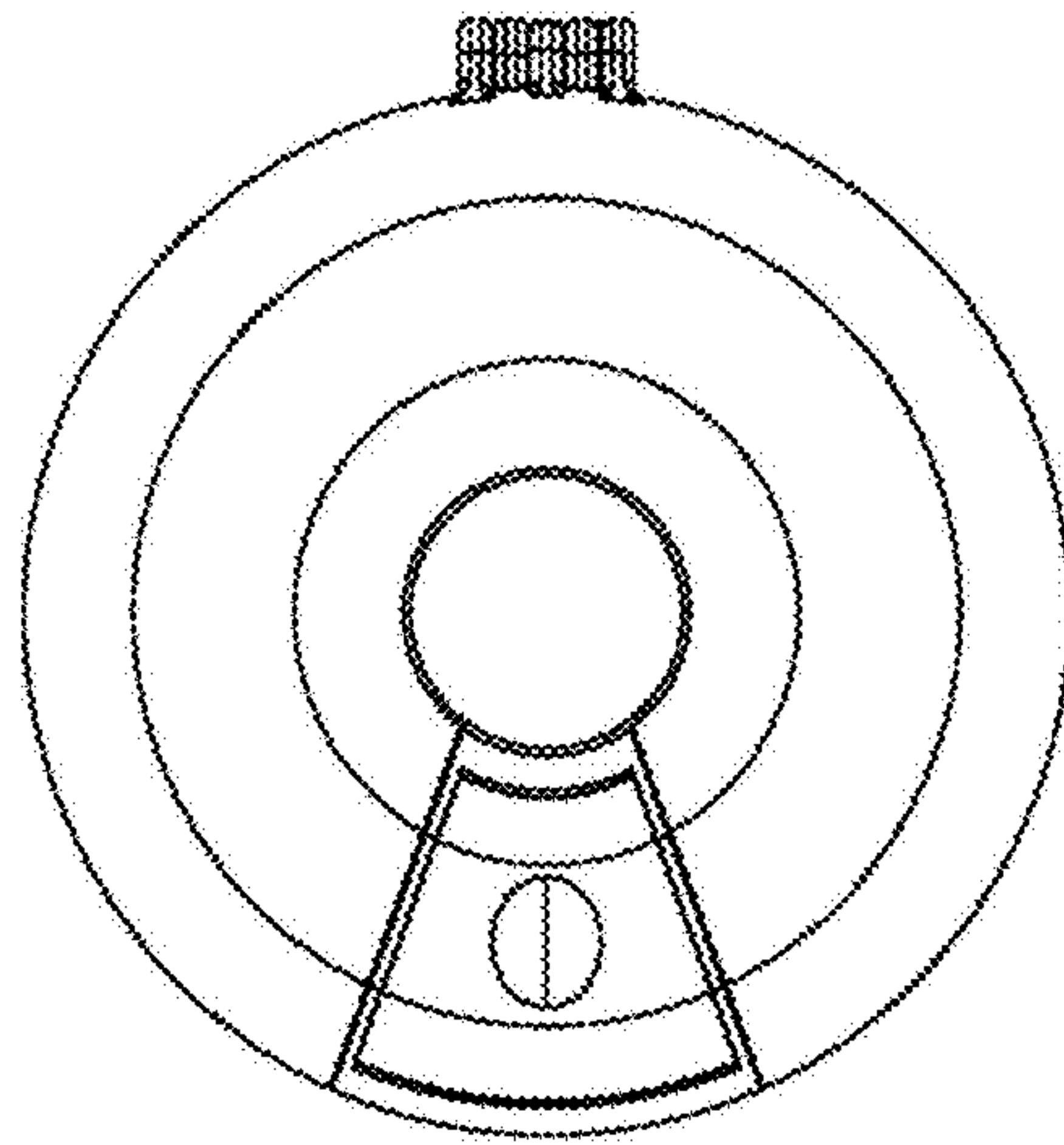


FIG. 13

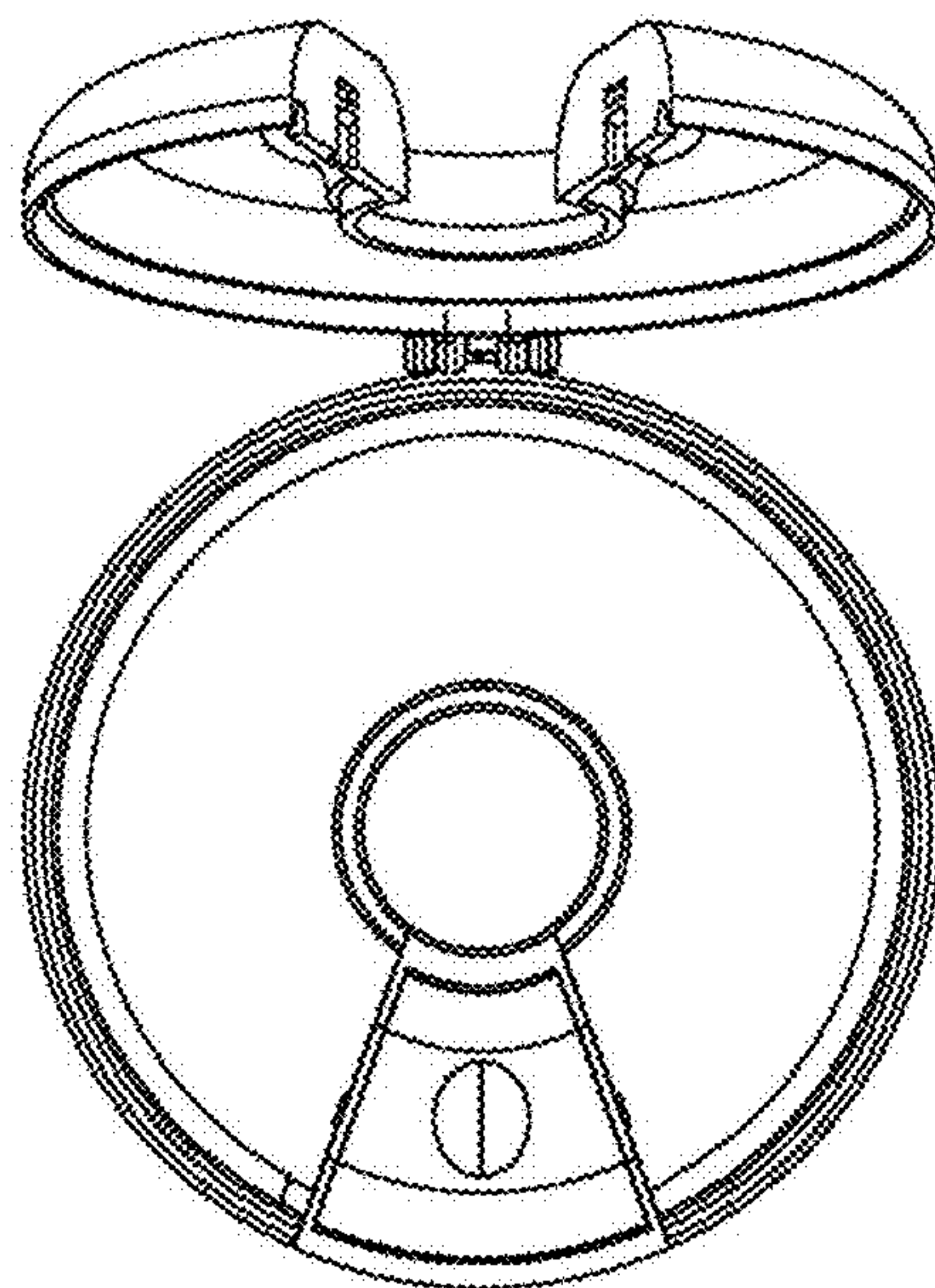


FIG. 14