



US00D863053S

(12) **United States Design Patent**  
**Smith et al.**

(10) **Patent No.:** **US D863,053 S**  
(45) **Date of Patent:** **\*\* Oct. 15, 2019**

- (54) **CONTAINER**
- (71) Applicants: **William Thomas Smith**, Fair Oaks, CA (US); **Cheryl Ann Smith**, Fair Oaks, CA (US)
- (72) Inventors: **William Thomas Smith**, Fair Oaks, CA (US); **Cheryl Ann Smith**, Fair Oaks, CA (US)
- (\*\*) Term: **15 Years**
- (21) Appl. No.: **29/623,126**
- (22) Filed: **Oct. 23, 2017**
- (51) **LOC (12) Cl.** ..... **09-03**
- (52) **U.S. Cl.**  
USPC ..... **D9/414**
- (58) **Field of Classification Search**  
USPC ..... D9/414-416, 418, 428, 516, 517, D9/737-739; D27/102, 109, 110, 172, D27/175, 186; 312/31.1  
CPC ..... A24F 21/00; A24F 19/00; A24F 19/007; A47F 1/00; A47F 1/04; A47F 1/06; A47F 3/00; A47F 3/02; A47F 3/14; A47F 3/001; A47F 3/145; B65D 23/00; B65D 23/001; B65D 23/08; B65D 50/00; B65D 5/52; B65D 5/5253  
See application file for complete search history.

- (56) **References Cited**  
U.S. PATENT DOCUMENTS
- 1,597,548 A \* 8/1926 Sharp ..... A47F 3/145 211/74
- 1,628,108 A \* 5/1927 Brown ..... A47F 3/145 215/245
- 1,628,330 A \* 5/1927 Peck ..... A47F 3/145 215/237
- 1,646,702 A \* 10/1927 Moyer ..... A47F 3/145 215/227

- 1,743,520 A \* 1/1930 Baron ..... A47F 3/145 215/235
- 1,883,806 A \* 10/1932 Martin ..... B65D 1/10 215/370
- 3,847,305 A \* 11/1974 Tobin ..... A47F 3/145 222/166
- 3,853,263 A \* 12/1974 Otsuka ..... A24F 19/00 131/242
- 5,794,771 A \* 8/1998 Krawec ..... A24F 23/00 206/223
- 6,132,123 A \* 10/2000 Gueret ..... B65D 23/001 401/129
- D482,493 S \* 11/2003 Lillelund ..... D28/73
- D500,640 S \* 1/2005 Lawson ..... D7/612
- D540,068 S \* 4/2007 Zhang ..... D6/672
- D628,020 S \* 11/2010 Lim ..... D7/629
- D682,045 S \* 5/2013 Myoung ..... D7/629
- D786,668 S \* 5/2017 Cornaglia ..... D9/418

(Continued)

*Primary Examiner* — Wan Laymon  
*Assistant Examiner* — Clint A Samuel  
(74) *Attorney, Agent, or Firm* — Ballard Spahr LLP

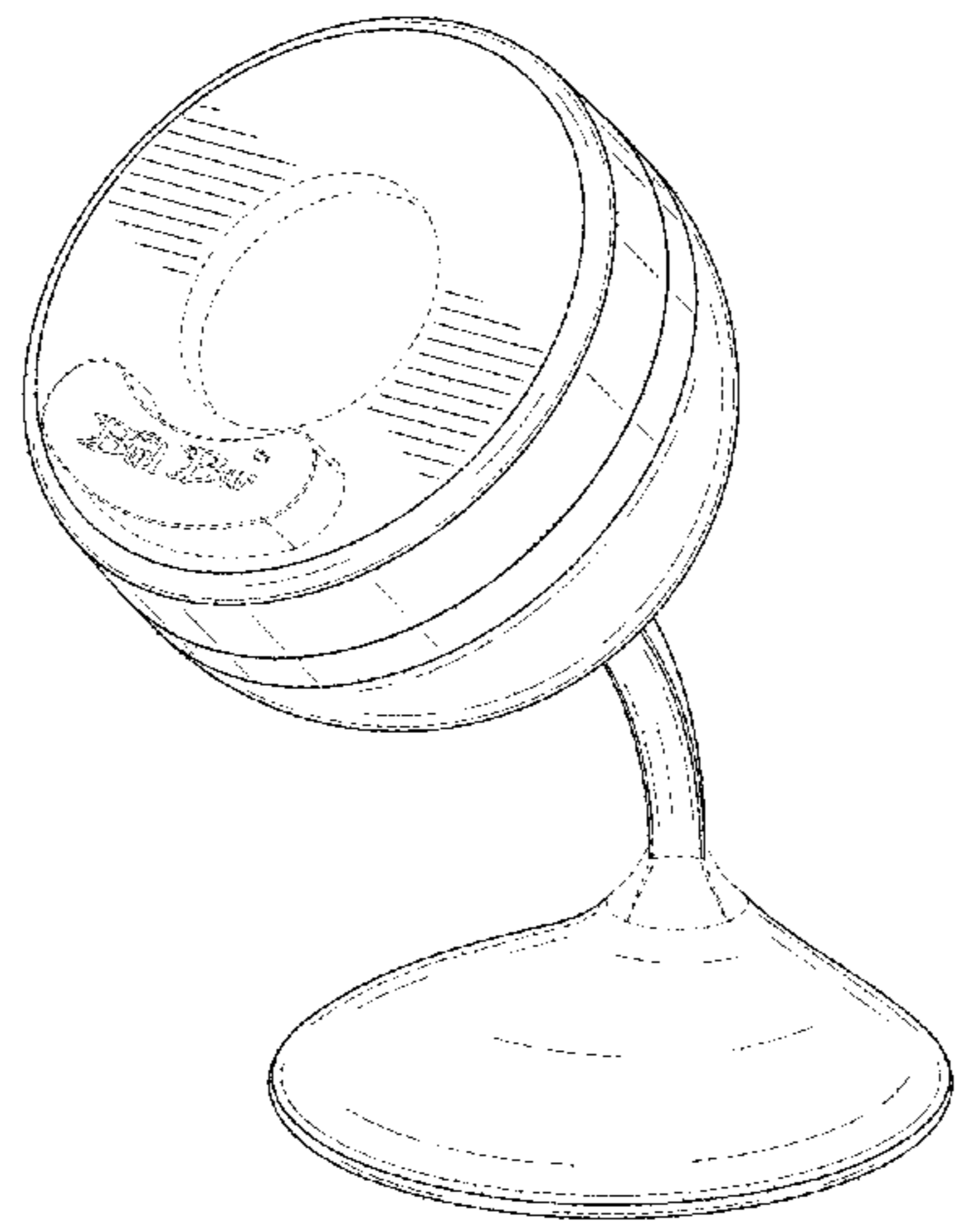
(57) **CLAIM**

The ornamental design for a container, as shown and described.

**DESCRIPTION**

FIG. 1 is a perspective view of our design of a container according to our invention;  
FIG. 2 is top view of the container shown in FIG. 1;  
FIG. 3 is bottom view of the container shown in FIG. 1;  
FIG. 4 is a left side elevation view of the container shown in FIG. 1;  
FIG. 5 is a right side elevation view of the container shown in FIG. 1;  
FIG. 6 is a front view of the container shown in FIG. 1; and,  
FIG. 7 is a rear view of the container shown in FIG. 1.  
The broken lines depict portions of the container and a portion thereof that form no part of the claimed design.

**1 Claim, 7 Drawing Sheets**



(56)

**References Cited**

U.S. PATENT DOCUMENTS

D827,923 S \* 9/2018 Whetsel ..... D27/194  
2013/0306516 A1\* 11/2013 Dougherty ..... A47F 3/14  
206/736  
2018/0134447 A1\* 5/2018 Zimmer ..... B65D 21/0231  
2018/0160828 A1\* 6/2018 Turner ..... B65D 23/00  
2018/0282011 A1\* 10/2018 Evans ..... B65D 1/0223

\* cited by examiner

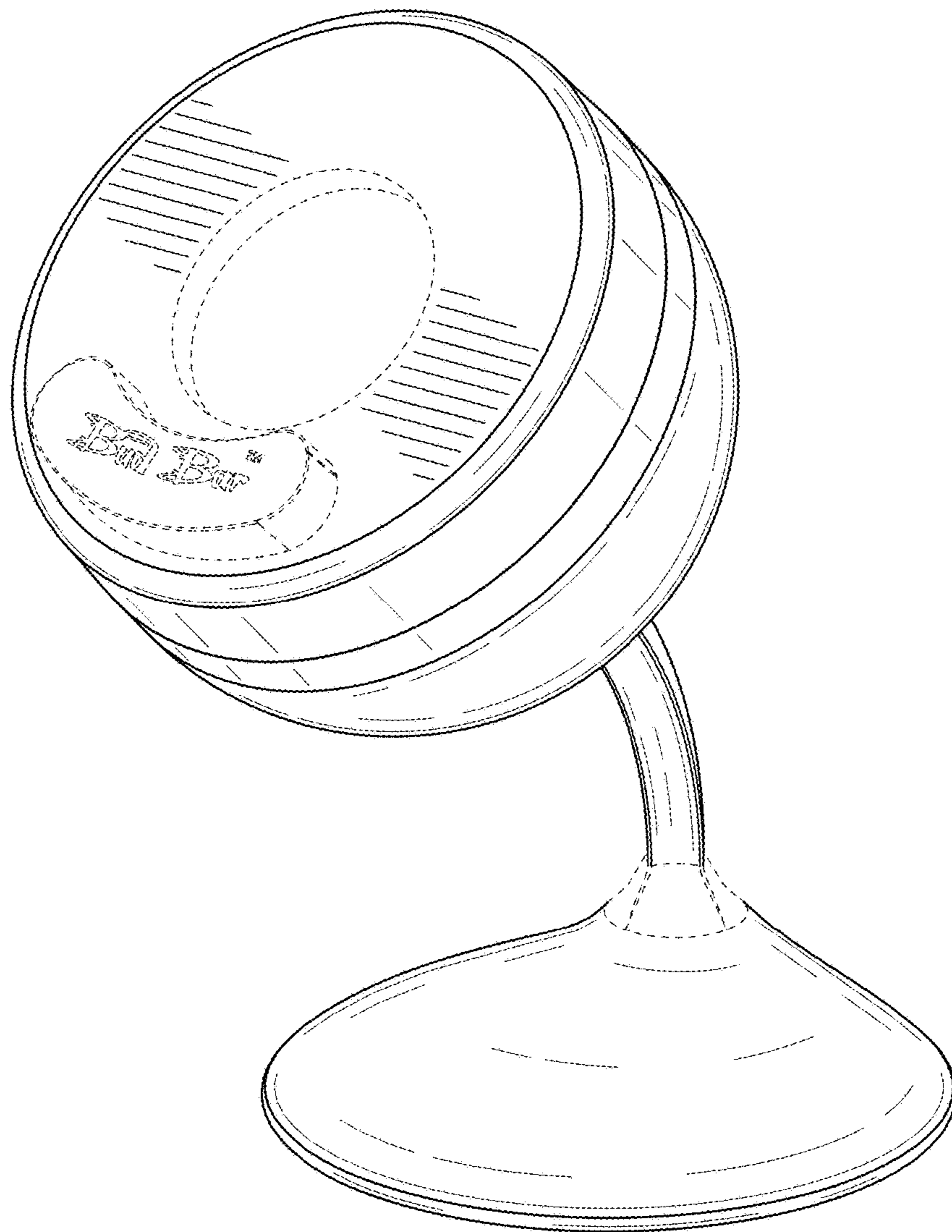


FIG. 1

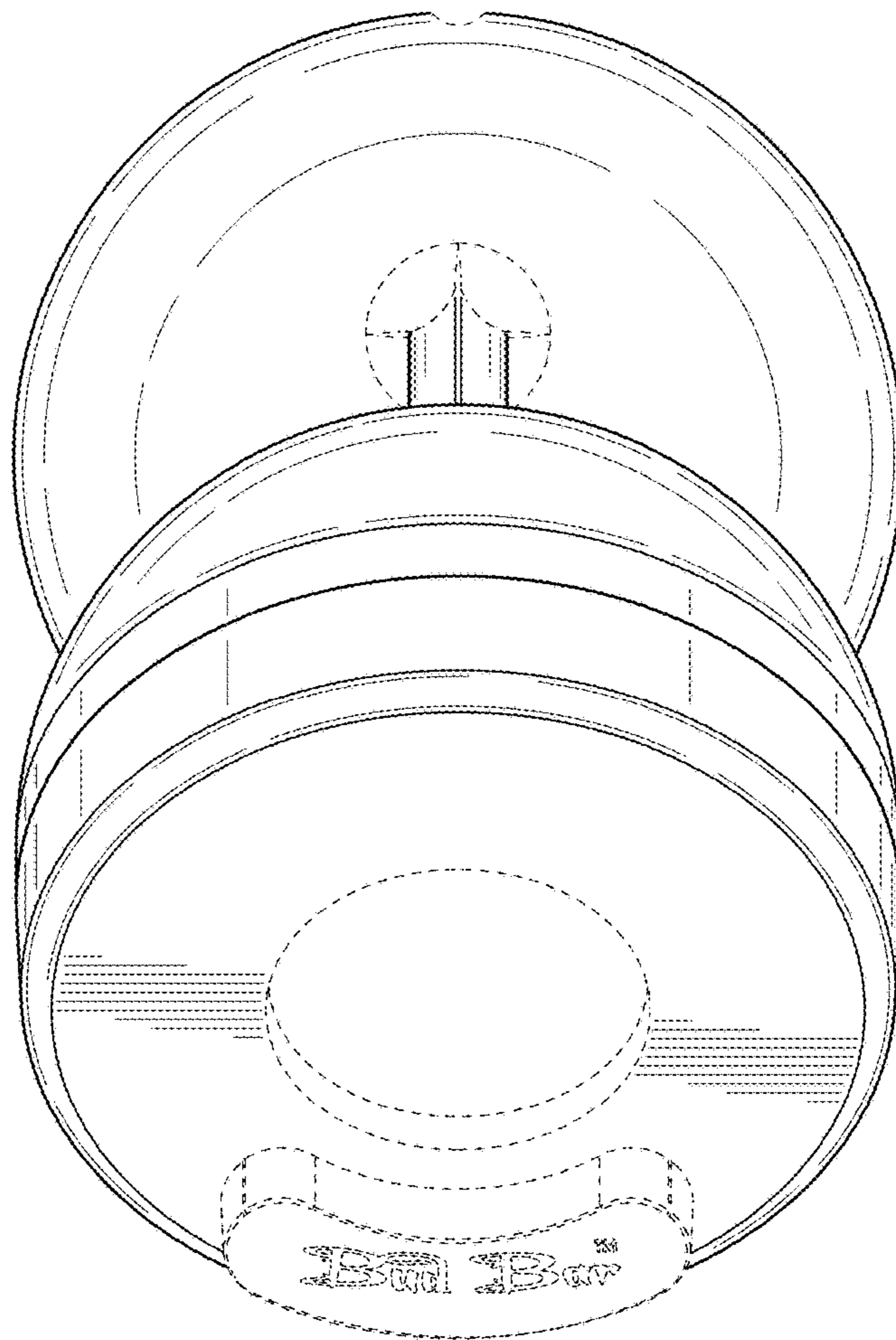


FIG. 2

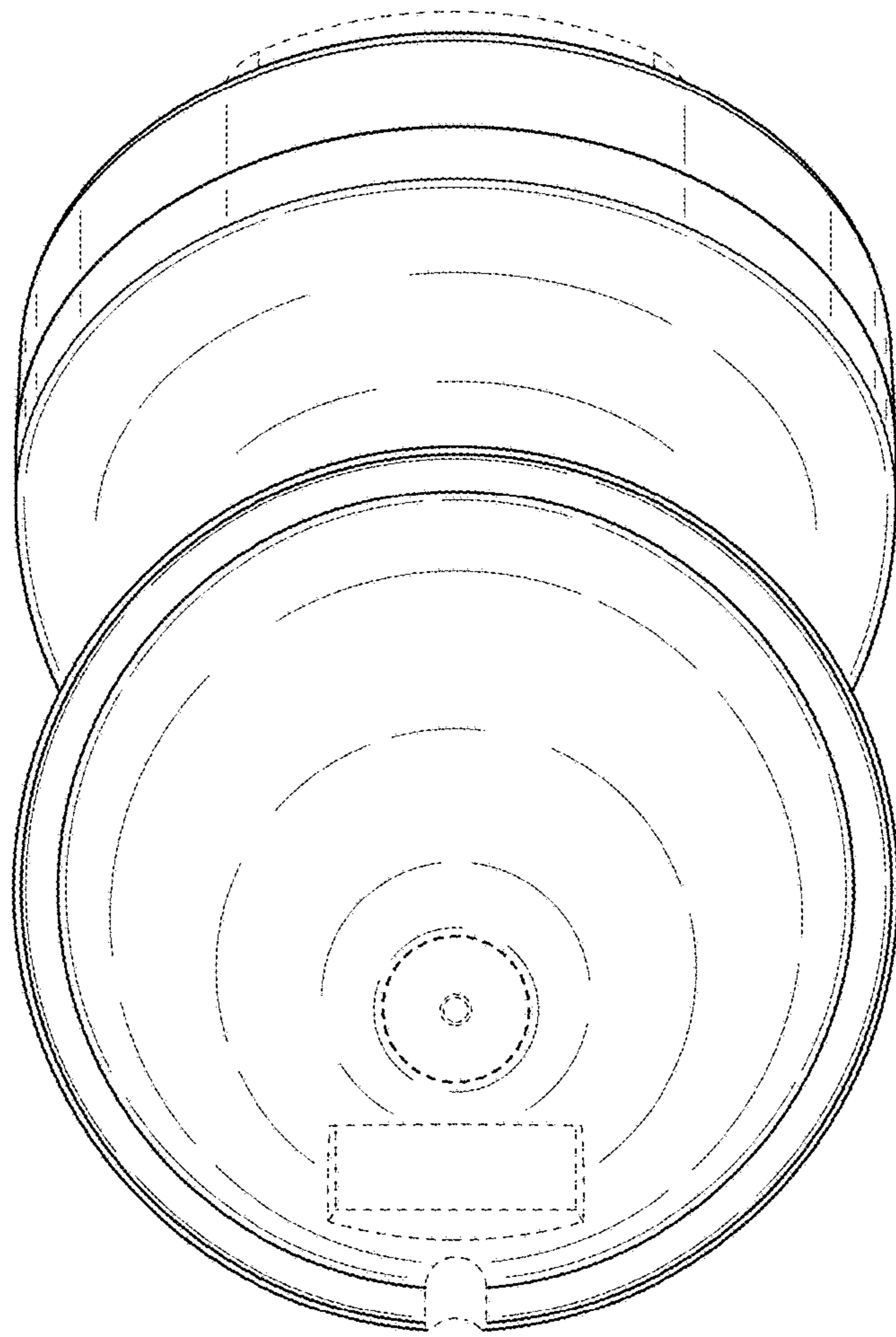


FIG. 3



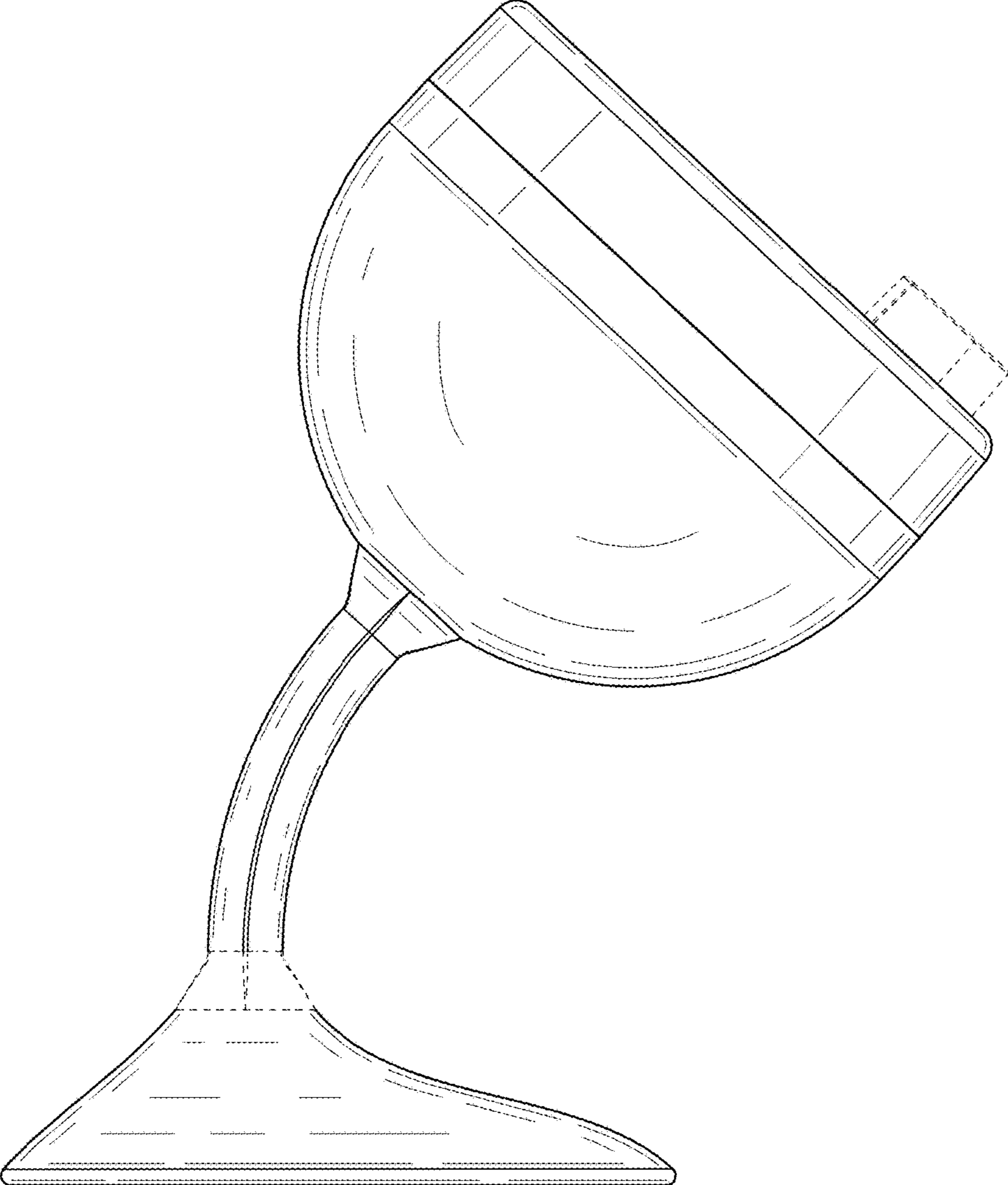
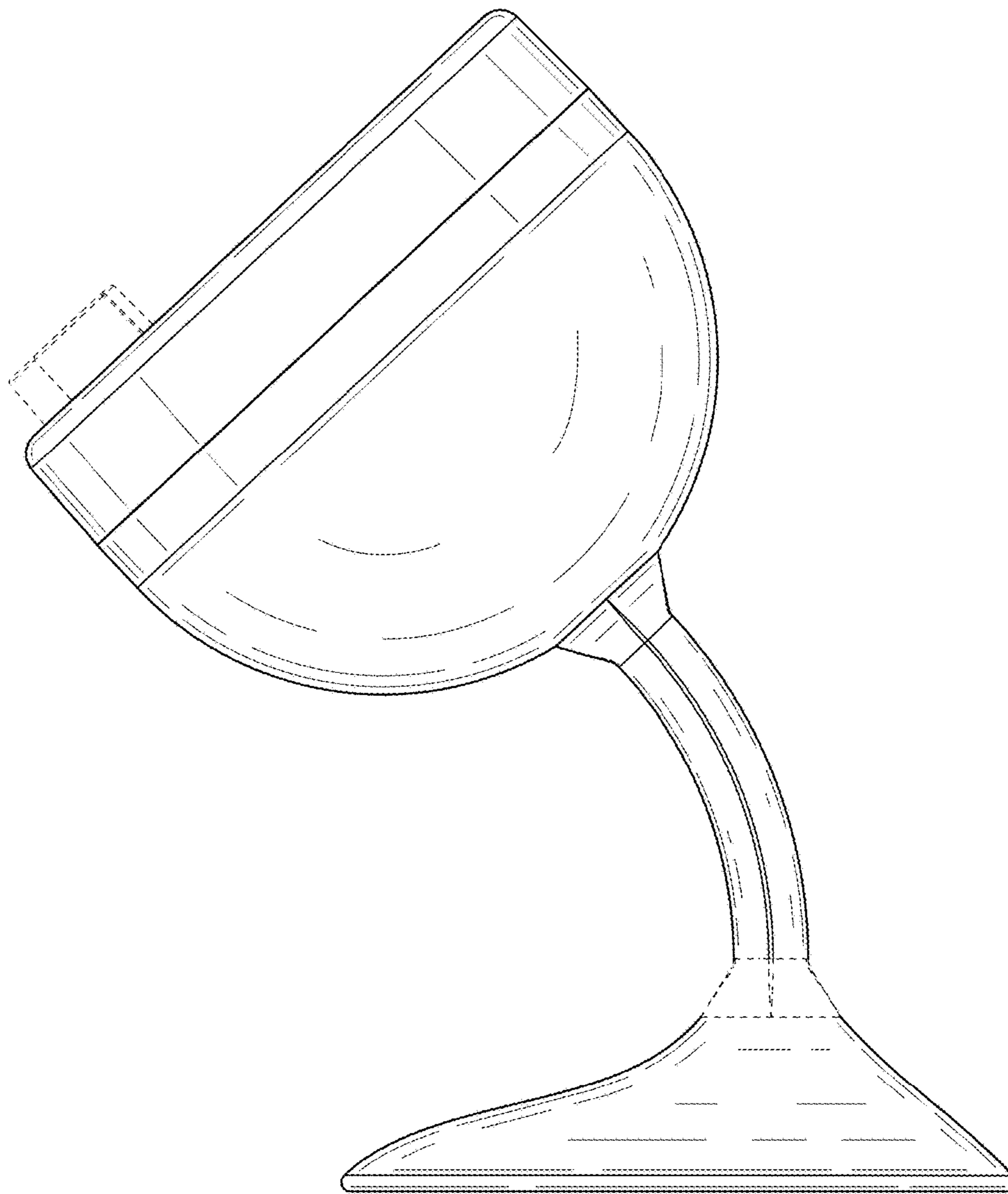


FIG. 4



**FIG. 5**

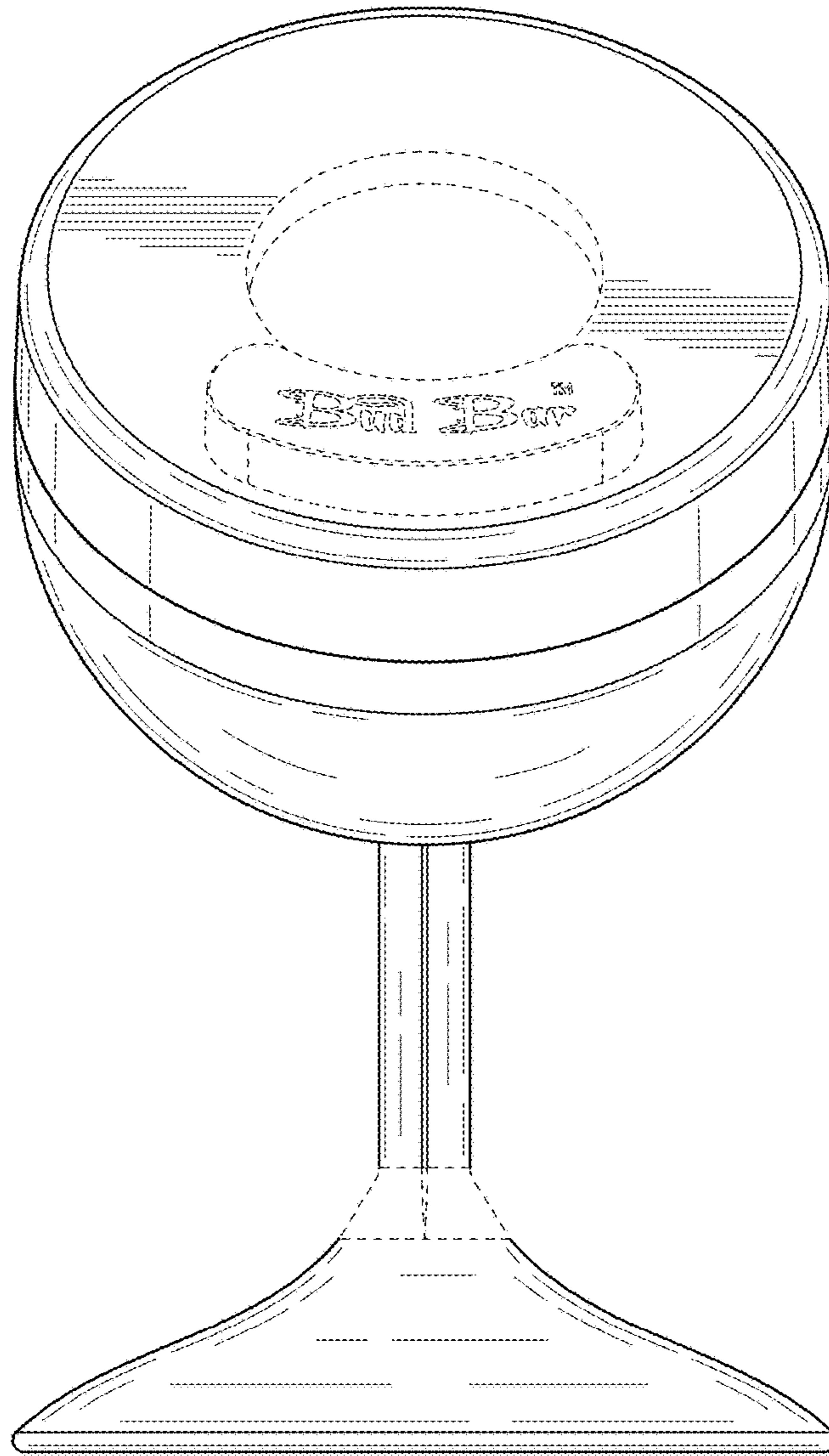
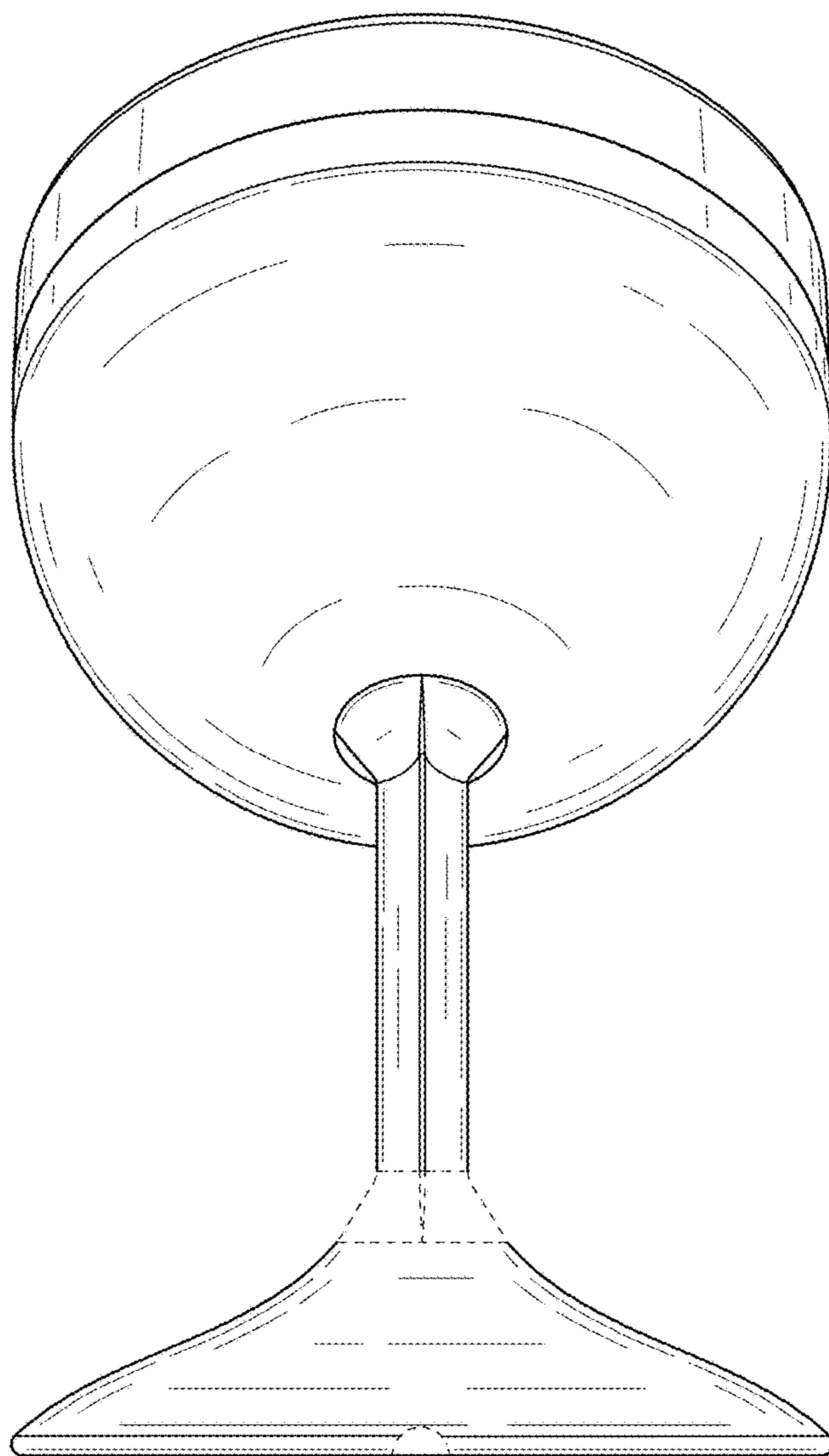


FIG. 6





**FIG. 7**