



US00D863051S

(12) **United States Design Patent** (10) **Patent No.:** **US D863,051 S**  
**Bancroft et al.** (45) **Date of Patent:** **\*\* Oct. 15, 2019**

(54) **HINGED COUPLING**

D568,451 S 5/2008 Gibb  
D568,970 S 5/2008 Gibb  
D583,914 S \* 12/2008 Pierce ..... D23/262  
(Continued)

(71) Applicant: **Victaulic Company**, Easton, PA (US)

(72) Inventors: **Philip Wayne Bancroft**, Belvidere, NJ (US); **Kathryn E. Yovanovich**, Easton, PA (US); **Alan M. Yesavage**, Lenhartsville, PA (US); **Ahmad Sith**, Bethlehem, PA (US); **Scott D. Madara**, Nazareth, PA (US); **Matthew A. Bowman**, Palmer, PA (US)

FOREIGN PATENT DOCUMENTS

KR 300595318.0000 \* 4/2011

(73) Assignee: **Victaulic Company**, Easton, PA (US)

(\*\*) Term: **15 Years**

(21) Appl. No.: **29/678,090**

(22) Filed: **Jan. 25, 2019**

OTHER PUBLICATIONS

Victaulic Pipe Fitting QuickVic Coupling, <https://www.ebay.com/p/Victaulic-Pipe-Fitting-QuickVic-Coupling-107N-2-or-60-3mm/1975761331?iid=311808129873&chn=ps>, site visited Apr. 15, 2019.\*  
(Continued)

*Primary Examiner* — John Windmuller  
*Assistant Examiner* — John R Yeh  
(74) *Attorney, Agent, or Firm* — Ballard Spahr LLP

**Related U.S. Application Data**

(62) Division of application No. 29/624,023, filed on Oct. 30, 2017, which is a division of application No. 29/581,924, filed on Oct. 24, 2016, now Pat. No. Des. 813,657.

(51) **LOC (12) Cl.** ..... **08-08**

(52) **U.S. Cl.**  
USPC ..... **D8/394**; D23/262

(58) **Field of Classification Search**  
USPC ..... D8/394–396, 71–72, 79, 367;  
D23/259–265; D6/217; D13/102  
CPC ..... H01L 31/042; A47H 1/00; A47H 1/16;  
F41C 33/00; F41C 33/02; A45C 13/10  
See application file for complete search history.

(57) **CLAIM**

We claim the ornamental design for a hinged coupling, as shown and described.

**DESCRIPTION**

FIG. 1 is an isometric view of our design for a hinged coupling;  
FIG. 2 is a front view of the design of the hinged coupling shown in FIG. 1;  
FIG. 3 is a rear view of the design of the hinged coupling shown in FIG. 1;  
FIG. 4 is a bottom view of the design of the hinged coupling shown in FIG. 1;  
FIG. 5 is a top view of the design of the hinged coupling shown in FIG. 1; and,  
FIG. 6 is a left side view of the design of the hinged coupling shown in FIG. 1, the right side view being a mirror image thereof.

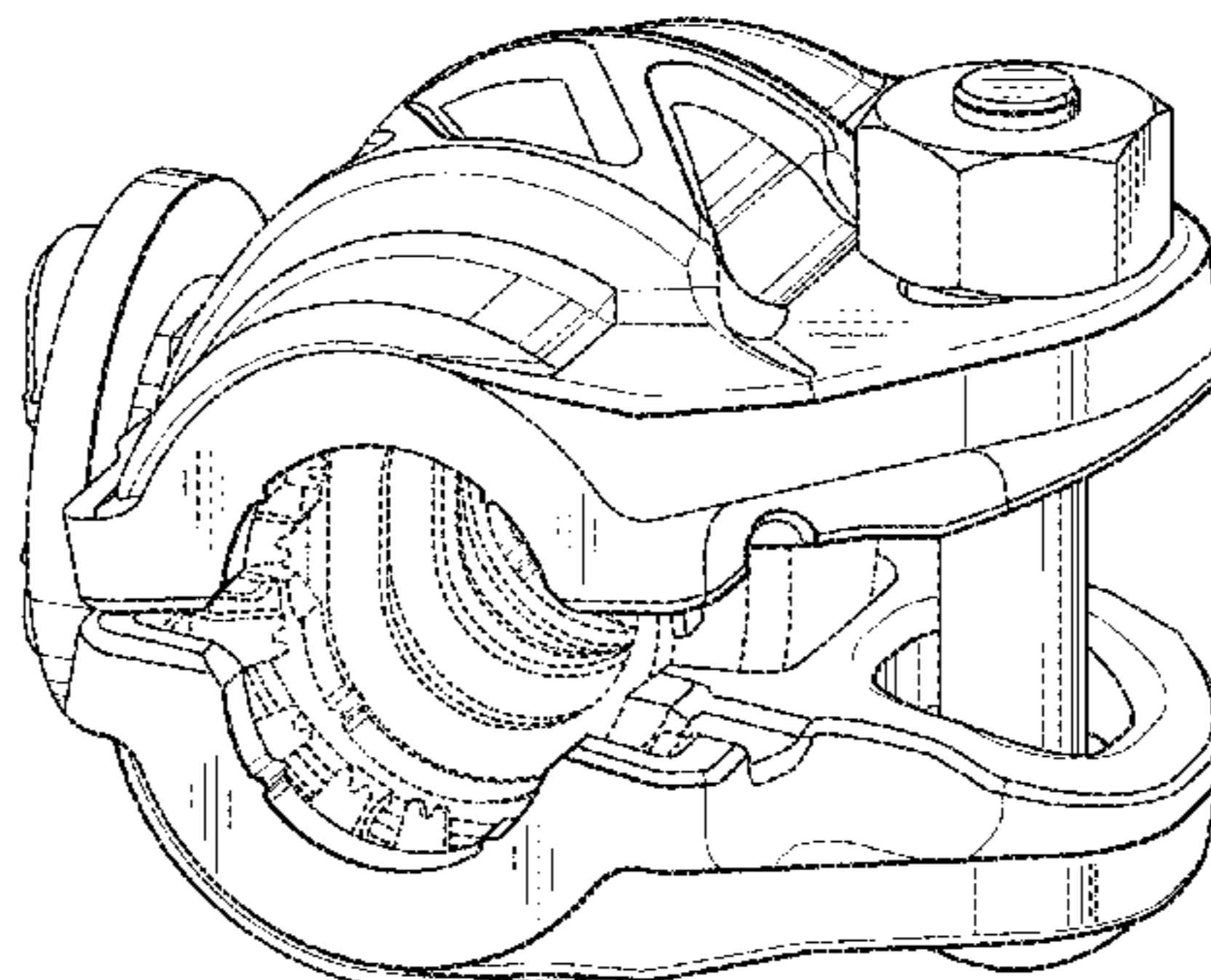
The broken lines depict portions of the hinged coupling that form no part of the claimed design.

(56) **References Cited**

U.S. PATENT DOCUMENTS

2,752,173 A \* 6/1956 Krooss ..... F16L 17/04  
285/232  
D189,229 S \* 11/1960 Bowne ..... D23/265  
5,384,936 A 1/1995 Van Walraven  
D536,958 S 2/2007 Ruhlander

**1 Claim, 4 Drawing Sheets**



(56)

References Cited

U.S. PATENT DOCUMENTS

D583,916 S \* 12/2008 Madara ..... D23/265  
 D595,815 S 1/2009 Pierce  
 D587,347 S \* 2/2009 Madara ..... D23/265  
 7,500,643 B2 3/2009 Leone  
 D598,077 S 8/2009 Gibb  
 D602,127 S \* 10/2009 Shah ..... D23/262  
 D605,734 S \* 12/2009 Henry ..... D23/262  
 D605,736 S \* 12/2009 Porter ..... D23/262  
 D607,549 S \* 1/2010 Shah ..... D23/262  
 D608,868 S 1/2010 Porter  
 D616,533 S 5/2010 Bowman  
 D618,312 S \* 6/2010 Madara ..... D23/262  
 D621,916 S 8/2010 Porter  
 D626,200 S \* 10/2010 Bowman ..... D23/262  
 D626,202 S 10/2010 Porter  
 D629,075 S \* 12/2010 Madara ..... D23/262  
 D629,076 S \* 12/2010 Madara ..... D23/262  
 D629,077 S 12/2010 Porter  
 D629,078 S 12/2010 Porter  
 D629,080 S \* 12/2010 Dole ..... D23/262  
 D633,600 S \* 3/2011 Madara ..... D23/262  
 D636,470 S \* 4/2011 Dole ..... D23/262  
 D651,290 S \* 12/2011 Shah ..... D23/262  
 8,286,923 B2 10/2012 Kobayashi  
 D680,630 S 4/2013 Beagen, Jr.  
 D729,356 S 5/2015 Kuehner  
 D735,025 S 7/2015 Mathien  
 D756,212 S \* 5/2016 Wilk, Jr. .... D23/262  
 D767,103 S \* 9/2016 Sewell ..... D23/262  
 D769,384 S \* 10/2016 Altemus, Jr. .... D21/753  
 D784,799 S 4/2017 Toll

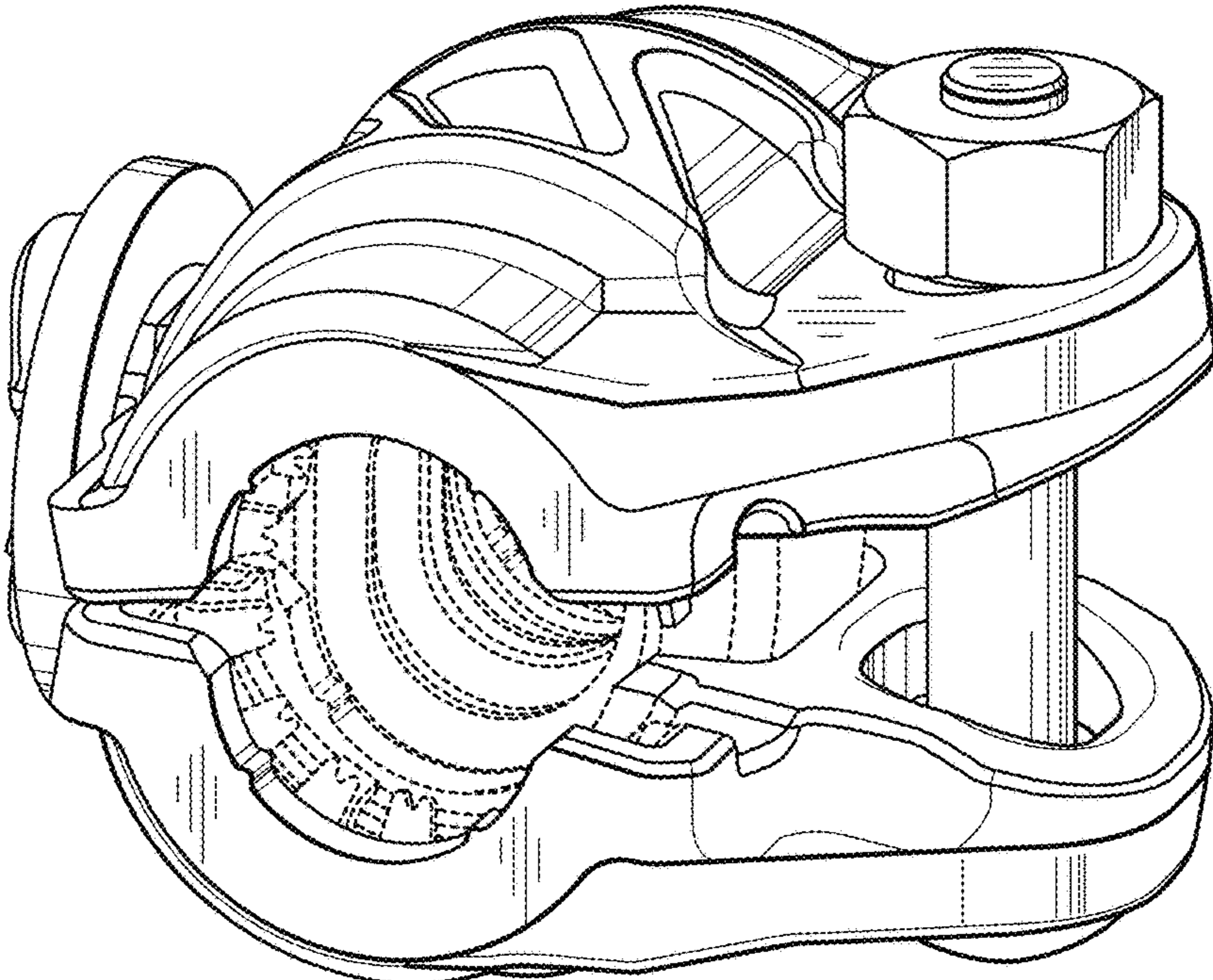
9,631,746 B2 \* 4/2017 Beagen, Jr. .... F16L 17/025  
 D789,779 S 6/2017 Asai  
 D804,942 S 12/2017 Toll  
 D805,888 S 12/2017 De Los Santos  
 D807,137 S 1/2018 Whitaker  
 D813,025 S 3/2018 Yesavage  
 D813,657 S 3/2018 Bowman  
 D836,184 S \* 12/2018 Lippka ..... D23/262  
 D839,399 S \* 1/2019 Lippka ..... D23/262  
 2008/0048444 A1 \* 2/2008 Porter ..... F16L 17/04  
 285/367  
 2016/0186902 A1 \* 6/2016 Lee ..... F16L 21/06  
 285/420  
 2017/0227141 A1 8/2017 Toll  
 2018/0072248 A1 3/2018 Ohashi

OTHER PUBLICATIONS

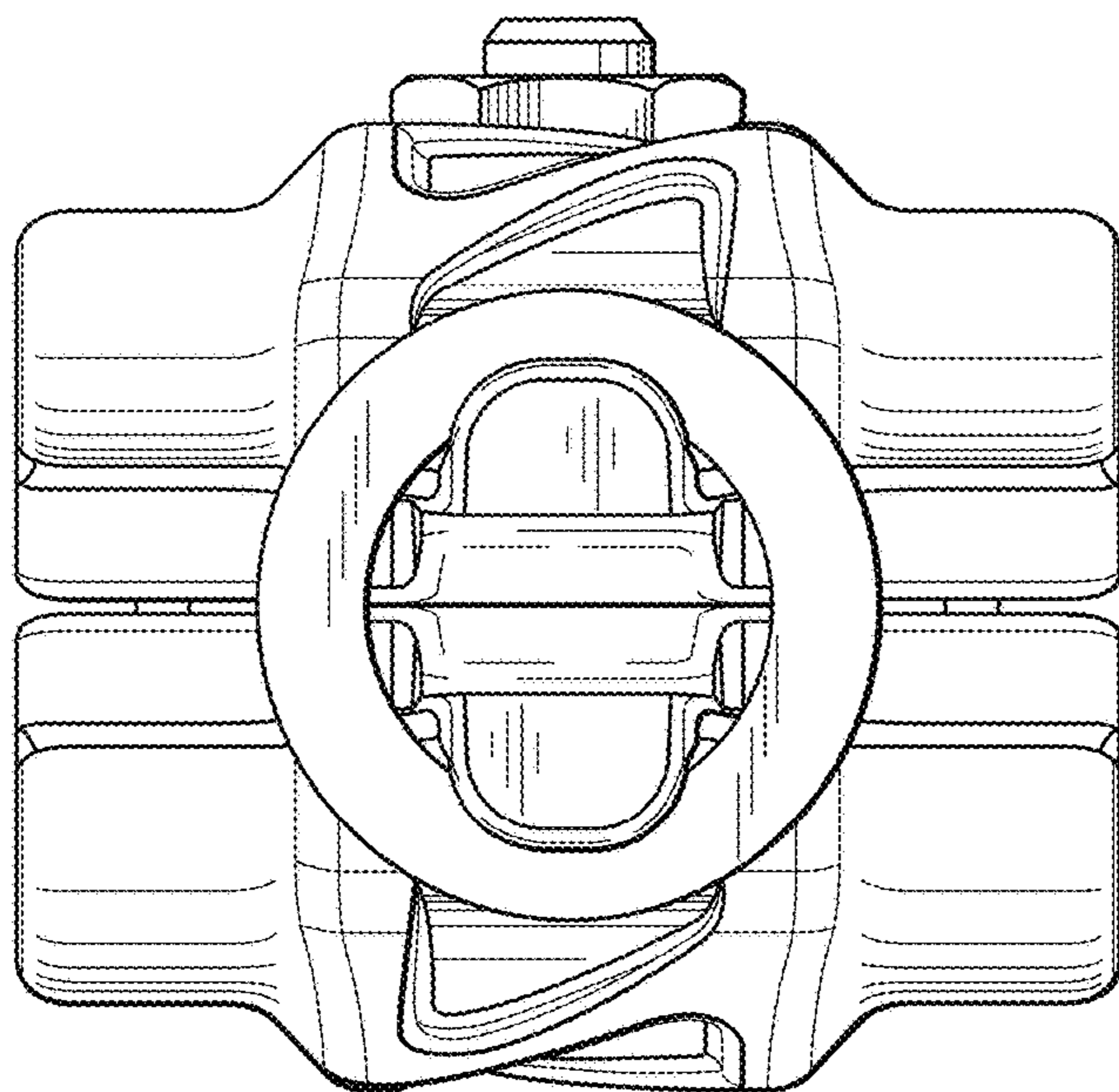
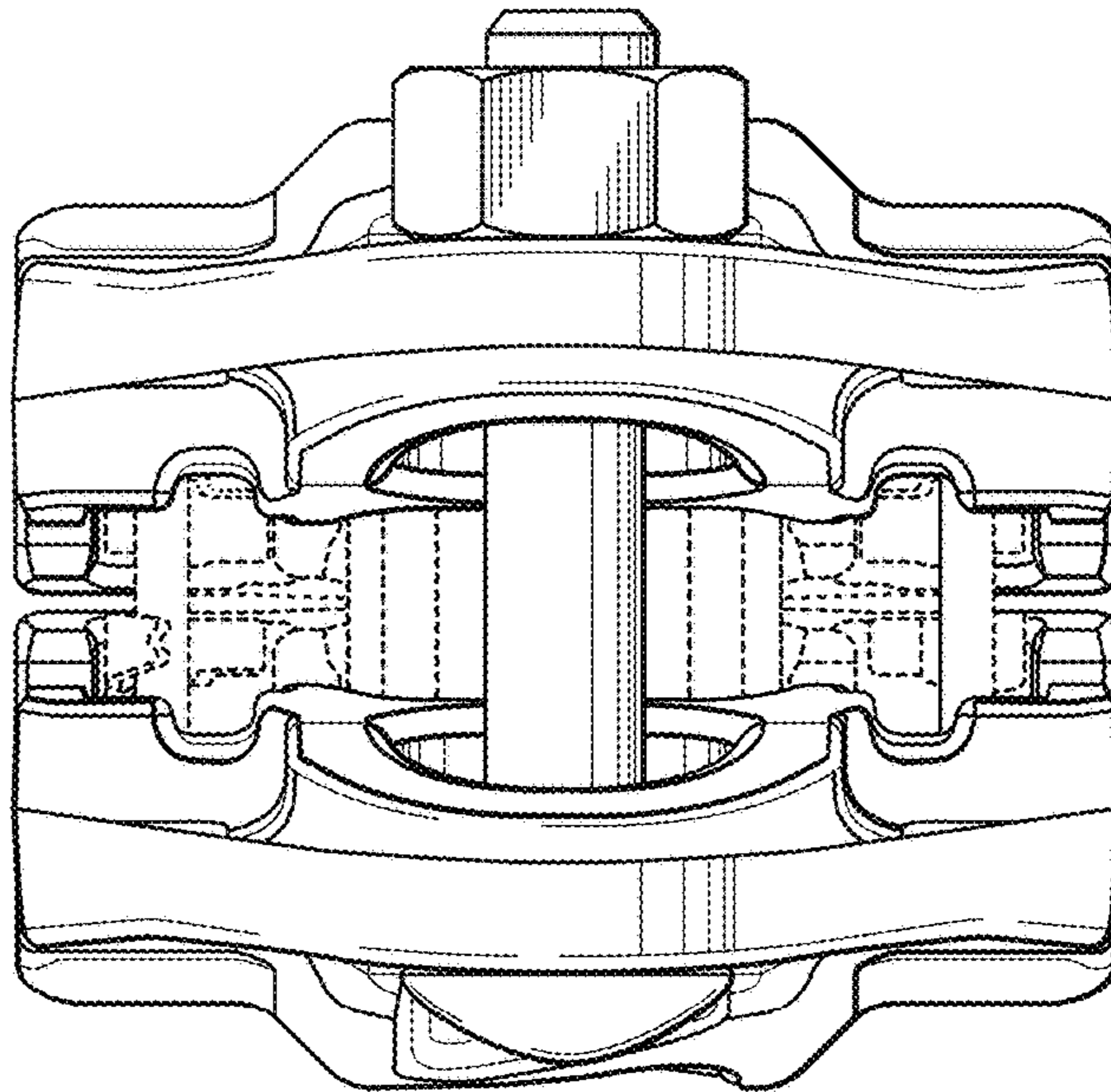
Swivel Duo Purpose I-Bolt Clamp, [https://www.scaffoldexpress.com/...0ARIsAAcYycFh9wJh1Y-p\\_fBnsgetBFJUsGzAdWN3ydaKj17hGKZ7UJ-hMUOtK6waAgixEALw\\_wcB](https://www.scaffoldexpress.com/...0ARIsAAcYycFh9wJh1Y-p_fBnsgetBFJUsGzAdWN3ydaKj17hGKZ7UJ-hMUOtK6waAgixEALw_wcB), site visited Mar. 29, 2019.\*  
 Author Unknown | Repair Clamp Hinge | Enexia, website copyright 2018 | <http://www.enexia.fi/products/yn-couplings/repair-claim-hinge/?lang=en> | site visited May 12, 2018.  
 Author Unknown | Style 99 Plain End Roust-A-Bout Coupling | website 2018 | <http://www.iac-intl.com/products/style-99-plain-end-roust-a-bout-coupling/> | site visited May 12, 2018.  
 Author Unknown | Youtube Ratchet P Clamp video | Publish date 2018 | site visited May 12, 2018 | <https://www.youtube.com/watch?v=UyLKOWQ9aKg>.

\* cited by examiner

**FIG. 1**

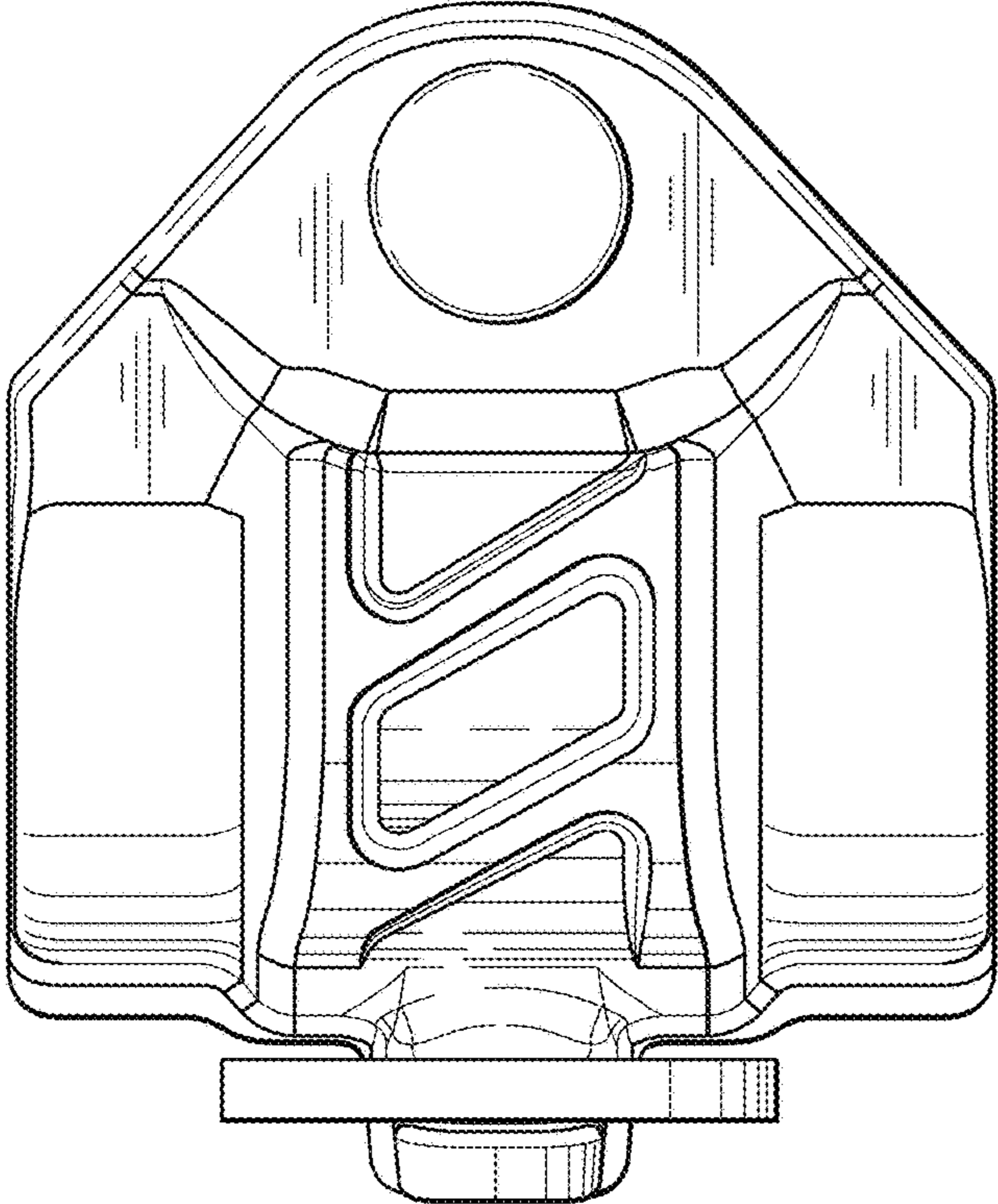
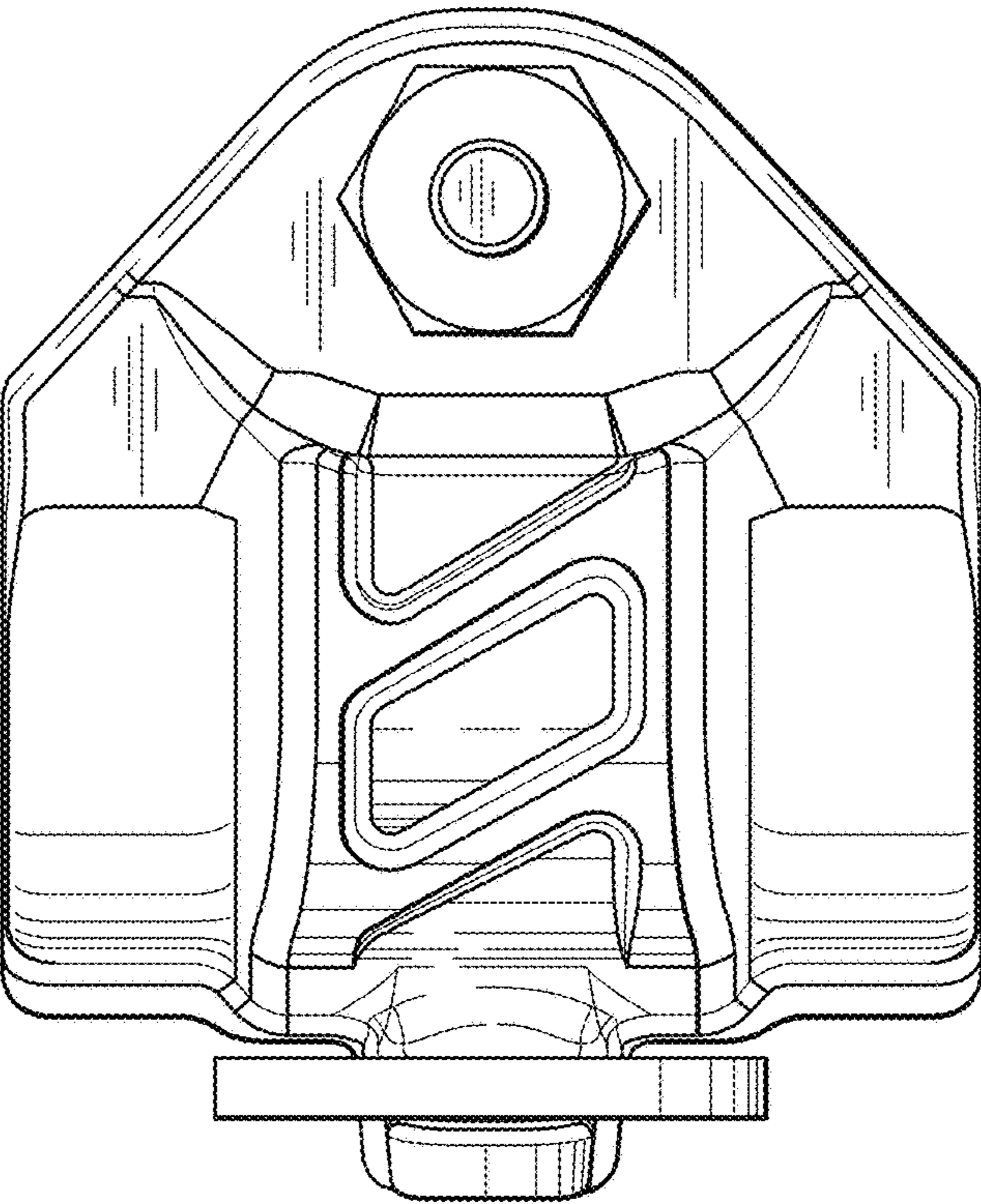


**FIG. 2**



**FIG. 3**

**FIG. 4**



**FIG. 5**

**FIG. 6**

