

US00D863050S

(12) **United States Design Patent**  
**Chao**

(10) **Patent No.:** **US D863,050 S**

(45) **Date of Patent:** **\*\* Oct. 15, 2019**

(54) **SCREW**

(71) Applicant: **Ying-Chin Chao**, Kaohsiung (TW)

(72) Inventor: **Ying-Chin Chao**, Kaohsiung (TW)

(\*\*) Term: **15 Years**

(21) Appl. No.: **29/601,082**

(22) Filed: **Apr. 19, 2017**

(51) **LOC (12) Cl.** ..... **08-08**

(52) **U.S. Cl.**

USPC ..... **D8/387**

(58) **Field of Classification Search**

USPC ..... D8/387, 388, 391, 393, 349, 354, 382

CPC .. F16B 23/00; F16B 23/0015; F16B 23/0023;

F16B 23/003; F16B 23/0038; F16B

23/0046; F16B 25/0036; F16B 25/0052;

F16B 25/0057; F16B 25/0063; F16B

25/0068; F16B 25/0078; F16B 25/0084

See application file for complete search history.

(56) **References Cited**

**U.S. PATENT DOCUMENTS**

- 142,112 A \* 8/1873 Ladd ..... F16B 25/0078  
411/421
- 5,199,839 A \* 4/1993 DeHaitre ..... F16B 23/0076  
411/387.3
- 5,516,248 A \* 5/1996 DeHaitre ..... F16B 23/0015  
411/387.2
- 6,106,208 A \* 8/2000 Lin ..... F16B 25/0015  
411/386
- 6,152,666 A \* 11/2000 Walther ..... F16B 25/0015  
411/311
- 6,676,353 B1 \* 1/2004 Haytayan ..... F16B 23/003  
206/346
- D557,131 S \* 12/2007 Liu ..... D8/387
- D625,817 S \* 10/2010 Rinner ..... D24/145
- 8,511,958 B2 \* 8/2013 Chang ..... F16B 25/103  
411/387.1
- 9,055,986 B1 \* 6/2015 Whipple ..... A61B 17/863

- D753,477 S \* 4/2016 Jackson ..... D8/387
- 2004/0096293 A1 \* 5/2004 Tadich ..... F16B 25/0031  
411/387.8
- 2006/0251493 A1 \* 11/2006 Buhl ..... F16B 25/0015  
411/386
- 2007/0036632 A1 \* 2/2007 Lin ..... F16B 23/0038  
411/402
- 2007/0269288 A1 \* 11/2007 Palm ..... F16B 25/0021  
411/386
- 2007/0286701 A1 \* 12/2007 Hsu ..... F16B 25/0015  
411/387.1
- 2009/0269164 A1 \* 10/2009 Gonciarz ..... F16B 25/0026  
411/416
- 2010/0172718 A1 \* 7/2010 Gong ..... F16B 25/0031  
411/417
- 2011/0170985 A1 \* 7/2011 Vandenberg ..... F16B 25/0015  
411/393
- 2013/0309042 A1 \* 11/2013 Chao ..... F16B 25/0015  
411/387.1

(Continued)

*Primary Examiner* — Sandra S Snapp

*Assistant Examiner* — Ieisha N Price

(74) *Attorney, Agent, or Firm* — Leong C. Lei

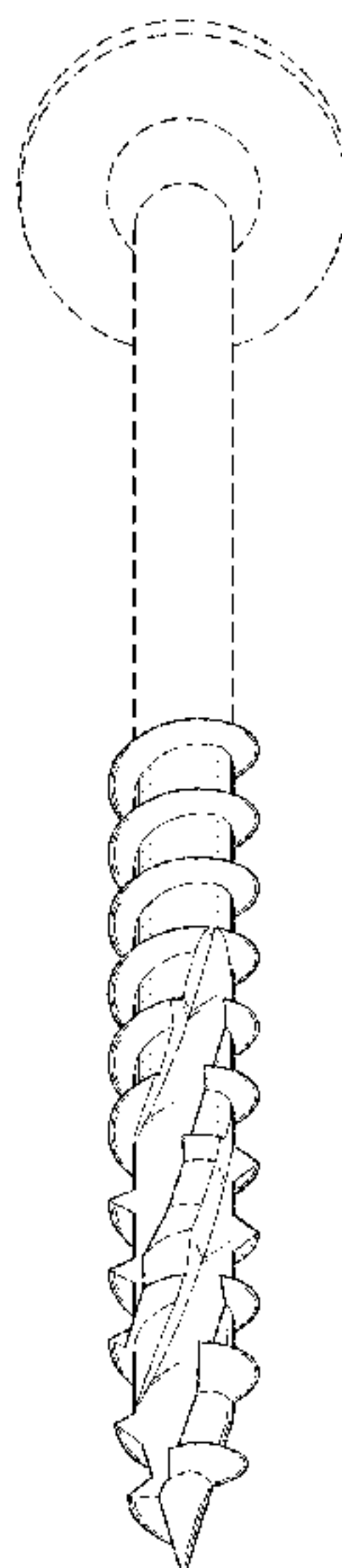
(57) **CLAIM**

The ornamental design for a screw, as shown and described.

**DESCRIPTION**

FIG. 1 is a front perspective view of a screw showing my new design;  
 FIG. 2 is a front elevational view thereof;  
 FIG. 3 is a rear elevational view thereof;  
 FIG. 4 is a left elevational view thereof;  
 FIG. 5 is a right elevational view thereof;  
 FIG. 6 is a top plan view thereof; and,  
 FIG. 7 is a bottom plan view thereof.  
 The broken lines in the drawings illustrate portions of the screw and form no part of the claimed design.

**1 Claim, 6 Drawing Sheets**



(56)

**References Cited**

U.S. PATENT DOCUMENTS

2015/0052735 A1\* 2/2015 Kochheiser ..... F16B 25/0031  
29/525.11  
2015/0071731 A1\* 3/2015 Scheerer ..... F16B 25/0021  
411/353  
2015/0093213 A1\* 4/2015 Scheerer ..... F16B 25/0021  
411/411  
2016/0238053 A1\* 8/2016 Lajewardi ..... F16B 25/0052  
2017/0016468 A1\* 1/2017 Lin ..... F16B 25/0015  
2017/0122356 A1\* 5/2017 Lajewardi ..... F16B 25/0052  
2017/0227039 A1\* 8/2017 Shih ..... F16B 25/0015  
2017/0343029 A1\* 11/2017 Hsu ..... F16B 25/103

\* cited by examiner

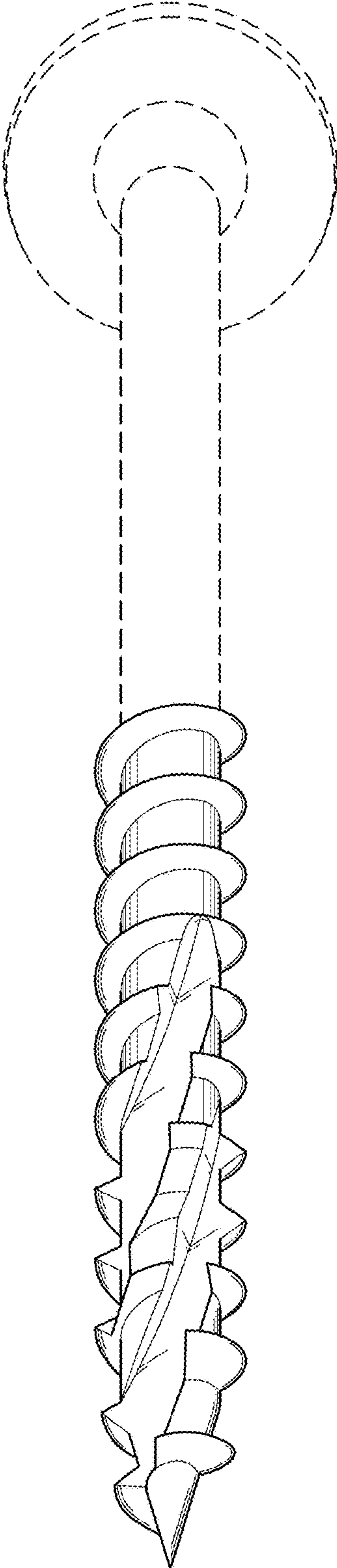


FIG.1

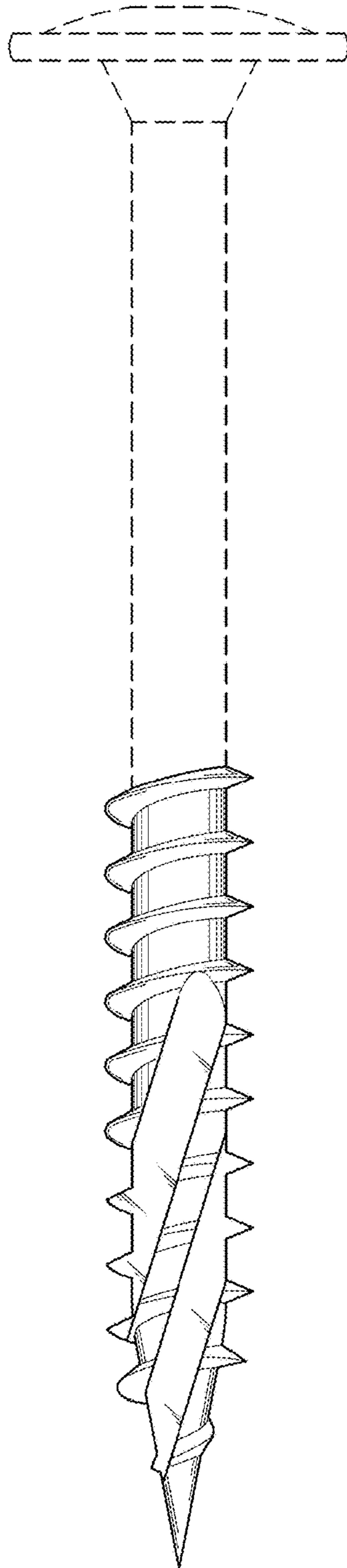


FIG.2

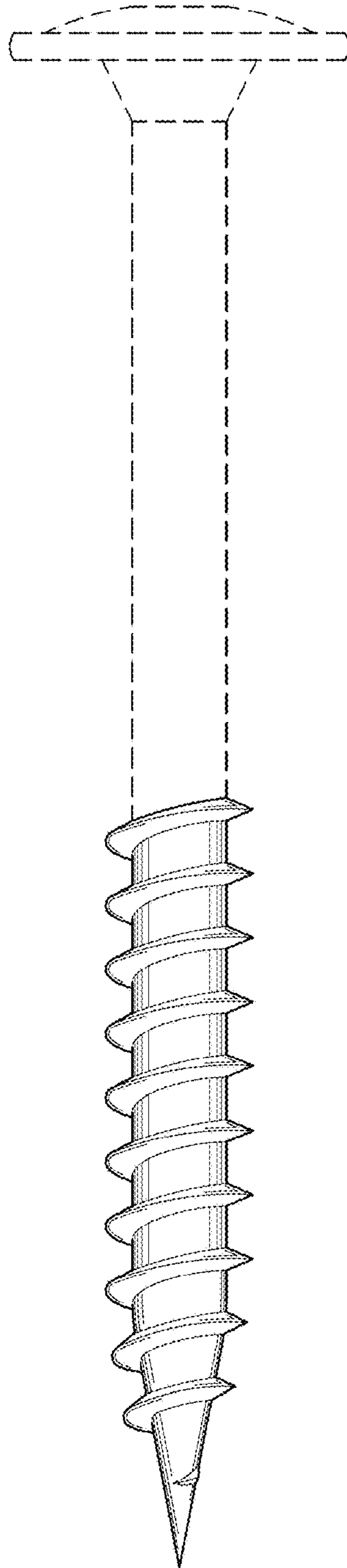


FIG.3

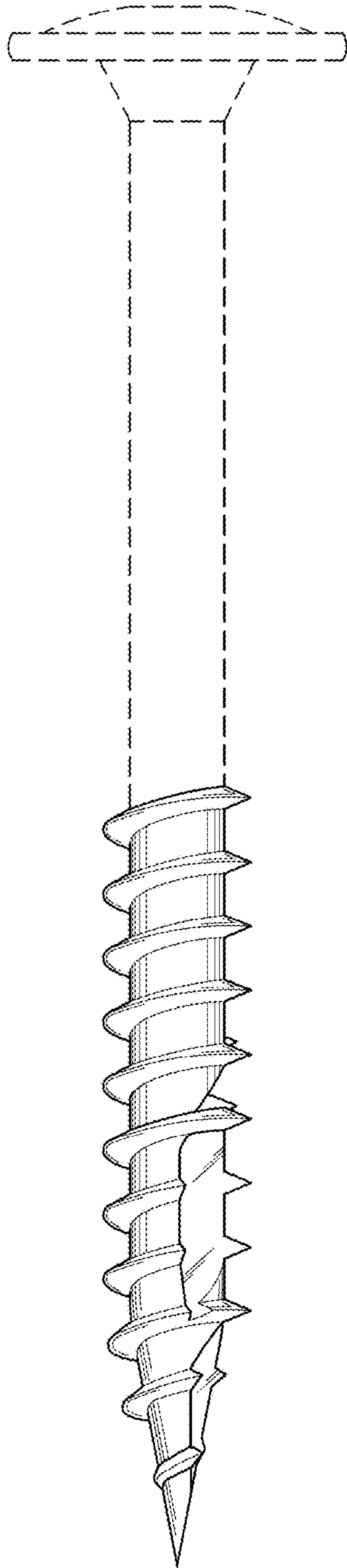


FIG.4

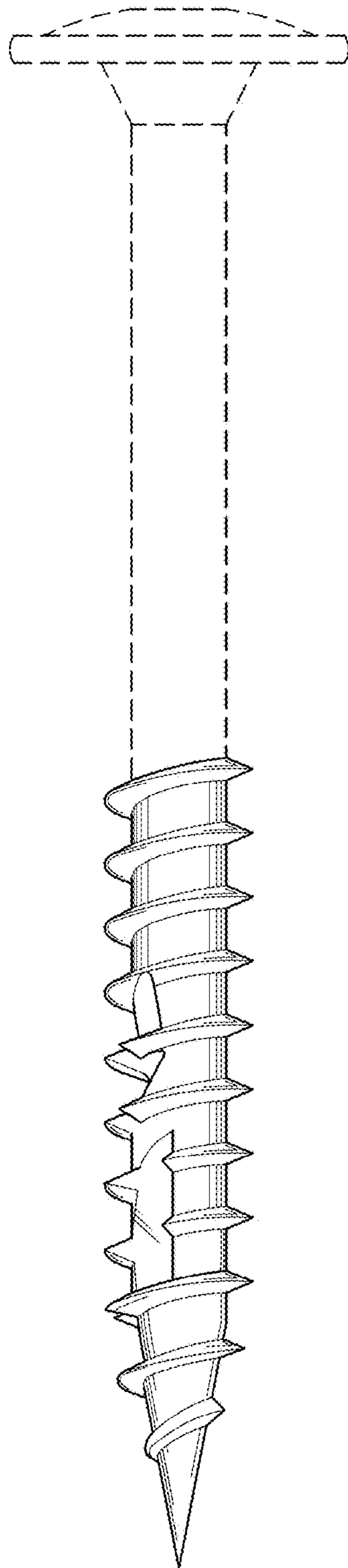


FIG.5



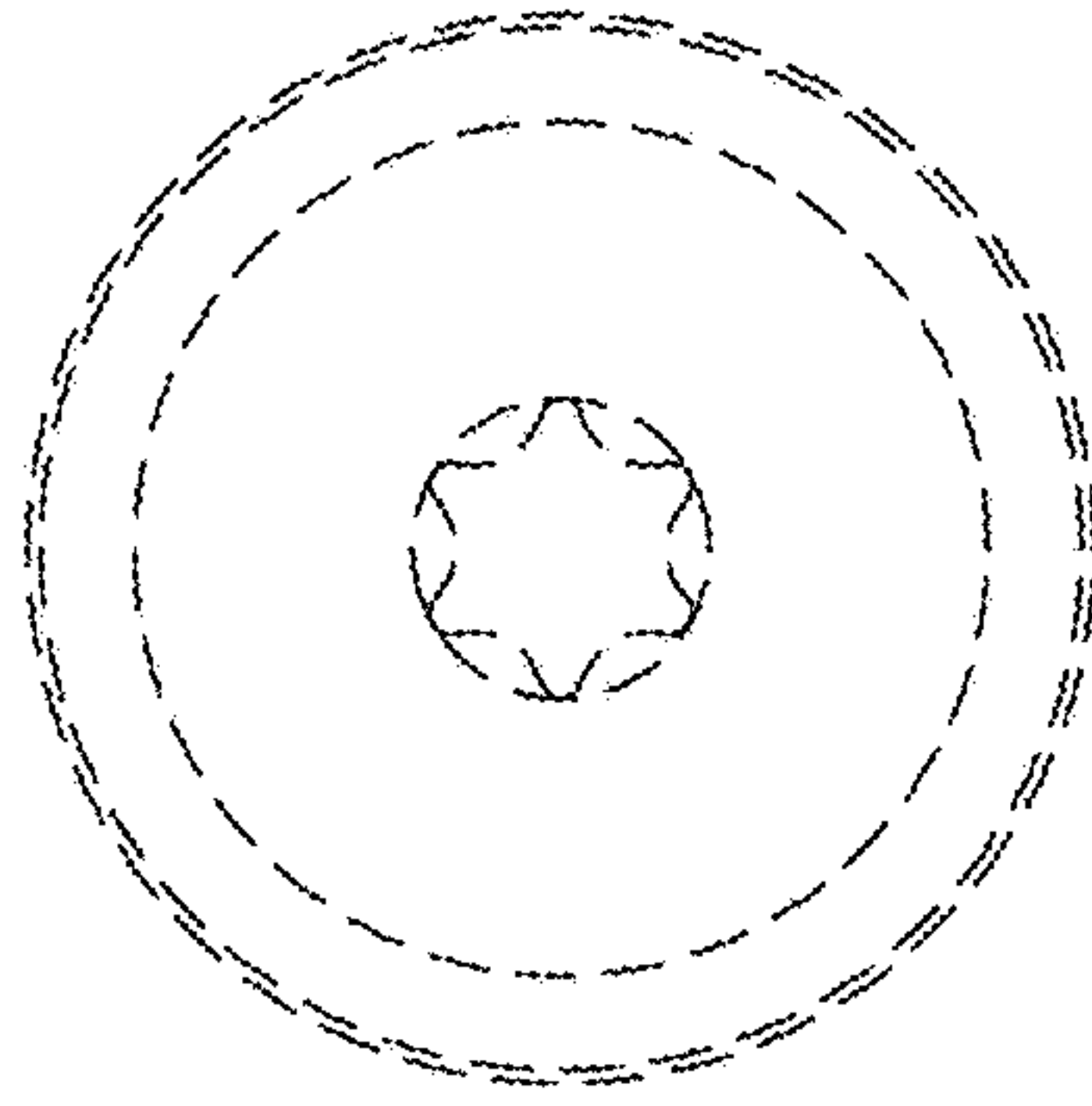


FIG. 6

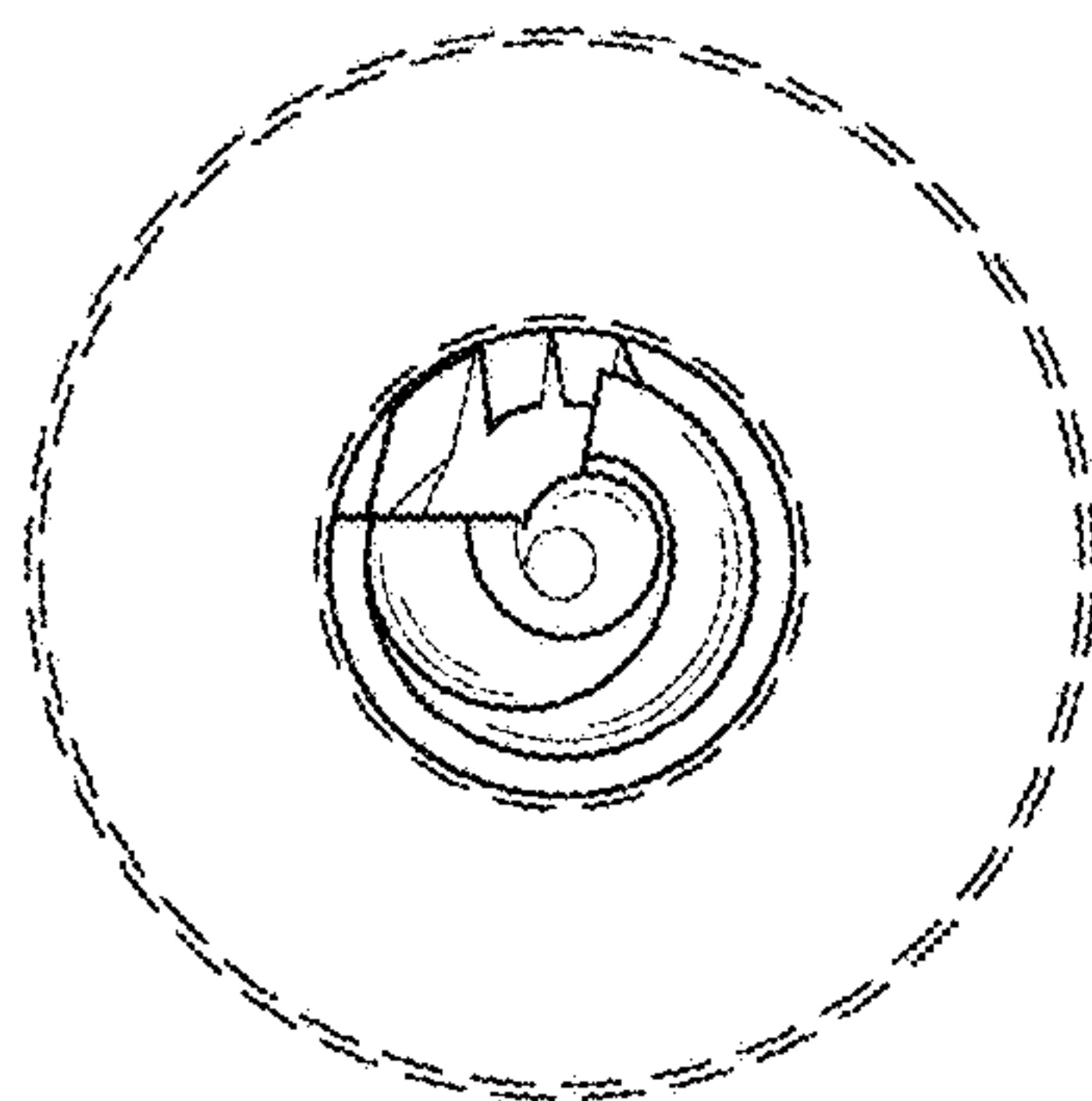


FIG. 7