



US00D863049S

(12) **United States Design Patent**
Sweeney et al.

(10) **Patent No.:** **US D863,049 S**
(45) **Date of Patent:** **** Oct. 15, 2019**

(54) **FASTENER HEAD**

(71) Applicant: **Spinal Generations, LLC**, Mokena, IL (US)

(72) Inventors: **Patrick J. Sweeney**, Flossmoor, IL (US); **Matthew V. Leyden**, St. Paul, MN (US)

(73) Assignee: **Spinal Generations, LLC**, Mokena, IL (US)

(**) Term: **15 Years**

(21) Appl. No.: **29/667,131**

(22) Filed: **Oct. 18, 2018**

Related U.S. Application Data

(63) Continuation of application No. 29/597,124, filed on Mar. 14, 2017, now Pat. No. Des. 831,476.

(51) **LOC (12) Cl.** **08-08**

(52) **U.S. Cl.**
USPC **D8/382**; D24/155

(58) **Field of Classification Search**
USPC D8/349, 382, 387, 388, 391, 393, 397, D8/399; D24/155, 156, 157
(Continued)

(56) **References Cited**

U.S. PATENT DOCUMENTS

D242,428 S * 11/1976 Stanley D8/382
D358,212 S * 5/1995 Sullivan D24/156
(Continued)

Primary Examiner — Sandra S Snapp

Assistant Examiner — Ieisha N Price

(74) *Attorney, Agent, or Firm* — Foley & Lardner LLP

(57) **CLAIM**

We claim the ornamental design for a fastener head, as shown and described.

DESCRIPTION

FIG. 1 is a top perspective view of a first embodiment of the claimed design;

FIG. 2 is a bottom perspective view of the claimed design of FIG. 1;

FIG. 3 is a front elevation view of the claimed design of FIG. 1;

FIG. 4 is a rear elevation view of the claimed design of FIG. 1;

FIG. 5 is a left side view of the claimed design of FIG. 1;

FIG. 6 is a right side view of the claimed design of FIG. 1;

FIG. 7 is a top view of the claimed design of FIG. 1;

FIG. 8 is a bottom view of the claimed design of FIG. 1;

FIG. 9 is a top perspective view of a second embodiment of the claimed design;

FIG. 10 is a bottom perspective view of the claimed design of FIG. 9;

FIG. 11 is a front elevation view of the claimed design of FIG. 9;

FIG. 12 is a rear elevation view of the claimed design of FIG. 9;

FIG. 13 is a left side view of the claimed design of FIG. 9;

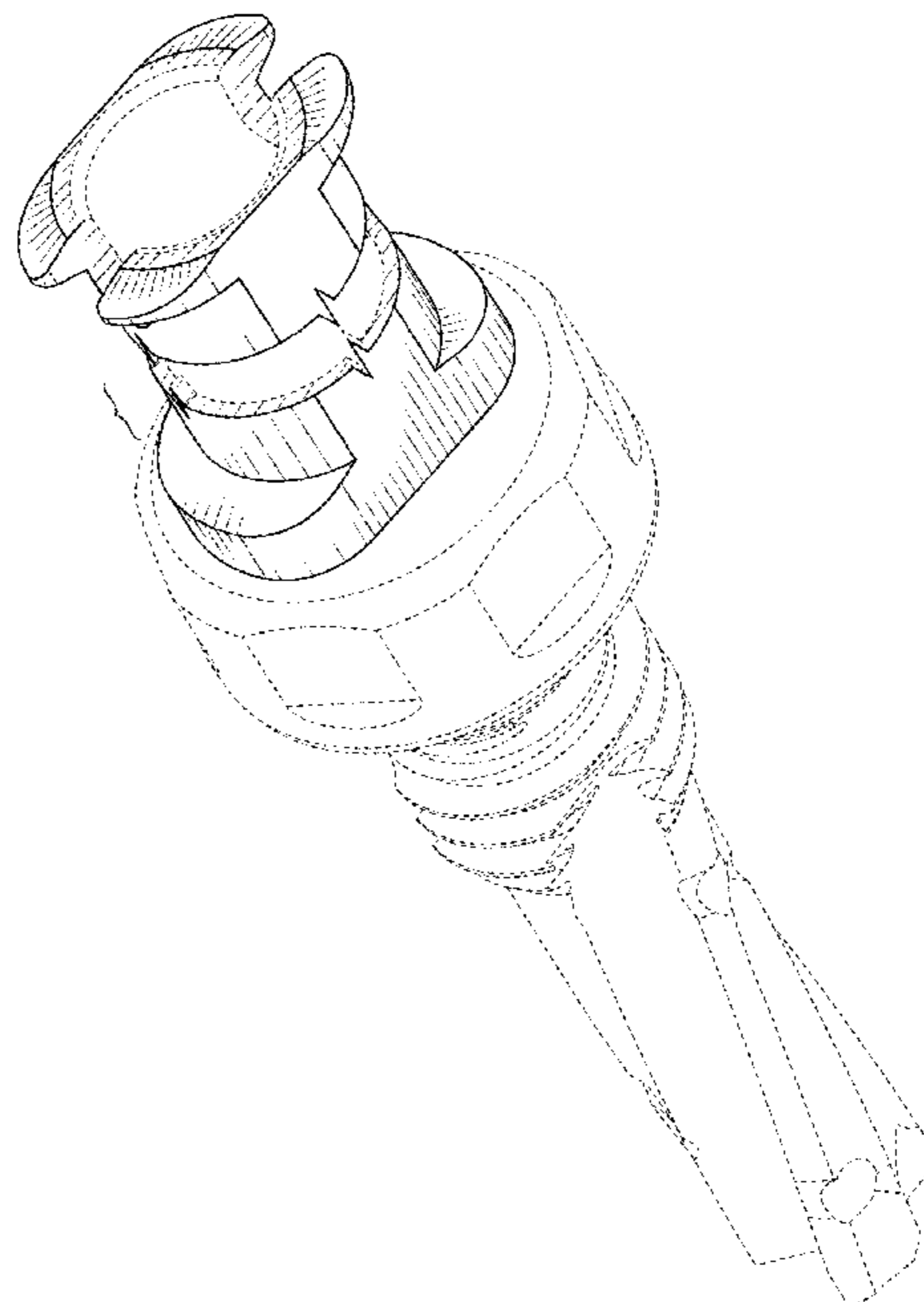
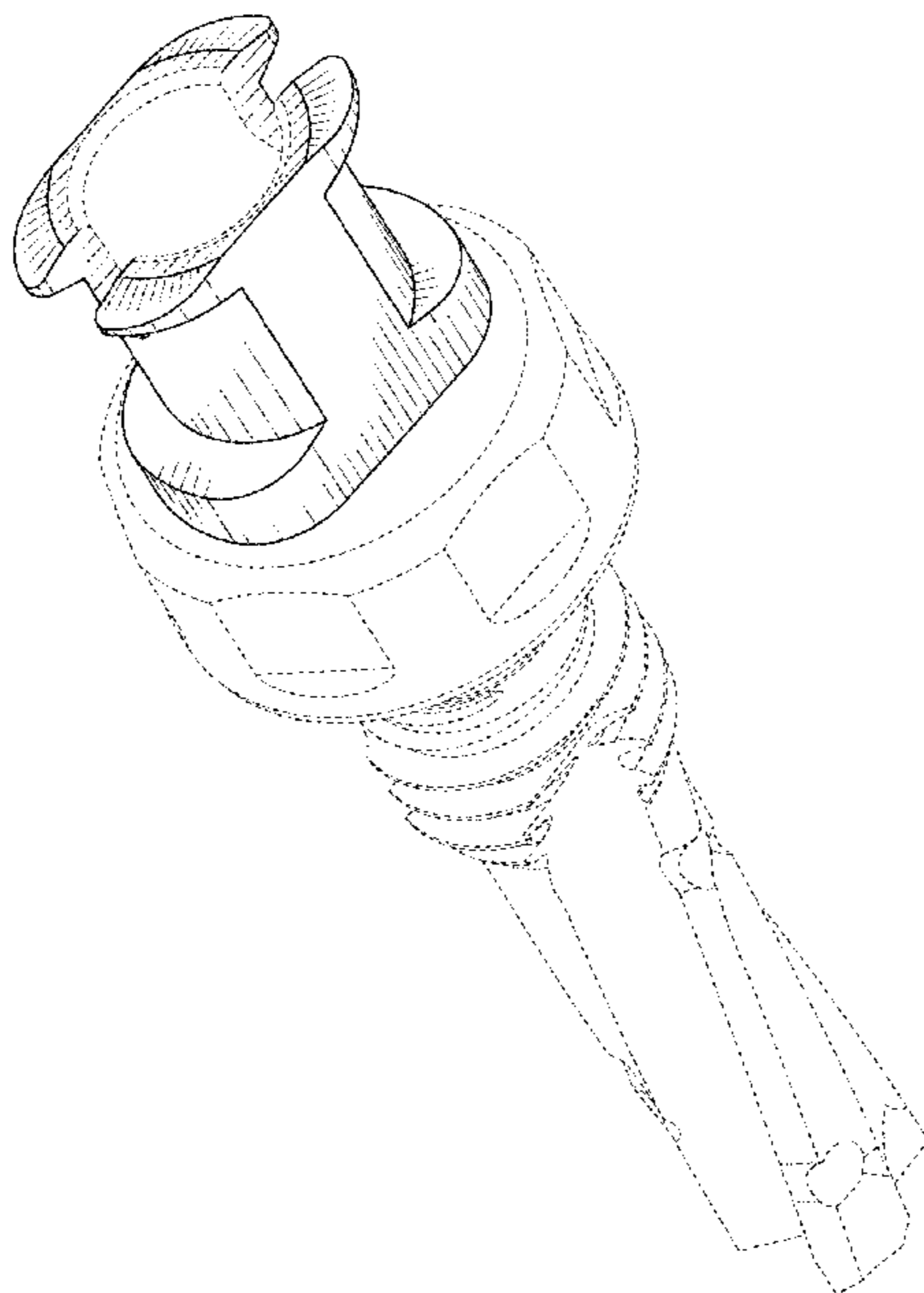
FIG. 14 is a right side view of the claimed design of FIG. 9;

FIG. 15 is a top view of the claimed design of FIG. 9; and,

FIG. 16 is a bottom view of the claimed design of FIG. 9.

The ornamental design which is claimed is shown in solid lines in the drawings. The broken lines in the drawings are for illustrative purposes only and form no part of the claimed design. The embodiment of the fastener head shown FIGS. 9-16 is shown with a symbolic break in its length. The appearance of any portion of the article between the break lines form no part of the claimed design.

1 Claim, 10 Drawing Sheets



(58) **Field of Classification Search**

CPC F16B 15/00; F16B 19/00; F16B 19/02;
F16B 23/00; F16B 23/0061; F16B
23/0007; F16B 23/0015; F16B 23/0069;
F16B 23/0084; F16B 25/0036; F16B
35/04; F16B 35/06; F16B 35/041; A61B
17/68; A61B 17/686; A61B 17/7083;
A61B 2017/0648; A61B 17/7082; A61B
17/8605; A61B 17/861; A61B 17/8877;
A61B 17/862; A61B 17/8883; A61B
17/8635

See application file for complete search history.

(56) **References Cited**

U.S. PATENT DOCUMENTS

D366,115 S * 1/1996 Sullivan D24/156
D441,448 S * 5/2001 Kumar D24/156

D574,958 S * 8/2008 Schendel D24/156
D614,941 S * 5/2010 Murphy D8/387
D706,893 S * 6/2014 Diederich D21/840
D744,106 S * 11/2015 Voudouris D24/156
D773,926 S * 12/2016 Sweeney D8/387
D801,796 S * 11/2017 Sweeney D8/387
D803,038 S 11/2017 Baker et al.
D803,039 S 11/2017 Karlsson
D828,153 S * 9/2018 Sato D8/399
D830,820 S * 10/2018 Sweeney D8/387
D831,475 S * 10/2018 Sweeney D8/387
D831,476 S * 10/2018 Sweeney D8/387
D836,976 S * 1/2019 Reese D7/396.2
D837,047 S * 1/2019 Lin D8/397
2011/0056166 A1 * 3/2011 Bartlett E04G 9/04
52/742.14
2011/0257691 A1 * 10/2011 Sutterlin A61B 17/862
606/305

* cited by examiner

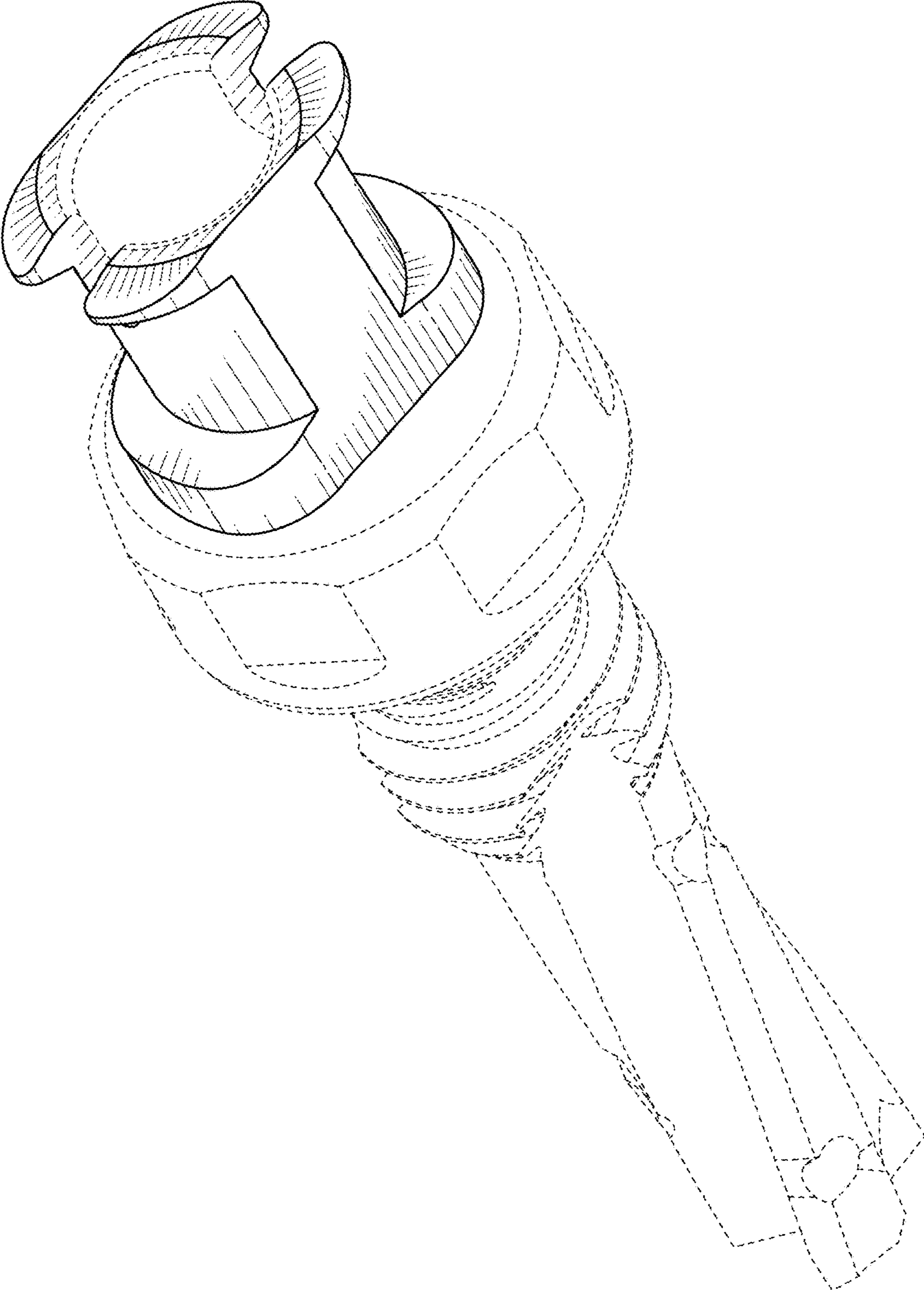


FIG. 1

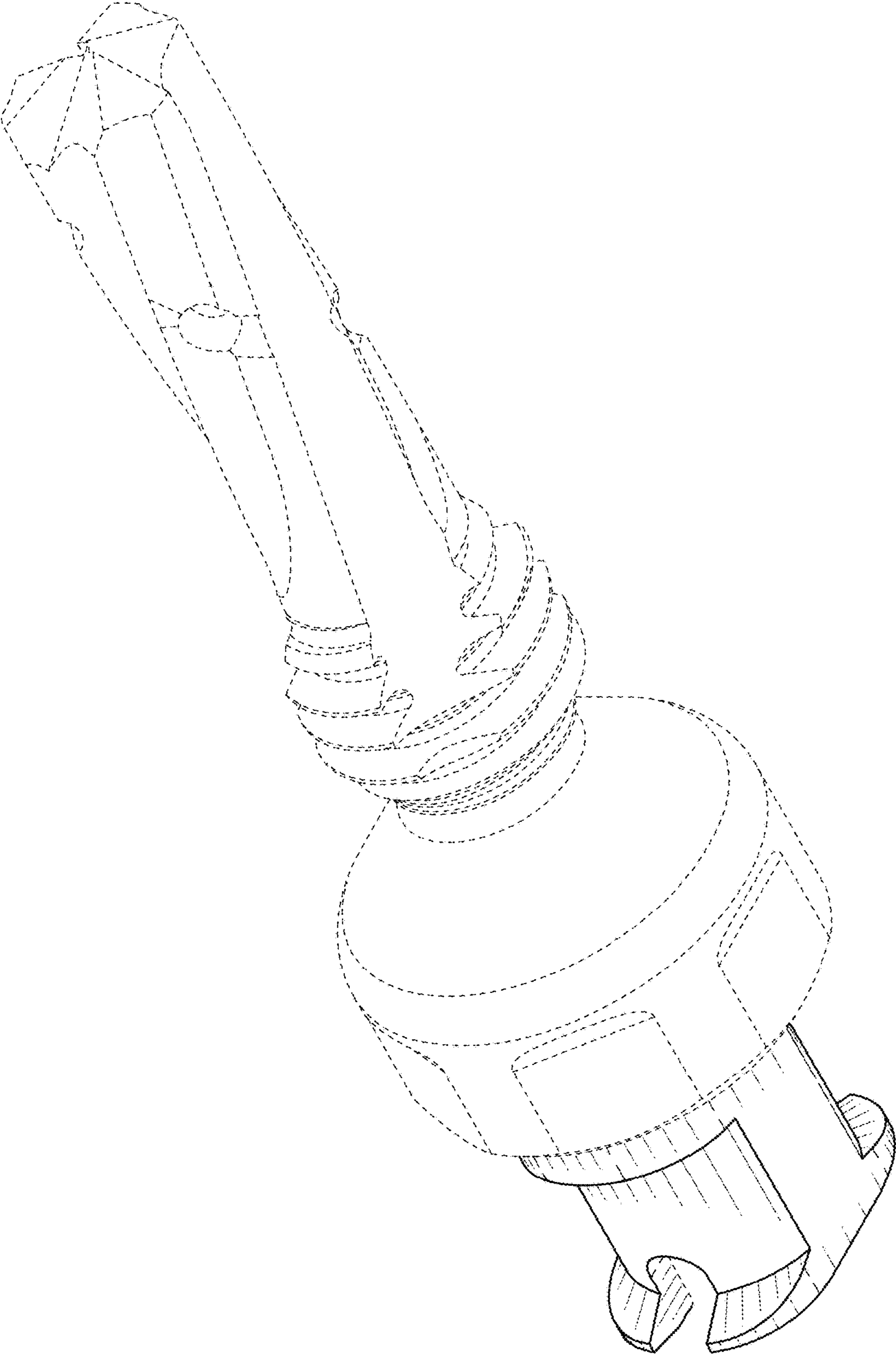


FIG. 2

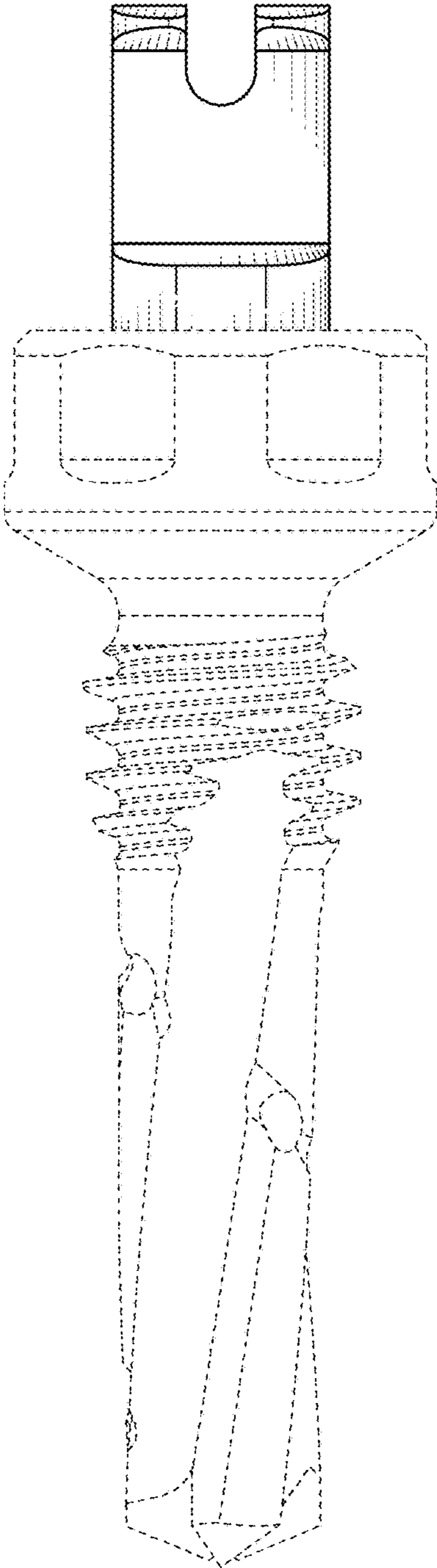


FIG. 3

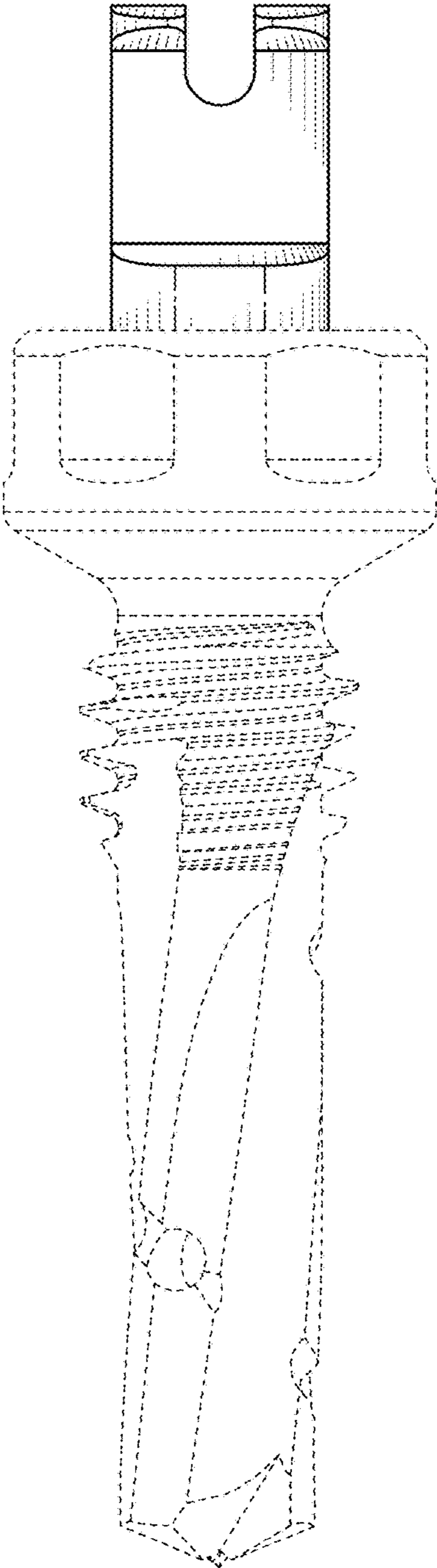


FIG. 4

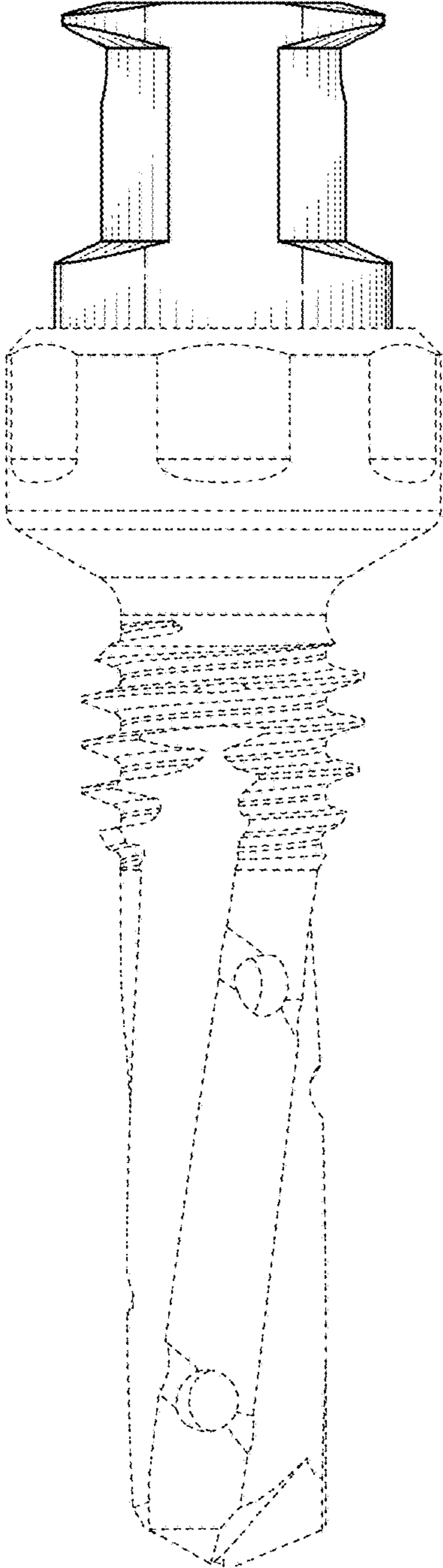


FIG. 5

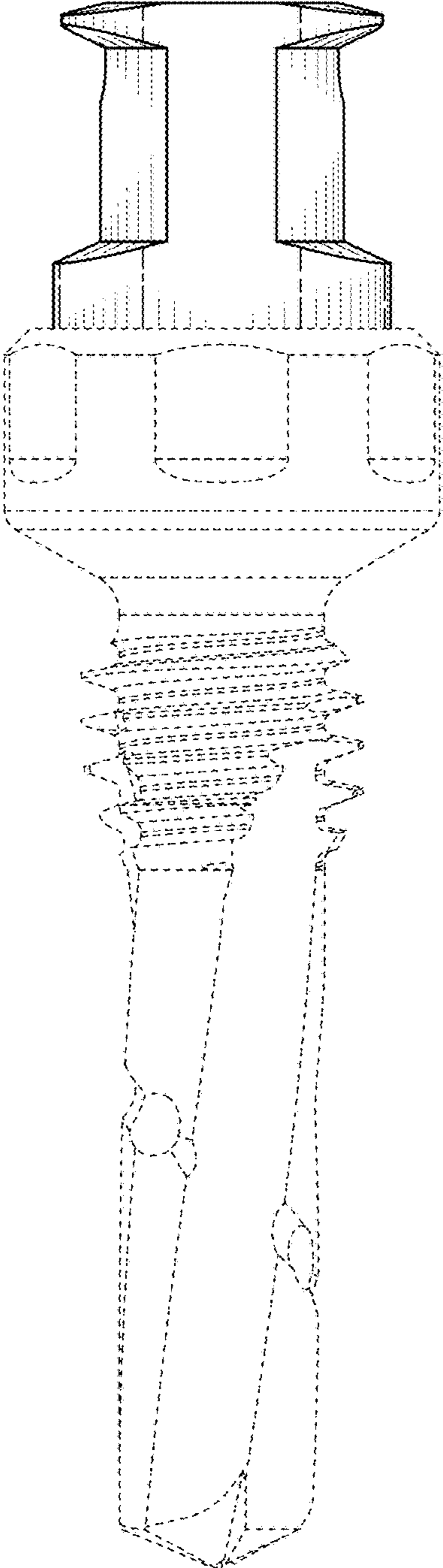


FIG. 6

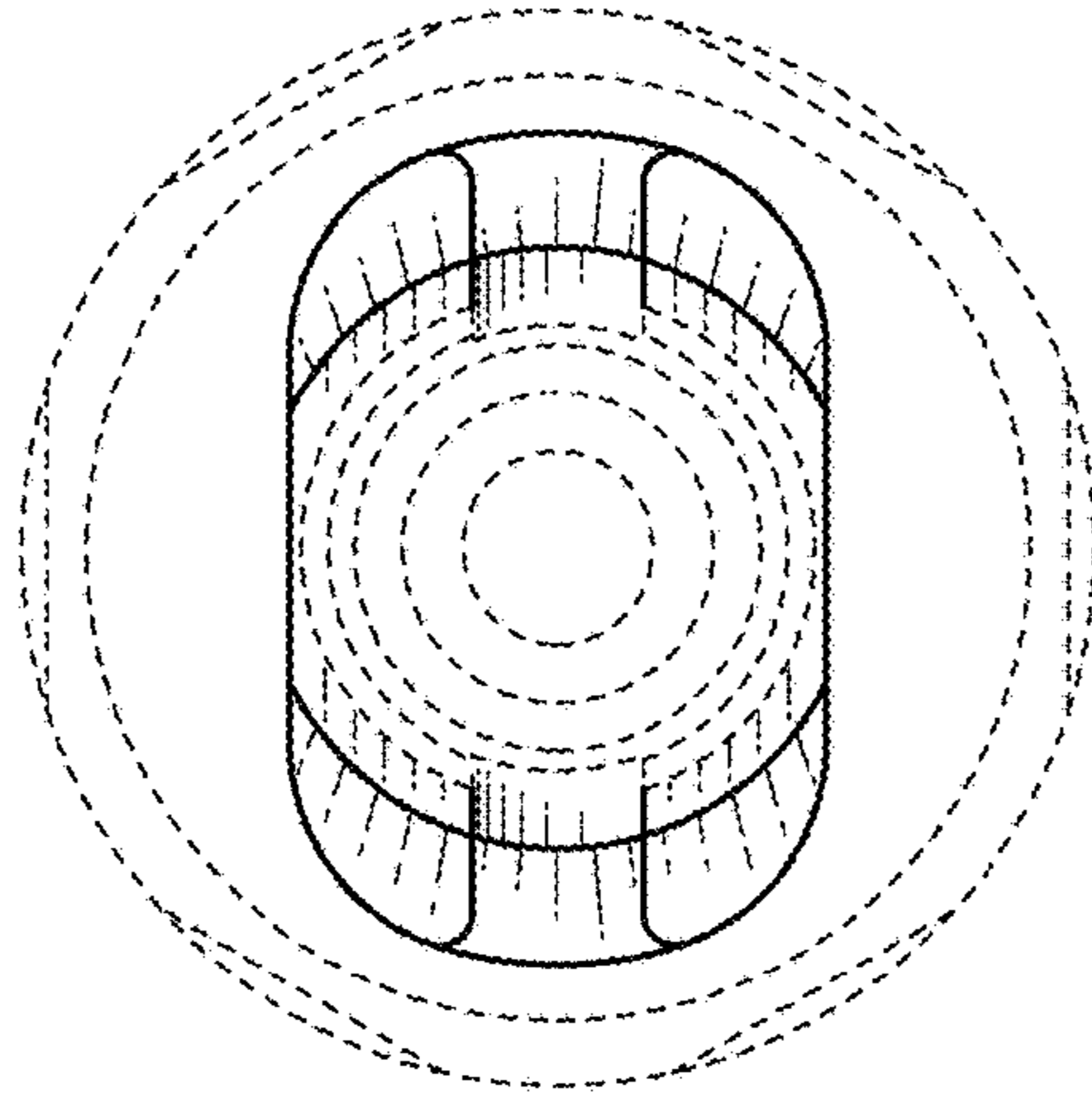


FIG. 7

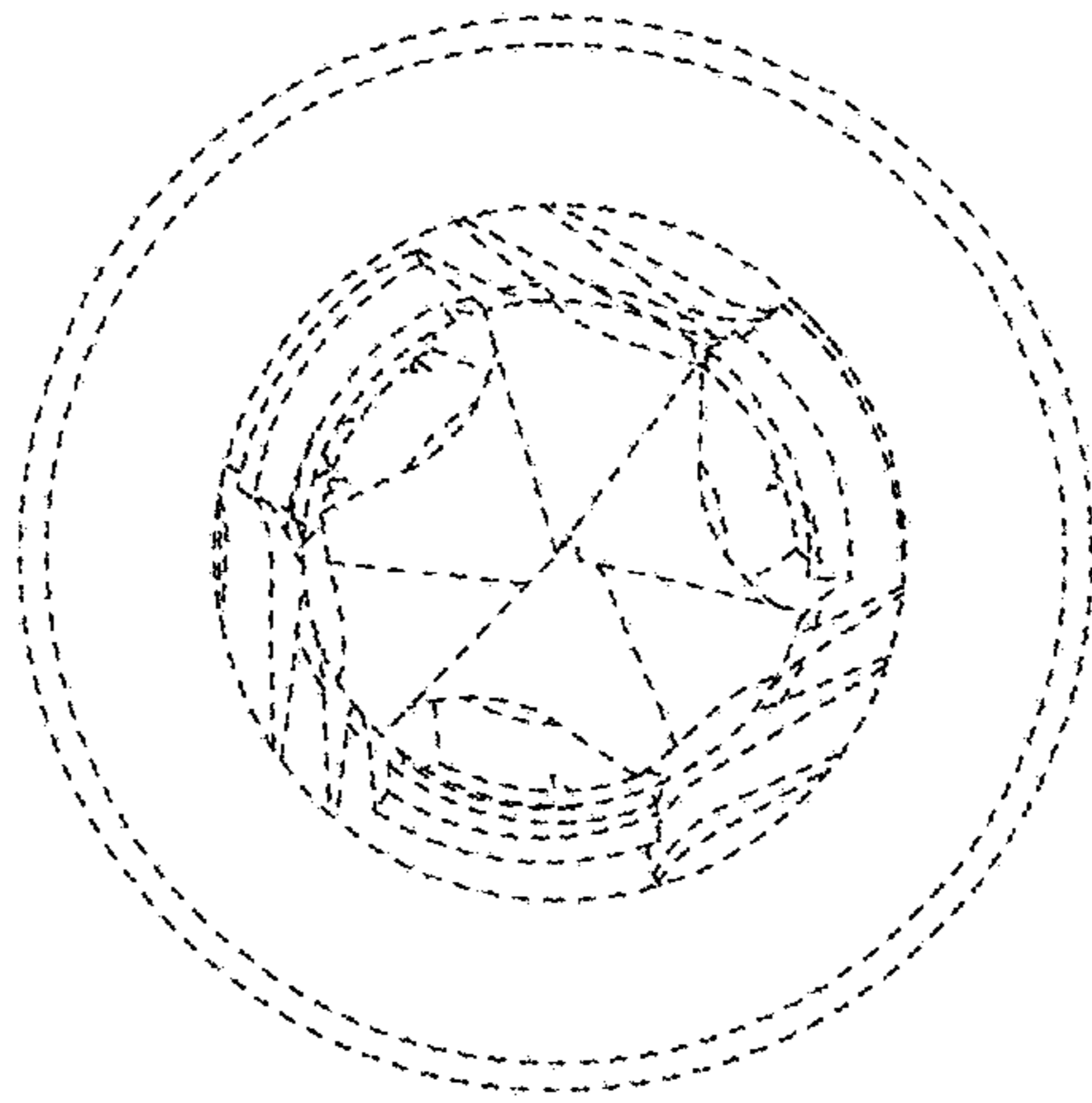


FIG. 8

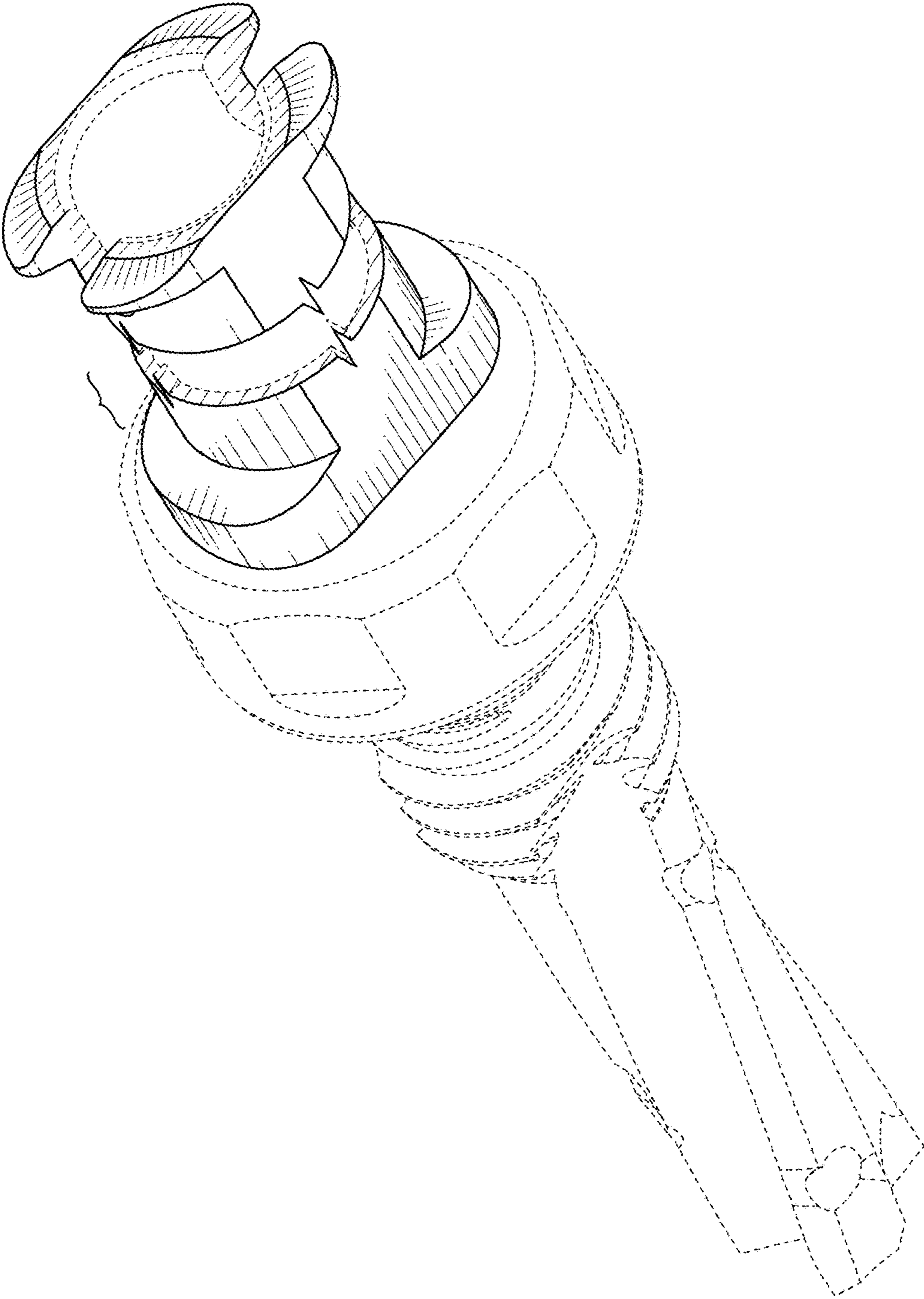


FIG. 9

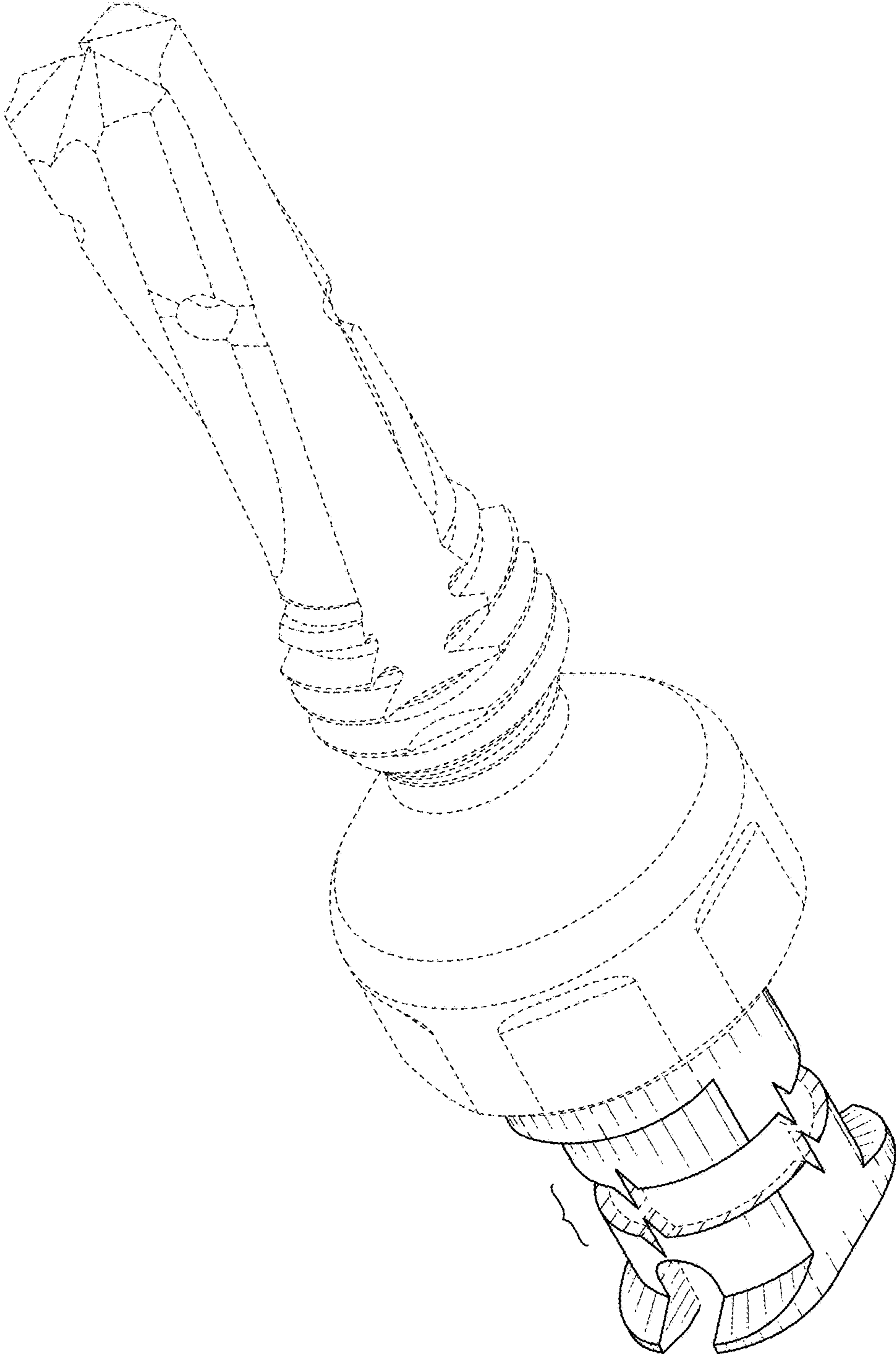


FIG. 10

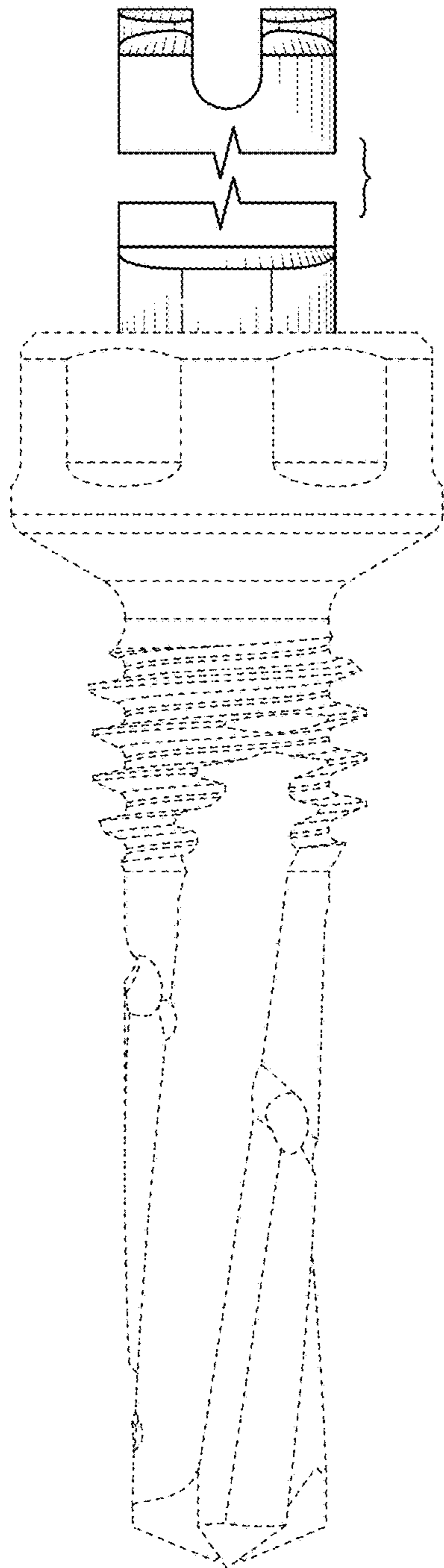


FIG. 11

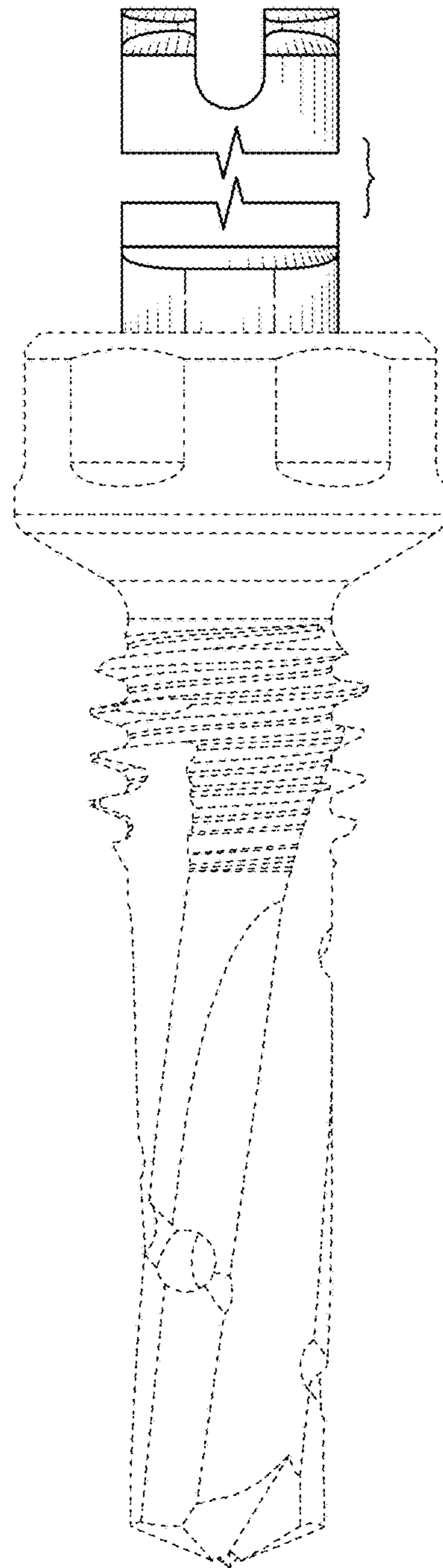


FIG. 12

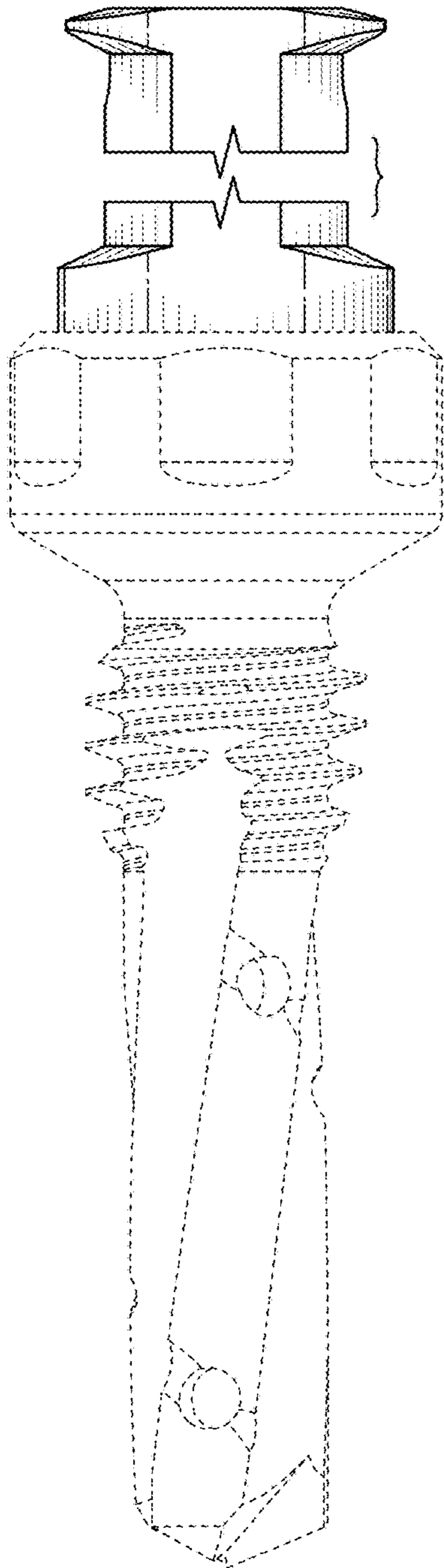


FIG. 13

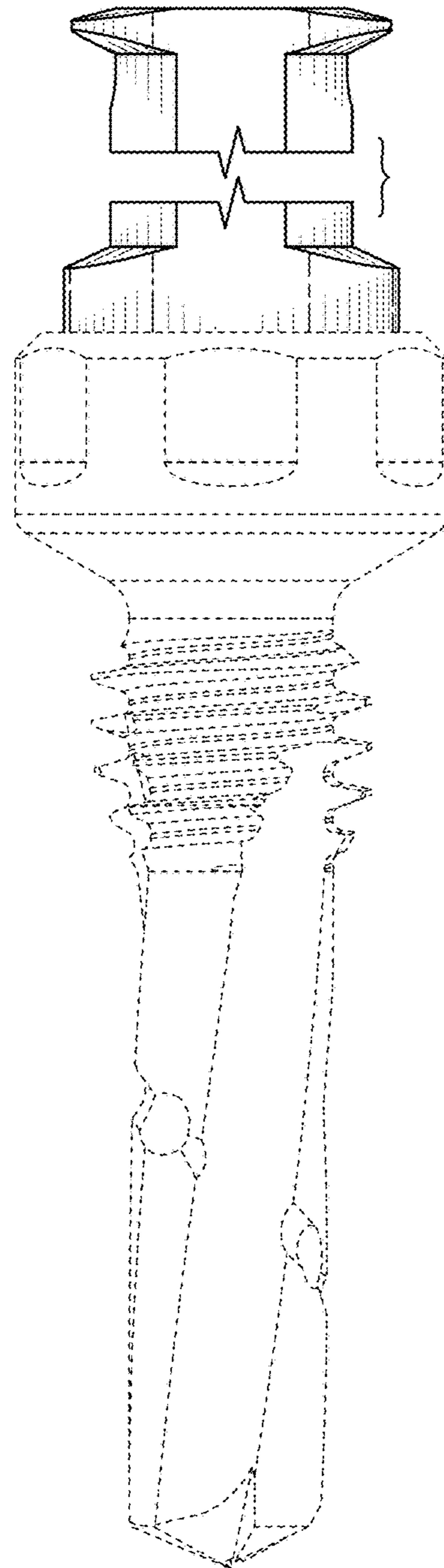


FIG. 14

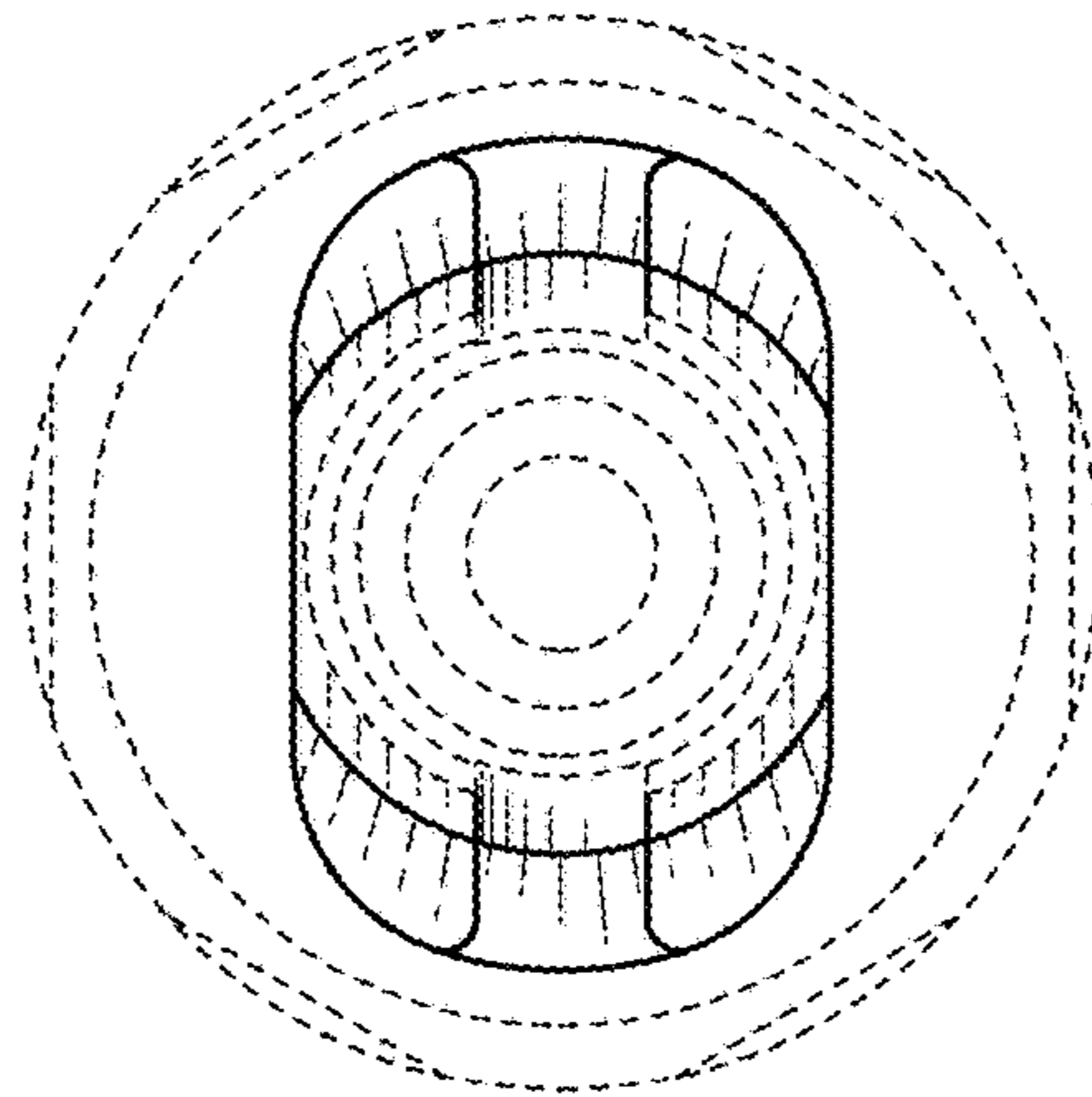


FIG. 15

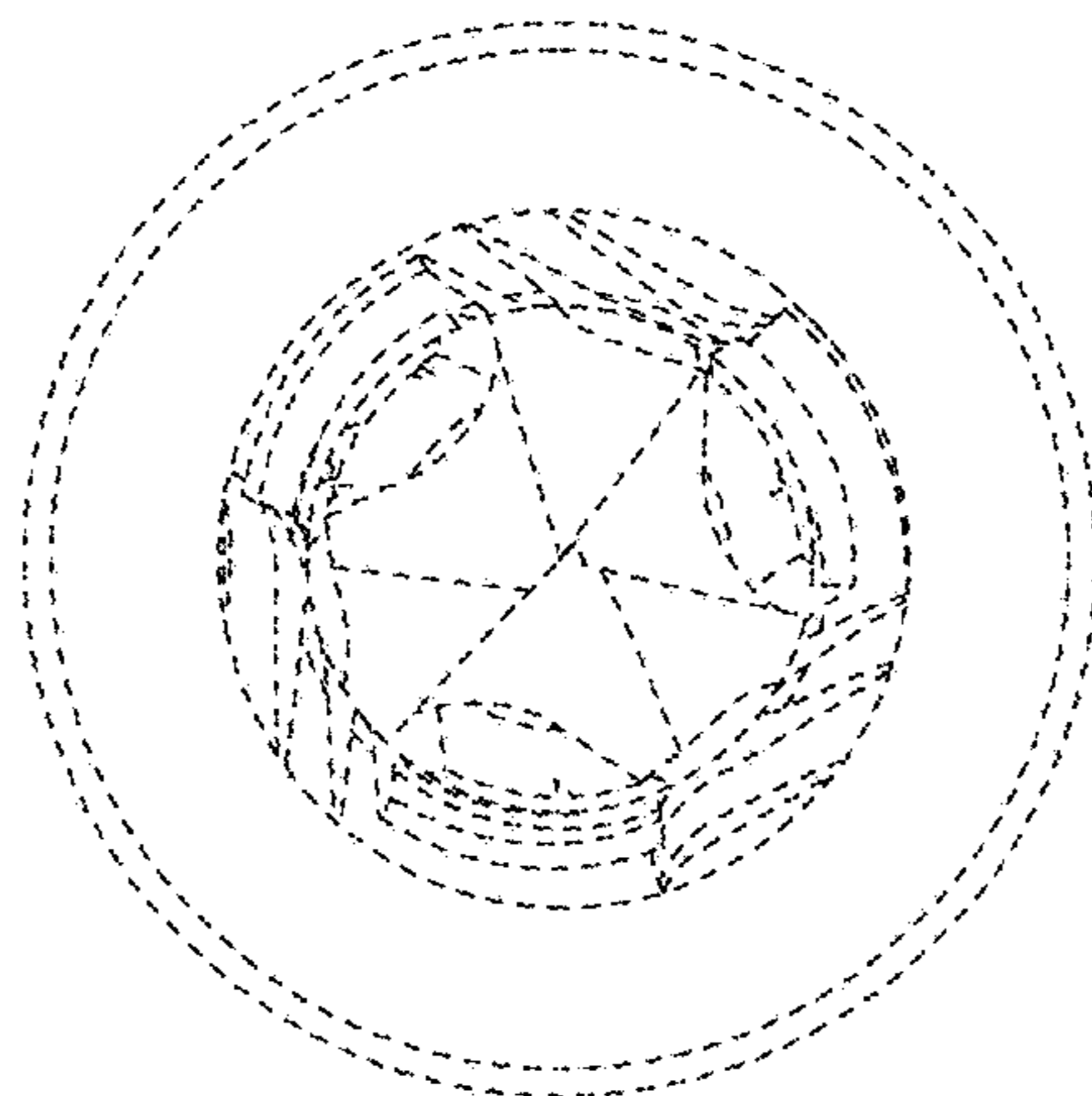


FIG. 16