



US00D863048S

(12) **United States Design Patent** (10) **Patent No.:** **US D863,048 S**
White (45) **Date of Patent:** **** Oct. 15, 2019**

(54) **UNDER SHELF BRACKET WITH WEDGE**

D424,121 S * 5/2000 Kump D20/43
D491,054 S * 6/2004 Caterinacci, Jr. D8/381
D554,983 S * 11/2007 Jones D8/381

(71) Applicant: **K-International, Inc.**, Waukegan, IL
(US)

(Continued)

(72) Inventor: **Michael J. White**, Ripon, WI (US)

OTHER PUBLICATIONS

(73) Assignee: **K-International, Inc.**, Waukegan, IL
(US)

FFR Merchandising Magnetic Under-Shelf Mount Bracket, posted at amzon.com, posting date not given, [online], [site visited Jun. 26, 2018]. Available from Internet, URL: <https://www.amazon.com/FFR-Merchandising-1816180610-Magnetic-Under-Shelf/dp/B01ABWUMFY> (Year: 2018).

(**) Term: **15 Years**

K-Frame Magnetic Under-Shelf Holder, posted at kinter.com, posting date not given, [online], [site visted Jun. 26, 2018]. Available from Internet, URL: <http://products.kinter.com/viewitems/new-products/k-frame-magnetic-under-shelf-holder> (Year: 2018).

(21) Appl. No.: **29/668,725**

(Continued)

(22) Filed: **Nov. 1, 2018**

Related U.S. Application Data

(62) Division of application No. 29/597,770, filed on Mar. 20, 2017, now Pat. No. Des. 848,827.

Primary Examiner — George D. Kirschbaum

Assistant Examiner — Maria J Edwards

(51) **LOC (12) Cl.** **08-05**

(74) *Attorney, Agent, or Firm* — Schiff Hardin LLP

(52) **U.S. Cl.**
USPC **D8/381**

(57) **CLAIM**

(58) **Field of Classification Search**
USPC D8/380, 381, 400, 402, 499
CPC A47B 96/028; A47B 57/42; A47B 96/06;
A47F 5/101; G09F 3/204
See application file for complete search history.

The ornamental design for an under shelf bracket with wedge, as shown and described.

DESCRIPTION

(56) **References Cited**

U.S. PATENT DOCUMENTS

181,320 A * 8/1876 Donnell A47B 57/42
248/243
D27,175 S * 6/1897 Shepherd D8/381
D45,052 S * 12/1913 Vail D8/349
D198,586 S * 7/1964 Boltin D8/381
D260,852 S * 9/1981 Loeschen D8/381
4,313,587 A * 2/1982 Loeschen A47B 57/56
248/217.2
D273,090 S * 3/1984 Imperial D25/48.3
D302,240 S * 7/1989 Zell D8/381
4,895,331 A * 1/1990 Nehls A47B 57/565
108/108
D331,873 S * 12/1992 Finkelstein D8/381

FIG. 1 is a perspective view taken from the front, top, right side of the under shelf bracket with wedge showing my new design;

FIG. 2 is a perspective view taken from the bottom, back, right side thereof;

FIG. 3 is a front elevational view thereof;

FIG. 4 is a back elevational view thereof;

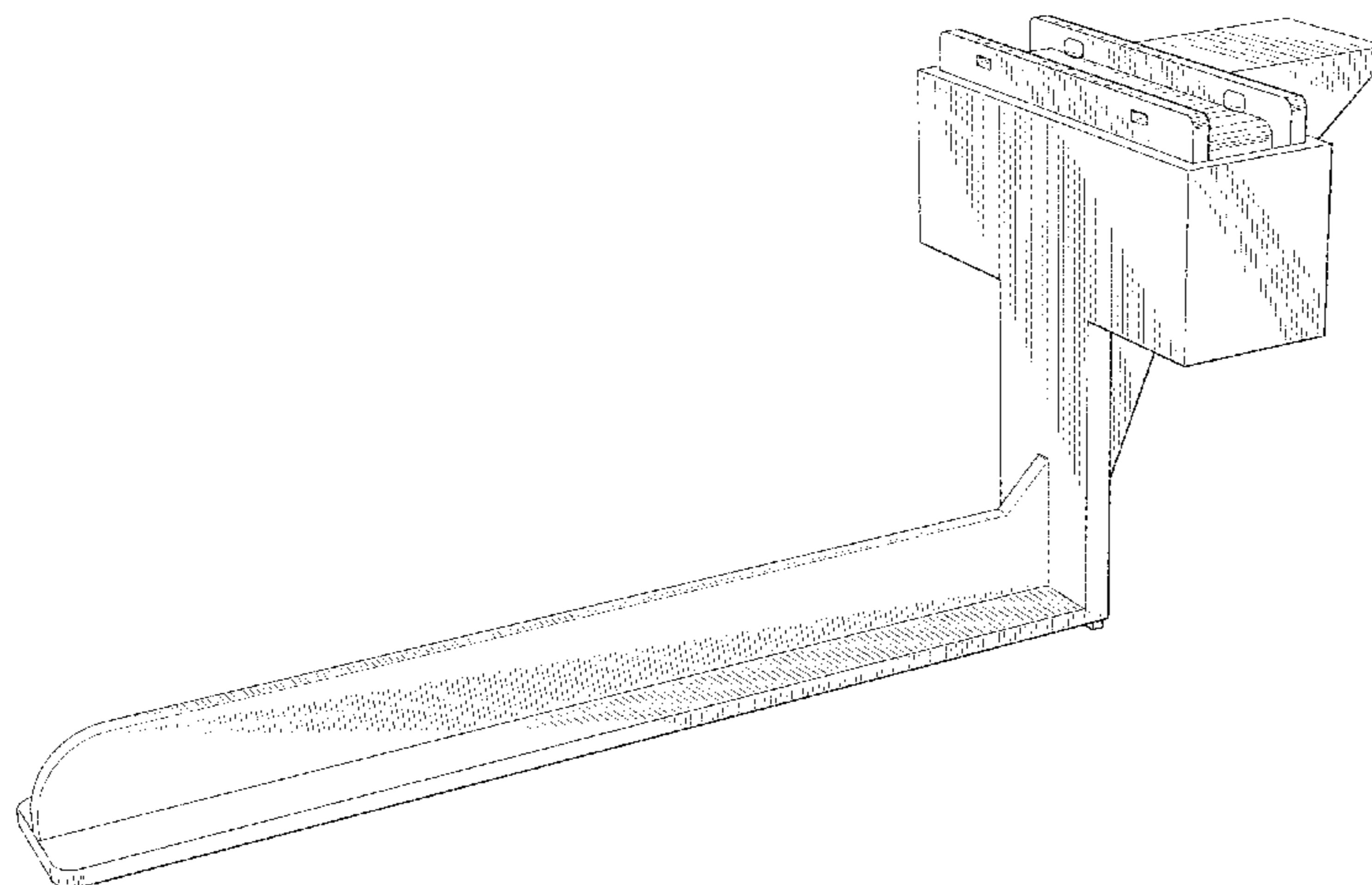
FIG. 5 is a right side elevational view thereof, the left side elevational view thereof being a mirror image of the right side elevational view;

FIG. 6 is a top plan view thereof; and,

FIG. 7 is a bottom plan view thereof.

The broken lines illustrate portions of the under shelf bracket with wedge and form no part of the claimed design.

1 Claim, 5 Drawing Sheets



(56)

References Cited

U.S. PATENT DOCUMENTS

7,316,378 B1 * 1/2008 Curran A47F 5/0068
248/298.1
D618,282 S 6/2010 Kosir
7,740,144 B2 * 6/2010 Kosir A47F 5/08
211/113
D714,625 S * 10/2014 Peterson D8/349
D715,632 S * 10/2014 White D8/395
9,200,729 B2 * 12/2015 Hobbs F16L 3/006
D769,372 S * 10/2016 White D20/43
D815,515 S * 4/2018 White D8/380
2004/0195192 A1 * 10/2004 Belokin A47F 5/0823
211/59.1
2017/0007038 A1 * 1/2017 Ewing A47F 1/126
2017/0231384 A1 * 8/2017 Erlandsson A47B 57/42
248/243

OTHER PUBLICATIONS

Magnetic Under-Shelf Mount Bracket L-Style, posted at ffr.com, posting date not given, [online], [site visited Jun. 26, 2018]. Available from Internet, URL: <https://www.ffr.com/magnetic-under-shelf-mount-bracket-l-style> (Year: 2018).

Magnetic Under-Shelf Mount Bracket with Swivel, posted at ffr.com, posting date not given, [online], [site visited Jun. 26, 2018]. Available from Internet, URL: <https://www.ffr.com/magnetic-under-shelf-mount-bracket-with-swivel> (Year: 2018).

Shelf-Top Merchandising Strip Hanger, posted at kinter.com, posting date not given, [online], [site visited Jun. 26, 2018], Available from Internet, URL: <http://products.kinter.com/item/new-products/shelf-top-merchandising-strip-hanger-plastic/107995> (Year: 2018).

* cited by examiner

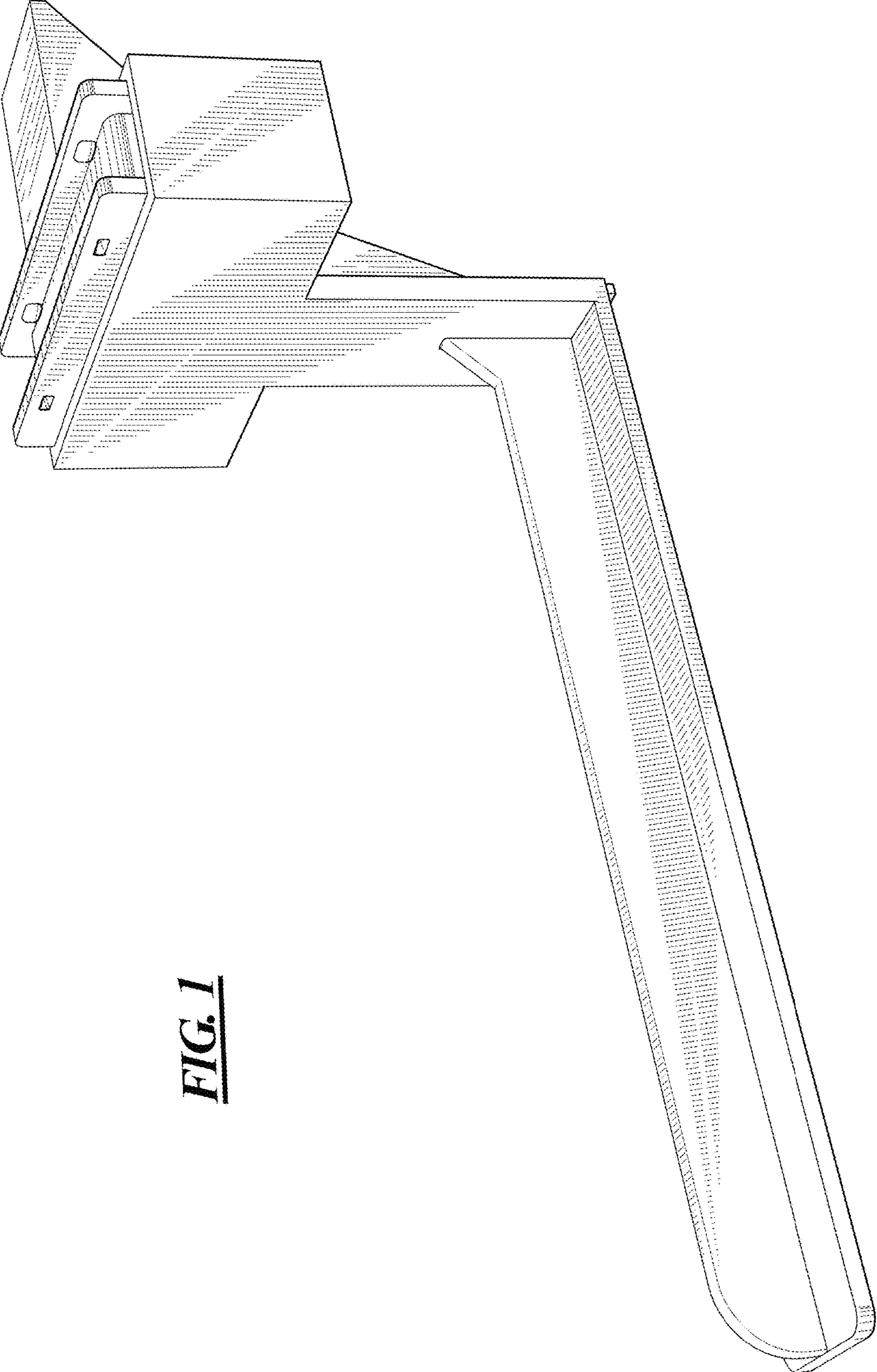


FIG. 1

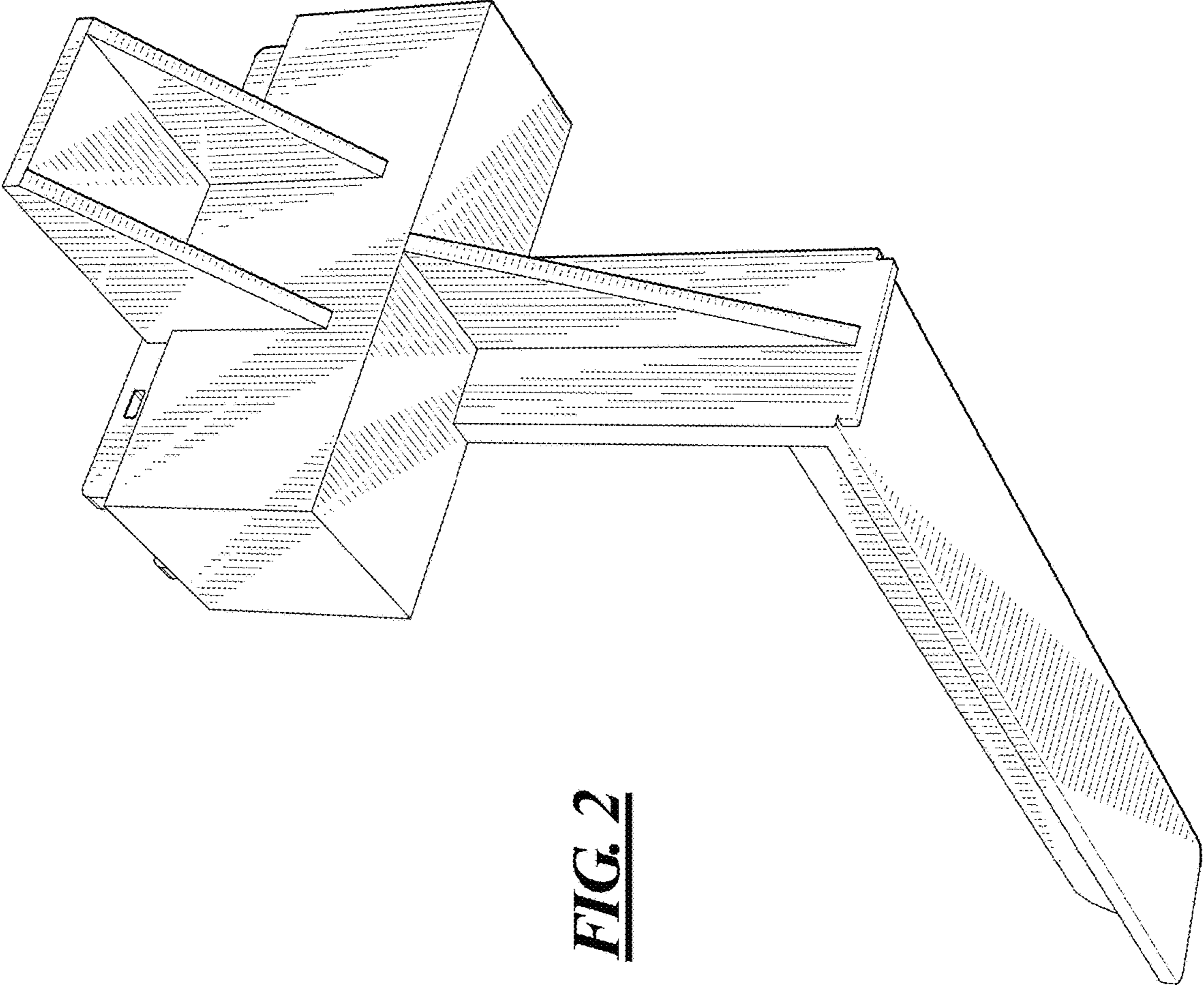


FIG. 4

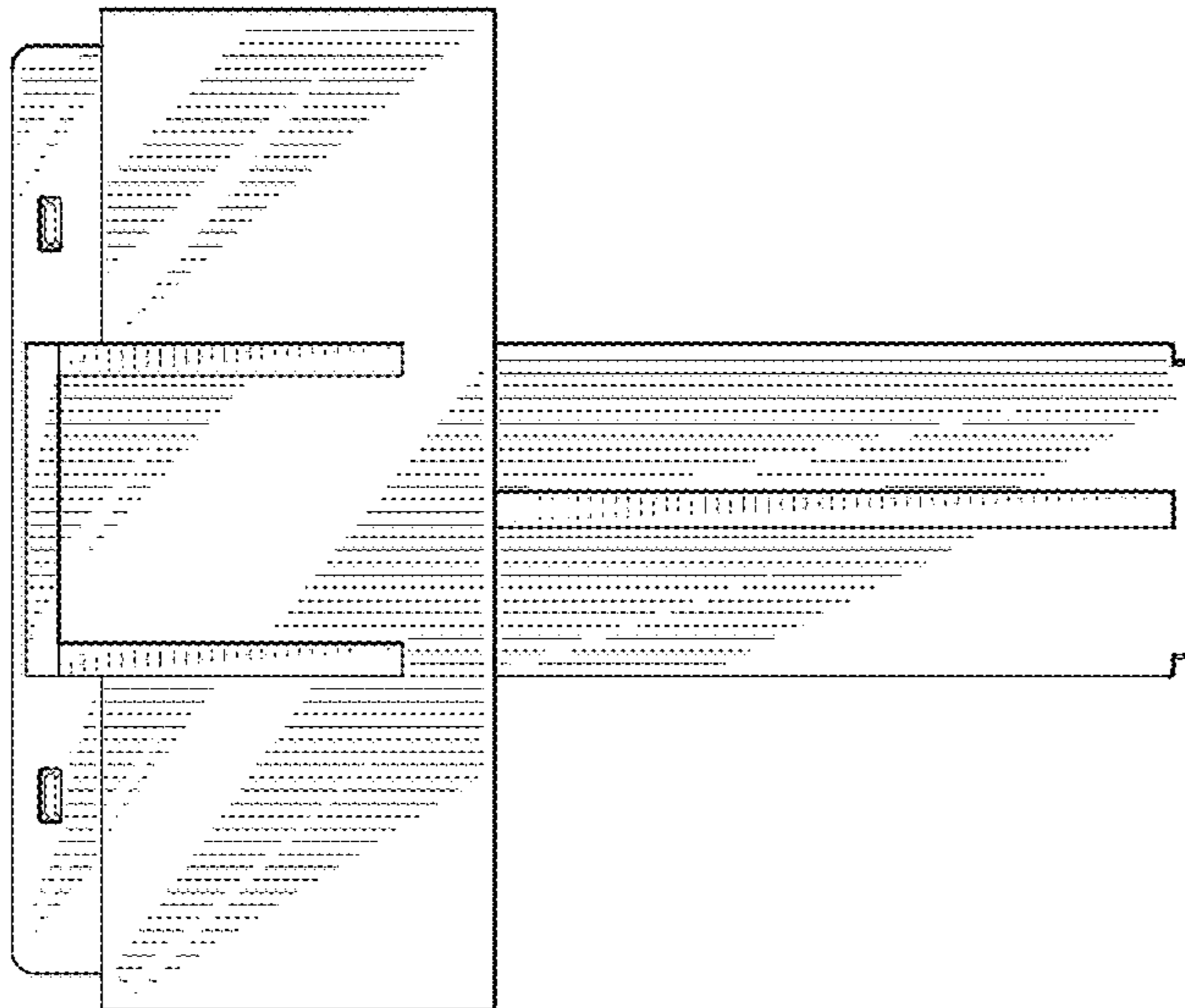
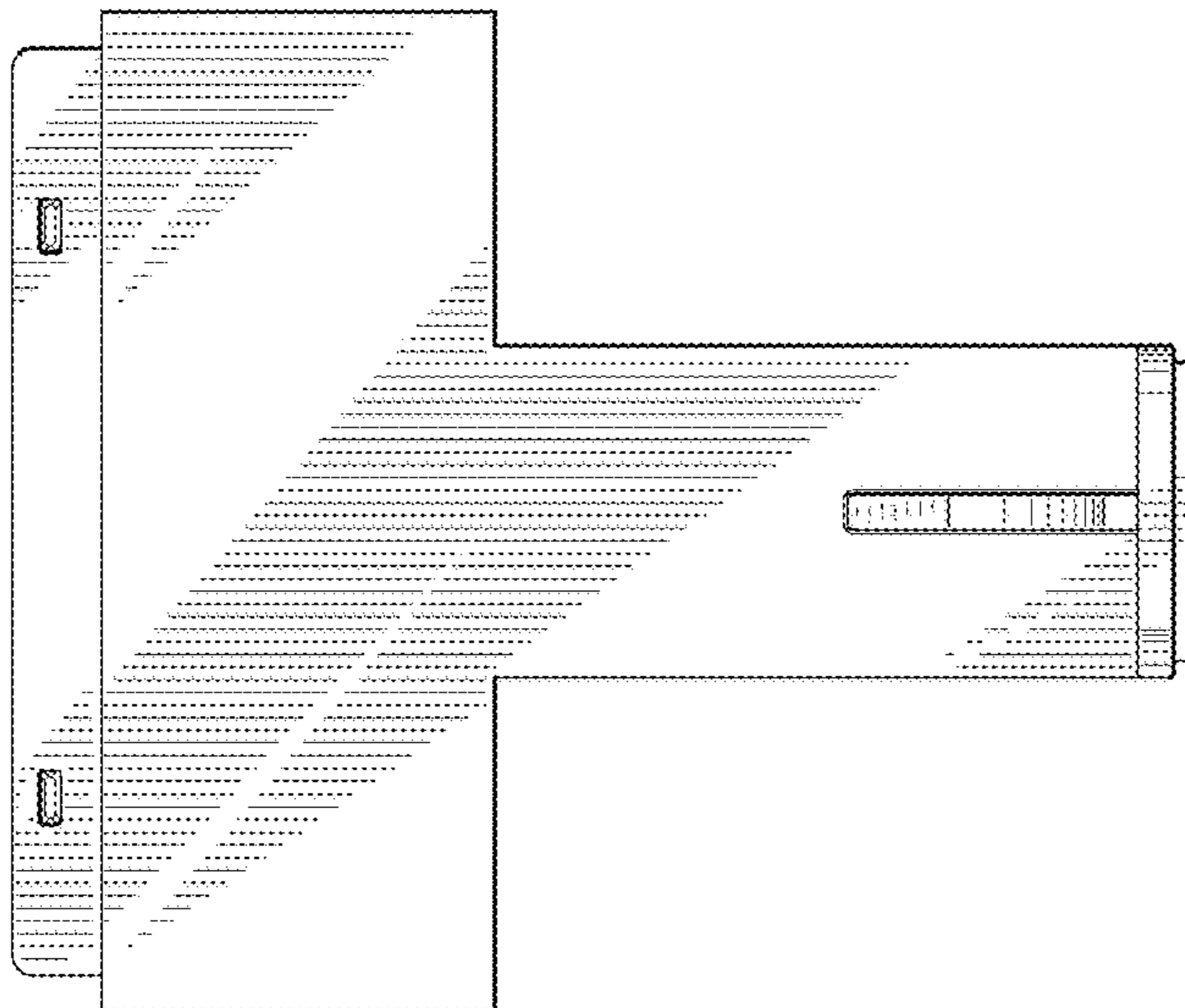


FIG. 3



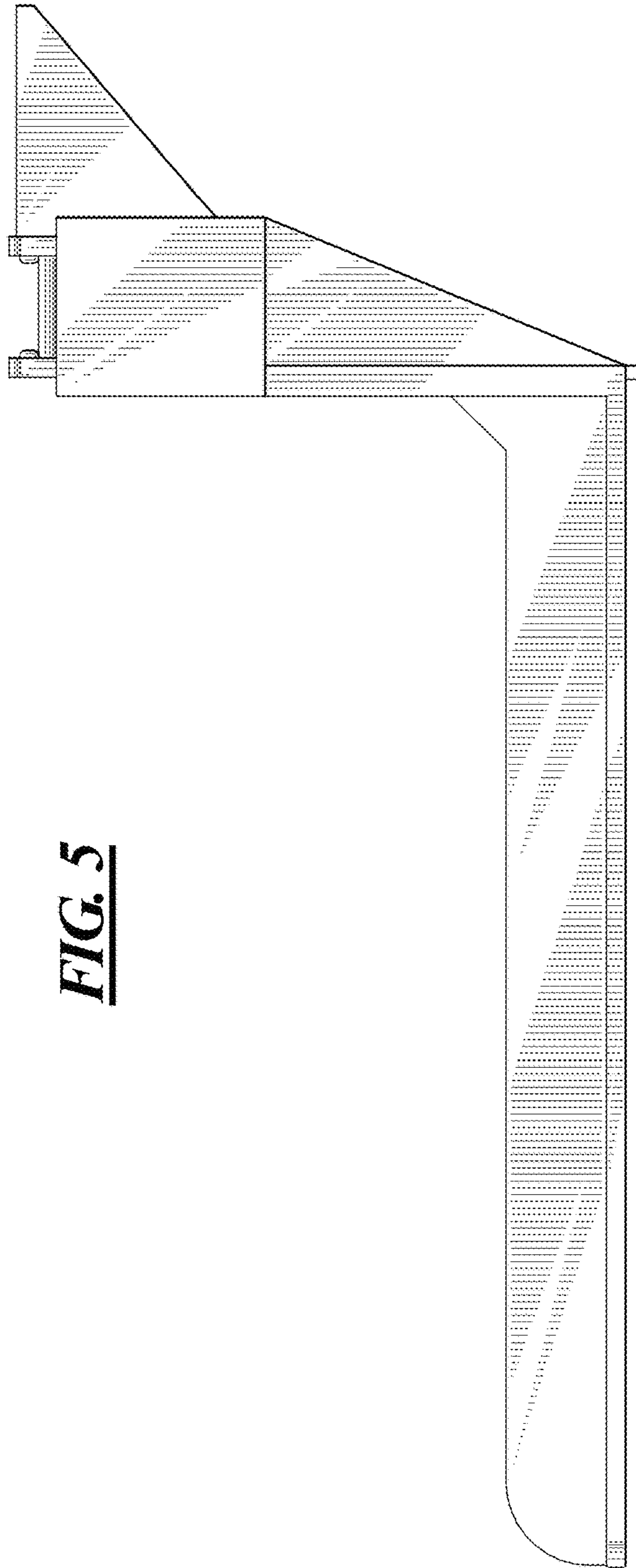


FIG. 5

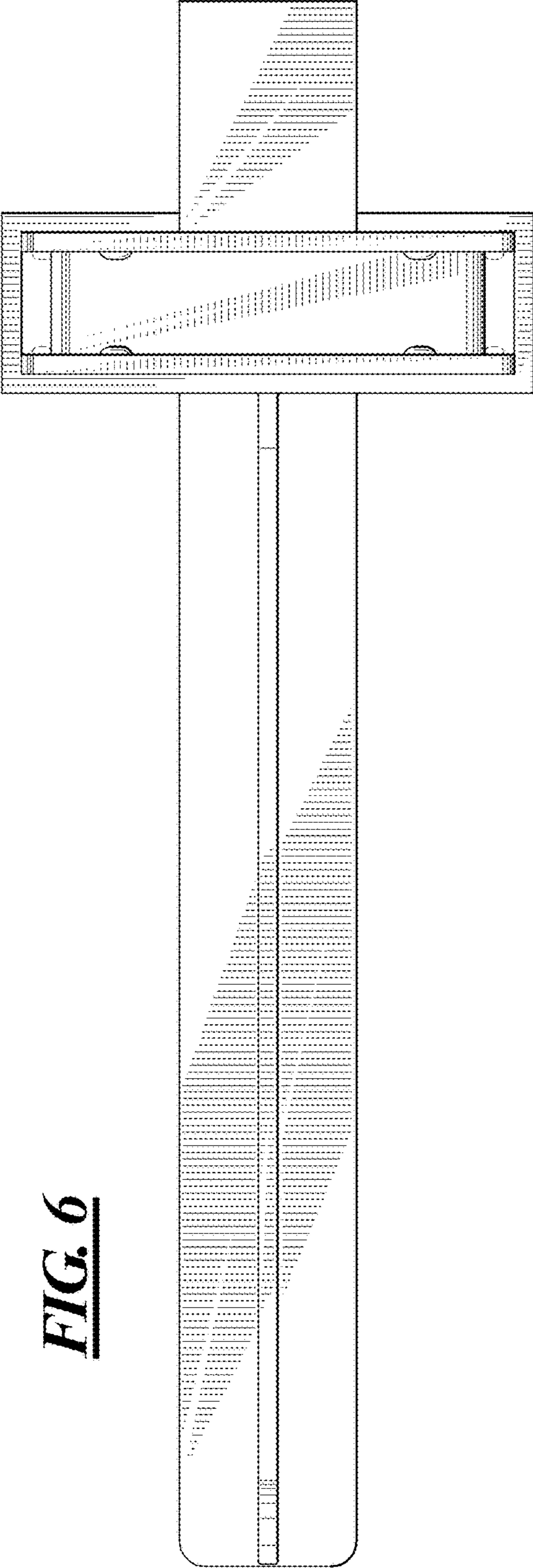


FIG. 6

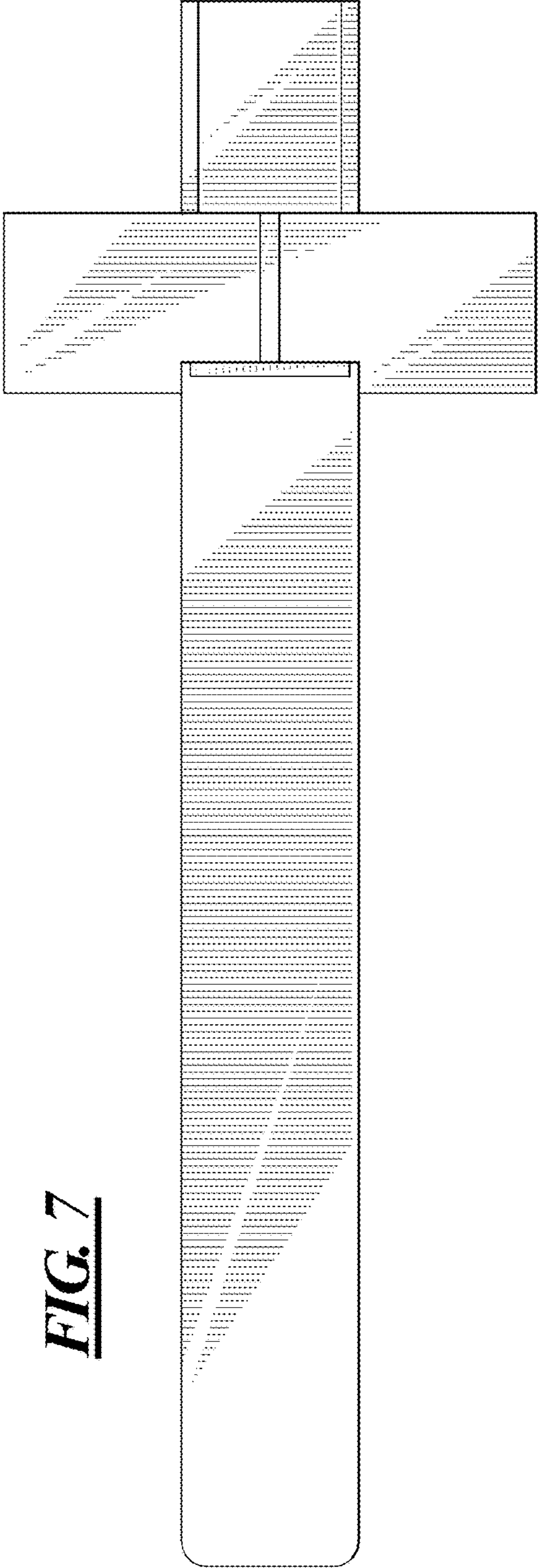


FIG. 7