



US00D863045S

(12) **United States Design Patent**  
**Dyer**

(10) **Patent No.:** **US D863,045 S**  
(45) **Date of Patent:** **\*\* Oct. 15, 2019**

- (54) **TIE TAIL CUT-OFF SHIELD**
- (71) Applicant: **HellermannTyton Corporation**,  
Milwaukee, WI (US)
- (72) Inventor: **Edward P. Dyer**, Germantown, WI  
(US)
- (73) Assignee: **HELLERMANN TYTON**  
**CORPORATION**, Milwaukee, WI  
(US)
- (\*\*) Term: **15 Years**
- (21) Appl. No.: **29/675,560**
- (22) Filed: **Jan. 3, 2019**

- 5,956,813 A \* 9/1999 Cooper ..... B65D 63/1063  
24/16 PB
- 6,497,258 B1 \* 12/2002 Flannery ..... B65D 63/1063  
140/123.6
- 7,131,168 B2 \* 11/2006 Pangallo ..... B65D 63/1063  
24/16 PB
- D537,333 S \* 2/2007 Jowsey ..... D8/396
- 7,775,484 B2 \* 8/2010 Gunzburger ..... B60R 16/0215  
248/74.3
- 7,789,414 B2 \* 9/2010 Blackburn ..... B60R 21/213  
24/16 PB
- D631,731 S \* 2/2011 Chen ..... D8/356
- D634,187 S \* 3/2011 Kozel ..... D8/396
- 8,413,306 B2 \* 4/2013 Gallant ..... B29C 43/222  
24/306
- D698,632 S \* 2/2014 Wang ..... D8/383
- 8,739,387 B1 \* 6/2014 Frishberg ..... F16L 3/2332  
140/93 A

(Continued)

**Related U.S. Application Data**

- (62) Division of application No. 29/611,670, filed on Jul. 24, 2017, now Pat. No. Des. 844,416.
- (51) **LOC (12) Cl.** ..... **09-06**
- (52) **U.S. Cl.**  
USPC ..... **D8/356**
- (58) **Field of Classification Search**  
USPC ..... D8/356, 354, 349, 360; 381/384  
CPC ..... E02D 5/803; B63B 21/045; B63B 59/02;  
B60D 1/18; B60P 7/0823; A44B 13/0029;  
B65H 75/362; B66D 3/046  
See application file for complete search history.

**References Cited**

**U.S. PATENT DOCUMENTS**

- (56) 4,754,529 A \* 7/1988 Paradis ..... B29C 45/0055  
24/16 PB
- 5,884,367 A \* 3/1999 Teagno ..... F16L 3/2332  
24/16 PB
- 5,911,368 A \* 6/1999 Davignon ..... B65D 63/1081  
24/16 PB

*Primary Examiner* — Cynthia R Underwood  
(74) *Attorney, Agent, or Firm* — Robert J. Myers

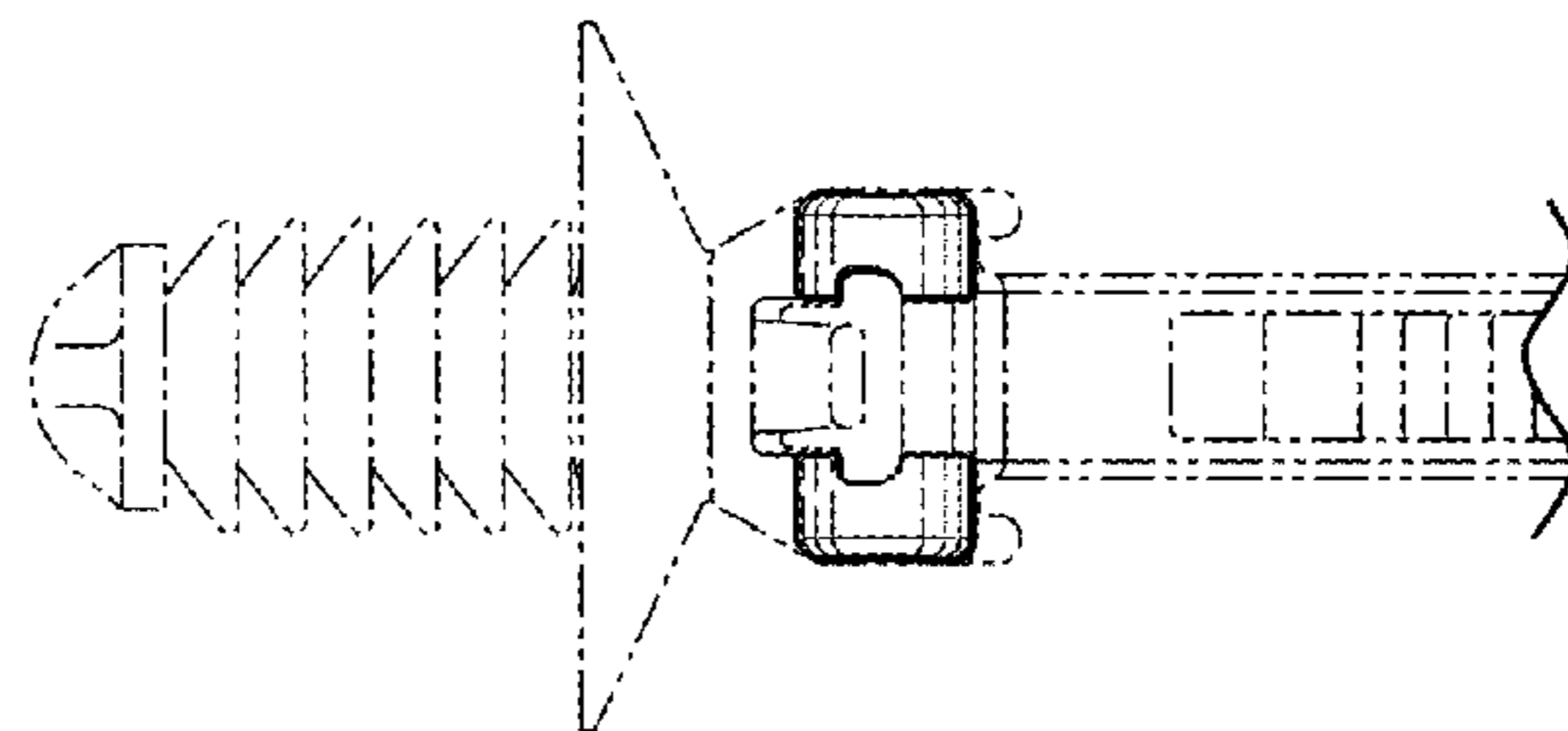
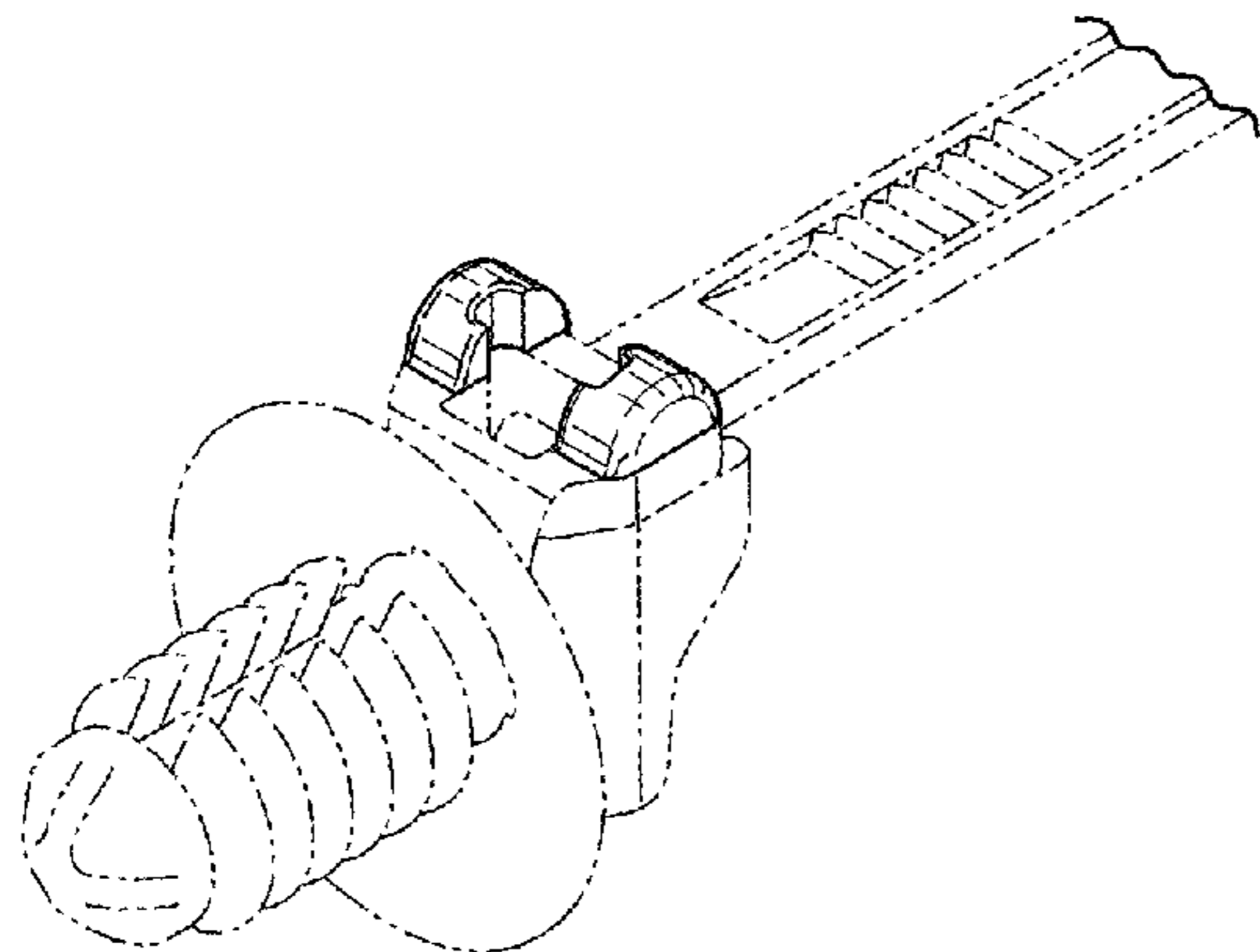
(57) **CLAIM**

I claim an ornamental design for a tie tail cut-off shield, as shown and described.

**DESCRIPTION**

FIG. 1 is a perspective view of the fifth embodiment of the tie tail cut-off shield;  
 FIG. 2 is a right side elevation view thereof;  
 FIG. 3 is a left side elevation view thereof;  
 FIG. 4 is a top plan view thereof;  
 FIG. 5 is a front elevation view thereof; and,  
 FIG. 6 is a back elevation view thereof; and the bottom of the tie tail cut-off shield is unornamented.  
 The broken lines are for the purpose of illustrating the environment of the article only and form no part of the claimed design. The shading illustrated in the drawings is provided merely to highlight the contour of the design and is not intended to be illustrative of any texture or gloss.

**1 Claim, 1 Drawing Sheet**



(56)

References Cited

U.S. PATENT DOCUMENTS

D712,295 S *	9/2014	Ennis .....	D11/3	2006/0265840 A1*	11/2006	Thompson .....	H02G 3/30 24/16 PB
8,978,210 B2 *	3/2015	Arjomand .....	B65D 63/14 24/16 PB	2007/0057124 A1*	3/2007	Kwilosz .....	F16L 3/137 248/74.1
8,978,211 B2 *	3/2015	Arjomand .....	B65D 63/1027 24/16 PB	2010/0306967 A1*	12/2010	Geiger .....	B65D 63/14 24/16 PB
9,067,717 B2 *	6/2015	DeMik .....	B65D 67/02	2012/0291231 A1*	11/2012	Ku .....	B65D 63/1072 24/16 R
D741,691 S *	10/2015	Adams .....	D8/356	2015/0033509 A1*	2/2015	Dietrich .....	B65D 63/1018 24/16 PB
D751,888 S *	3/2016	Sakamoto .....	D8/383	2015/0210453 A1*	7/2015	Liang .....	B65D 63/1072 24/16 PB
9,340,341 B2 *	5/2016	Farrell .....	B65D 63/14	2016/0009469 A1*	1/2016	Schneider De Oliveira .....	F16L 3/133 248/636
9,376,171 B1 *	6/2016	Bagwell .....	B63B 21/045	2017/0072754 A1*	3/2017	McCoy .....	B60D 1/28
D769,704 S *	10/2016	Nitta .....	D8/387	2018/0029519 A1*	2/2018	Hill .....	B60P 3/079
D818,350 S *	5/2018	Dencek .....	D8/356	2018/0154818 A1*	6/2018	Sauerwald .....	B60P 7/0807
D820,667 S *	6/2018	Sugiyama .....	D8/356	2019/0092608 A1*	3/2019	Cui .....	B60D 1/185
D840,795 S *	2/2019	Tribbett .....	B65D 63/08 D8/383	2019/0092609 A1*	3/2019	Cui .....	B60D 1/185
2001/0013277 A1*	8/2001	Galkiewicz .....	A44B 18/0053 100/2				

\* cited by examiner

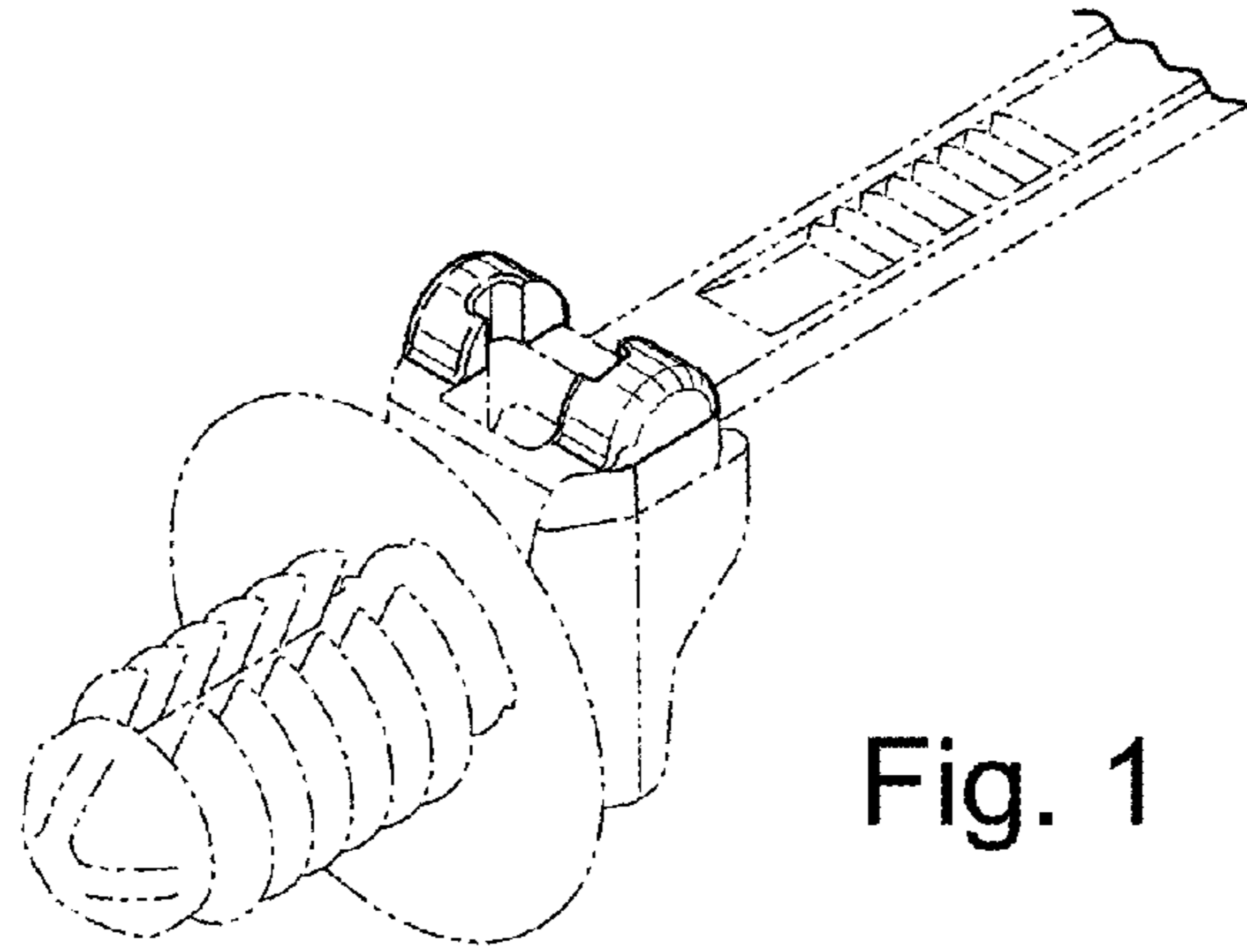


Fig. 1

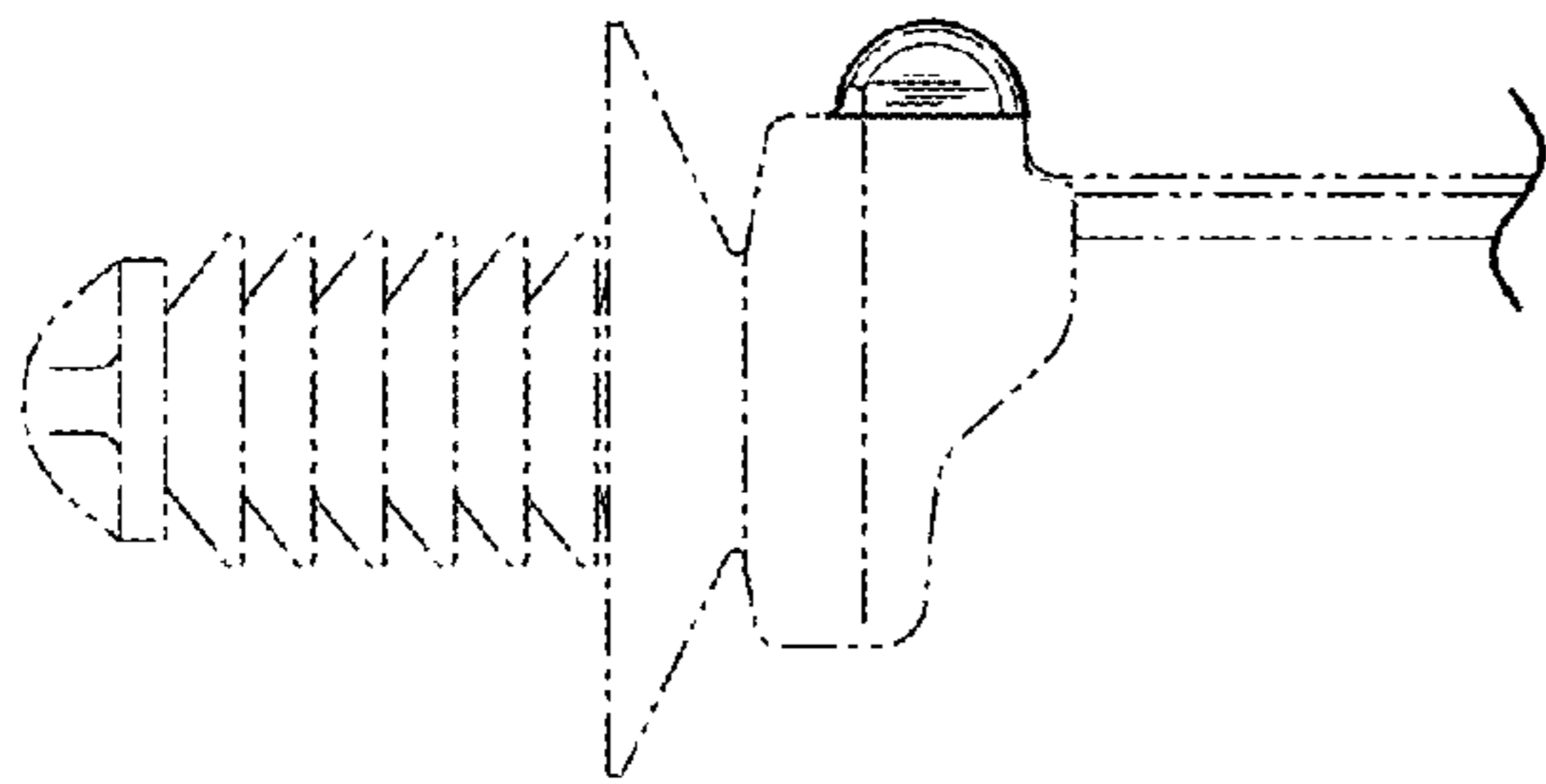


Fig. 2

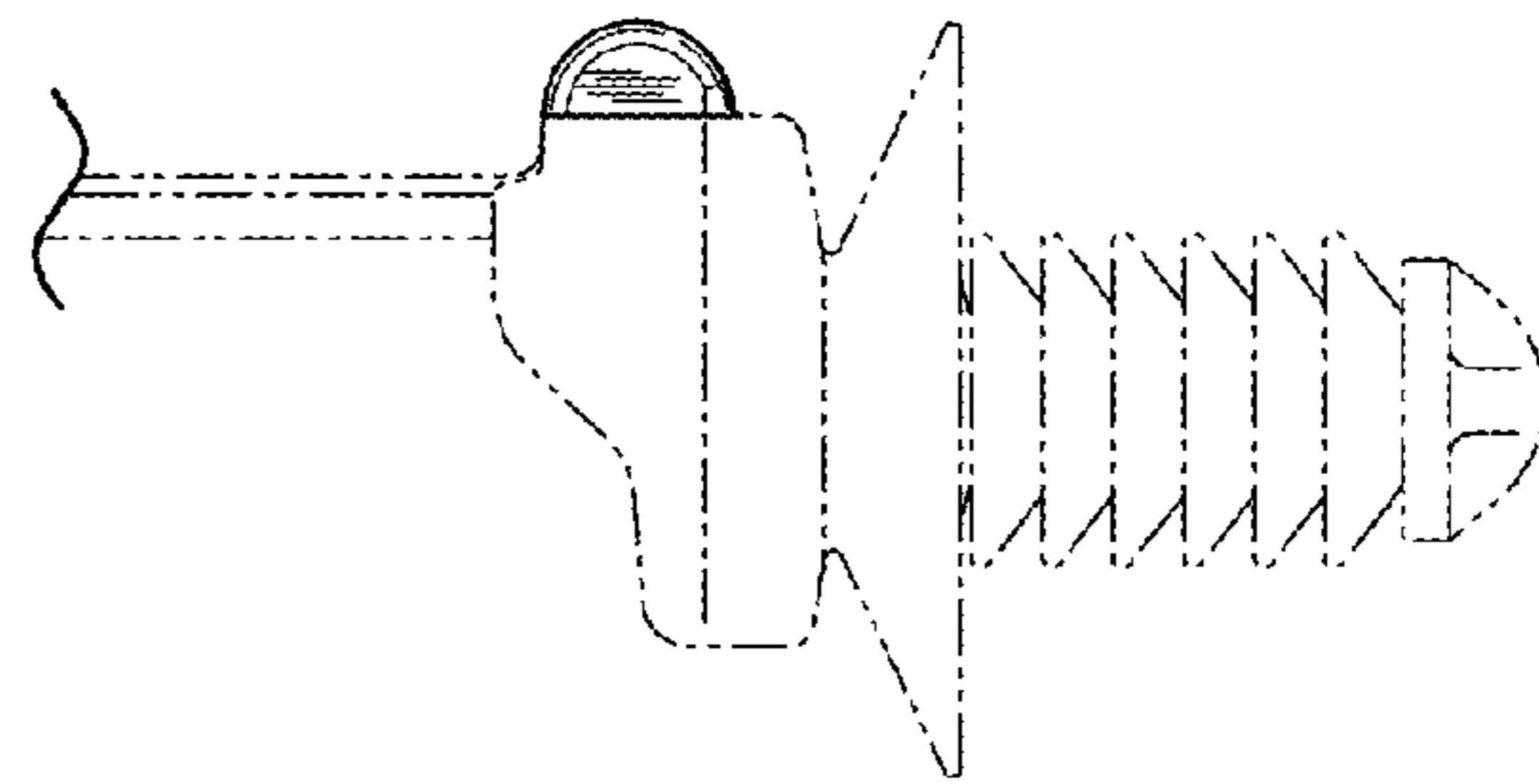


Fig. 3

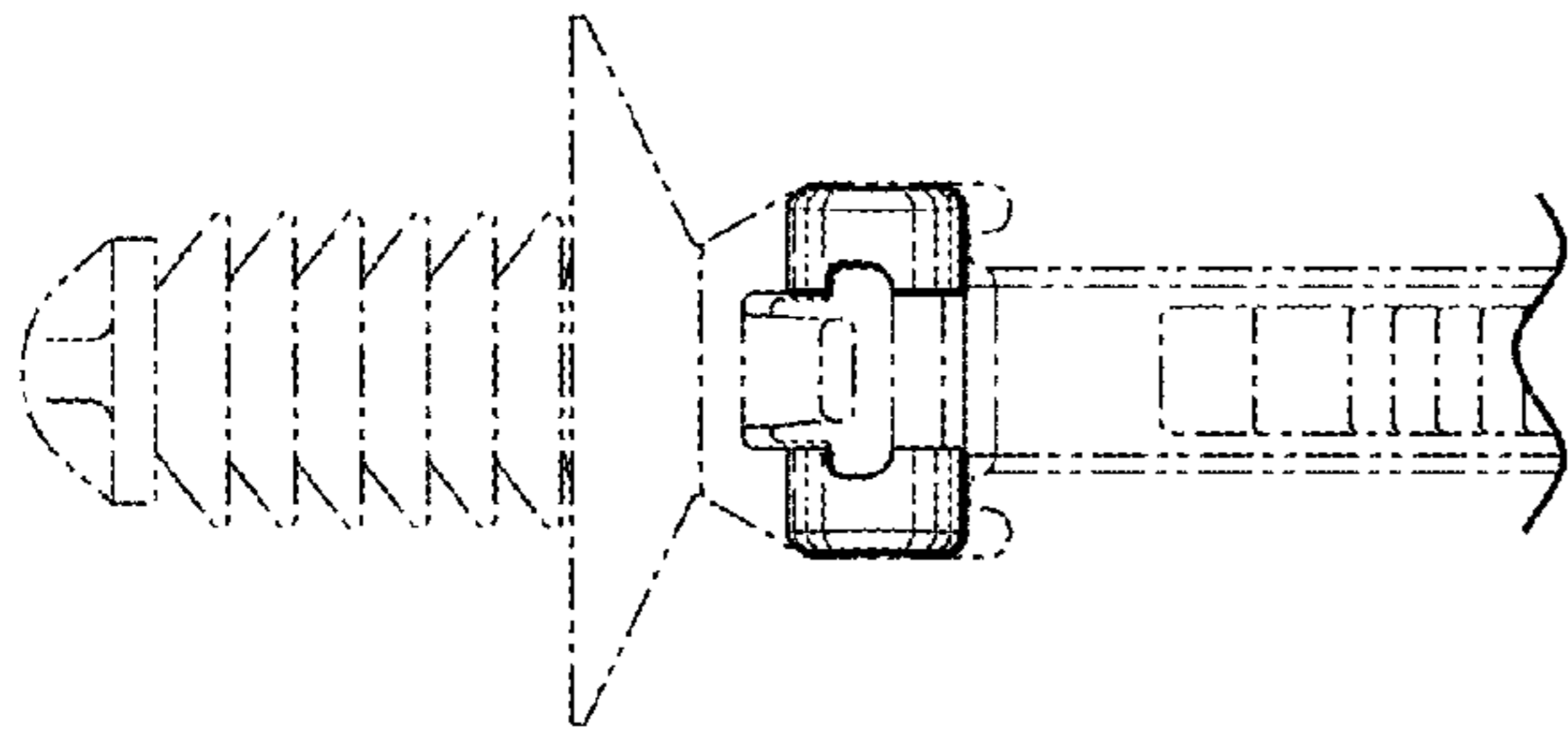


Fig. 4

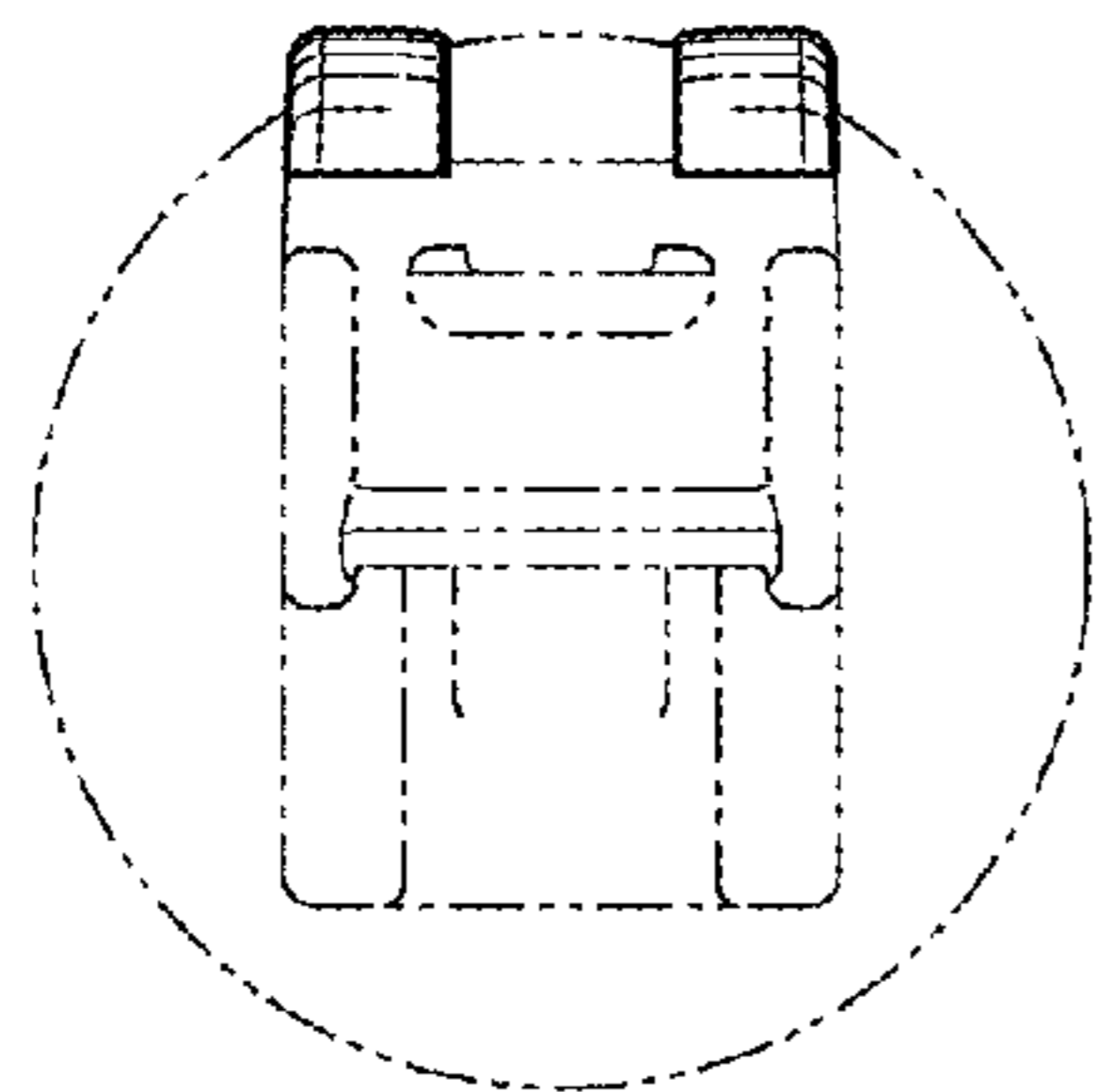


Fig. 5

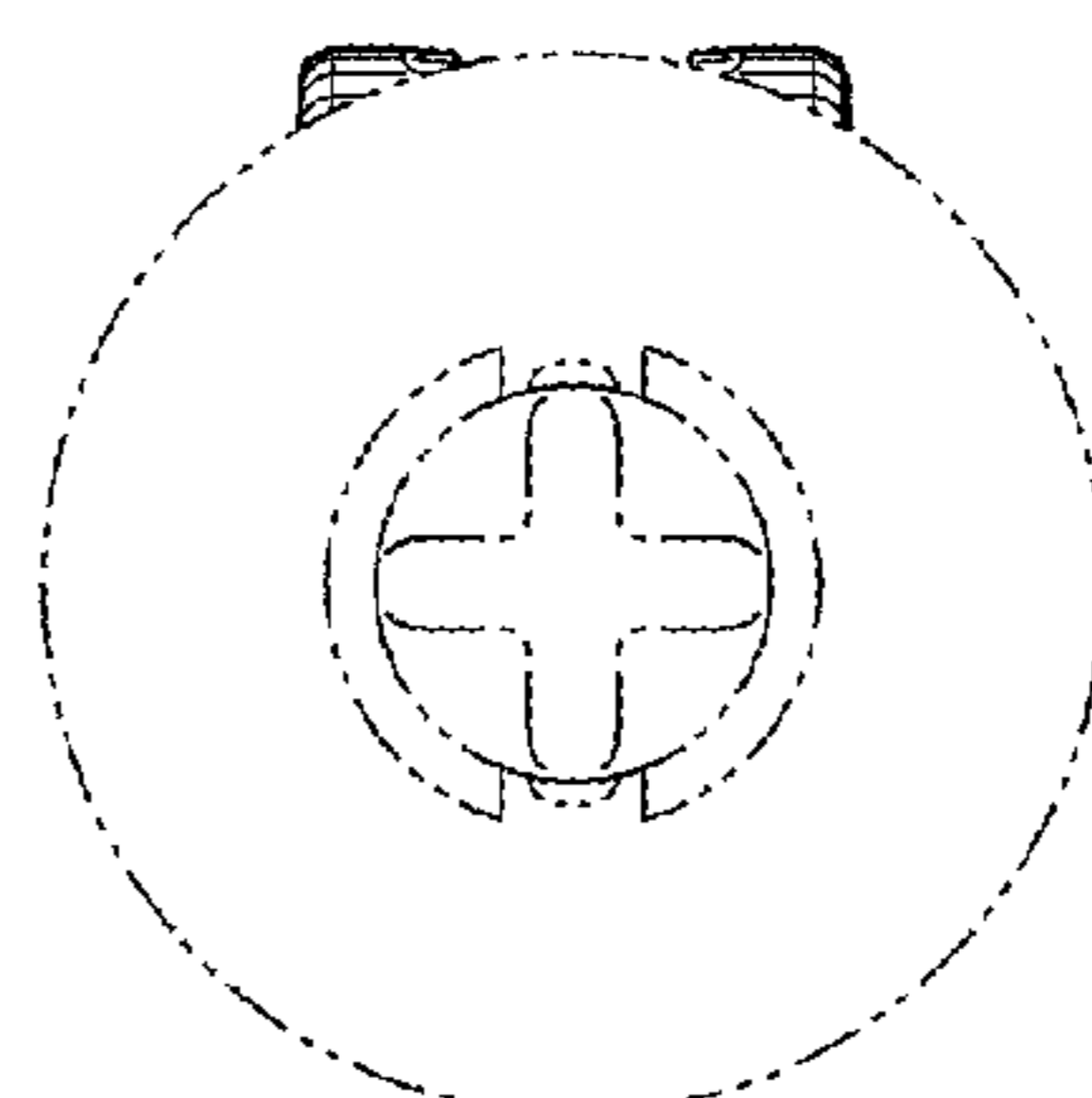


Fig. 6