



US00D863044S

(12) **United States Design Patent**
Dyer

(10) **Patent No.:** **US D863,044 S**
(45) **Date of Patent:** **** Oct. 15, 2019**

- (54) **TIE TAIL CUT-OFF SHIELD**
- (71) Applicant: **HellermannTyton Corporation**,
Milwaukee, WI (US)
- (72) Inventor: **Edward P. Dyer**, Germantown, WI
(US)
- (73) Assignee: **HELLERMANN TYTON**
CORPORATION, Milwaukee, WI
(US)
- (**) Term: **15 Years**
- (21) Appl. No.: **29/675,556**
- (22) Filed: **Jan. 3, 2019**

- 5,956,813 A * 9/1999 Cooper B65D 63/1063
24/16 PB
- 6,497,258 B1 * 12/2002 Flannery B65D 63/1063
140/123.6
- 7,131,168 B2 * 11/2006 Pangallo B65D 63/1063
24/16 PB
- D537,333 S * 2/2007 Jowsey D8/396
- 7,775,484 B2 * 8/2010 Gunzburger B60R 16/0215
248/74.3
- 7,789,414 B2 * 9/2010 Blackburn B60R 21/213
24/16 PB
- D631,731 S * 2/2011 Chen D8/356
- D634,187 S * 3/2011 Kozel D8/396

(Continued)

Primary Examiner — Cynthia R Underwood
(74) *Attorney, Agent, or Firm* — Robert J. Myers

(57) **CLAIM**

I claim an ornamental design for a tie tail cut-off shield, as shown and described.

DESCRIPTION

FIG. 1 is a perspective view of an embodiment of the tie tail cut-off shield;
 FIG. 2 is a right side elevation view thereof;
 FIG. 3 is a left side elevation view thereof;
 FIG. 4 is a top plan view thereof;
 FIG. 5 is a front elevation view thereof; and,
 FIG. 6 is a back elevation view thereof; and the bottom of the tie tail cut-off shield is unornamented.
 The tie tail cut-off shield is part of a cable tie that may be used to bundle a plurality of items, such as electrical wires in a wiring harness. The tie tail cut-off shield inhibits contact with a cut off end of a cable tie tail.
 The broken lines are for the purpose of illustrating the environment of the article only and form no part of the claimed design. The shading illustrated in the drawings is provided merely to highlight the contour of the design and is not intended to be illustrative of any texture or gloss.

1 Claim, 1 Drawing Sheet

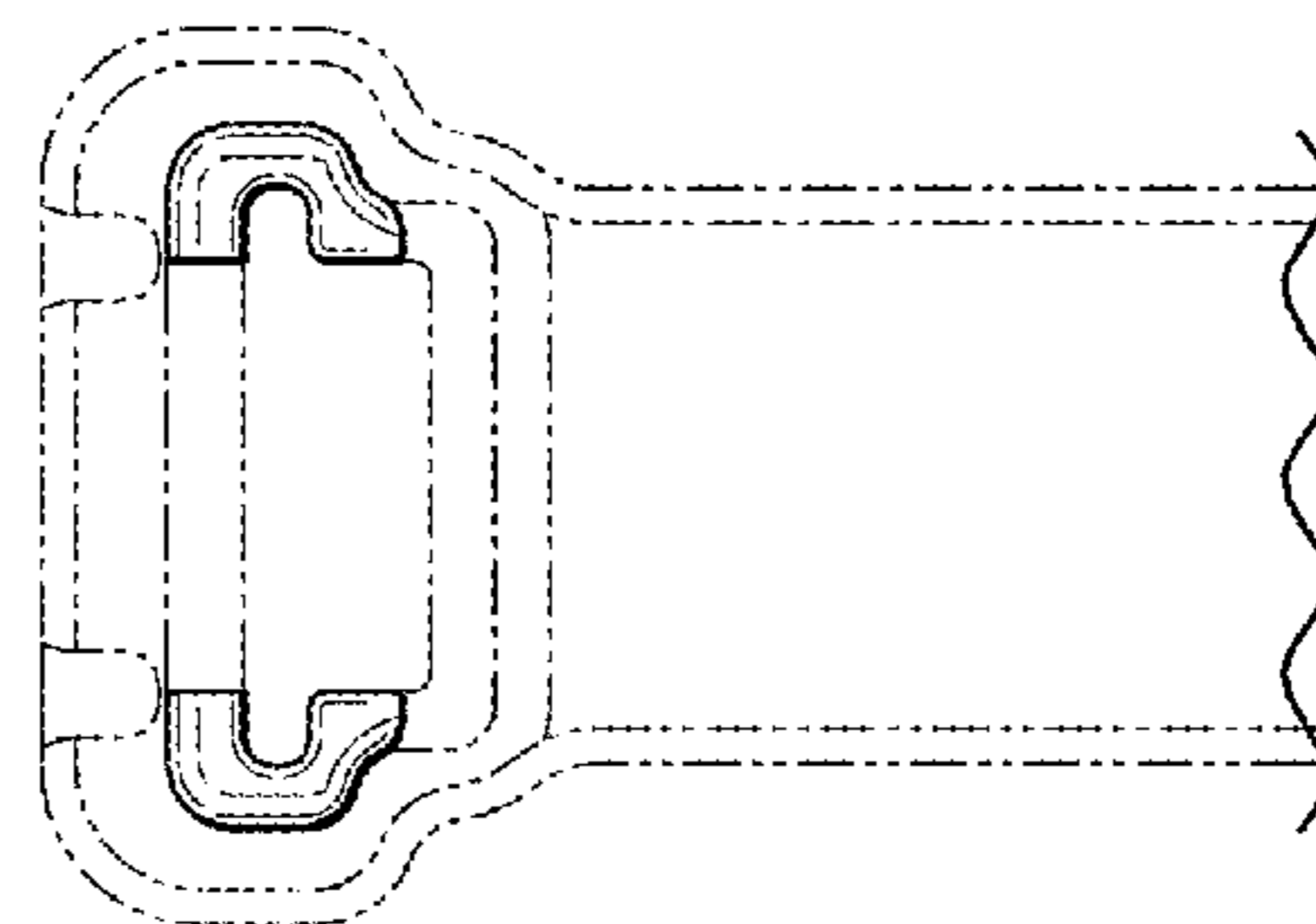
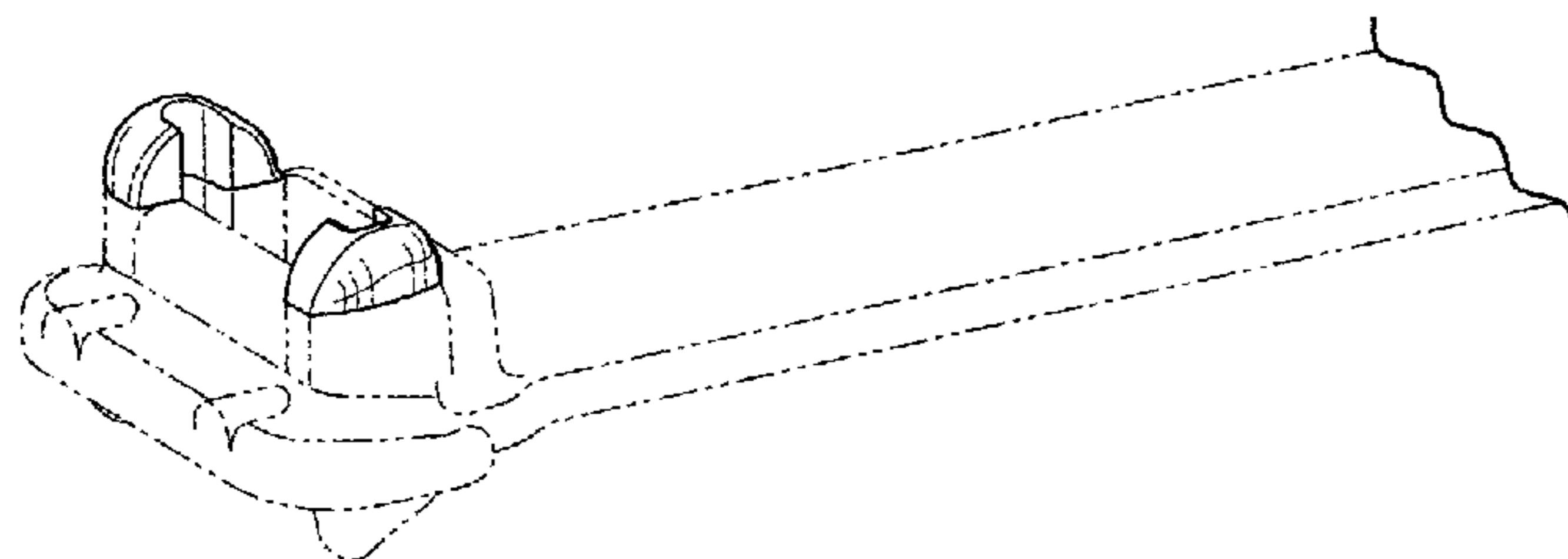
Related U.S. Application Data

- (62) Division of application No. 29/611,670, filed on Jul. 24, 2017, now Pat. No. Des. 844,416.
- (51) **LOC (12) Cl.** **09-06**
- (52) **U.S. Cl.**
USPC **D8/356**
- (58) **Field of Classification Search**
USPC D8/356, 354, 349, 360; 381/384
CPC E02D 5/803; B63B 21/045; B63B 59/02;
B60D 1/18; B60P 7/0823; A44B 13/0029;
B65H 75/362; B66D 3/046
See application file for complete search history.

References Cited

U.S. PATENT DOCUMENTS

- 4,754,529 A * 7/1988 Paradis B29C 45/0055
24/16 PB
- 5,884,367 A * 3/1999 Teagno F16L 3/2332
24/16 PB
- 5,911,368 A * 6/1999 Davignon B65D 63/1081
24/16 PB



(56)

References Cited

U.S. PATENT DOCUMENTS

8,413,306 B2 *	4/2013	Gallant	B29C 43/222	2001/0013277 A1 *	8/2001	Galkiewicz	A44B 18/0053
			24/306				100/2
D698,632 S *	2/2014	Wang	D8/383	2006/0265840 A1 *	11/2006	Thompson	H02G 3/30
8,739,387 B1 *	6/2014	Frishberg	F16L 3/2332				24/16 PB
			140/93 A	2007/0057124 A1 *	3/2007	Kwilosz	F16L 3/137
D712,295 S *	9/2014	Ennis	D11/3				248/74.1
8,978,210 B2 *	3/2015	Arjomand	B65D 63/14	2010/0306967 A1 *	12/2010	Geiger	B65D 63/14
			24/16 PB				24/16 PB
8,978,211 B2 *	3/2015	Arjomand	B65D 63/1027	2012/0291231 A1 *	11/2012	Ku	B65D 63/1072
			24/16 PB				24/16 R
9,067,717 B2 *	6/2015	DeMik	B65D 67/02	2015/0033509 A1 *	2/2015	Dietrich	B65D 63/1018
D741,691 S *	10/2015	Adams	D8/356				24/16 PB
D751,888 S *	3/2016	Sakamoto	D8/383	2015/0210453 A1 *	7/2015	Liang	B65D 63/1072
9,340,341 B2 *	5/2016	Farrell	B65D 63/14				24/16 PB
9,376,171 B1 *	6/2016	Bagwell	B63B 21/045	2016/0009469 A1 *	1/2016	Schneider De Oliveira	F16L 3/133
D769,704 S *	10/2016	Nitta	D8/387				248/636
D818,350 S *	5/2018	Dencek	D8/356	2017/0072754 A1 *	3/2017	McCoy	B60D 1/28
D820,667 S *	6/2018	Sugiyama	D8/356	2018/0029519 A1 *	2/2018	Hill	B60P 3/079
D840,795 S *	2/2019	Tribbett	B65D 63/08	2018/0154818 A1 *	6/2018	Sauerwald	B60P 7/0807
			D8/383	2019/0092608 A1 *	3/2019	Cui	B60D 1/185
				2019/0092609 A1 *	3/2019	Cui	B60D 1/185

* cited by examiner

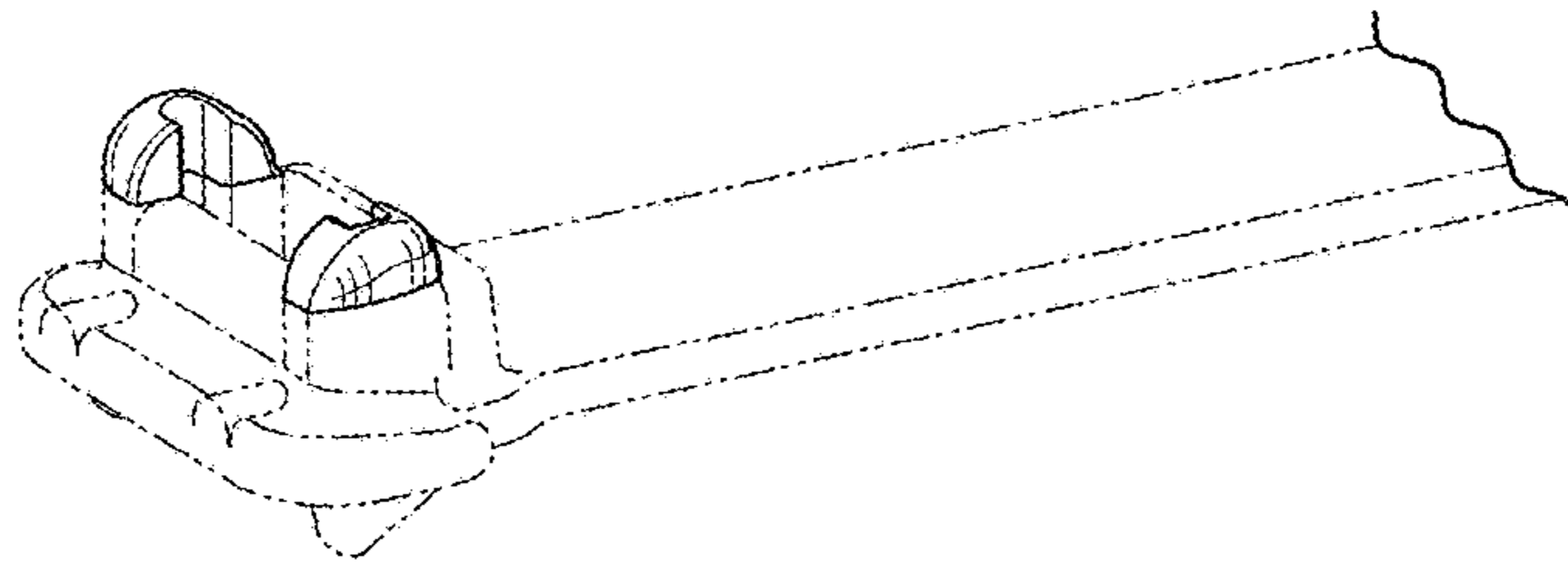


Fig. 1

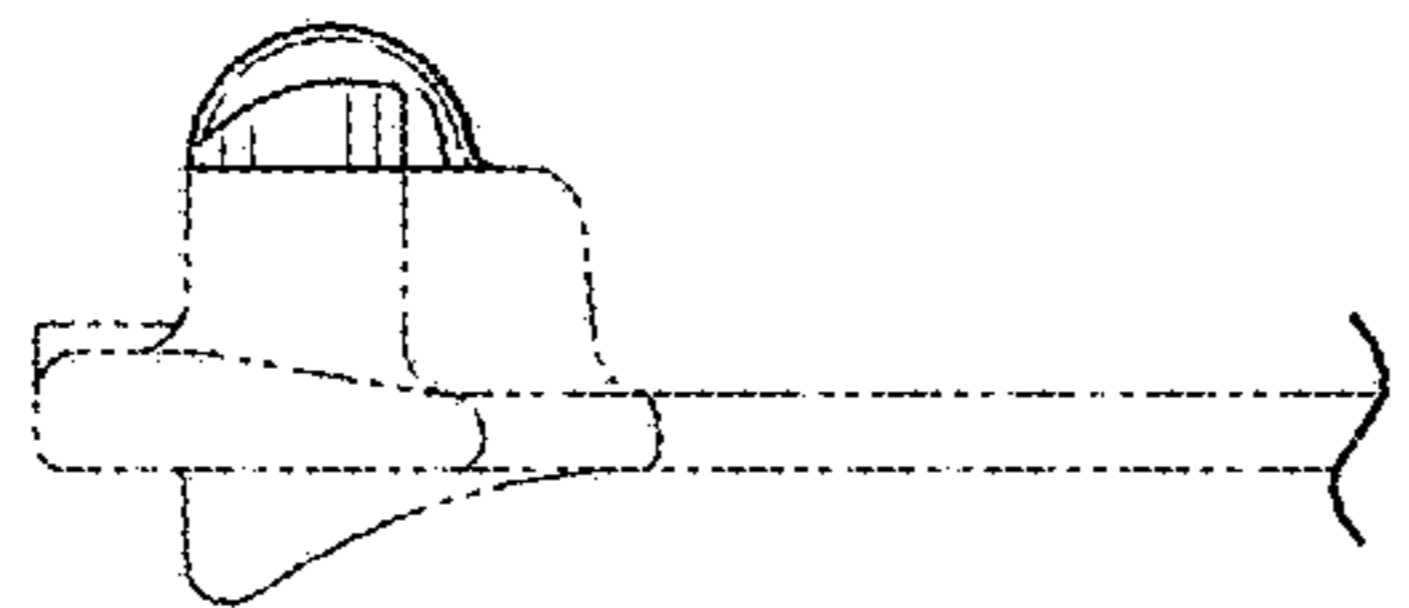


Fig. 2

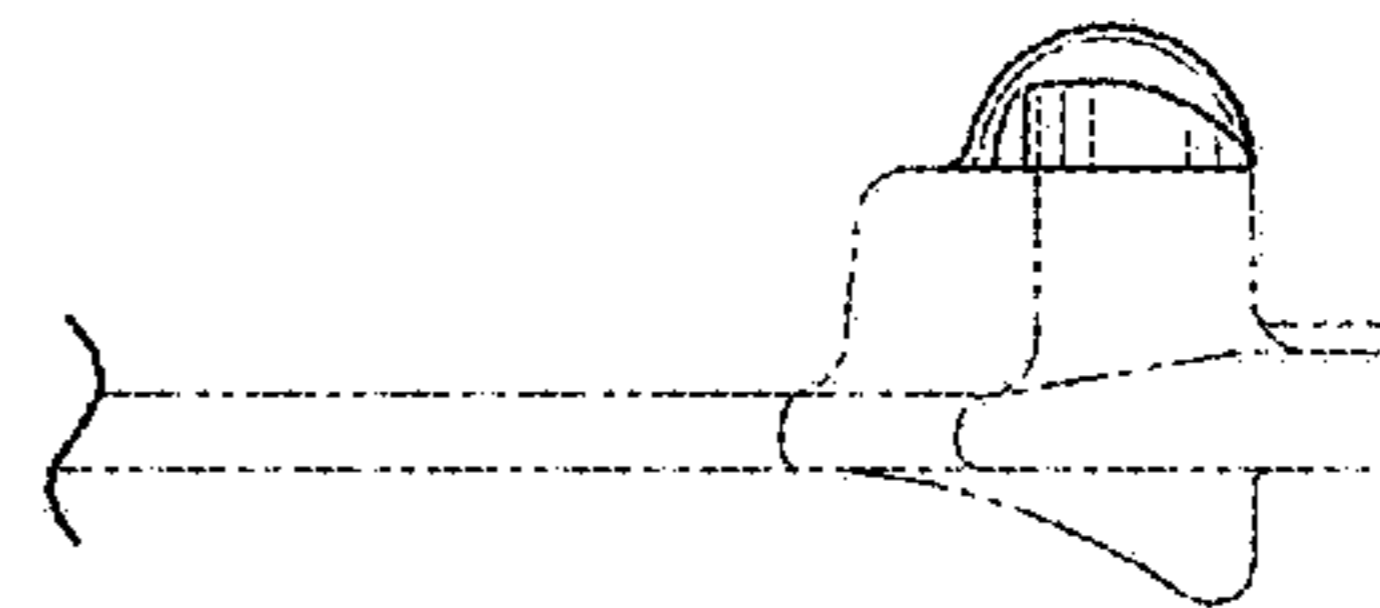


Fig. 3

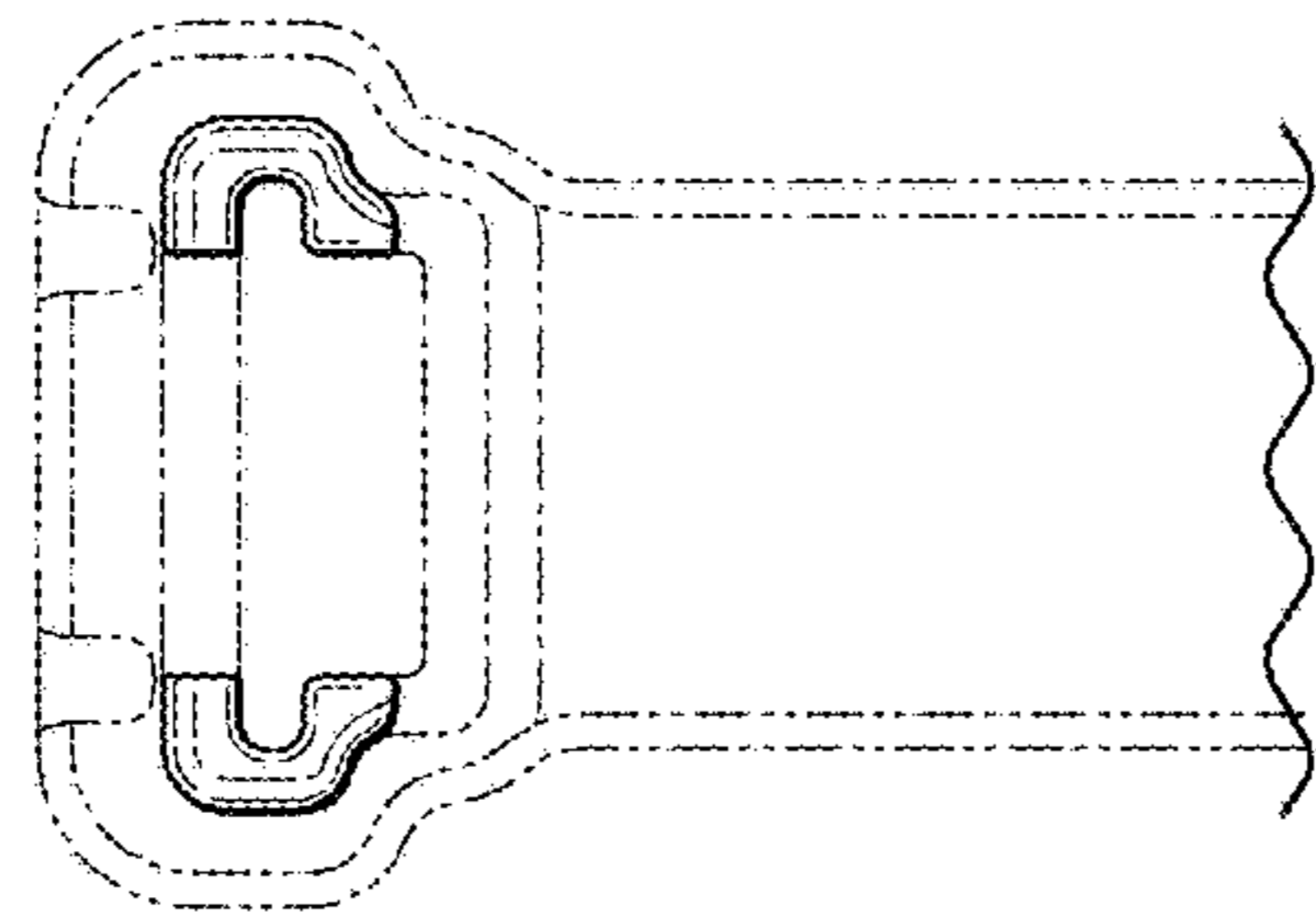


Fig. 4

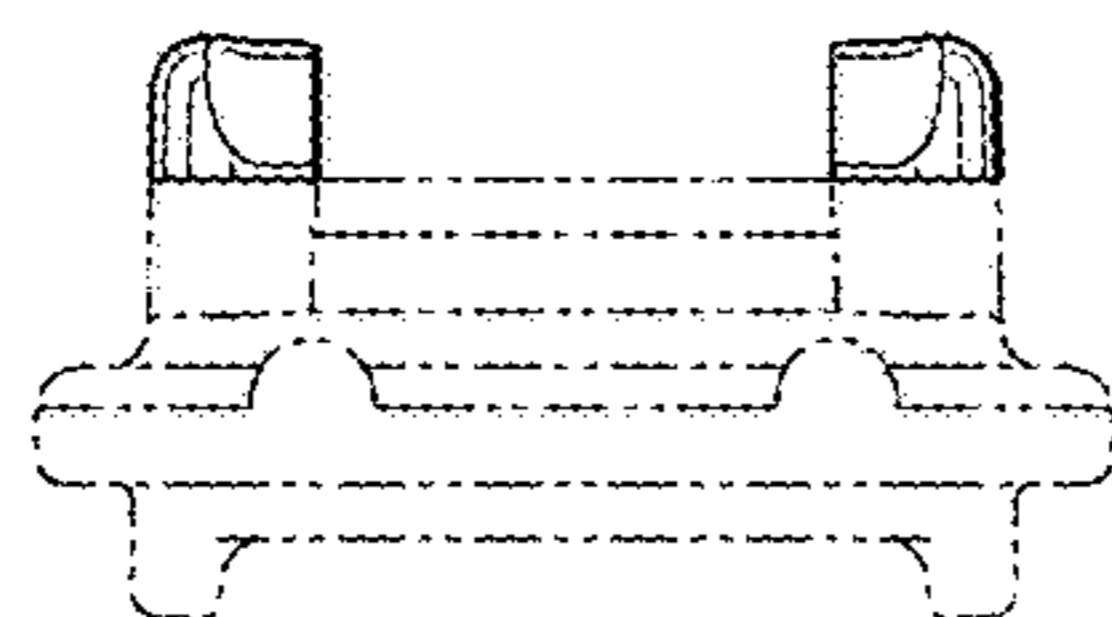


Fig. 5

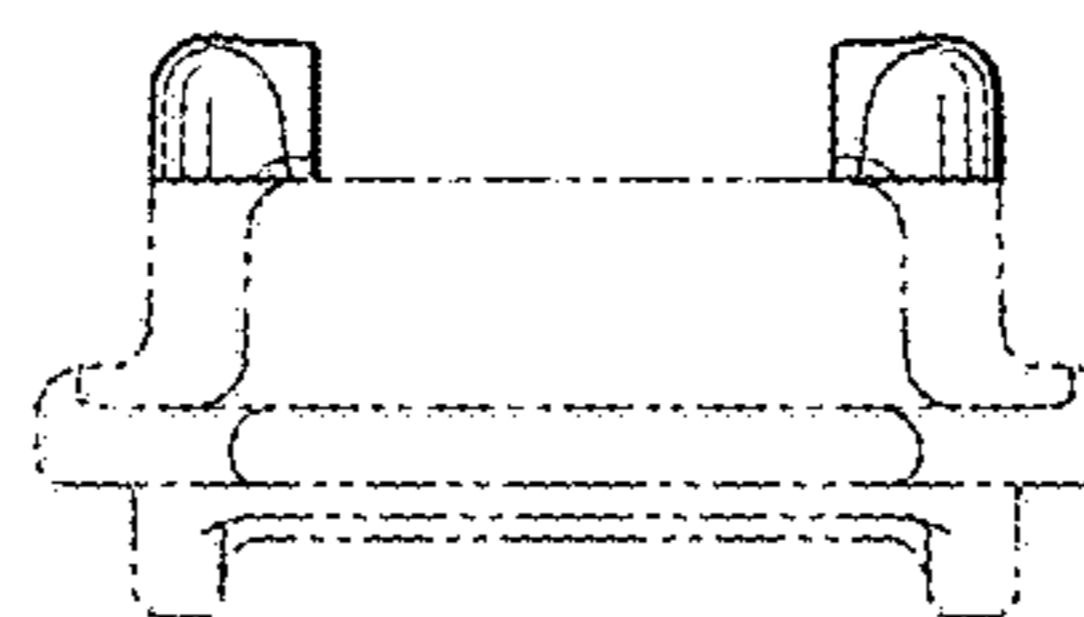


Fig. 6