



US00D863043S

(12) **United States Design Patent** (10) **Patent No.:** **US D863,043 S**
Schweiss (45) **Date of Patent:** **** Oct. 15, 2019**

(54) **STRAP ATTACHMENT**
(71) Applicant: **Michael L. Schweiss**, Fairfax, MN (US)
(72) Inventor: **Michael L. Schweiss**, Fairfax, MN (US)
(73) Assignee: **SORREL QUARTERS, LLC**, Hector, MN (US)
(**) Term: **15 Years**
(21) Appl. No.: **29/651,345**
(22) Filed: **May 22, 2018**
(51) **LOC (12) Cl.** **09-06**
(52) **U.S. Cl.**
USPC **D8/356**
(58) **Field of Classification Search**
USPC D8/356, 354, 349; D30/139; D11/218
CPC F15B 21/048; F16L 17/06
See application file for complete search history.

D520,337 S * 5/2006 Alvarado D8/323
D548,044 S * 8/2007 Tang D8/323
D611,544 S * 3/2010 Liptan D19/88
D616,286 S * 5/2010 Foresman D8/354
D703,098 S * 4/2014 Quan D11/218
D709,546 S * 7/2014 Goff D16/245
D725,988 S * 4/2015 Smalley D8/323
9,315,139 B2 * 4/2016 Hyslop B60P 3/1066
D758,828 S * 6/2016 Corpuz, Jr. D8/323
D763,665 S * 8/2016 Hallare D8/356
D768,461 S * 10/2016 Mirick D8/323
D784,113 S * 4/2017 Rago D8/354
D784,114 S * 4/2017 Rago D8/354
D793,209 S * 8/2017 Galpchian D8/349
D808,244 S * 1/2018 Fraijo D8/327
D809,894 S * 2/2018 Schweiss D8/323
D811,195 S * 2/2018 Wang D8/323
D817,146 S * 5/2018 Weldon D8/323
D826,700 S * 8/2018 Feng D8/356

(Continued)

Primary Examiner — Cynthia R Underwood
(74) *Attorney, Agent, or Firm* — Richard John Bartz

(57) **CLAIM**

The ornamental design of a strap attachment, as shown and described.

DESCRIPTION

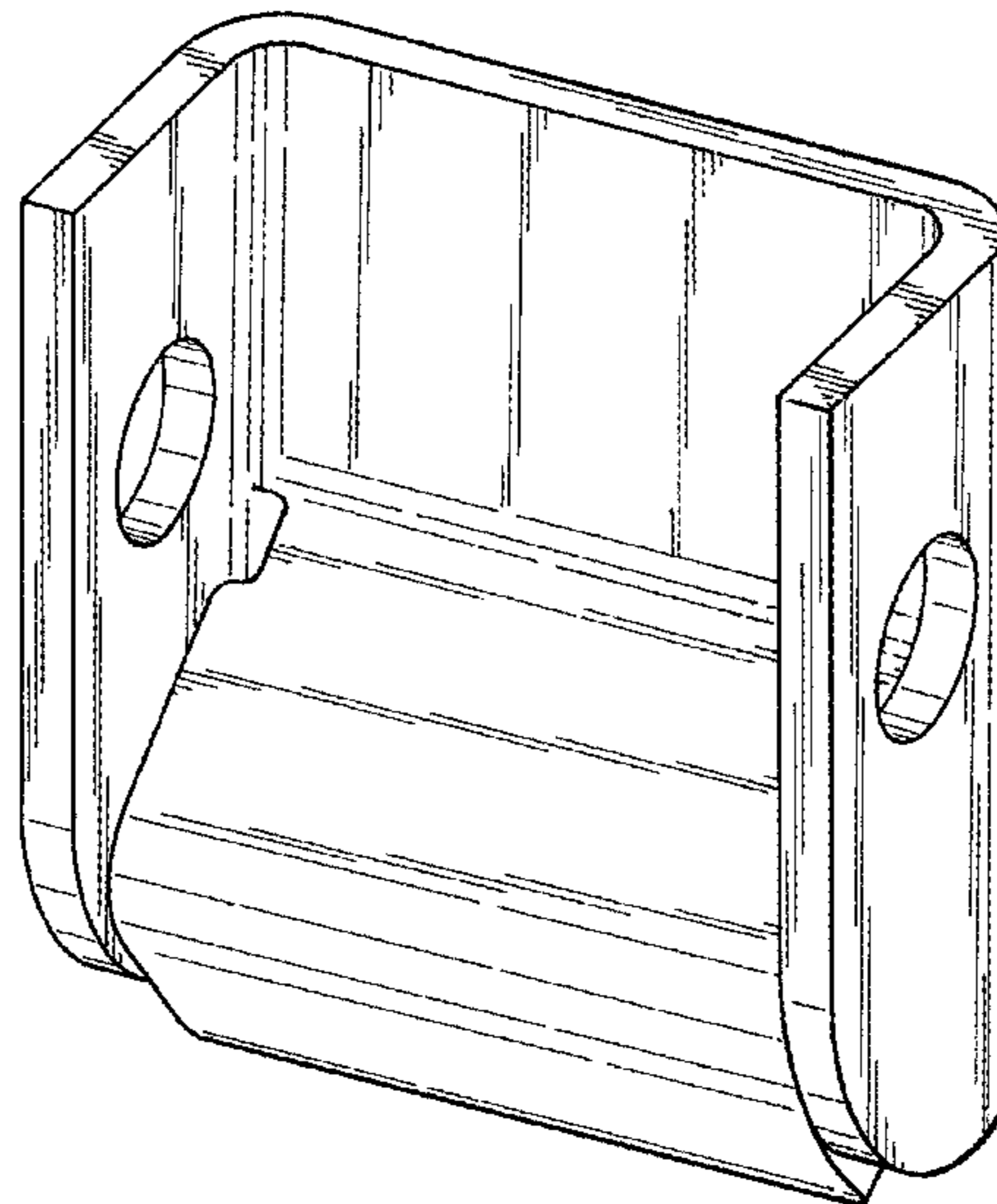
FIG. 1 is a perspective view of a strap attachment of my new design;
FIG. 2 is a top plan view thereof;
FIG. 3 is a bottom plan view thereof;
FIG. 4 is a front elevational view thereof;
FIG. 5 is a right side elevational view thereof;
FIG. 6 is a left side elevational view thereof;
FIG. 7 is a sectional view taken along the line 7-7 of FIG. 2;
FIG. 8 is a sectional view taken along the line 8-8 of FIG. 2; and
FIG. 9 is a rear elevational view thereof.

1 Claim, 4 Drawing Sheets

(56) **References Cited**

U.S. PATENT DOCUMENTS

1,009,108 A * 11/1911 Soss E05D 3/12
16/366
2,566,872 A * 9/1951 Bernhardt E05D 5/128
16/250
3,972,090 A * 8/1976 Holmes E05D 11/1014
16/321
4,881,298 A * 11/1989 Tumbull E05D 5/062
16/266
D344,966 S * 3/1994 Friedman D16/136
D370,284 S * 5/1996 Farchione D12/114
D373,902 S * 9/1996 Wang D3/318
D374,391 S * 10/1996 Mele D8/323
6,199,617 B1 3/2001 Schweiss
D499,976 S * 12/2004 Neufeglise D10/114.4
6,866,080 B2 3/2005 Schweiss



(56)

References Cited

U.S. PATENT DOCUMENTS

D837,028 S * 1/2019 Schweiss D8/323
2008/0265543 A1 * 10/2008 Davis B60P 3/1066
280/414.1
2017/0074019 A1 3/2017 Schweiss

* cited by examiner

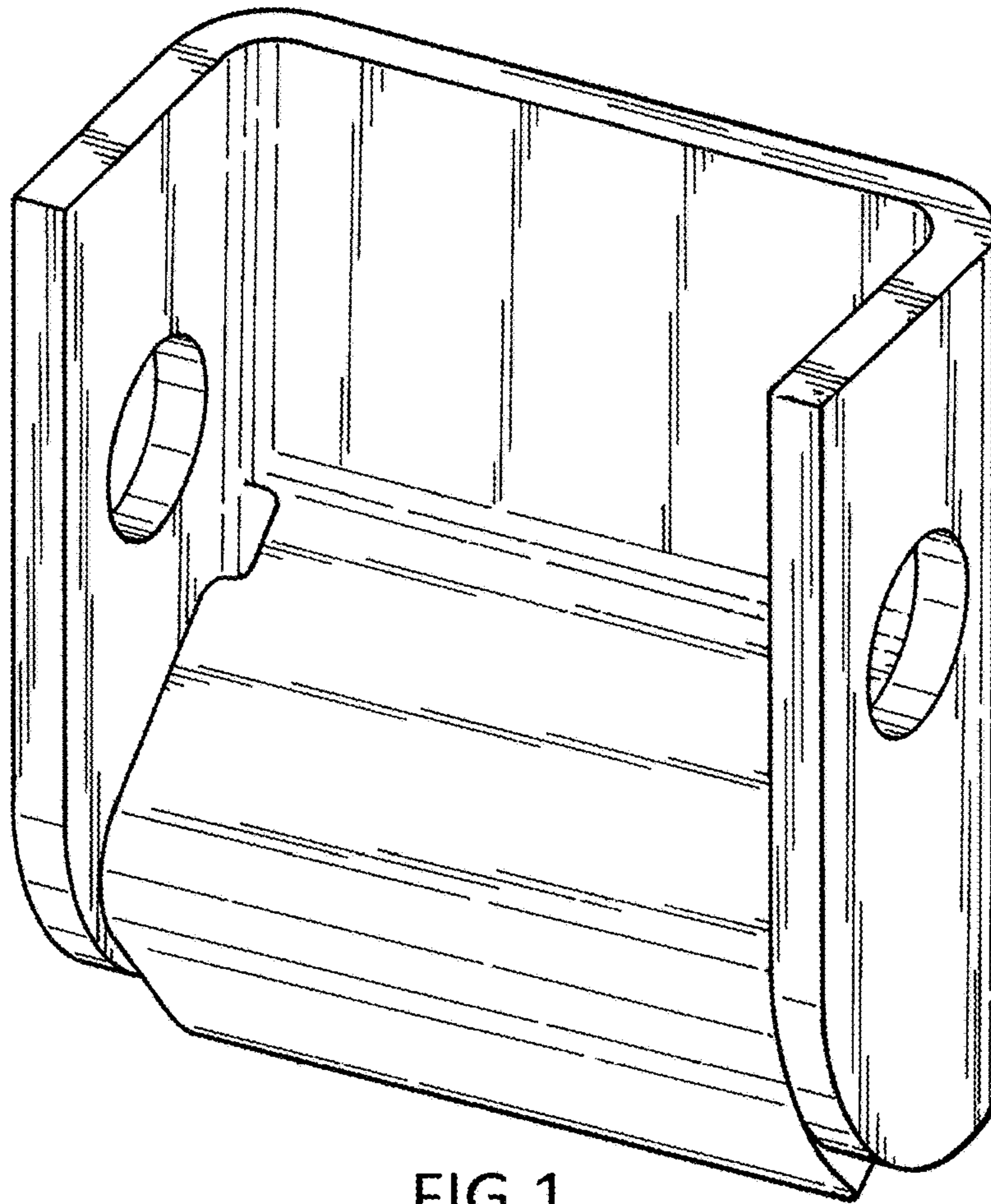


FIG. 1

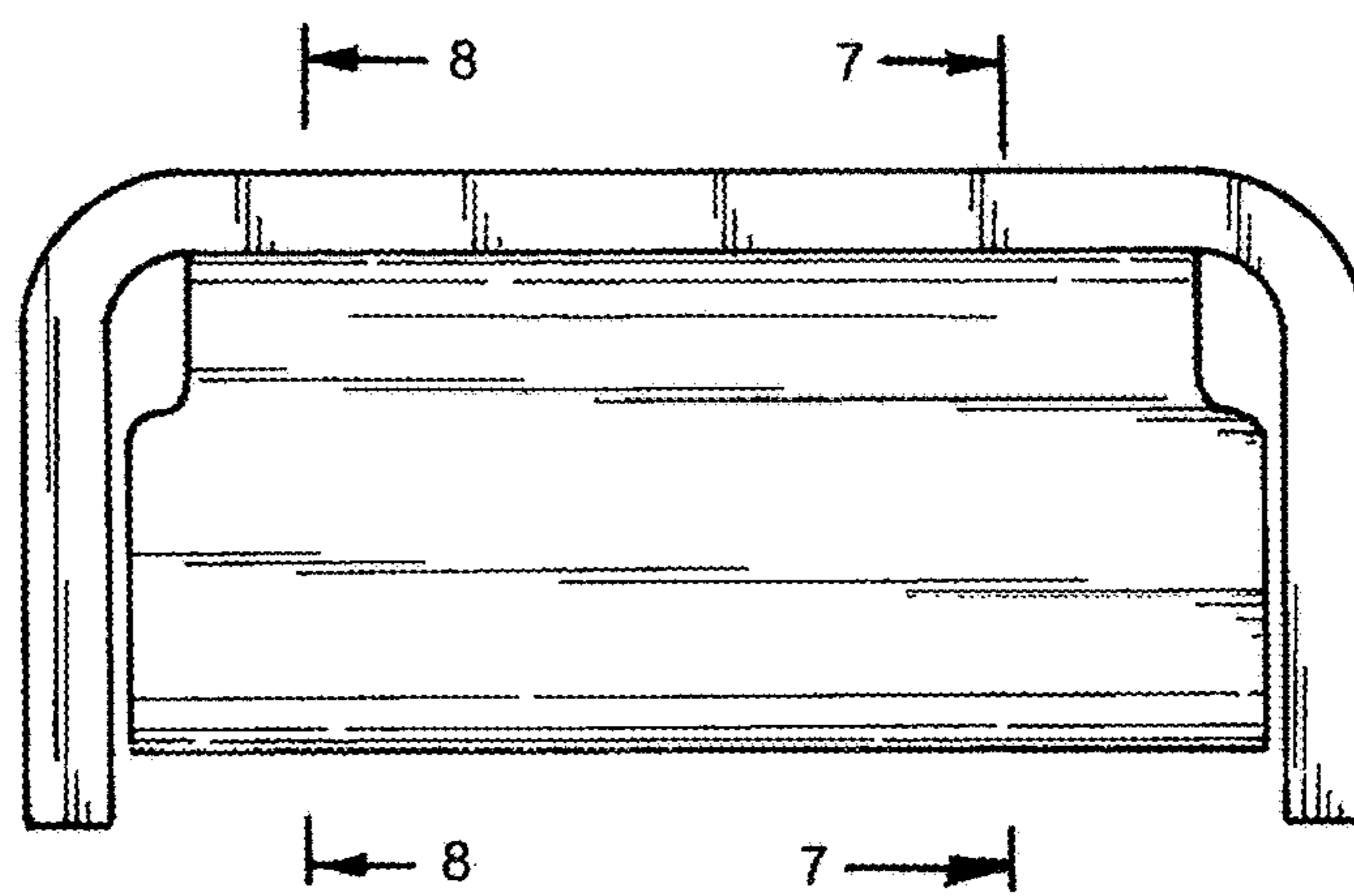


FIG. 2

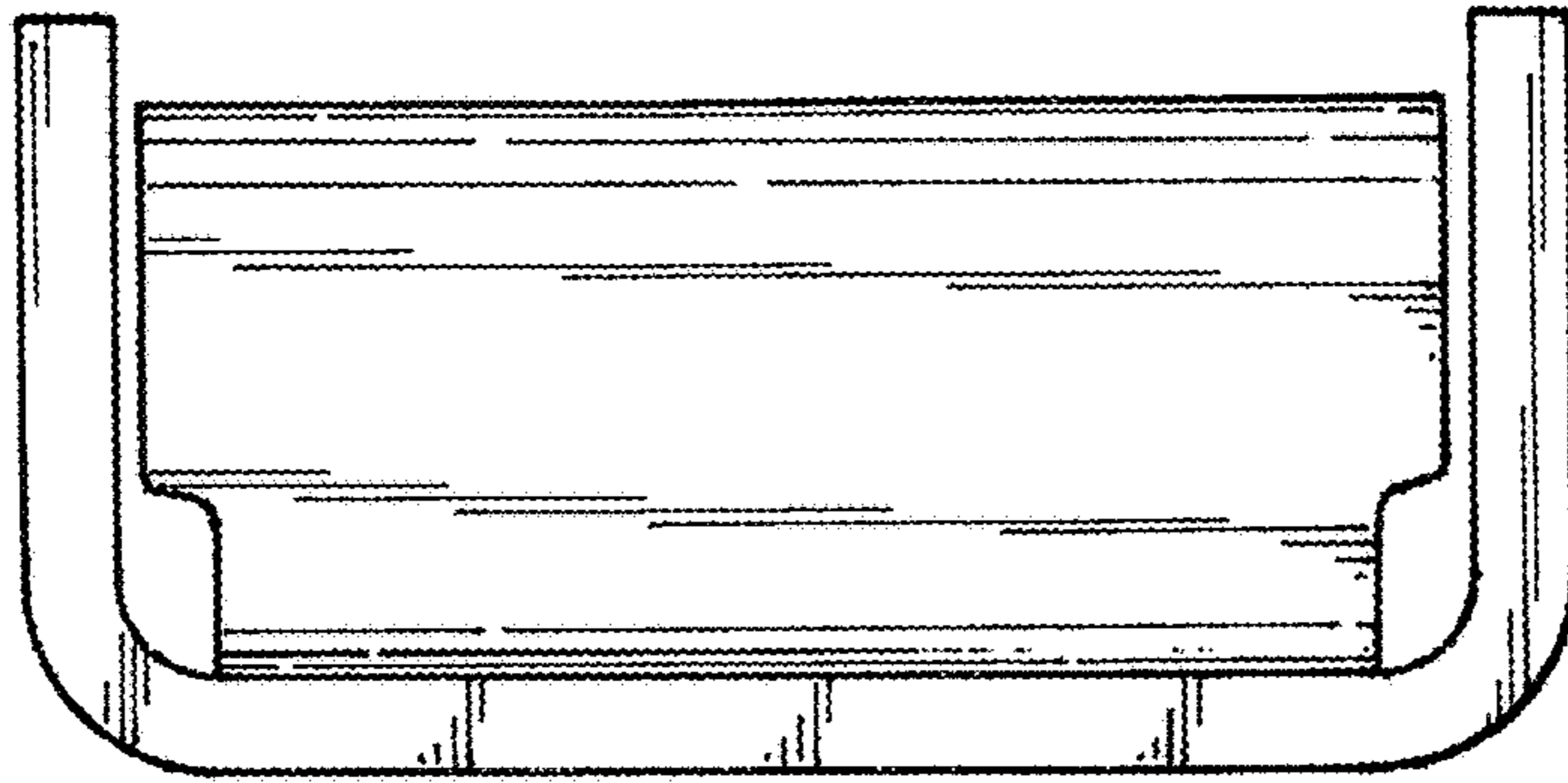


FIG. 3

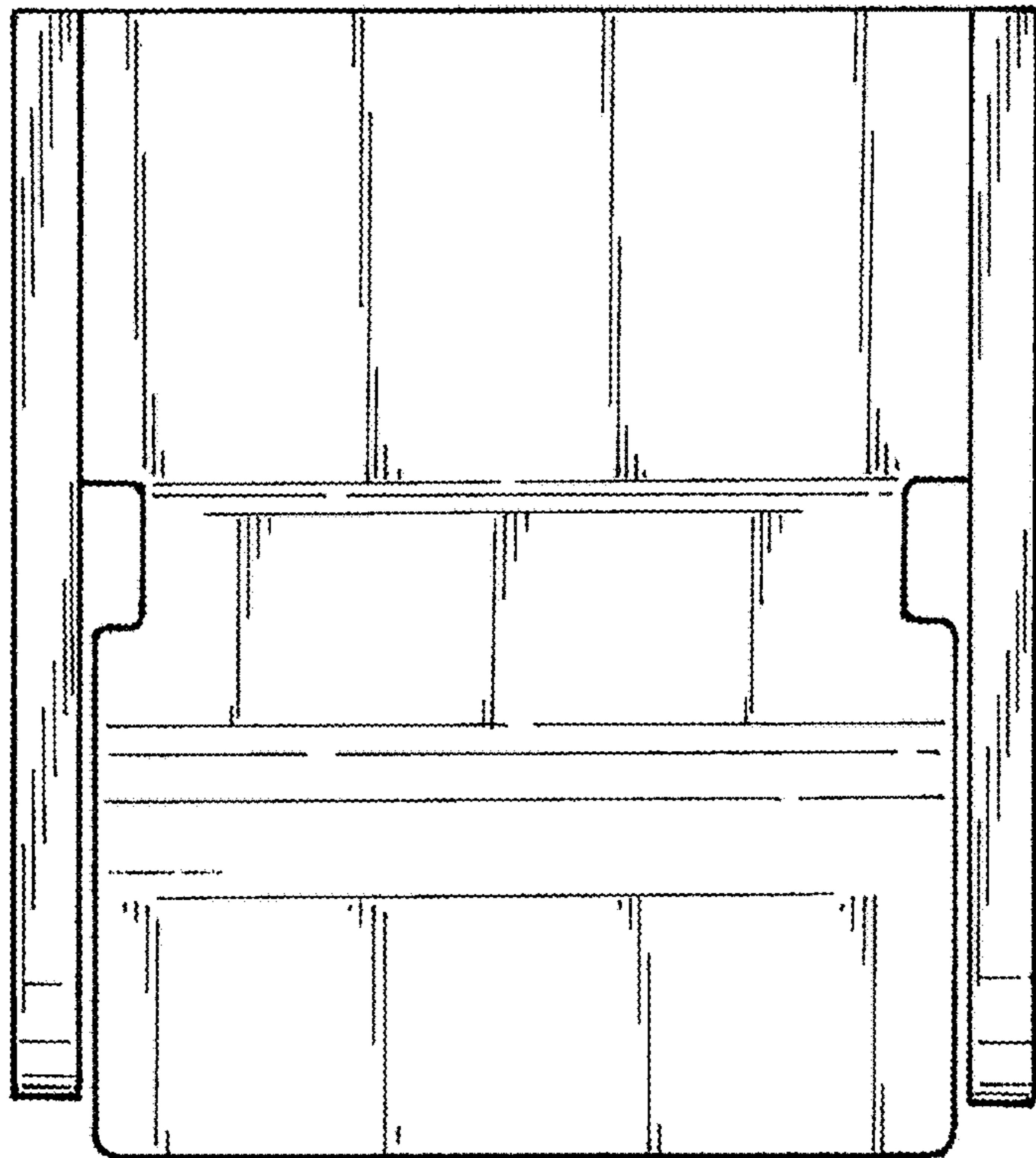


FIG. 4

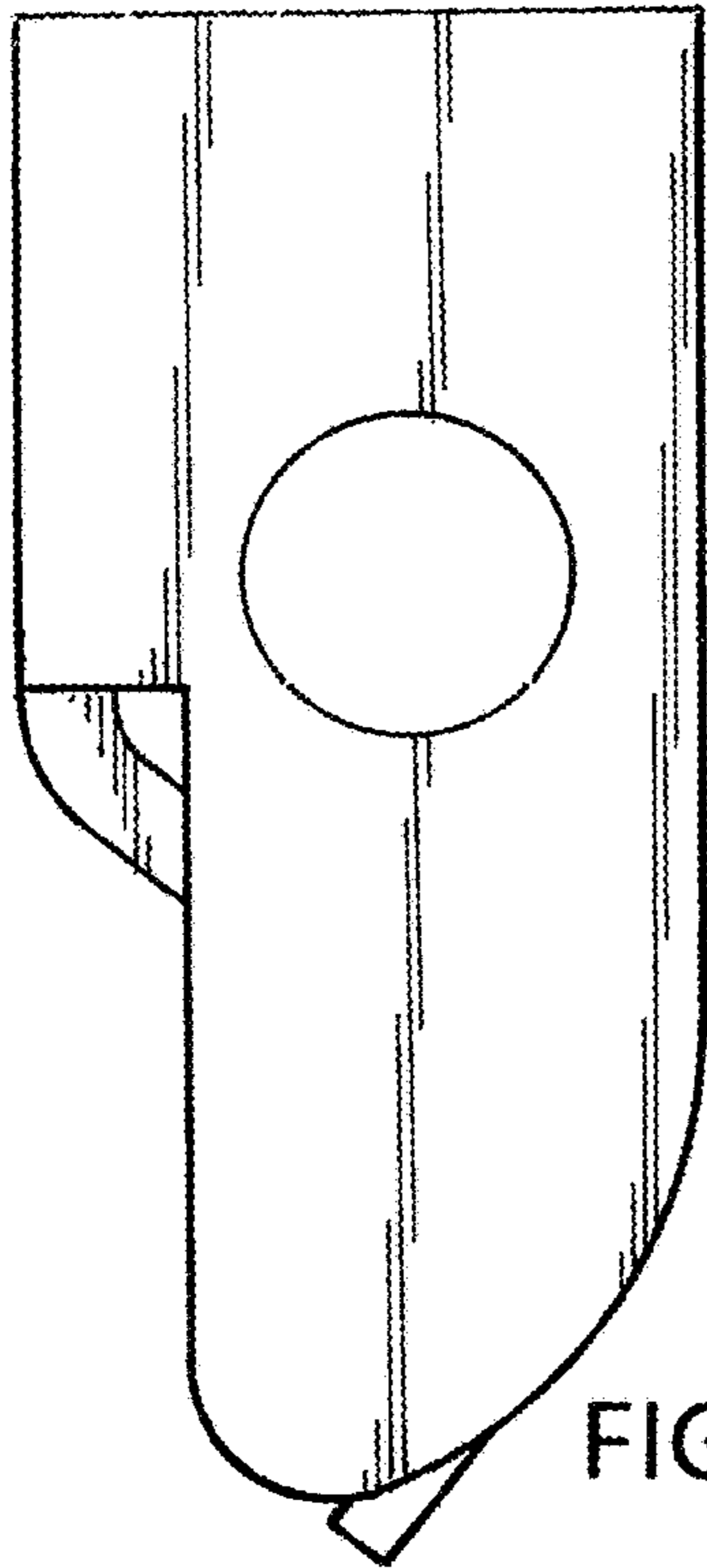


FIG. 5

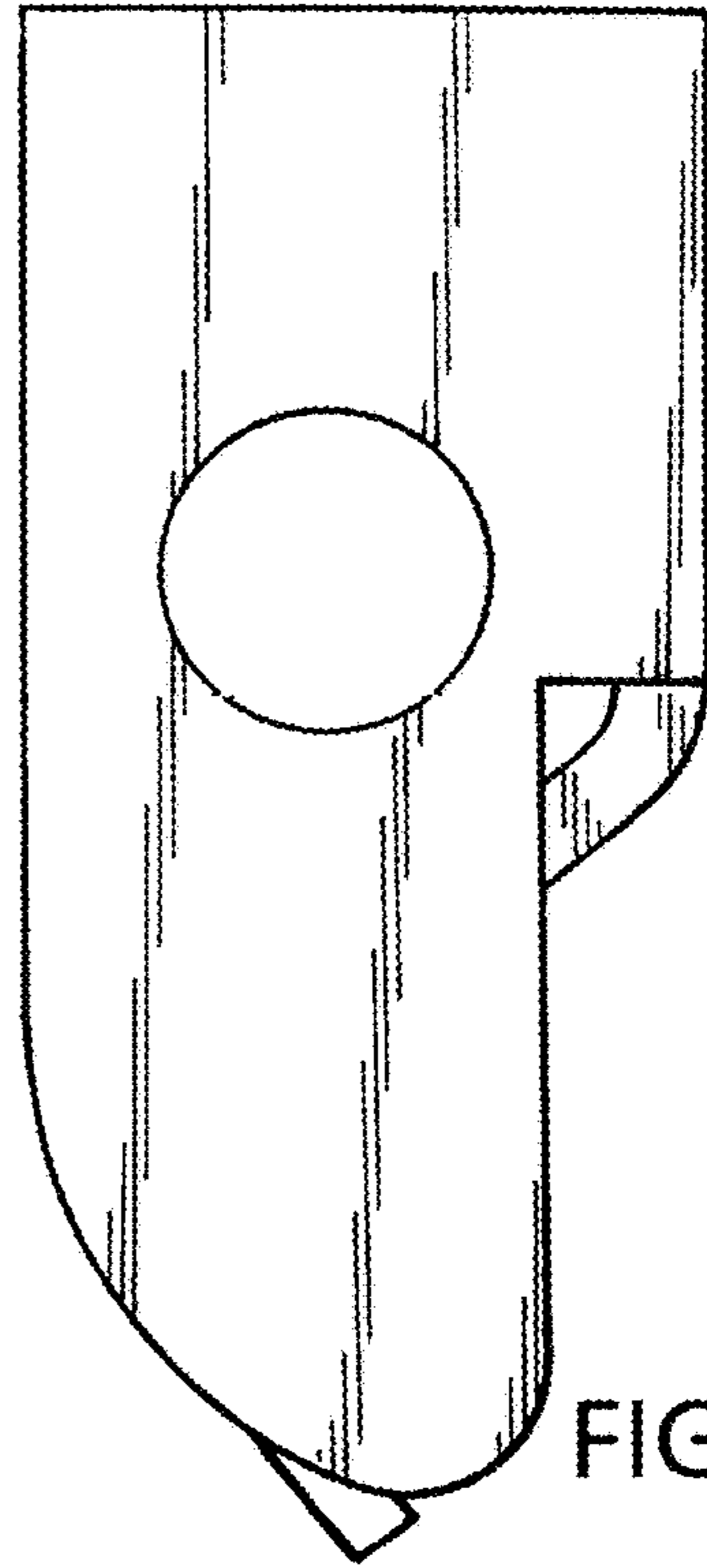


FIG. 6

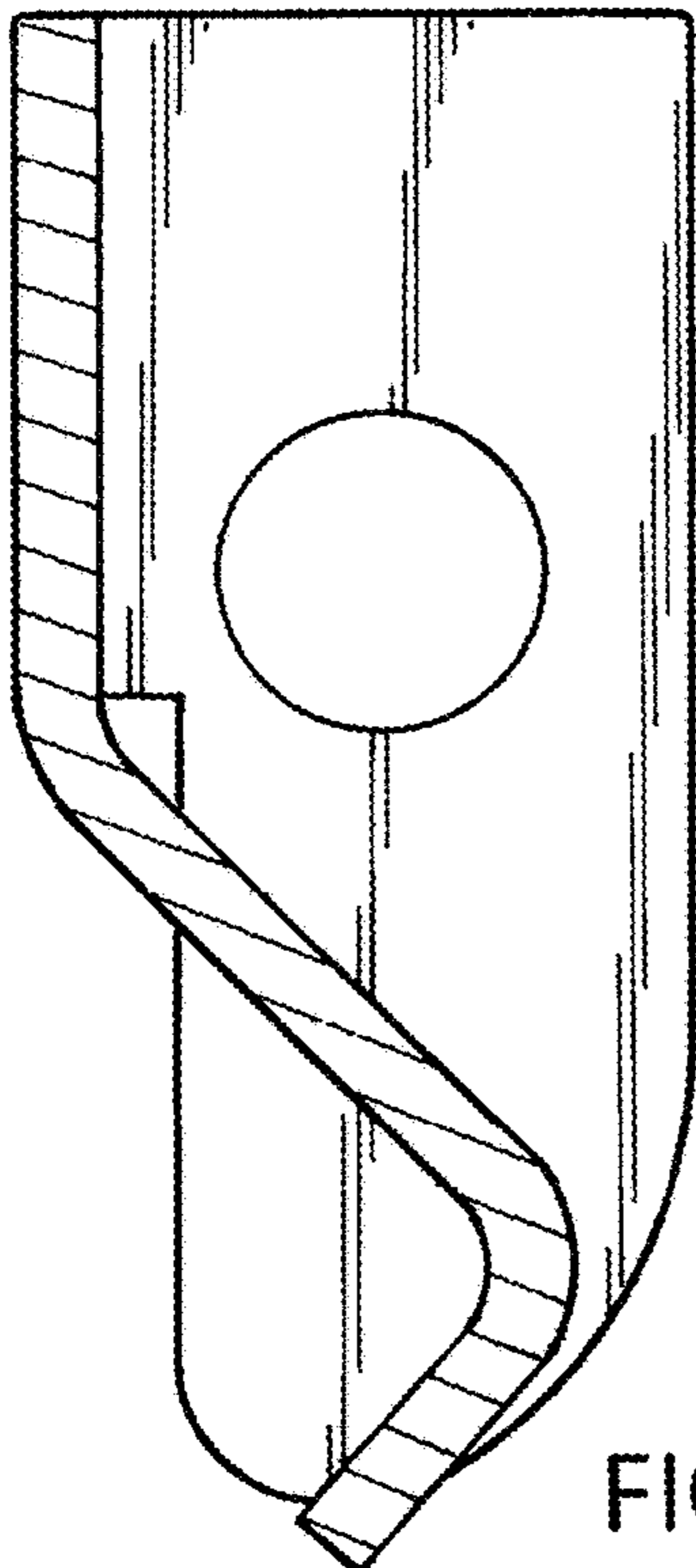


FIG. 7

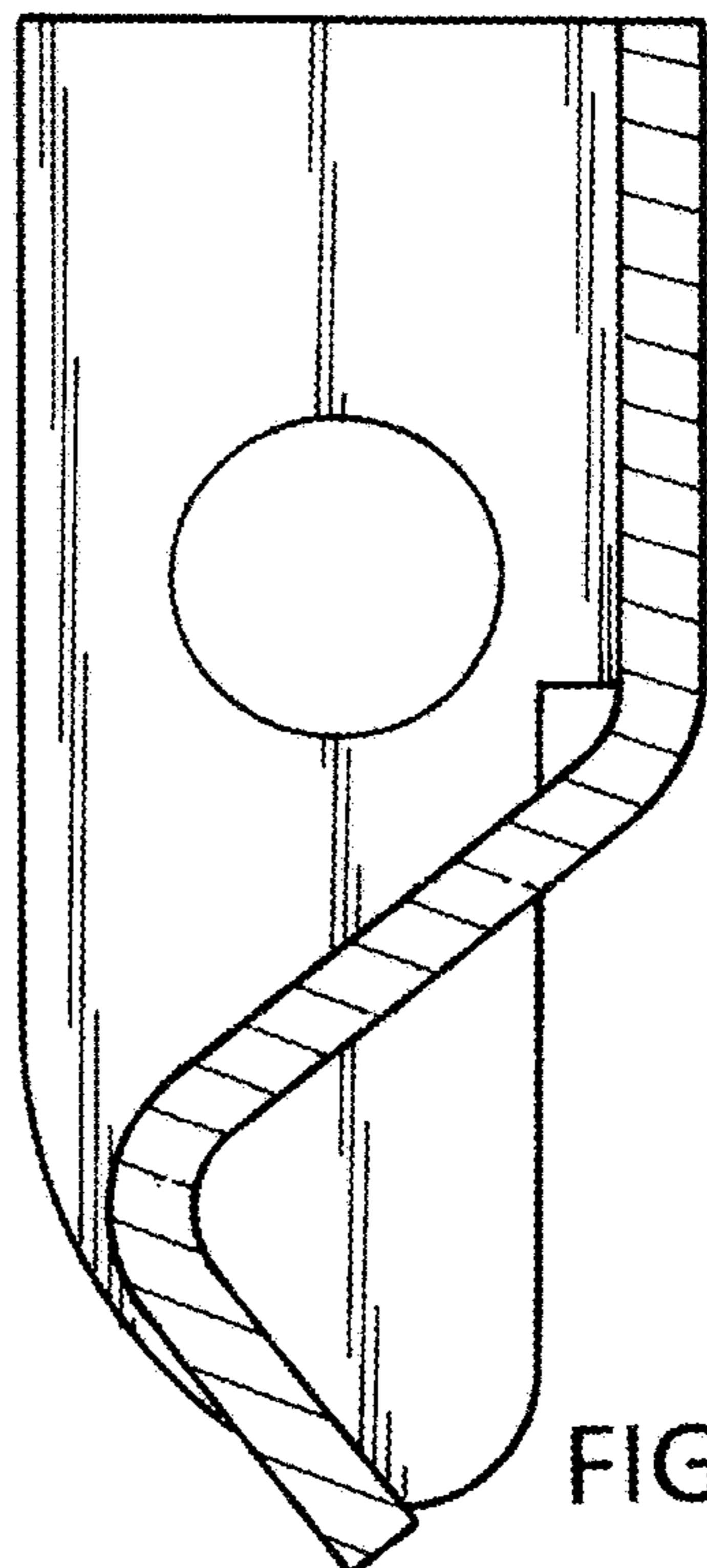


FIG. 8

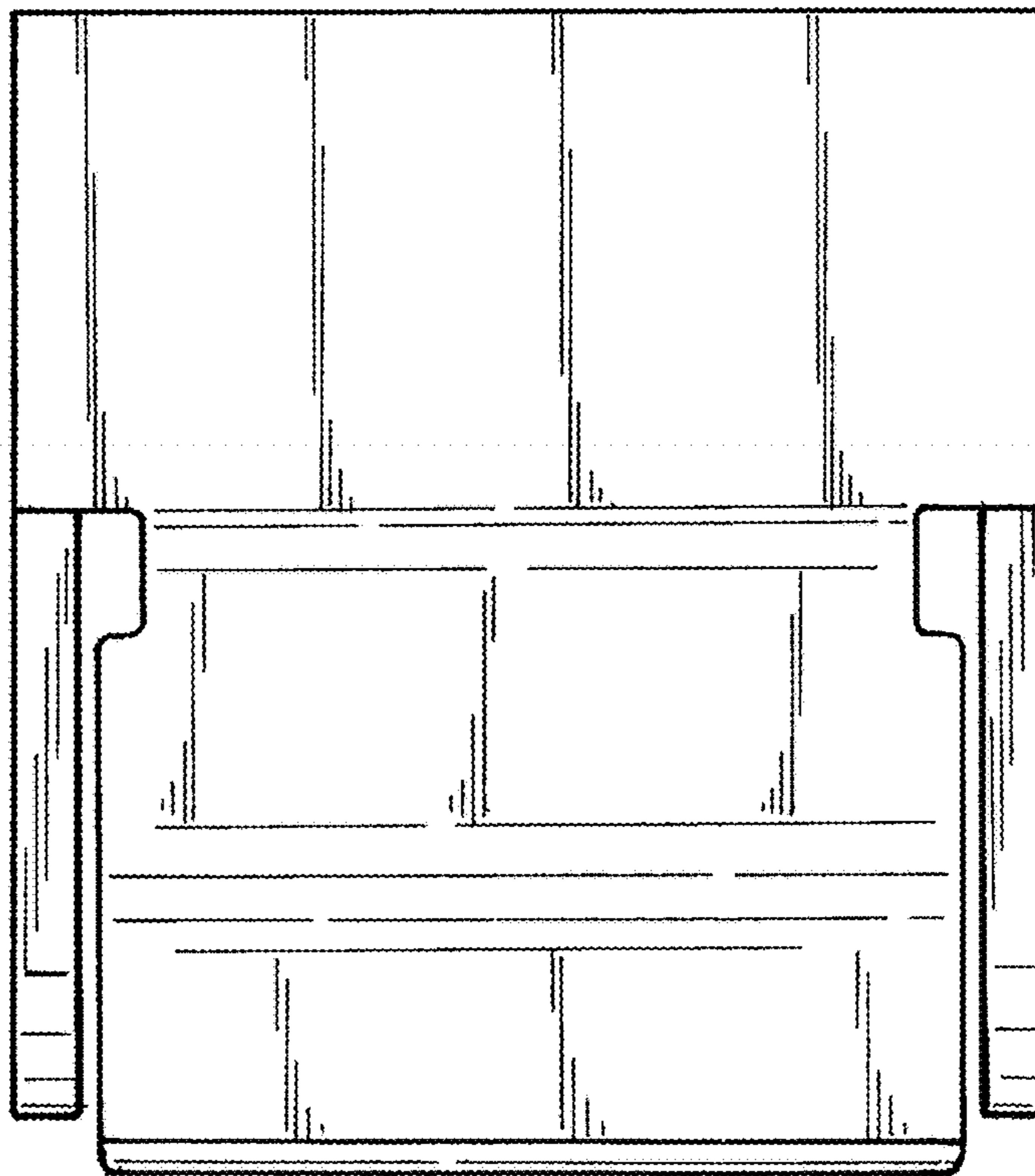


FIG.9