



US00D863042S

(12) **United States Design Patent**
Jiang

(10) **Patent No.:** **US D863,042 S**
(45) **Date of Patent:** **** Oct. 15, 2019**

- (54) **QUICK LOCKING LOOP HANGER**
- (71) Applicant: **Jiangmen Eurofix Metal and Rubber Products Co., Ltd., Jiangmen (CN)**
- (72) Inventor: **Shizhong Jiang, Guangdong Province (CN)**
- (73) Assignee: **Jiangmen Eurofix Metal and Rubber Products Co., Ltd. (CN)**

7,284,728 B2 * 10/2007 Connolly F16L 3/11
248/62
D569,349 S * 5/2008 Preston D13/156
D631,730 S * 2/2011 Skillman B65H 75/143
D8/356
D646,557 S * 10/2011 Chan D8/367
8,322,662 B2 * 12/2012 Heath F16L 3/1091
248/58
D682,909 S * 5/2013 Kim 24/115 R
D707,106 S * 6/2014 Crouse D8/356
D707,107 S * 6/2014 Crouse D8/356
8,833,705 B2 * 9/2014 Bragagna F16L 59/135
248/58

(**) Term: **15 Years**

(Continued)

- (21) Appl. No.: **29/646,778**
- (22) Filed: **May 7, 2018**
- (51) **LOC (12) Cl.** **09-06**
- (52) **U.S. Cl.**
USPC **D8/356; D8/367; D8/373**
- (58) **Field of Classification Search**
USPC **D8/356, 354, 349, 360, 367; D30/139;**
D11/218; 24/129 R
See application file for complete search history.

Primary Examiner — Cynthia R Underwood
(74) *Attorney, Agent, or Firm* — The Law Office of Jane K. Babin, PC; Jane K Babin

(57) **CLAIM**

The ornamental design for a quick locking loop hanger, as shown and described.

DESCRIPTION

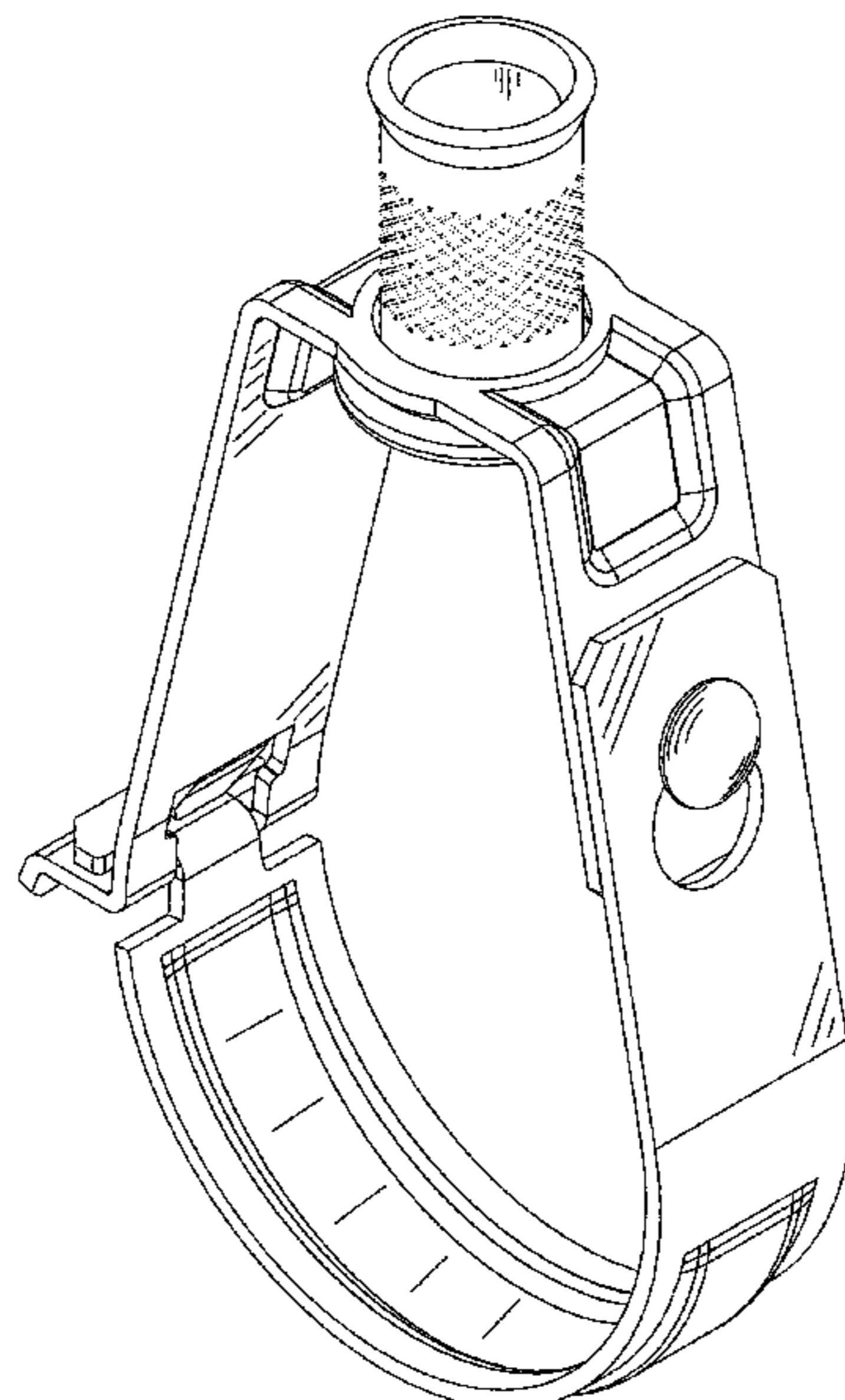
FIG. 1 is a perspective view of a quick locking loop hanger showing the claimed design;
FIG. 2 is a front view of the quick locking loop hanger shown in FIG. 1;
FIG. 3 is a back view of the quick locking loop hanger shown in FIG. 1;
FIG. 4 is a right side view of the quick locking loop hanger shown in FIG. 1;
FIG. 5 is a left side view of the quick locking loop hanger shown in FIG. 1;
FIG. 6 is a top view of the quick locking loop hanger shown in FIG. 1; and,
FIG. 7 is a bottom view of the quick locking loop hanger shown in FIG. 1.
The shade lines in the figures show contour and not surface ornamentation.

(56) **References Cited**

U.S. PATENT DOCUMENTS

- 3,066,372 A * 12/1962 Parker A01K 91/04
24/128
- D257,321 S * 10/1980 Voorhees, Jr. D8/356
- D313,340 S * 1/1991 Stathis D8/356
- D330,672 S * 11/1992 Wilkinson, III D8/349
- 5,219,427 A * 6/1993 Harris F16L 3/11
248/59
- 5,848,770 A * 12/1998 Oliver E21F 17/02
248/58
- D428,796 S * 8/2000 van Ochten D8/349
- 6,138,960 A * 10/2000 Carbonare F16L 3/1083
248/62
- 7,121,829 B2 * 10/2006 Day A61C 8/0087
433/163

1 Claim, 7 Drawing Sheets



(56)

References Cited

U.S. PATENT DOCUMENTS

D731,555	S *	6/2015	Lee	D15/5
D735,020	S *	7/2015	Bradford	D8/356
D736,833	S *	8/2015	Lee	D15/5
D752,339	S *	3/2016	Hoover	D3/23
D758,836	S *	6/2016	Symons	D8/383
D803,666	S *	11/2017	Morley	D8/356
D813,015	S *	3/2018	O'Brien	D8/356
D814,273	S *	4/2018	Karpanty	D8/356
D831,468	S *	10/2018	Morley	D8/356
D841,443	S *	2/2019	Foster, II	D8/360.1
10,295,086	B2 *	5/2019	Juzak	F16L 3/1075
2012/0160970	A1 *	6/2012	Bragagna	F16L 3/11 248/62

* cited by examiner

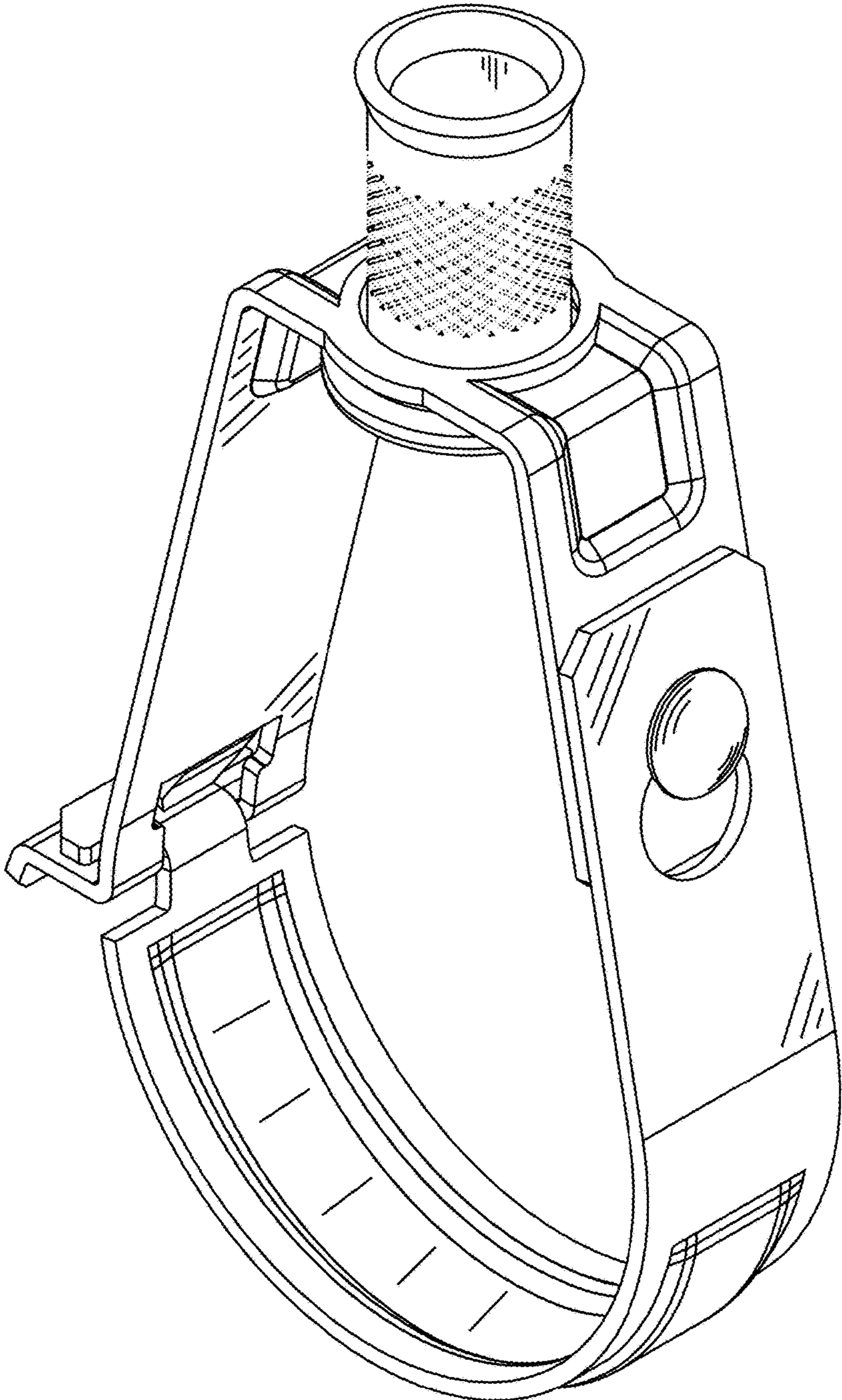


FIG. 1

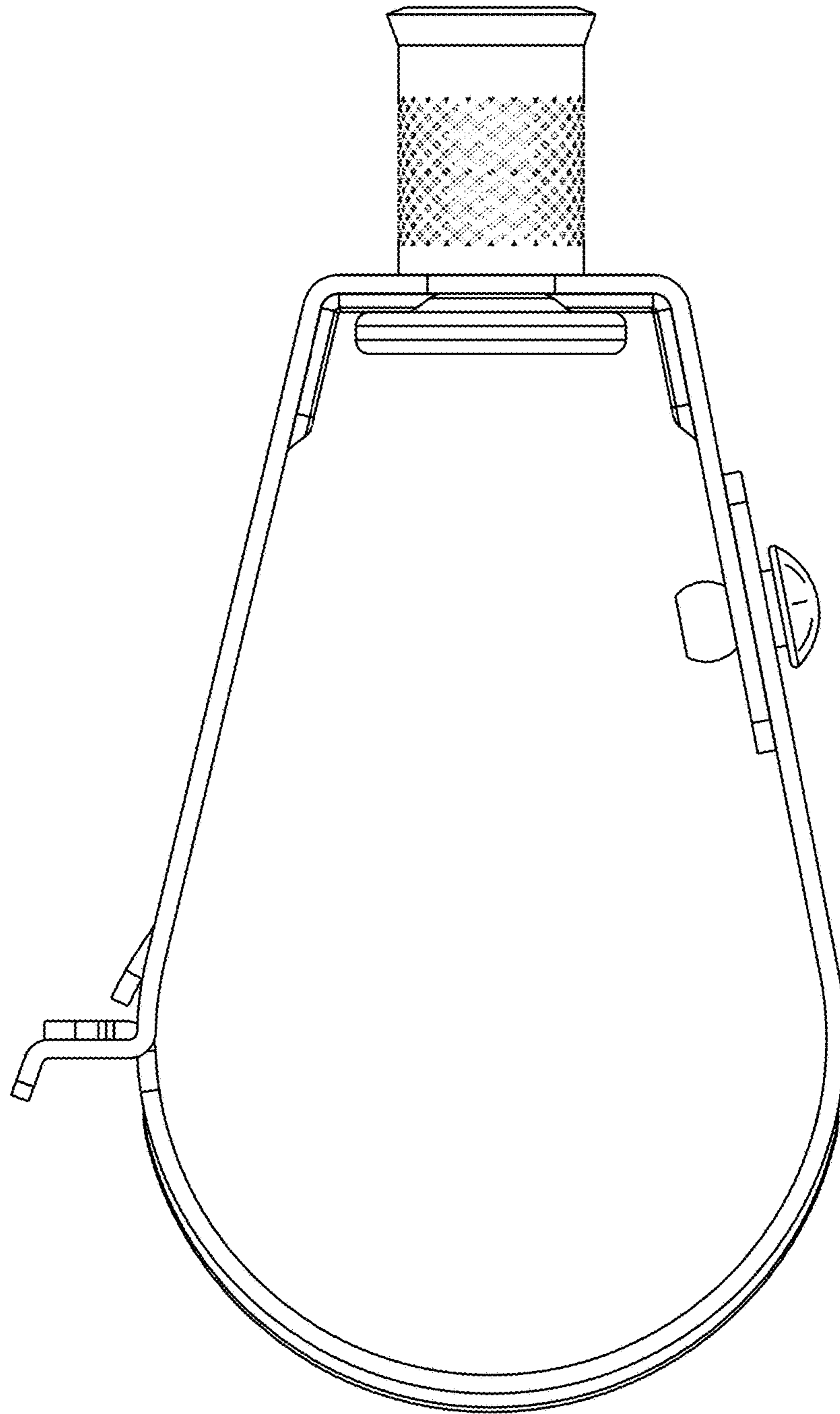


FIG.2

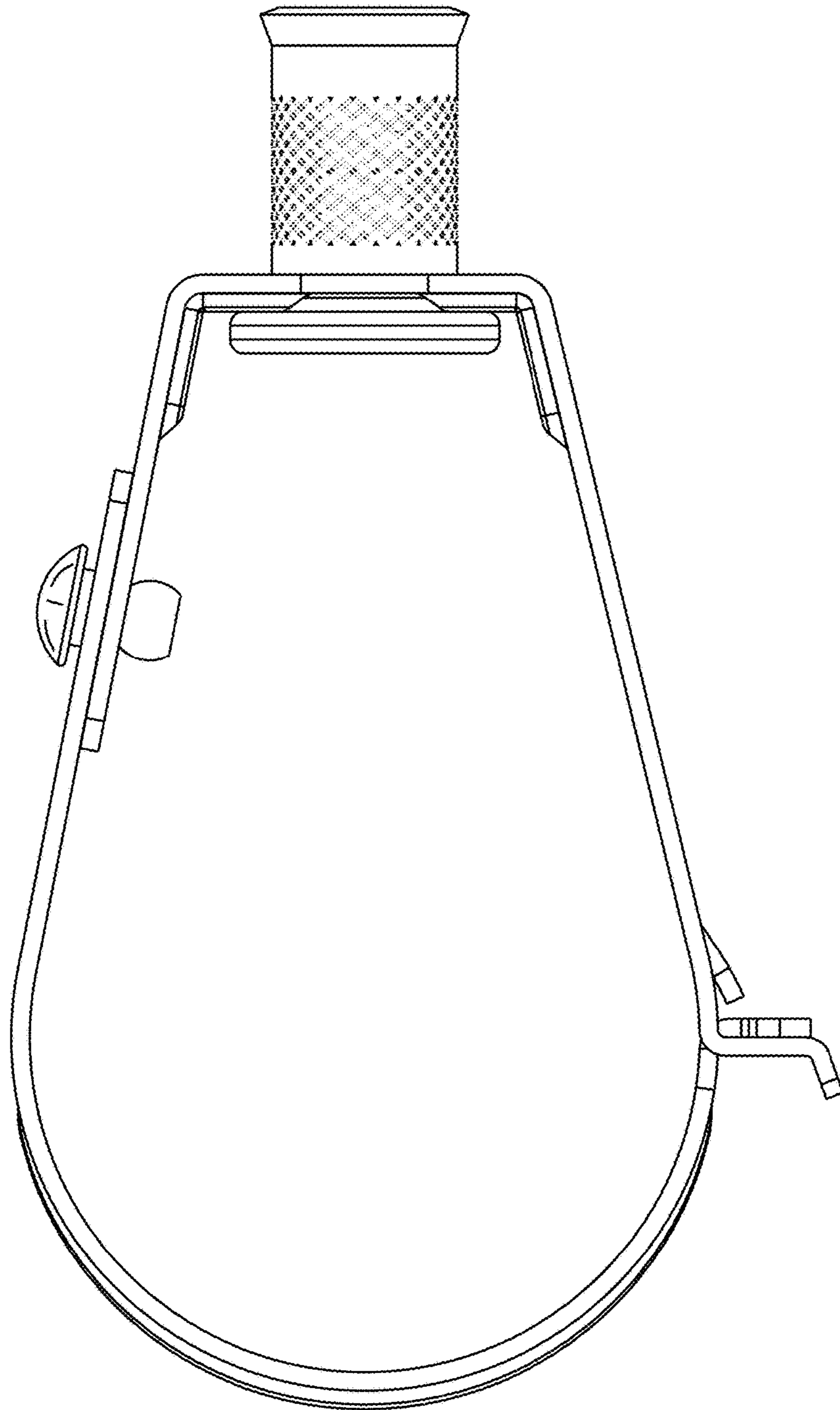


FIG. 3

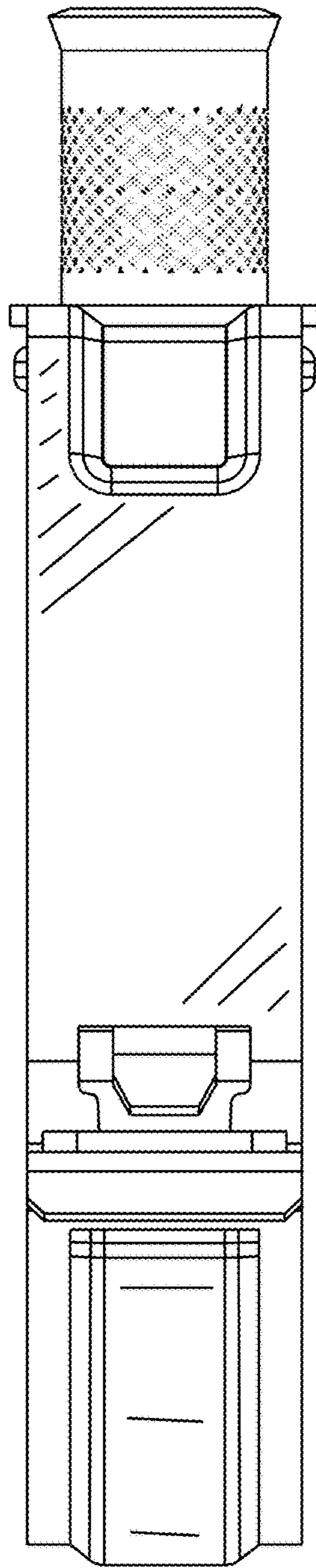


FIG.4

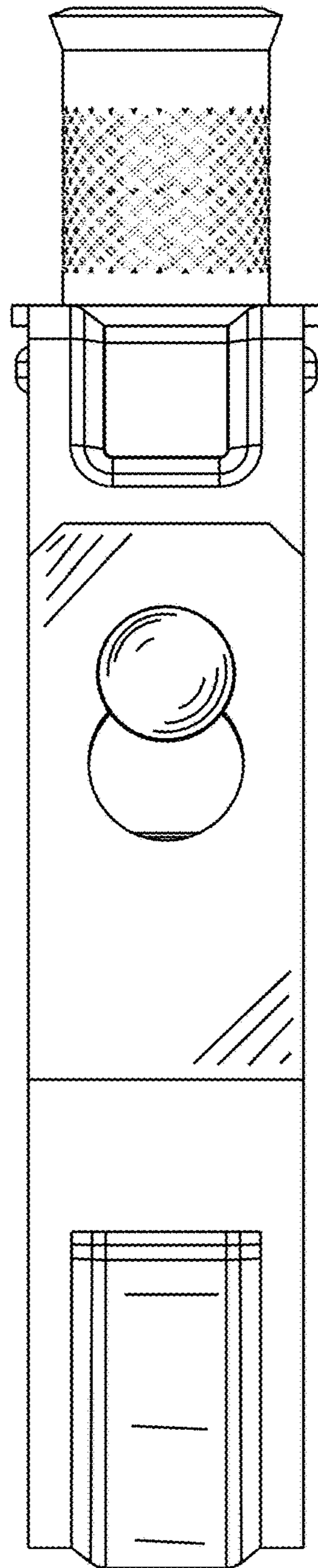


FIG.5

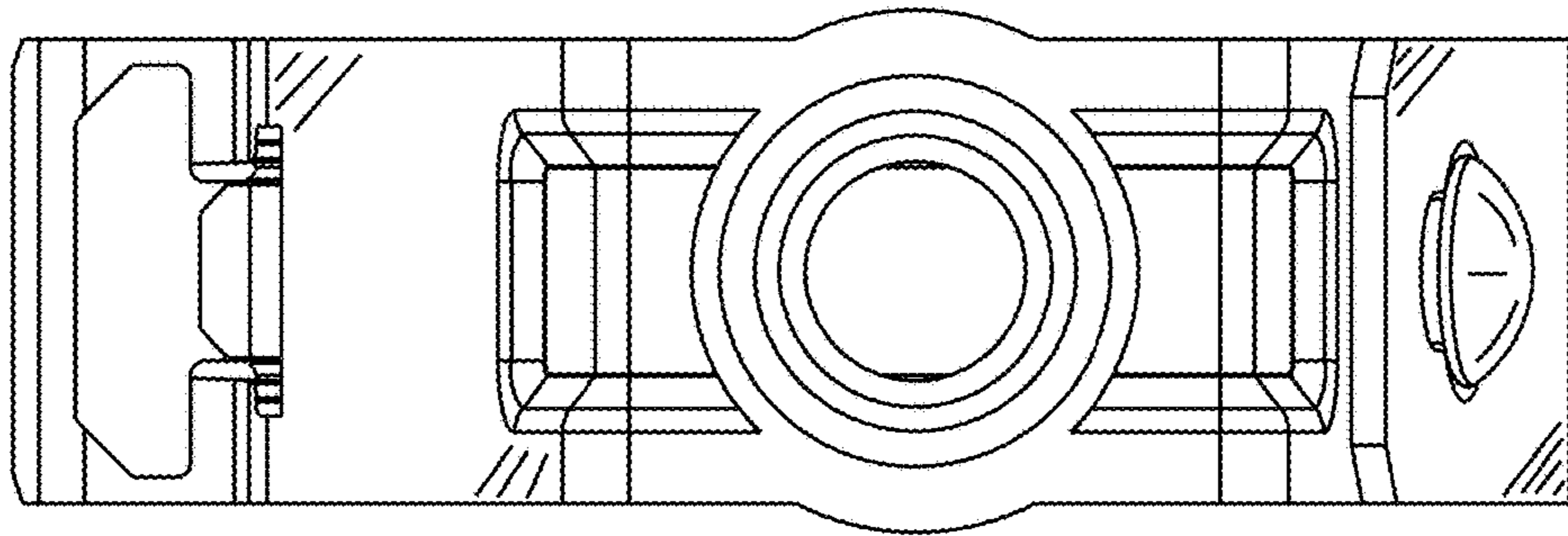


FIG.6

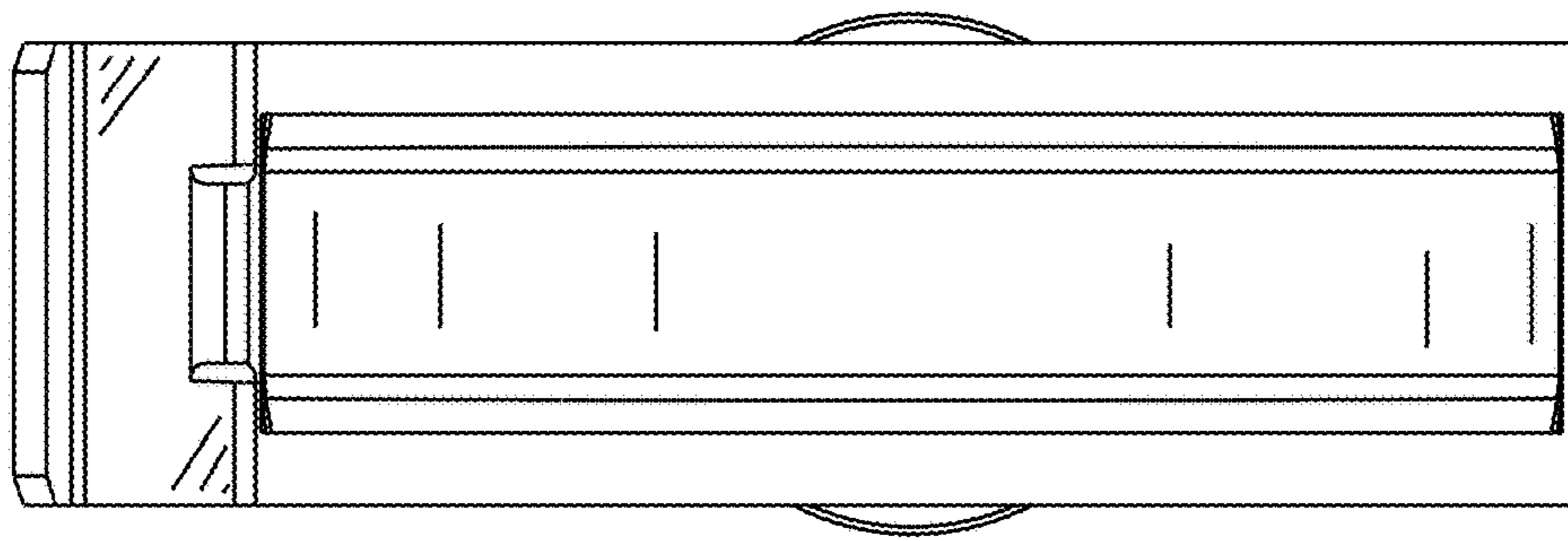


FIG. 7