



US00D863041S

(12) **United States Design Patent** (10) **Patent No.:** **US D863,041 S**
Short (45) **Date of Patent:** **** Oct. 15, 2019**

(54) **DEVICE FOR WINDING TENSIONING STRAPS**
 (71) Applicant: **Neil Raymond Short**, Tyntynder (AU)
 (72) Inventor: **Neil Raymond Short**, Tyntynder (AU)
 (**) Term: **15 Years**
 (21) Appl. No.: **29/644,973**
 (22) Filed: **Apr. 23, 2018**
 (51) **LOC (12) Cl.** **09-06**
 (52) **U.S. Cl.**
 USPC **D8/356**
 (58) **Field of Classification Search**
 USPC D8/356, 354, 349, 360, 367; D30/139;
 D11/218; 24/129 R
 See application file for complete search history.

(56) **References Cited**

U.S. PATENT DOCUMENTS

D91,344 S *	1/1934	Baer	D11/13
D384,269 S *	9/1997	Jones	D8/367
D435,763 S *	1/2001	Potter	D8/14
7,357,612 B1 *	4/2008	Paul	B60P 7/0853 279/144
D577,175 S *	9/2008	Walstrom	D34/31
D595,923 S *	7/2009	Walstrom	D34/35
D720,986 S *	1/2015	Citterio	D3/260
D769,702 S *	10/2016	Kuniyoshi	D8/367
D783,387 S *	4/2017	Wilson	D8/356
D786,657 S *	5/2017	Woodrow	D8/356
D801,155 S *	10/2017	Kuniyoshi	D8/367
D802,866 S *	11/2017	Williams	D34/24
D811,857 S *	3/2018	Williams	D8/356
D818,517 S *	5/2018	Szarawarski	D16/242
D832,084 S *	10/2018	Lin	D8/356
D832,100 S *	10/2018	Deylamian	D9/443
D847,619 S *	5/2019	Farahani	D8/367
2006/0022104 A1 *	2/2006	Treat	B60P 7/0846 248/300

2007/0120003 A1 *	5/2007	Grant	B65H 49/24 242/557
2009/0206307 A1 *	8/2009	Westberg	B60P 7/0853 254/243
2013/0270498 A1 *	10/2013	Burneister	B66D 1/28 254/266
2015/0107066 A1 *	4/2015	Lu	B60P 7/0846 24/69 ST
2015/0117975 A1 *	4/2015	Wright	B60P 3/079 410/103
2016/0046228 A1 *	2/2016	Williams	B60P 7/0853 410/98

* cited by examiner

Primary Examiner — Cynthia R Underwood

(74) *Attorney, Agent, or Firm* — Benjamin Aaron Adler

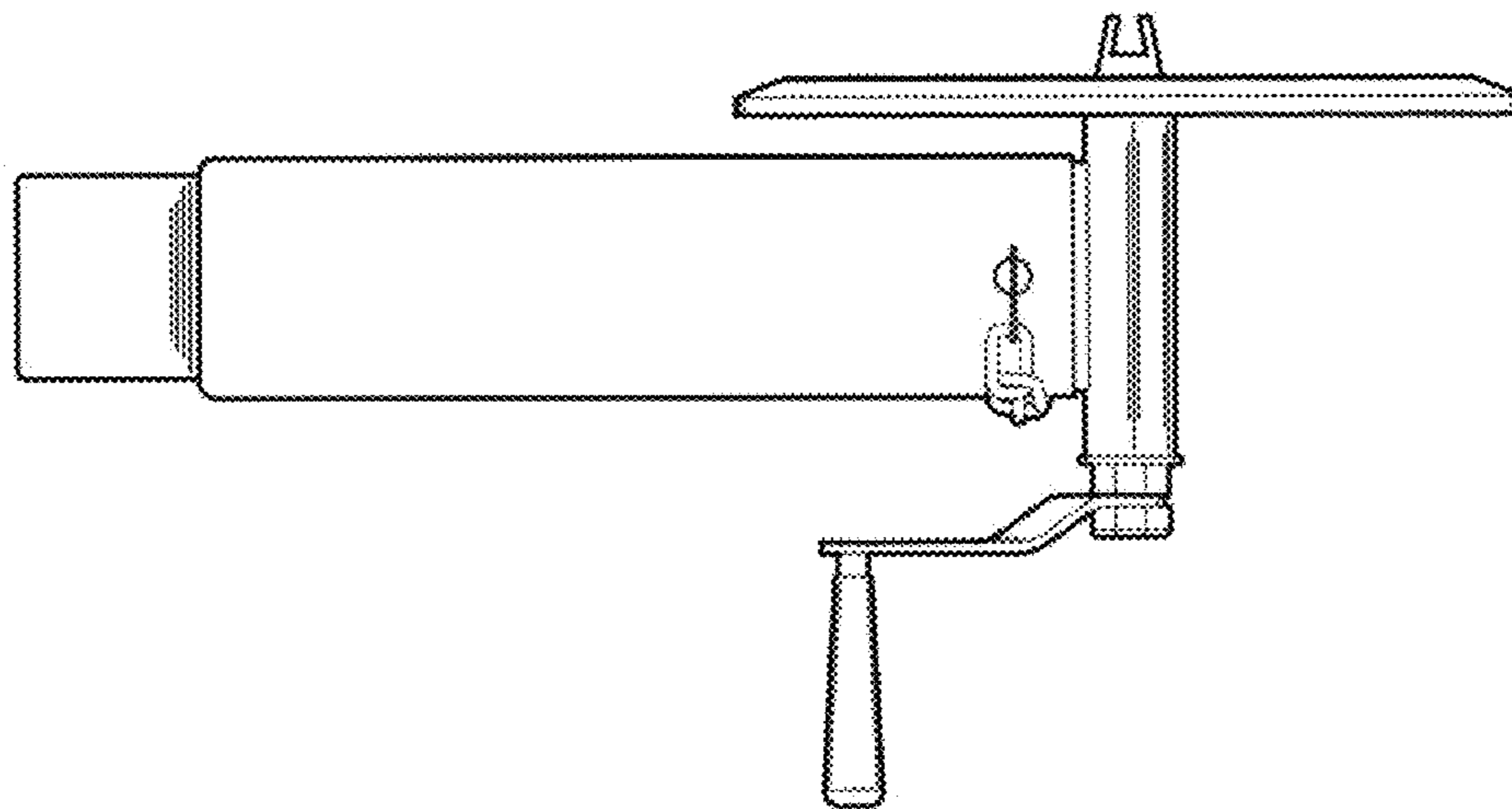
(57) **CLAIM**

The ornamental design for a device for winding tensioning straps, as shown and described.

DESCRIPTION

FIG. 1 is a front elevated view of the device for winding tensioning straps.
 FIG. 2 is a front and top perspective view of the device for winding tensioning straps.
 FIG. 3 is a side view of the first side of FIG. 2 with the boss extending upwardly from the winding plate.
 FIG. 4 is a partial view of FIG. 3 with the boss retaining a strap guide. The strap guide is not part of the claimed design.
 FIG. 5 is a partial side view of the second side of FIG. 2 with the boss extending downwardly from the winding plate.
 FIG. 6 is a partial view of FIG. 5 with the boss retaining a strap guide with the strap guide forming no part of the claimed design; and,
 FIG. 7 is a partial bottom and side perspective view of the device for winding tensioning straps.

1 Claim, 5 Drawing Sheets



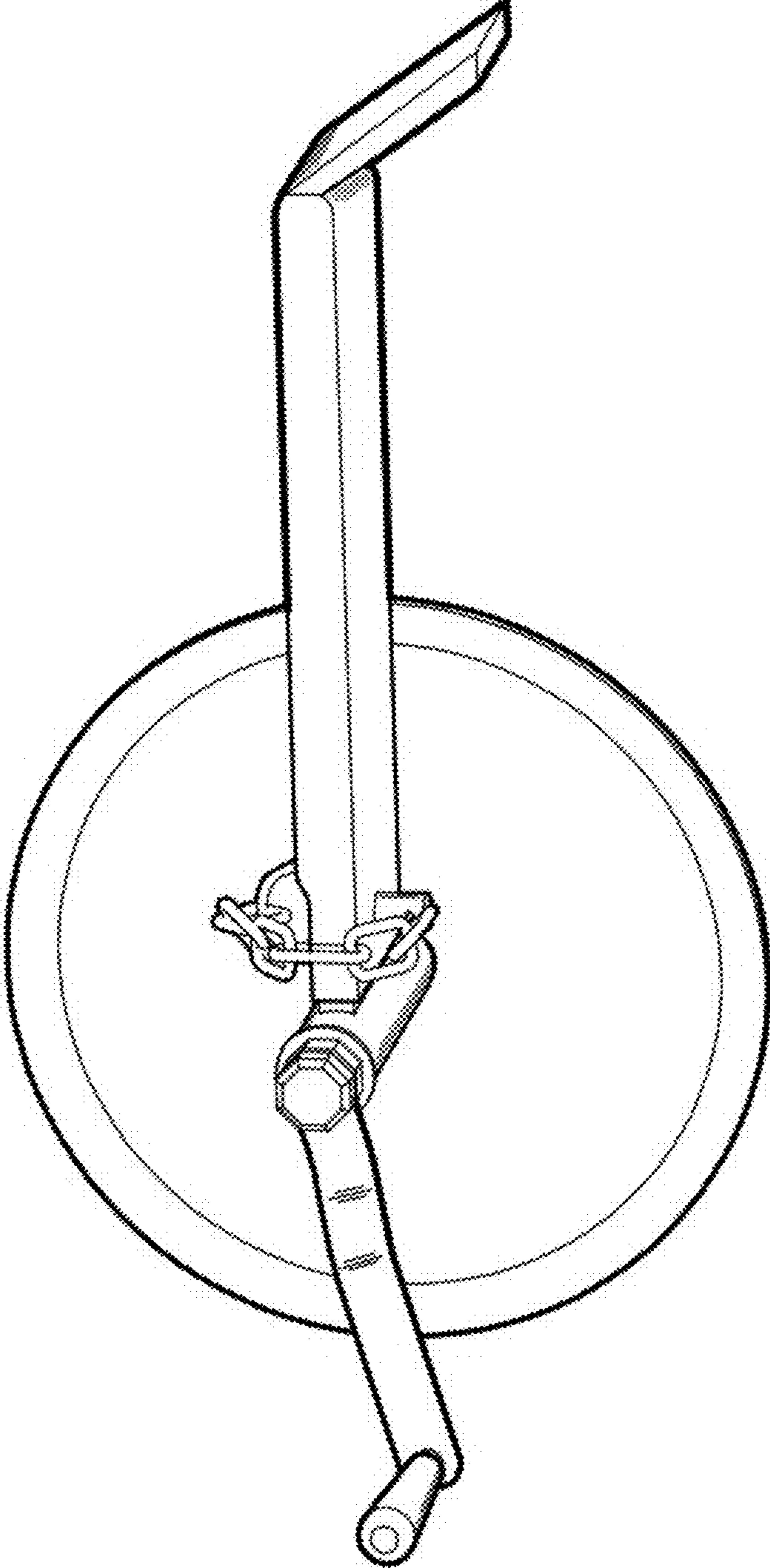


FIG. 1

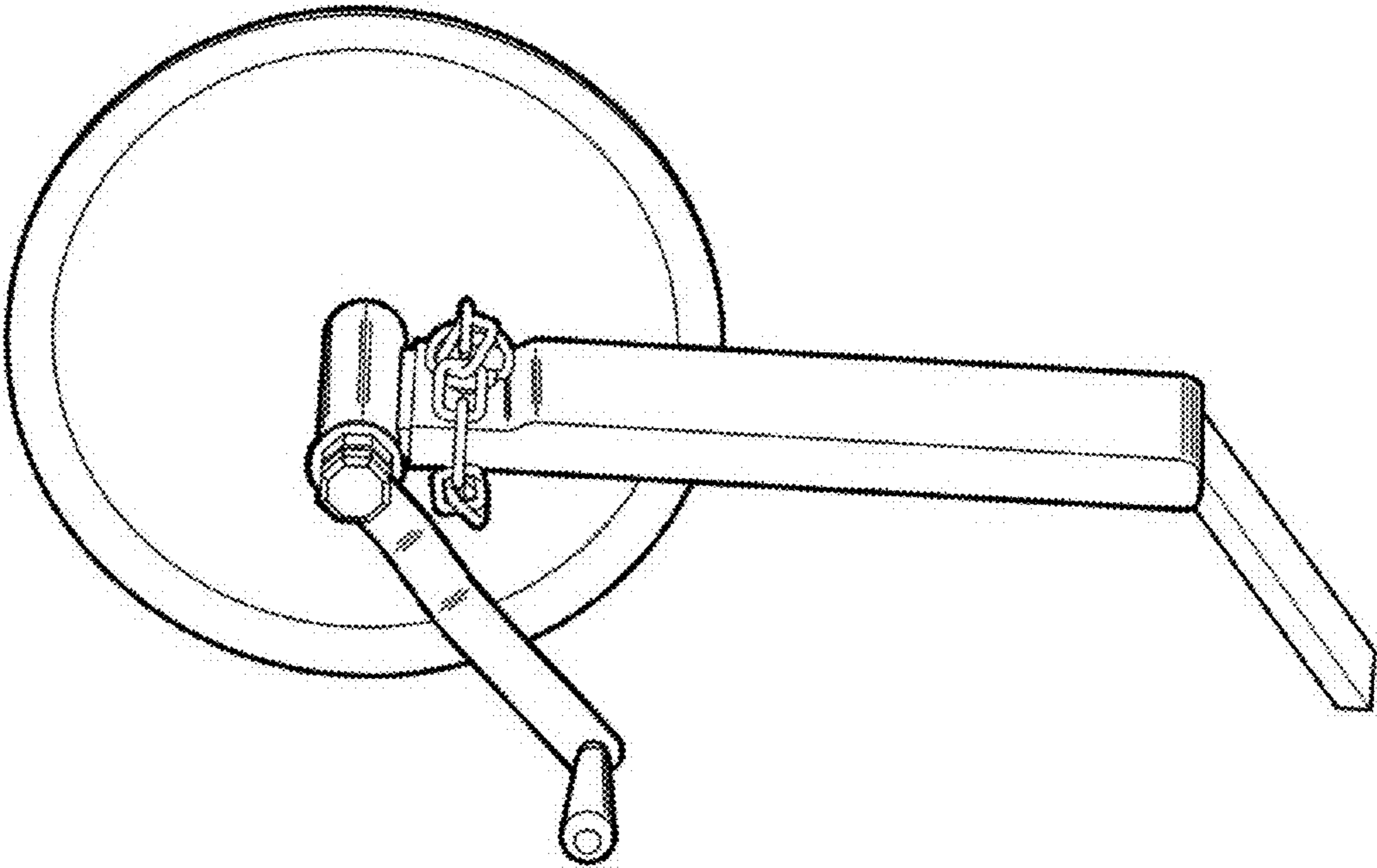


FIG. 2

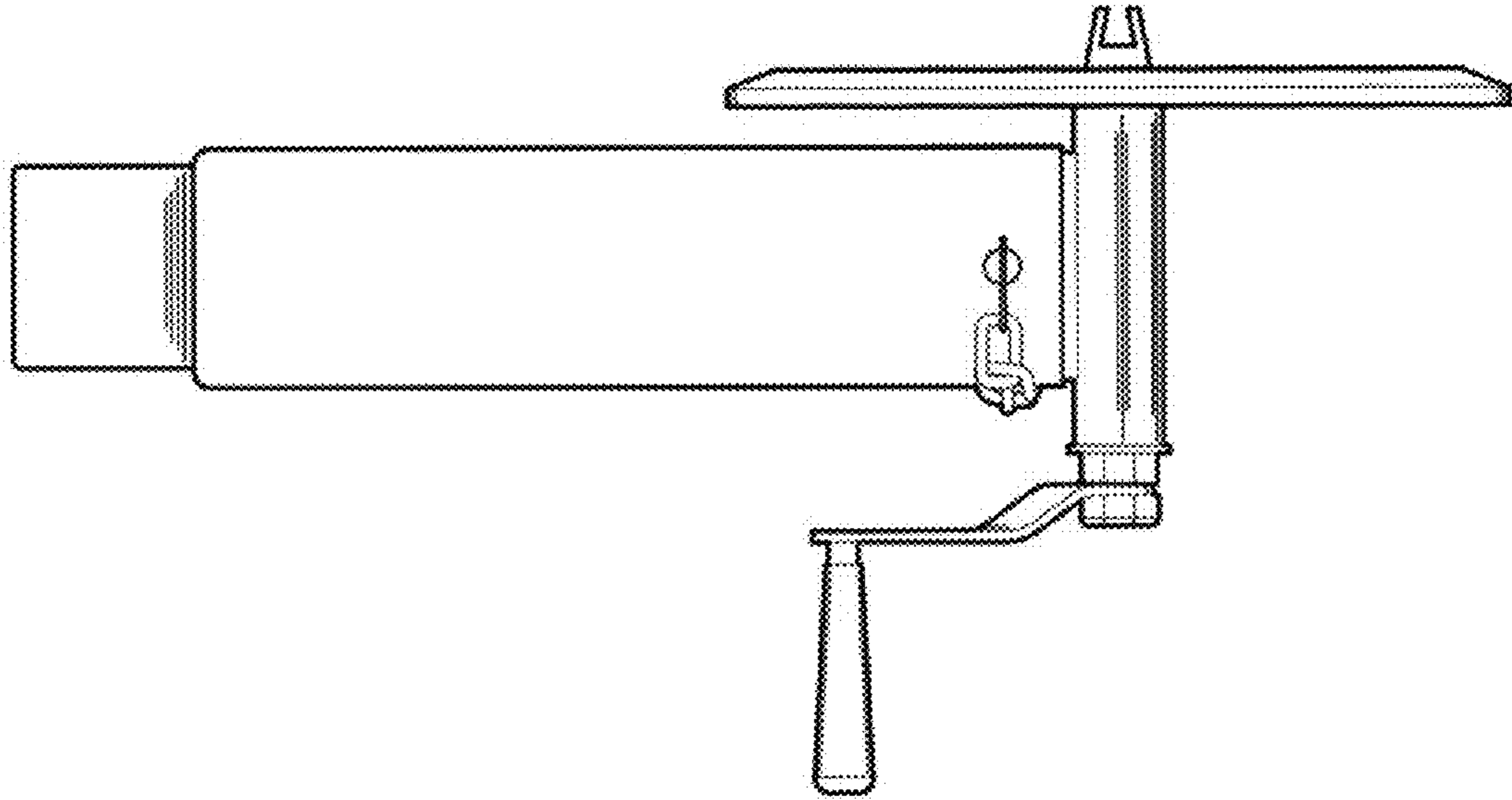


FIG. 3

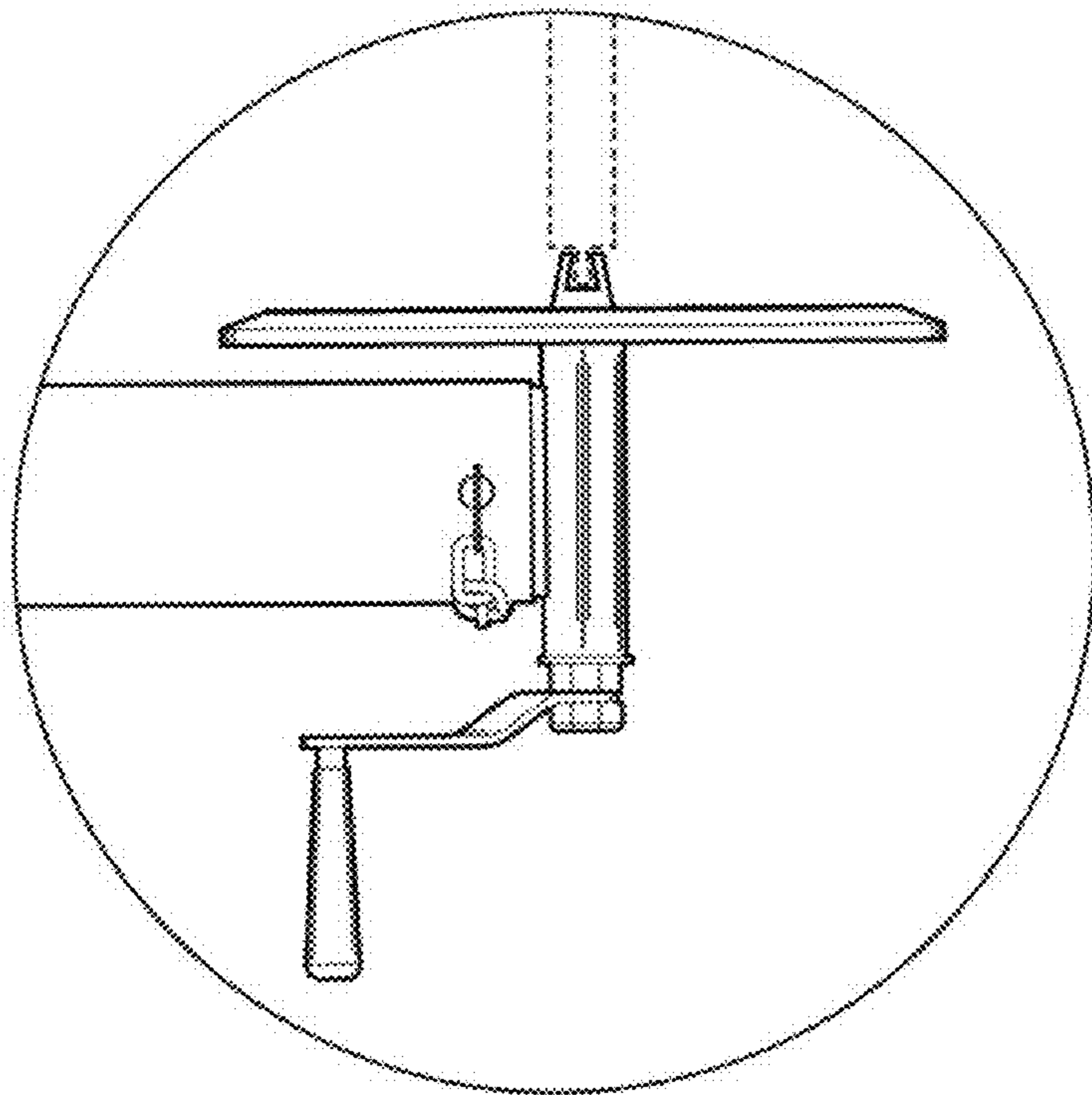


FIG. 4

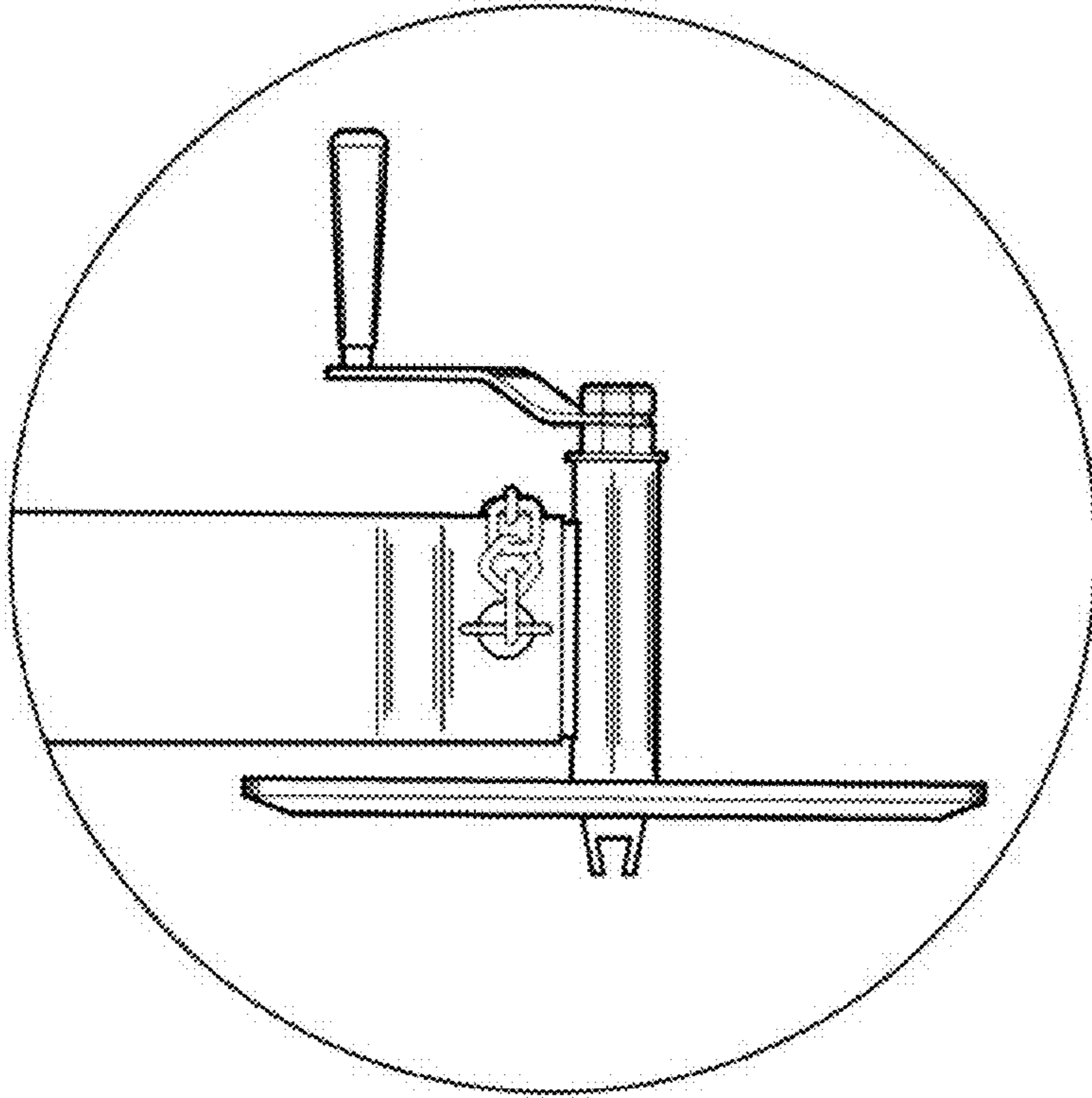


FIG. 5

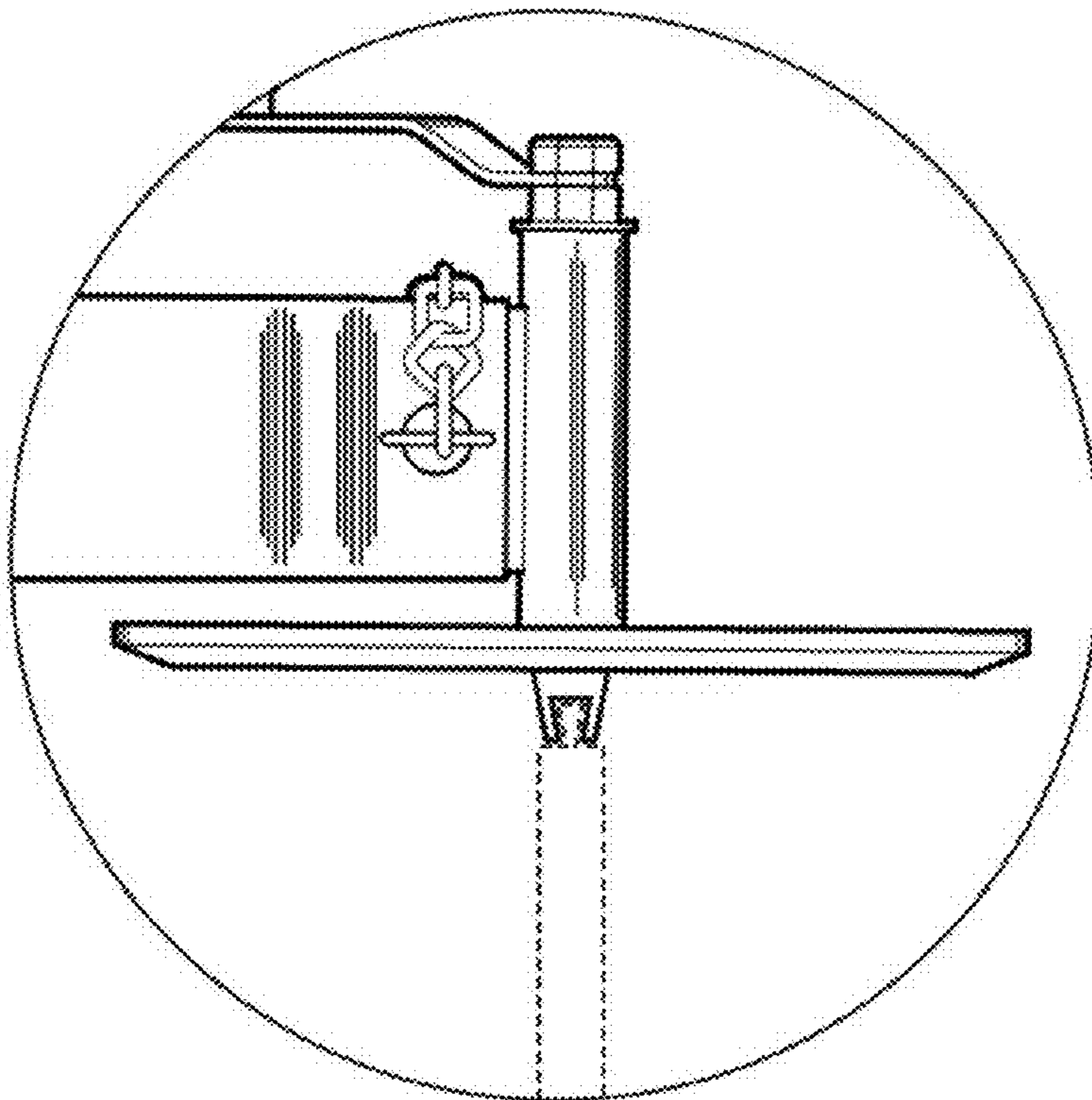


FIG. 6

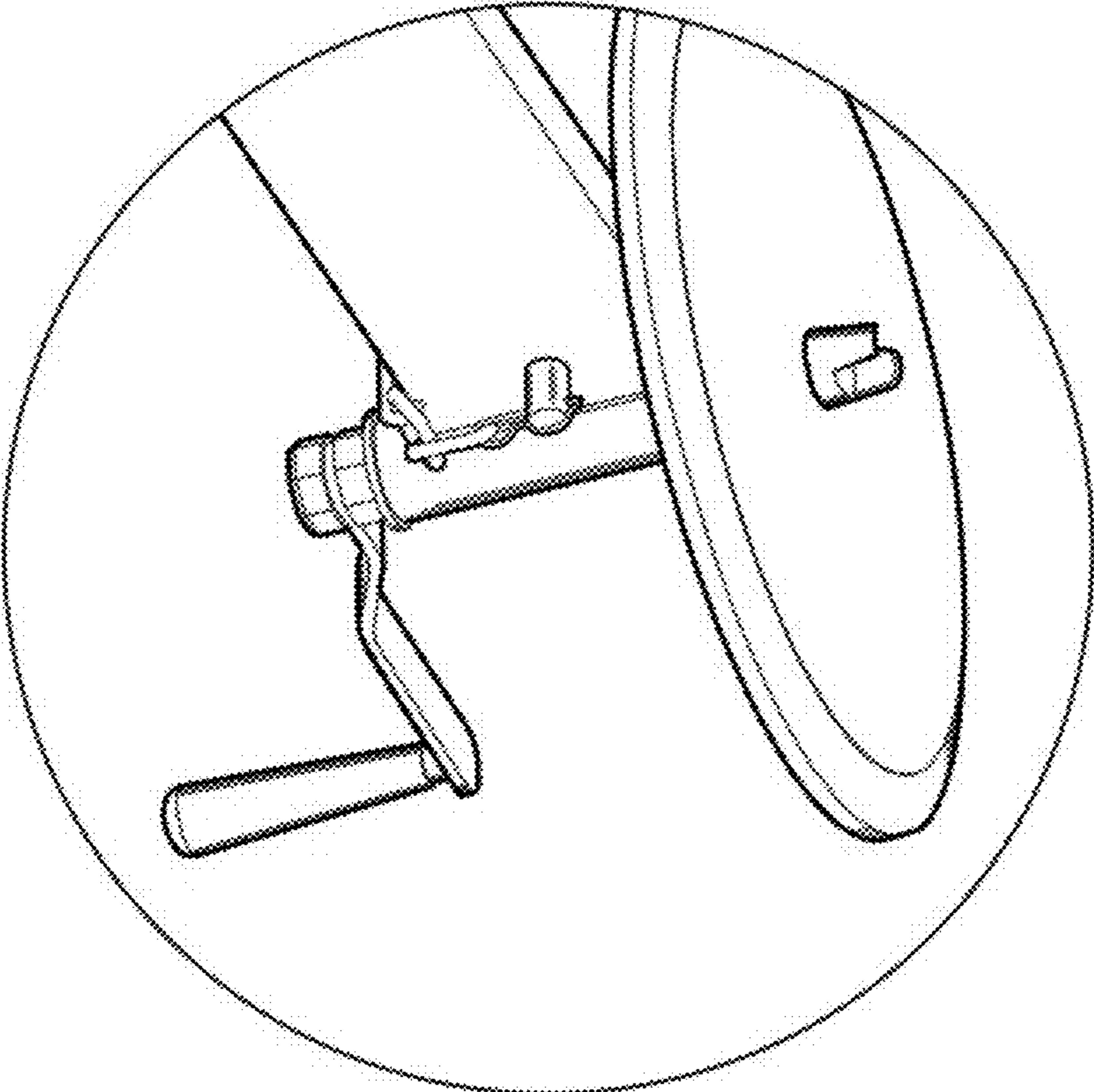


FIG. 7