



US00D863040S

(12) **United States Design Patent** (10) **Patent No.:** **US D863,040 S**  
**DeDios-Shirley et al.** (45) **Date of Patent:** **\*\* Oct. 15, 2019**

(54) **PRODUCT MOUNT**  
 (71) Applicant: **HIDEit Mounts, Inc.**, Reno, NV (US)  
 (72) Inventors: **Relina Belen DeDios-Shirley**, Reno, NV (US); **Charles Edward Shirley**, Reno, NV (US)

D376,751 S 12/1996 Hanson  
 D388,136 S 12/1997 Lecocq et al.  
 5,765,850 A 6/1998 Emerson  
 D398,470 S 9/1998 St-Pierre et al.  
 D409,079 S 5/1999 Sobczynski  
 D423,328 S 4/2000 Burrows  
 (Continued)

(73) Assignee: **HIDEit Mounts, Inc.**, Reno, NV (US)  
 (\*\*) Term: **15 Years**

(21) Appl. No.: **29/622,454**

(22) Filed: **Oct. 17, 2017**

(51) **LOC (12) Cl.** ..... **08-05**

(52) **U.S. Cl.**  
 USPC ..... **D8/354**

(58) **Field of Classification Search**  
 USPC ..... D8/354, 349, 355, 363, 373, 380, 387,  
 D8/388, 389; D20/22, 27, 42, 43;  
 D6/315, 320, 328, 319  
 CPC ..... H05K 5/0204; H05K 7/14; F16M 13/02;  
 H04N 5/655; H04N 5/64; G06F 1/1601;  
 G06F 1/16; A45F 5/00; A45F 5/021;  
 A45F 2200/0516; A45F 2200/0508; A45F  
 2200/0525

See application file for complete search history.

(56) **References Cited**

**U.S. PATENT DOCUMENTS**

D168,074 S 10/1952 Symington  
 D242,766 S 12/1976 Neece  
 D244,748 S 6/1977 Canterbury  
 4,079,604 A 3/1978 Anderegg  
 4,467,244 A 8/1984 Dickie  
 D296,075 S 6/1988 Jones  
 D306,133 S 2/1990 Zupancic  
 D310,478 S 9/1990 Lang  
 D312,185 S 11/1990 Prater, Sr.  
 5,044,589 A 9/1991 Milne et al.  
 D321,135 S 10/1991 Bedell et al.  
 5,227,582 A 7/1993 Velasco et al.  
 D370,171 S 5/1996 Emerson

**OTHER PUBLICATIONS**

Amazon, Oct. 12, 2017, Amazon.com\_ HIDEit Apple TV 4K Mount\_ Electronics, [https://www.amazon.com/HIDEit-Apple-TV-4K-Mount/dp/B076DL3QQZ?hvadid=229065950148&hvdev=c&hvlocphy=9007652&hvnetw=g&hvpos=1o1&hvqmt=e&hvrnd=18104176978876624253&hvtargid=kwd-327365201212&keywords=hideit+mount&qid=1539122533&sr=8-6&tag=go.\\*](https://www.amazon.com/HIDEit-Apple-TV-4K-Mount/dp/B076DL3QQZ?hvadid=229065950148&hvdev=c&hvlocphy=9007652&hvnetw=g&hvpos=1o1&hvqmt=e&hvrnd=18104176978876624253&hvtargid=kwd-327365201212&keywords=hideit+mount&qid=1539122533&sr=8-6&tag=go.*)

(Continued)

*Primary Examiner* — Janice Hallmark  
*Assistant Examiner* — Harold E Blackwell, II  
 (74) *Attorney, Agent, or Firm* — Holland & Hart LLP

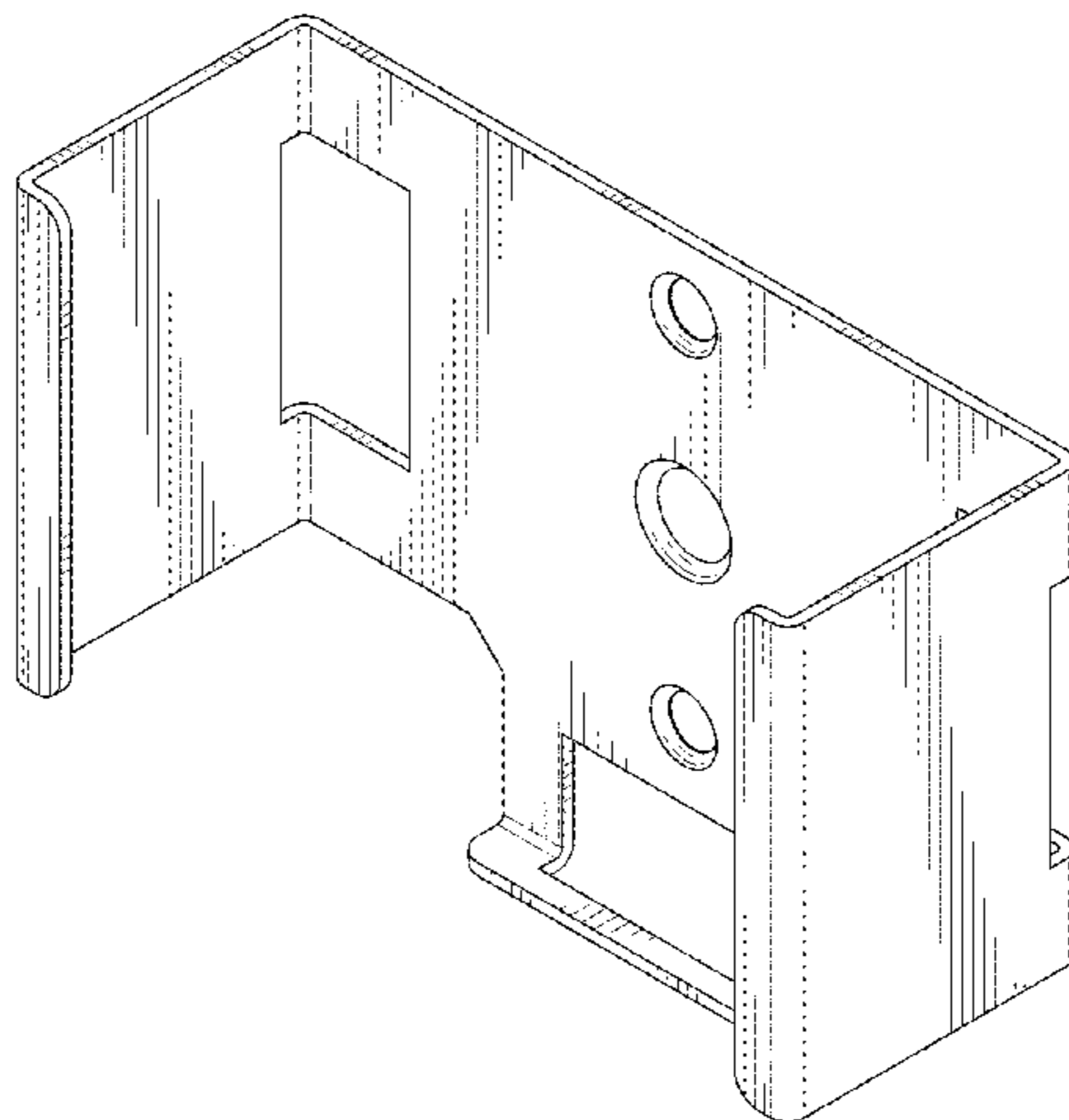
(57) **CLAIM**

The ornamental design for a product mount, as shown and described.

**DESCRIPTION**

FIG. 1 is a perspective view of the product mount showing our new design;  
 FIG. 2 is a front elevational view of the of the product mount shown in FIG. 1;  
 FIG. 3 is a rear elevational view of the product mount shown in FIG. 1;  
 FIG. 4 is a left side elevational view of the product mount shown in FIG. 1;  
 FIG. 5 is a right side elevational view of the product mount shown in FIG. 1;  
 FIG. 6 is a top plan view of the product mount shown in FIG. 1; and,  
 FIG. 7 is a bottom plan view of the product mount shown in FIG. 1.

**1 Claim, 7 Drawing Sheets**



(56)

References Cited

U.S. PATENT DOCUMENTS

D425,070 S 5/2000 Johnson  
 D426,041 S 5/2000 Boghossian  
 6,357,713 B1 \* 3/2002 BeBow ..... F16M 13/02  
 248/300  
 6,402,111 B1 6/2002 Stewart et al.  
 6,554,527 B1 4/2003 O'Donnell et al.  
 7,312,396 B1 12/2007 Gorman  
 D560,677 S \* 1/2008 Wohlford ..... D14/451  
 D561,189 S \* 2/2008 Wohlford ..... D14/451  
 D568,727 S 5/2008 Walker et al.  
 D583,221 S 12/2008 Johnsen  
 D598,273 S 8/2009 Nerskov  
 D622,114 S 8/2010 Balliet  
 7,918,426 B2 4/2011 Short et al.  
 D645,902 S 9/2011 Tsai  
 D654,350 S 2/2012 Preda  
 8,141,836 B2 3/2012 Saez et al.  
 D667,249 S 9/2012 London  
 D667,288 S 9/2012 Preda  
 D667,718 S 9/2012 Preda  
 D684,033 S 6/2013 Preda  
 D710,340 S 8/2014 Wengreen et al.  
 D710,363 S \* 8/2014 Wengreen ..... D14/432  
 D730,719 S 6/2015 Sundberg  
 D732,939 S 6/2015 Cannaverde  
 D734,305 S 7/2015 Wengreen  
 D735,174 S 7/2015 Wengreen  
 D737,124 S 8/2015 Sasanecki  
 D746,122 S 12/2015 Stoops  
 D761,236 S \* 7/2016 Wengreen ..... D14/238.1  
 D764,256 S 8/2016 DeDios-Shirley et al.  
 D767,973 S 10/2016 DeDios-Shirley et al.  
 D773,836 S 12/2016 Eads  
 D777,167 S 1/2017 Wengreen  
 D803,030 S 11/2017 Wengreen

D820,665 S 6/2018 DeDios-Shirley et al.  
 D823,674 S 7/2018 Ng  
 D825,576 S 8/2018 Krupa et al.  
 2003/0155474 A1 8/2003 Dean et al.  
 2005/0023419 A1 2/2005 Frankel  
 2007/0235609 A1 10/2007 Chun et al.  
 2008/0296467 A1 12/2008 Havelock et al.  
 2009/0052128 A1 2/2009 Yeh et al.  
 2010/0299876 A1 12/2010 Kang  
 2012/0312950 A1 12/2012 Sears  
 2013/0105649 A1 5/2013 Wills et al.  
 2015/0264823 A1 9/2015 Shirley et al.

OTHER PUBLICATIONS

Amazon; HIDEit 4S Mount for PlayStation 4 Slim; <https://www.amazon.com/HIDEit-4S-Mount-PlayStation-Slim-Wall/dp/B01MDMJMYC>.  
 Relina Belen DeDios-Shirley, et al, Design U.S. Appl. No. 29/530,127, filed Jun. 12, 2015, issued Aug. 23, 2016.  
 Relina Belen DeDios-Shirley, et al, Design U.S. Appl. No. 29/530,129, filed Jun. 12, 2015, issued Oct. 4, 2016.  
 Relina Belen DeDios-Shirley, et al, Design U.S. Appl. No. 29/588,834, filed Dec. 23, 2016.  
 Relina Belen DeDios-Shirley, et al, Design U.S. Appl. No. 29/593,964, filed Feb. 14, 2017.  
 Relina Belen DeDios-Shirley, et al, Design U.S. Appl. No. 29/604,572, filed May 18, 2017.  
 Relina Belen DeDios-Shirley, et al, Design U.S. Appl. No. 29/611,079, filed Jul. 18, 2017.  
 HIDEit C-Amp Wall Mount, HIDEit Mounts, available on Amazon.  
 HIDEit Apple TV 3 Mount: Gateway, available on Amazon.  
 HIDEit Apple ATV Apr. 2015 Wall Mount for 4th Generation Apple TV, available on Amazon.

\* cited by examiner

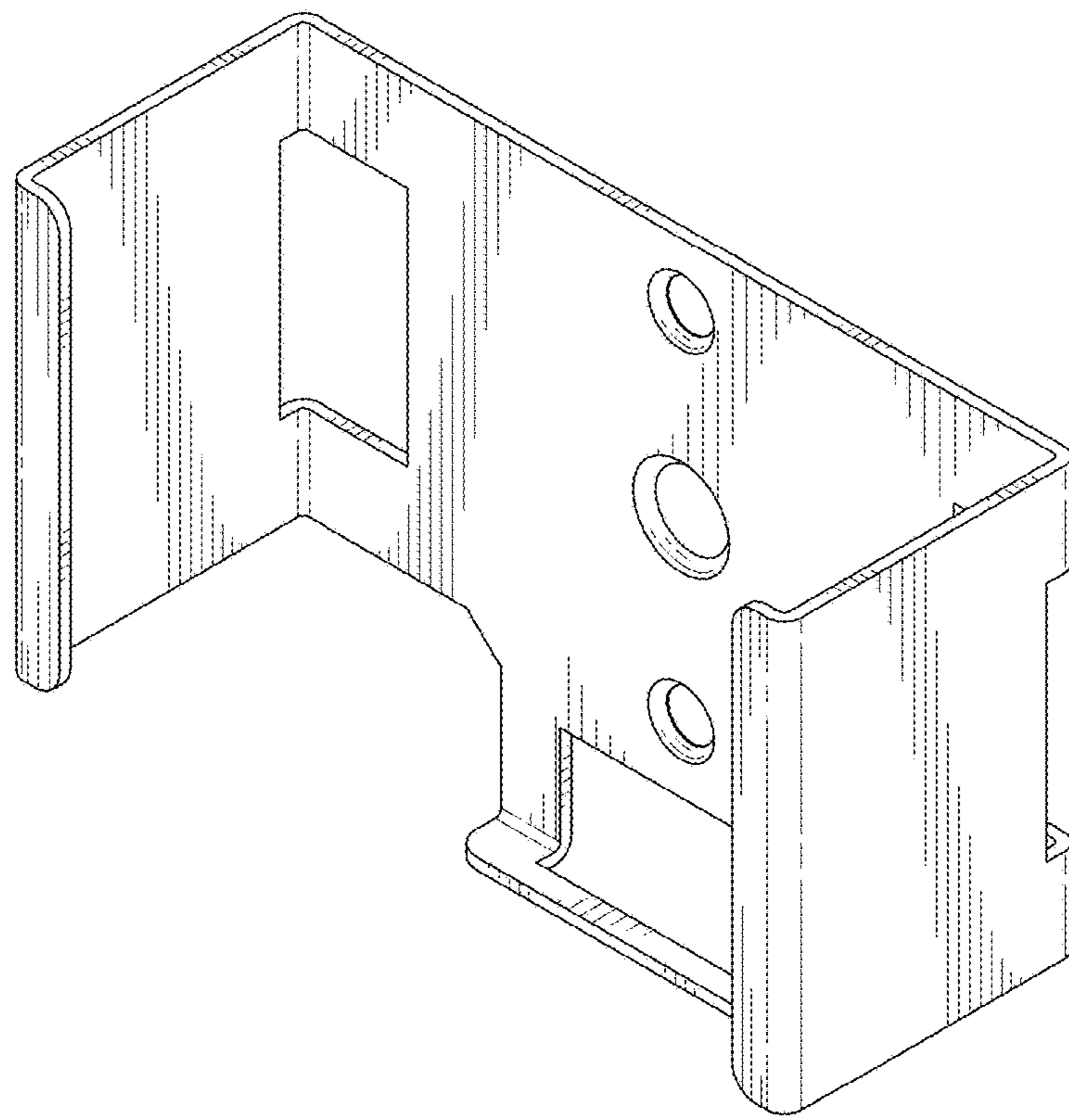


FIG. 1

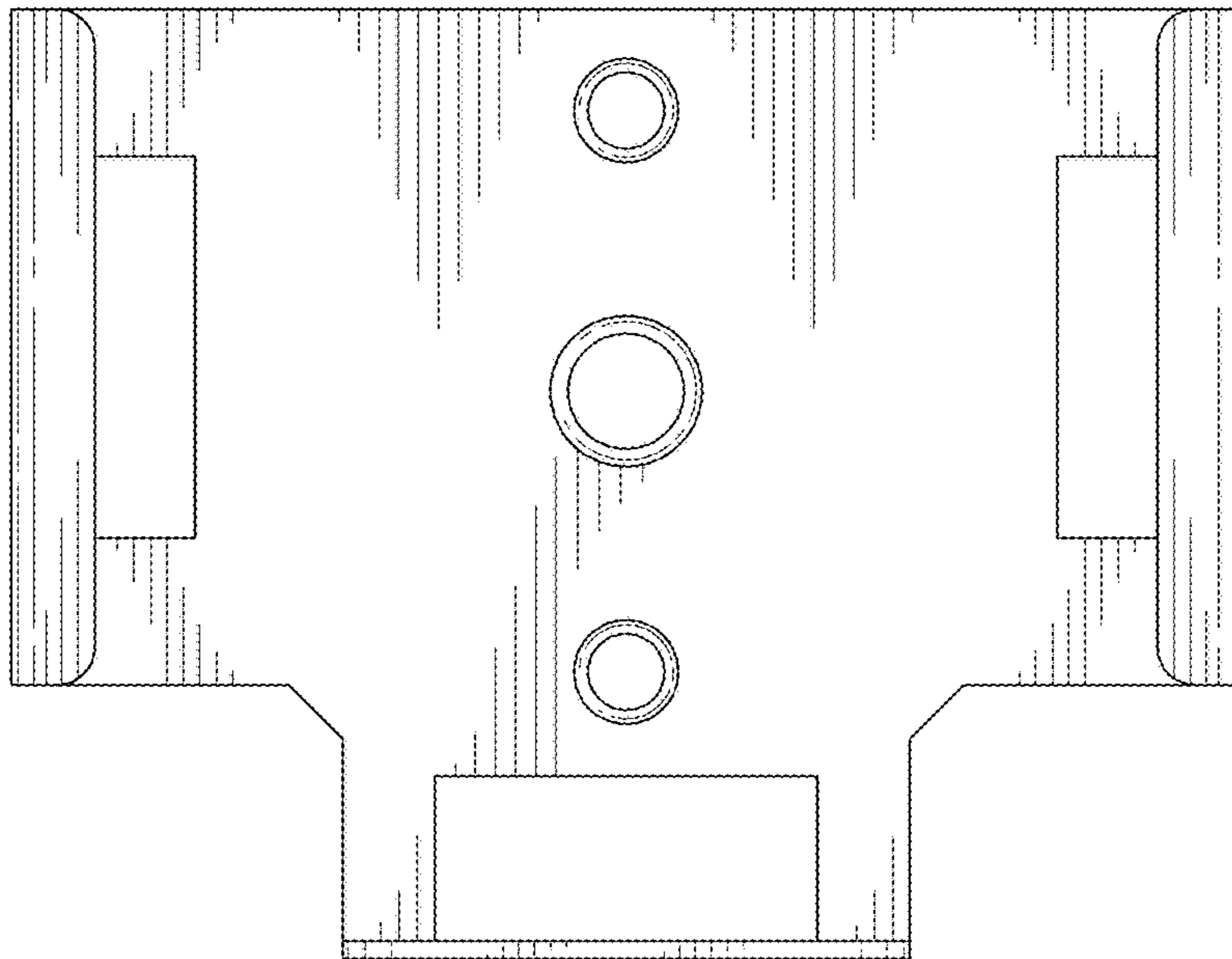


FIG. 2

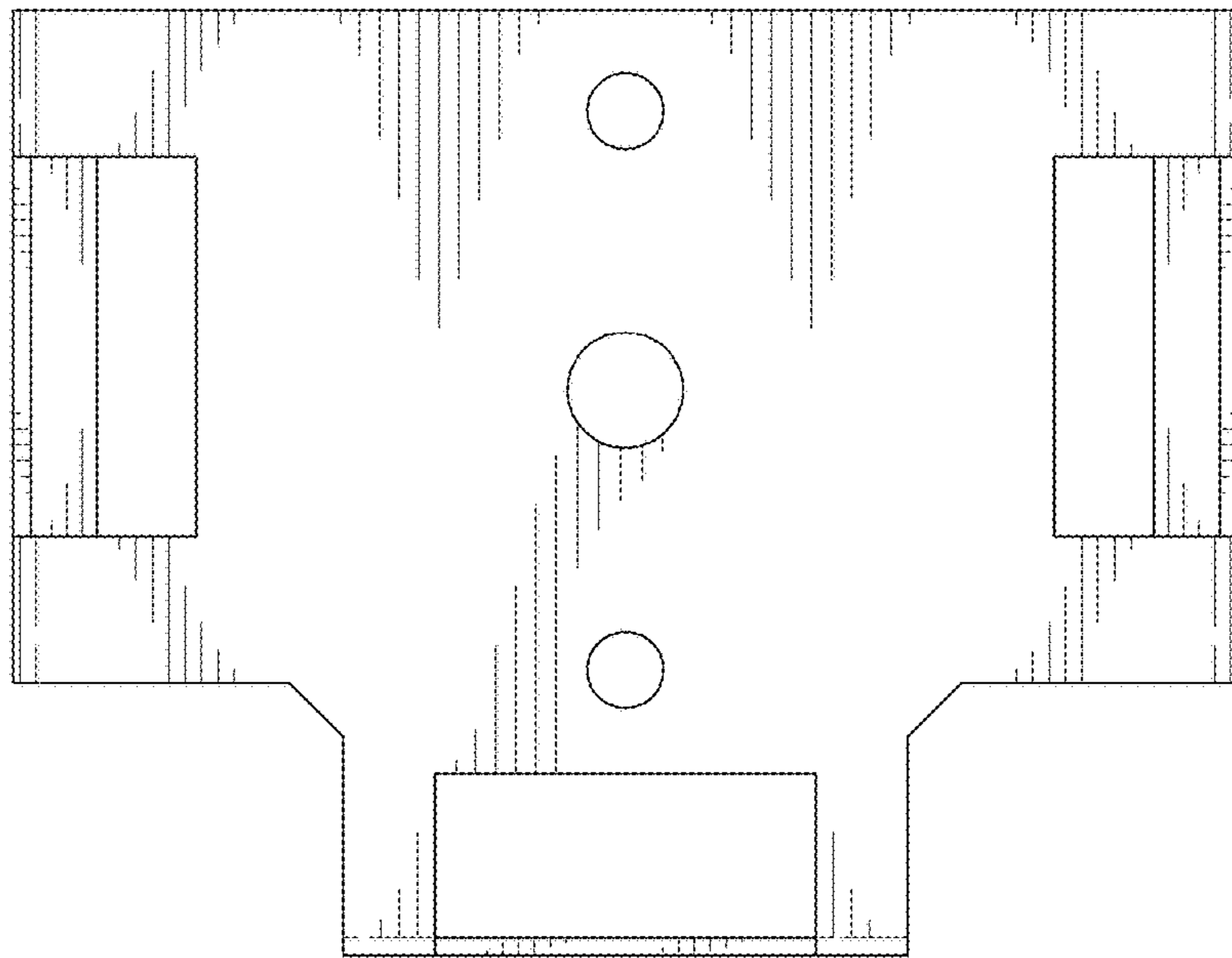


FIG. 3

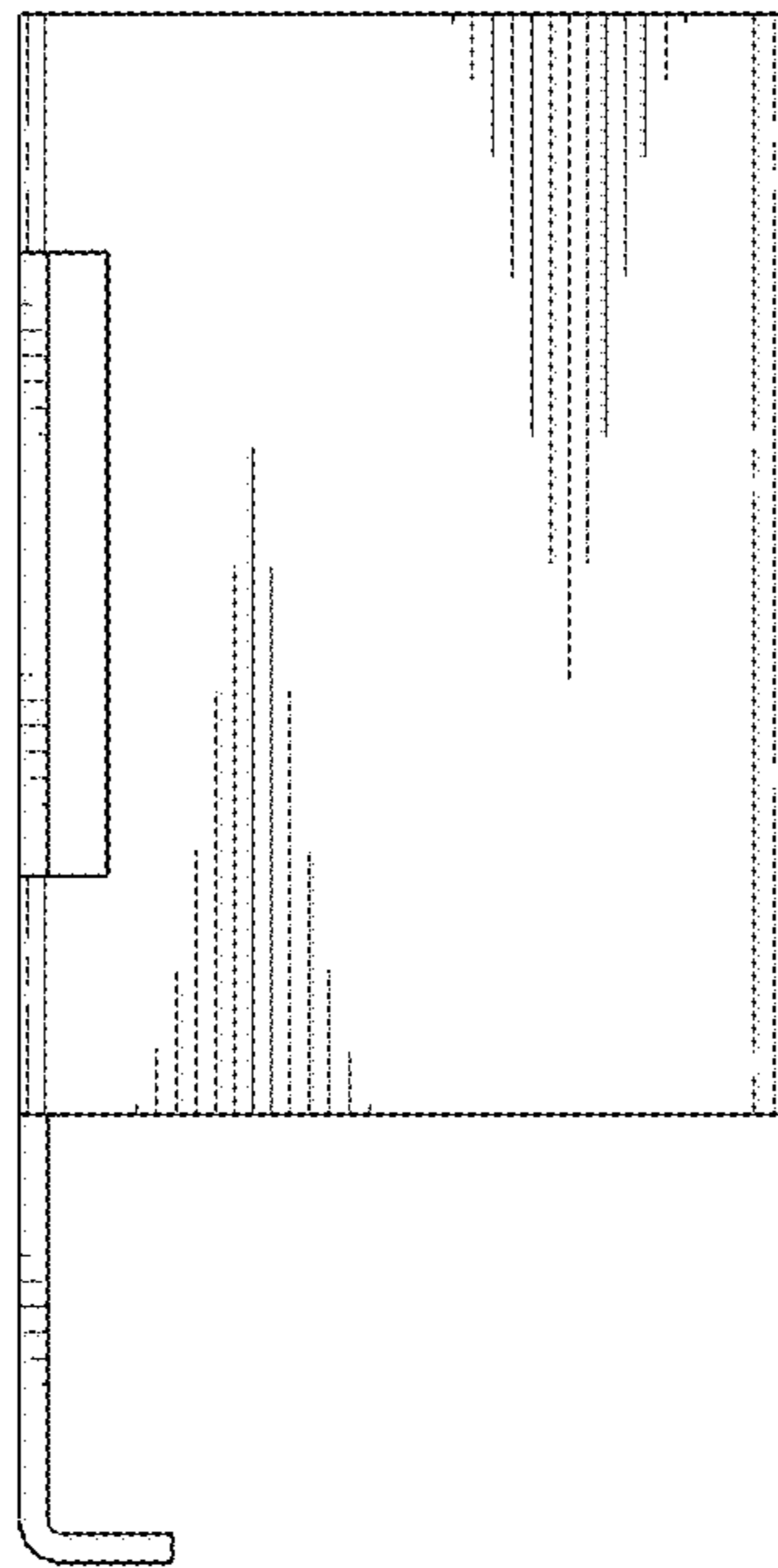


FIG. 4

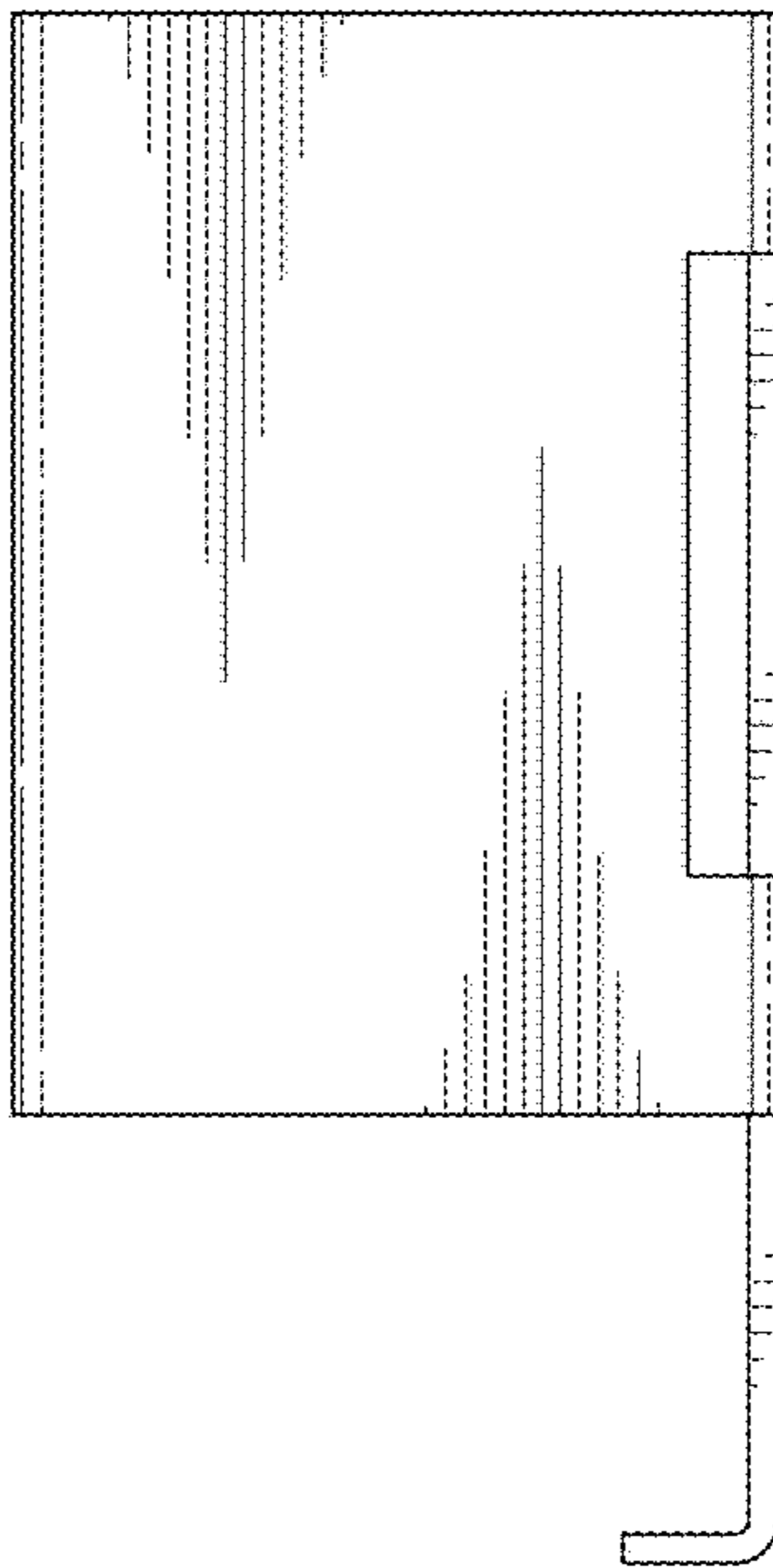


FIG. 5

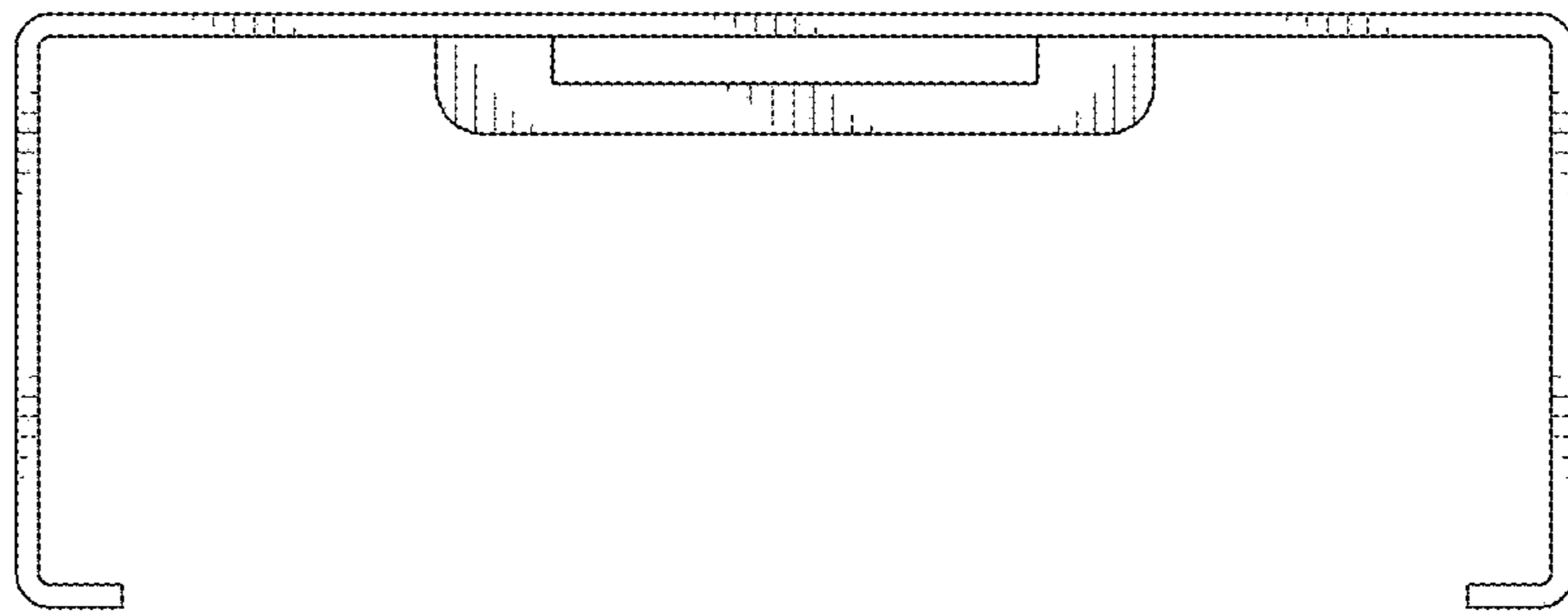


FIG. 6



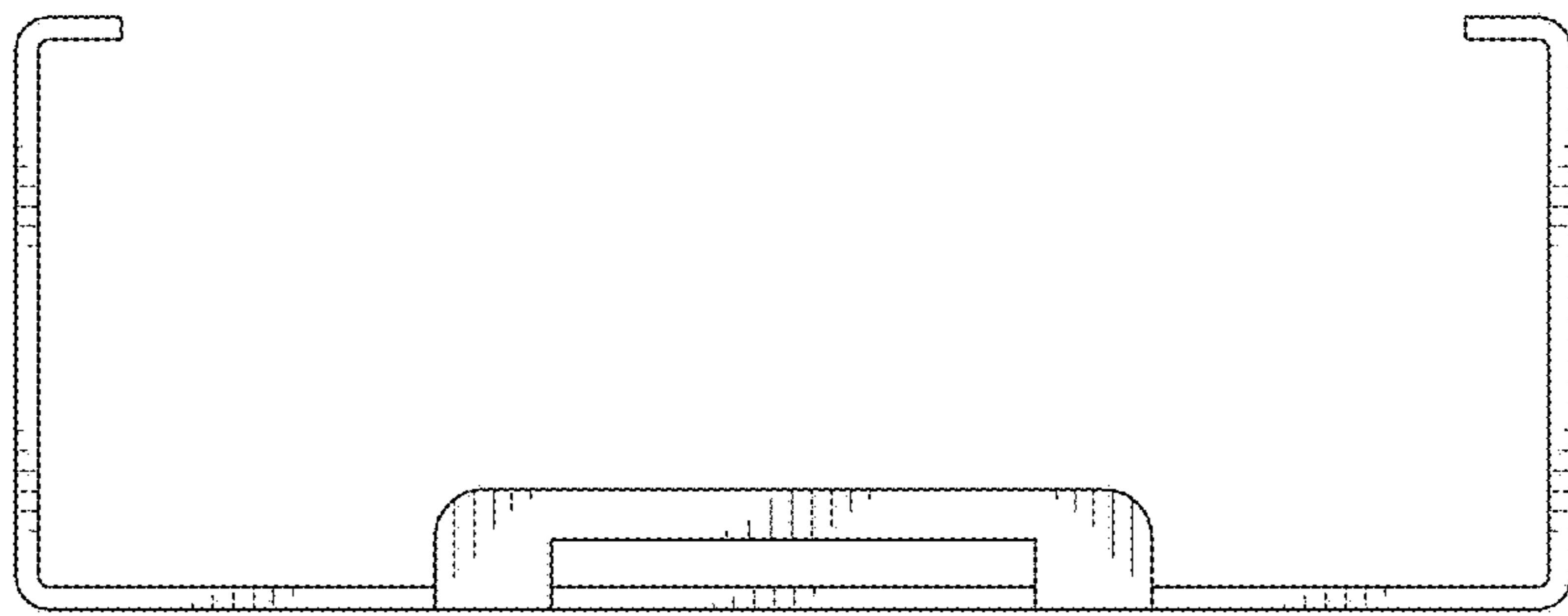


FIG. 7