



US00D863039S

(12) **United States Design Patent**
Kellar

(10) **Patent No.:** **US D863,039 S**

(45) **Date of Patent:** **** Oct. 15, 2019**

(54) **ADAPTER PLATE**

(71) Applicant: **Steven Kellar**, Millersburg, MI (US)

(72) Inventor: **Steven Kellar**, Millersburg, MI (US)

(**) Term: **15 Years**

(21) Appl. No.: **29/620,053**

(22) Filed: **Jun. 6, 2016**

(51) **LOC (12) Cl.** **08-05**

(52) **U.S. Cl.**
USPC **D8/354**

(58) **Field of Classification Search**
USPC D8/354, 376, 16, 17, 19, 37, 47, 71, 89,
D8/101, 363, 373, 377, 390, 391, 404;
D6/512, 524, 528, 534, 672, 680.1, 680.2,
D6/705.7, 708.25; D25/38.1, 119, 122,
D25/123; D10/49
CPC A47G 33/004; A47H 1/00; A47H 13/00;
A47H 15/00; B44C 1/18; B44C 5/02;
B44C 5/04; B44C 5/0415; E01B 11/00;
B04B 13/00; B04B 13/003; B04B
2013/006; B04B 1/06
See application file for complete search history.

(56) **References Cited**

U.S. PATENT DOCUMENTS

2,716,576 A * 8/1955 Nordone E04G 7/305
403/49
D219,319 S * 11/1970 Rademacher D6/672
D235,722 S * 7/1975 Retlick D25/119
D294,906 S * 3/1988 Pool D6/531
D299,619 S * 1/1989 Davis D8/376
D332,711 S * 1/1993 Olson D6/672
5,279,485 A * 1/1994 Georges F16L 3/227
174/41
5,731,660 A * 3/1998 Jaskie H01J 9/242
313/257
D460,681 S * 7/2002 Edwards D8/354

6,578,218 B2 * 6/2003 Wassilefsky A47C 20/021
5/630
D480,948 S * 10/2003 Patrizzi D8/354
D483,653 S * 12/2003 Immerman D8/354
7,017,215 B1 * 3/2006 Singer A47C 20/023
5/646
D549,555 S * 8/2007 Ignagni D8/354
D561,561 S * 2/2008 Wohlford D8/354
7,600,450 B2 * 10/2009 Montgomery E21B 19/07
175/423

(Continued)

OTHER PUBLICATIONS

Cheetah3D User Forum Cheetah3D General Extrude a sharp rectangle from a cylinder, posted Jul. 14, 2011, [retrieved Mar. 9, 2018]. Retrieved from Internet, <URL: <https://www.cheetah3d.com/forum/showthread.php?t=7480> >.*

(Continued)

Primary Examiner — Barbara Fox
Assistant Examiner — Kristin E Reed
(74) *Attorney, Agent, or Firm* — Lewis Roca Rothgerber Christie LLP

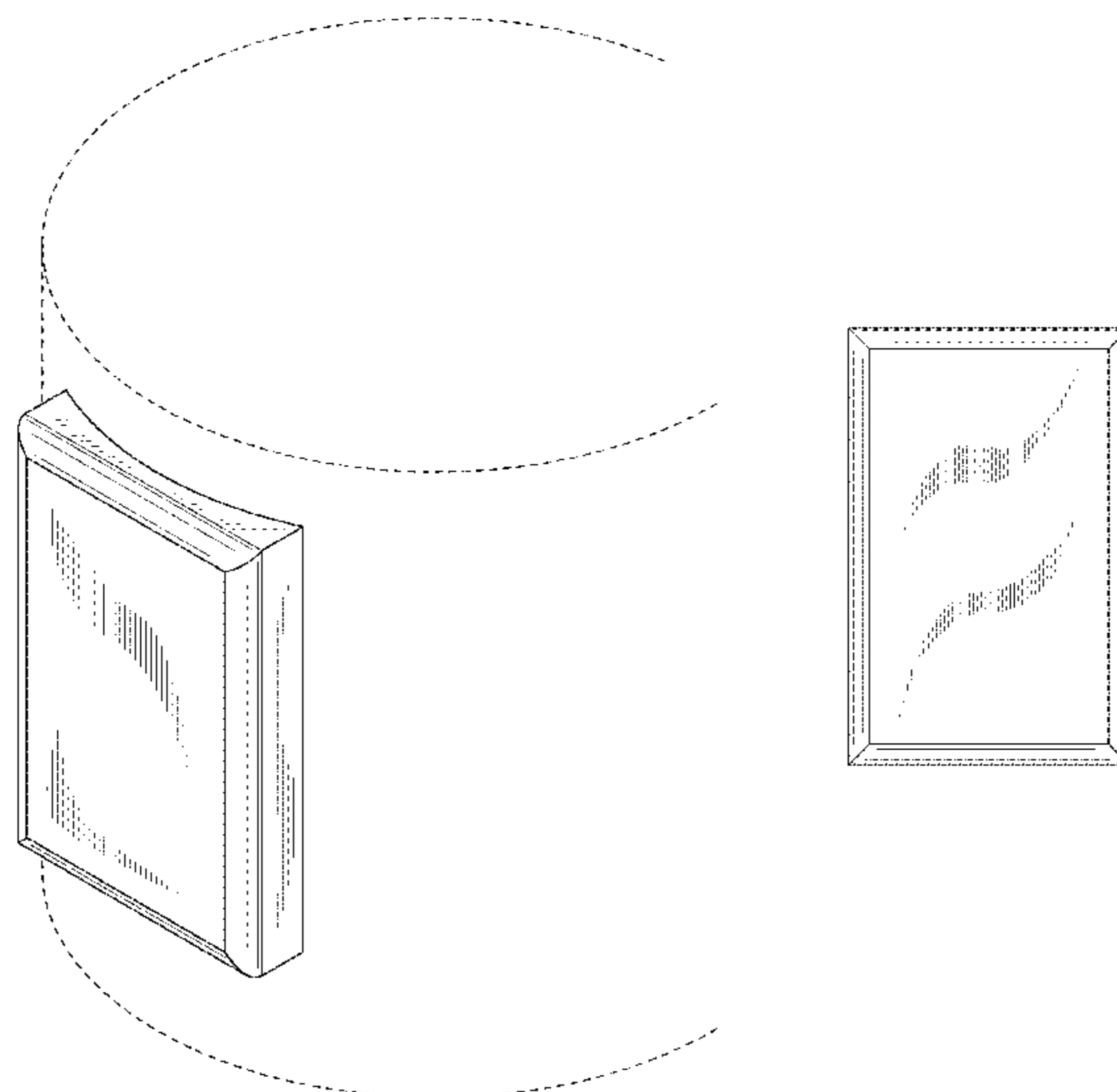
(57) **CLAIM**

I claim the ornamental design for an adapter plate, as shown and described.

DESCRIPTION

FIG. 1 is a perspective view of an adapter plate showing my new design;
FIG. 2 is a front view of the adapter plate;
FIG. 3 is a rear view of the adapter plate;
FIG. 4 is a left side view of the adapter plate;
FIG. 5 is a right side view of the adapter plate;
FIG. 6 is a top view of the adapter plate; and,
FIG. 7 is a bottom view of the adapter plate.
The broken lines shown in the drawings depict an environment of use that forms no part of the claimed design.

1 Claim, 2 Drawing Sheets



(56)

References Cited

U.S. PATENT DOCUMENTS

8,869,481 B2 * 10/2014 Dzigava B44C 1/28
52/311.2
D718,456 S * 11/2014 McNamee D24/171
9,498,369 B2 * 11/2016 Kilbey A61F 5/3738
D778,432 S * 2/2017 Sanders D24/110.5
D797,922 S * 9/2017 Sanders D24/110.5
D809,904 S * 2/2018 Smith D8/368
2002/0088057 A1 * 7/2002 Wassilefsky A47C 20/021
5/648

OTHER PUBLICATIONS

Flo-Tone Trainer, Helping patients to improve their inhaler technique, posted Feb. 2013, [retrieved Mar. 9, 2018]. Retrieved from Internet, <URL: <https://www.haag-streit.com/clement-clarke/products/inhaler-technique/flo-tone-trainer/>>.*

Rectangular Top Block Base Only (size RTBO3), posted unknown, [retrieved Mar. 9, 2018]. Retrieved from Internet, <URL: <https://www.halwoodworking.com/product/rectangular-top-block-base-only-size-3/>>.*

* cited by examiner

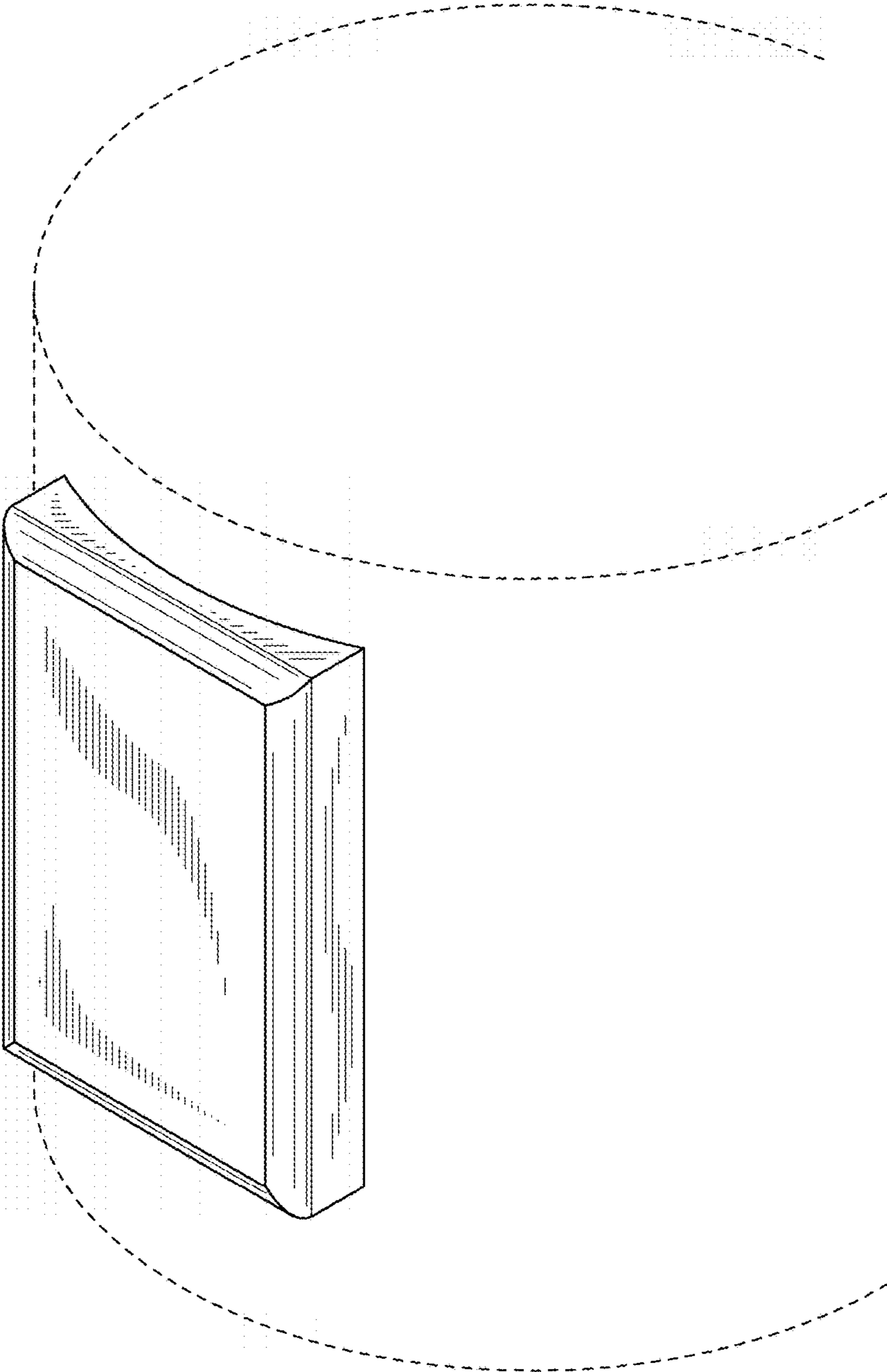


FIG. 1

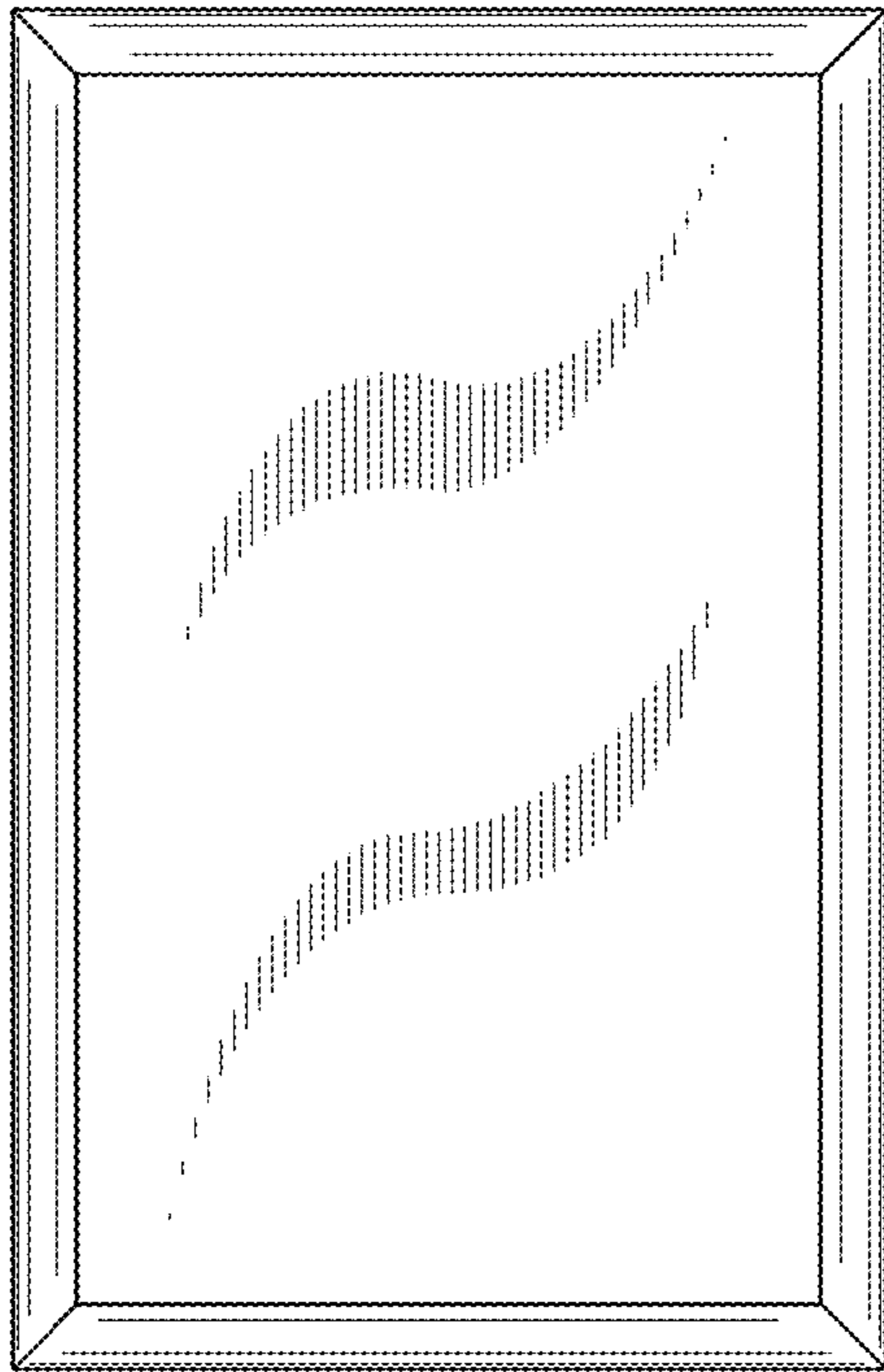


FIG. 2

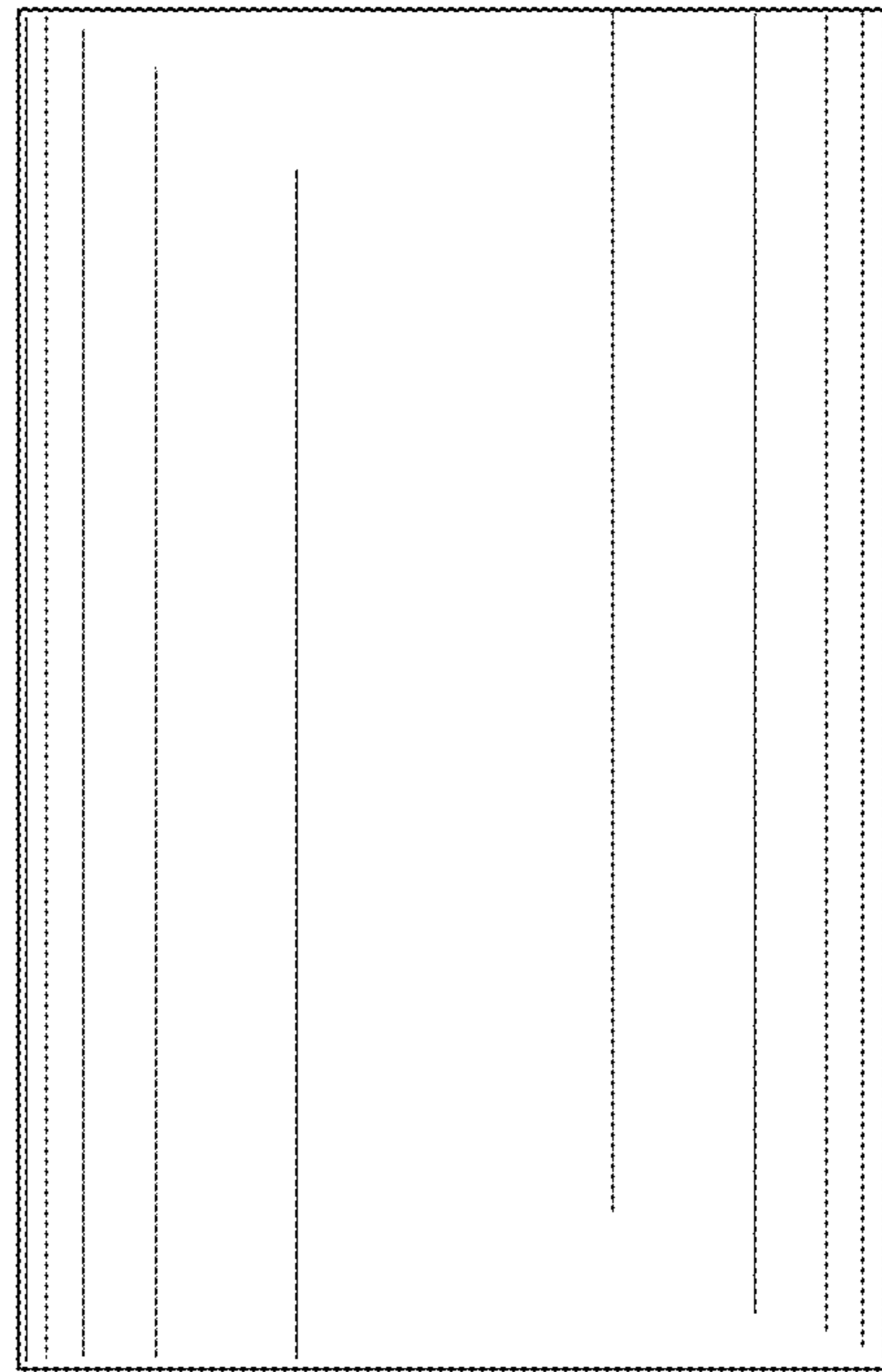


FIG. 3

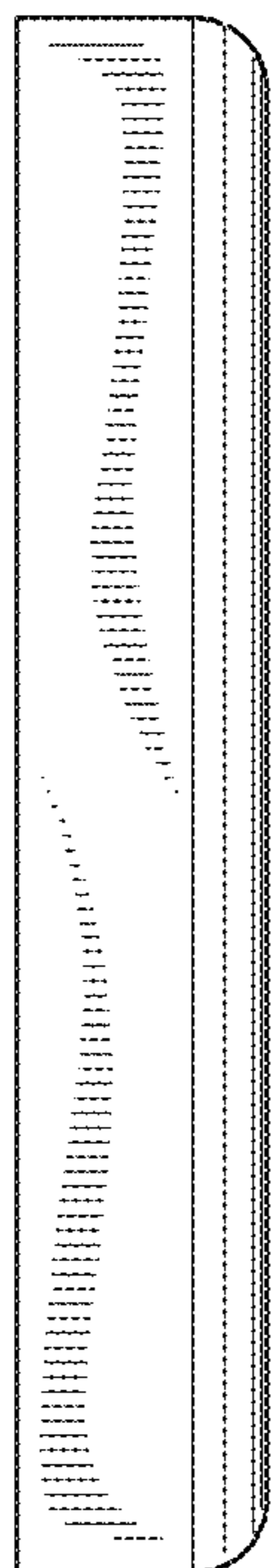


FIG. 4

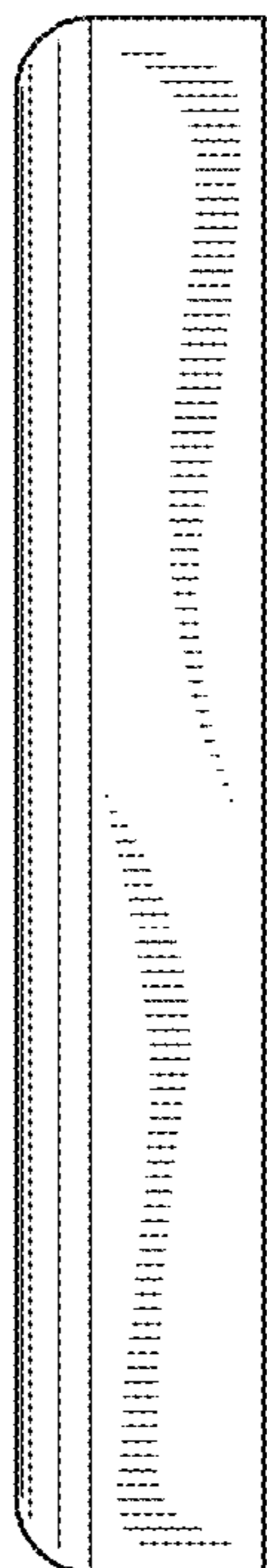


FIG. 5

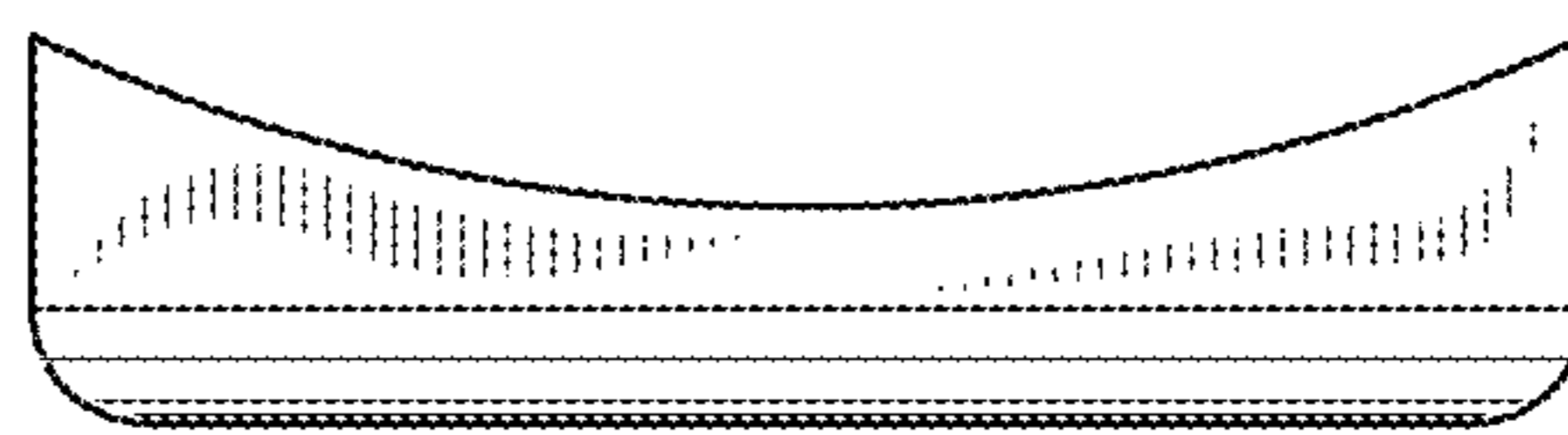


FIG. 6

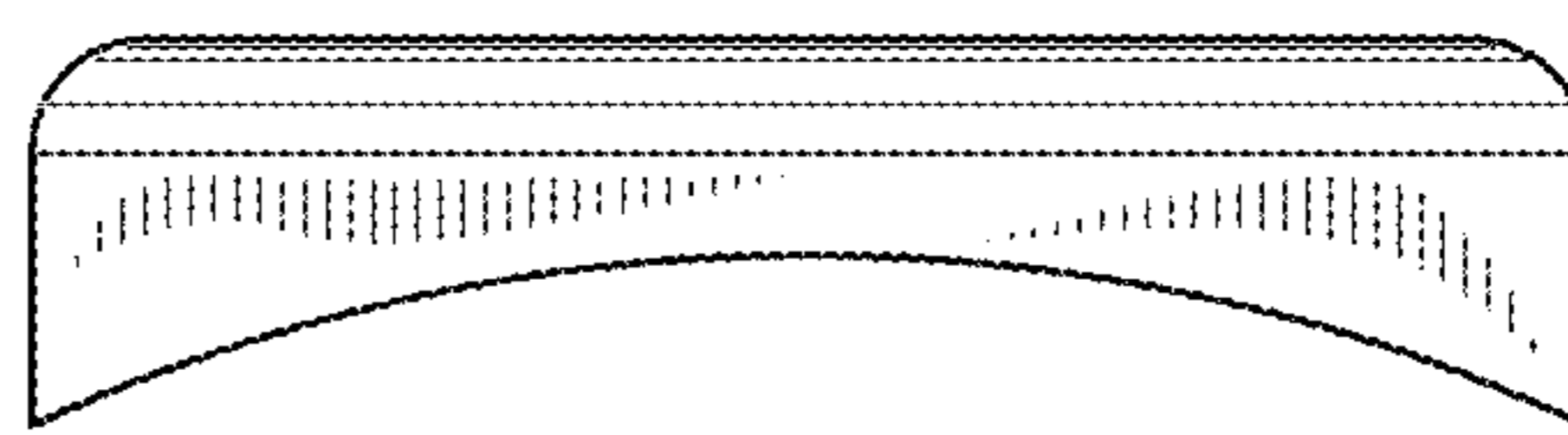


FIG. 7