



US00D863037S

(12) **United States Design Patent**  
**Eriksson**

(10) **Patent No.:** **US D863,037 S**

(45) **Date of Patent:** **\*\* Oct. 15, 2019**

- (54) **KEY**
- (71) Applicant: **Thule Sweden AB**, Hillerstorp (SE)
- (72) Inventor: **Henrik Eriksson**, Jönköping (SE)
- (73) Assignee: **Thule Sweden AB**, Hillerstorp (SE)
- (\*\*) Term: **15 Years**

- D444,051 S \* 6/2001 Finch ..... D8/347
- D461,047 S \* 8/2002 Peterson ..... D3/208
- 6,669,017 B2 \* 12/2003 Linihan ..... A44B 15/005  
206/305
- D493,493 S \* 7/2004 Howard ..... D20/27
- D495,238 S \* 8/2004 Handel ..... D8/347
- D495,584 S \* 9/2004 Su ..... D8/347
- D496,848 S \* 10/2004 Freeman ..... D8/347
- D505,783 S \* 6/2005 Wysopal ..... D3/211

(Continued)

- (21) Appl. No.: **29/640,388**
- (22) Filed: **Mar. 14, 2018**
- (51) **LOC (12) Cl.** ..... **08-07**
- (52) **U.S. Cl.**  
USPC ..... **D8/347**
- (58) **Field of Classification Search**  
USPC ..... D8/347, 348  
CPC ..... E05B 19/00; E05B 19/20; E05B 19/04;  
E05B 19/0017; E05B 13/00; E05B 11/00;  
E05B 17/00  
See application file for complete search history.

**OTHER PUBLICATIONS**

“Thule 6-Pack Lock Cylinder 596,” Thule.com, <[https://web.archive.org/web/20160610201852/https://www.thule.com/en-us/us/roof-rack/accessories/thule-6-pack-lock-cylinder-596-\\_ -1056](https://web.archive.org/web/20160610201852/https://www.thule.com/en-us/us/roof-rack/accessories/thule-6-pack-lock-cylinder-596-_ -1056)>, dated Jun. 10, 2016.

(Continued)

*Primary Examiner* — John Windmuller  
*Assistant Examiner* — Steven J Czyz  
(74) *Attorney, Agent, or Firm* — Sterne, Kessler, Goldstein & Fox P.L.L.C.

(56) **References Cited**

**U.S. PATENT DOCUMENTS**

- D206,397 S \* 12/1966 Ohno et al. .... D8/347
- 3,349,589 A \* 10/1967 Fricke ..... E05B 19/04  
24/576.1
- D213,587 S \* 3/1969 Unter et al. .... D8/347
- D252,732 S \* 8/1979 Price ..... D8/347
- 4,516,000 A \* 5/1985 Ryberg ..... E05B 17/002  
200/302.1
- 5,083,662 A \* 1/1992 Bishop ..... E05B 19/24  
206/37.1
- 5,113,602 A \* 5/1992 Levine ..... G09F 3/08  
40/330
- 5,181,605 A \* 1/1993 Bishop ..... E05B 19/24  
206/37.1
- D333,973 S \* 3/1993 Eizen ..... D8/347
- D357,622 S \* 4/1995 Boutin ..... D8/347
- D422,883 S \* 4/2000 Markbreit ..... D8/347
- D424,911 S \* 5/2000 Geringer ..... D8/347
- D425,777 S \* 5/2000 Geringer ..... D8/347

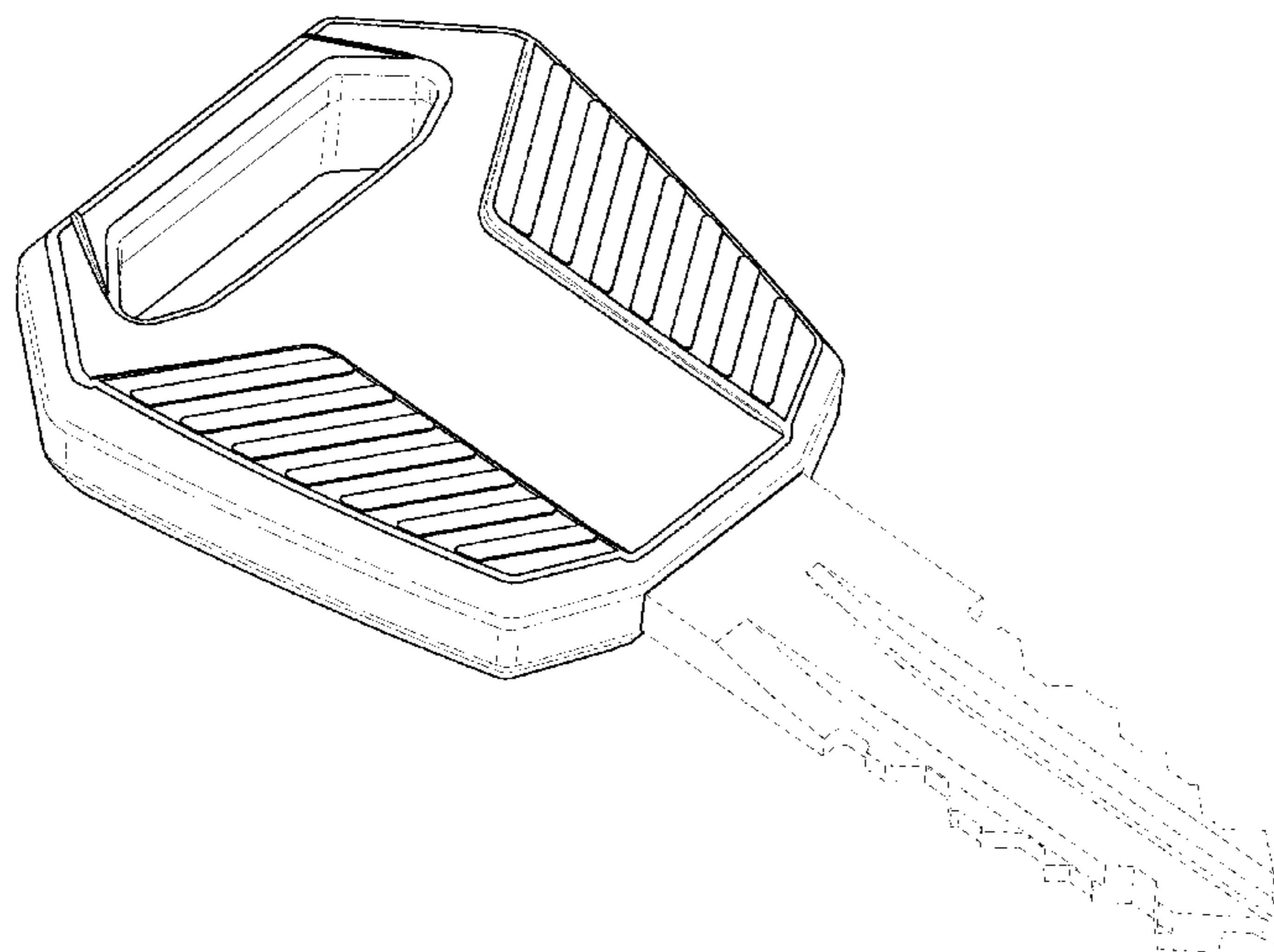
(57) **CLAIM**

The ornamental design for a key, as shown and described.

**DESCRIPTION**

FIG. 1 is a front perspective view of a key showing the claimed design;  
FIG. 2 is a side perspective thereof;  
FIG. 3 is a front view thereof;  
FIG. 4 is a rear view thereof;  
FIG. 5 is a bottom view thereof;  
FIG. 6 is a top view thereof;  
FIG. 7 is a left side view thereof; and,  
FIG. 8 is a right side view thereof.  
The broken lines in the figures show portions of the key that form no part of the claimed design.

**1 Claim, 8 Drawing Sheets**



(56)

**References Cited**

U.S. PATENT DOCUMENTS

D508,863	S *	8/2005	Wallenberg	.....	D10/106.1
D512,902	S *	12/2005	Neset	.....	D8/347
D514,428	S *	2/2006	Neset	.....	D8/347
D514,921	S *	2/2006	Kosasih	.....	D8/347
D515,402	S *	2/2006	Wilhelm	.....	D8/347
7,166,812	B2 *	1/2007	White	.....	B29C 45/14639 200/293
D538,134	S *	3/2007	Kamiki	.....	D8/347
D569,227	S *	5/2008	Boenisch	.....	D8/347
D570,196	S *	6/2008	McKinnon	.....	D8/347
D579,318	S *	10/2008	Davis	.....	D8/347
D625,578	S *	10/2010	Gao	.....	D8/347
D635,006	S *	3/2011	Heikinmatti	.....	D8/347
D678,038	S *	3/2013	Schindler	.....	D8/347
D713,238	S *	9/2014	Kumada	.....	D8/347
D725,996	S *	4/2015	Pellegrini	.....	D8/347
D733,523	S *	7/2015	Kobayashi	.....	D8/347
D761,081	S *	7/2016	Yamada	.....	D8/347
D782,900	S *	4/2017	Mendoza	.....	D8/347
9,611,673	B1 *	4/2017	Vo	.....	E05B 19/0082
9,807,704	B2 *	10/2017	Hermann	.....	H04B 1/3827
D810,200	S *	2/2018	Adelman	.....	D20/22
10,094,144	B2 *	10/2018	Adelman	.....	E05B 19/24
10,138,655	B2 *	11/2018	Borenstein	.....	A47G 29/10

OTHER PUBLICATIONS

“Thule 4-Pack Lock Cylinder 544,” Thule.com, <<https://www.thule.com/en-us/us/roof-rack/accessories/thule-4-pack-lock-cylinder-544--1037>>, accessed May 22, 2018.

\* cited by examiner

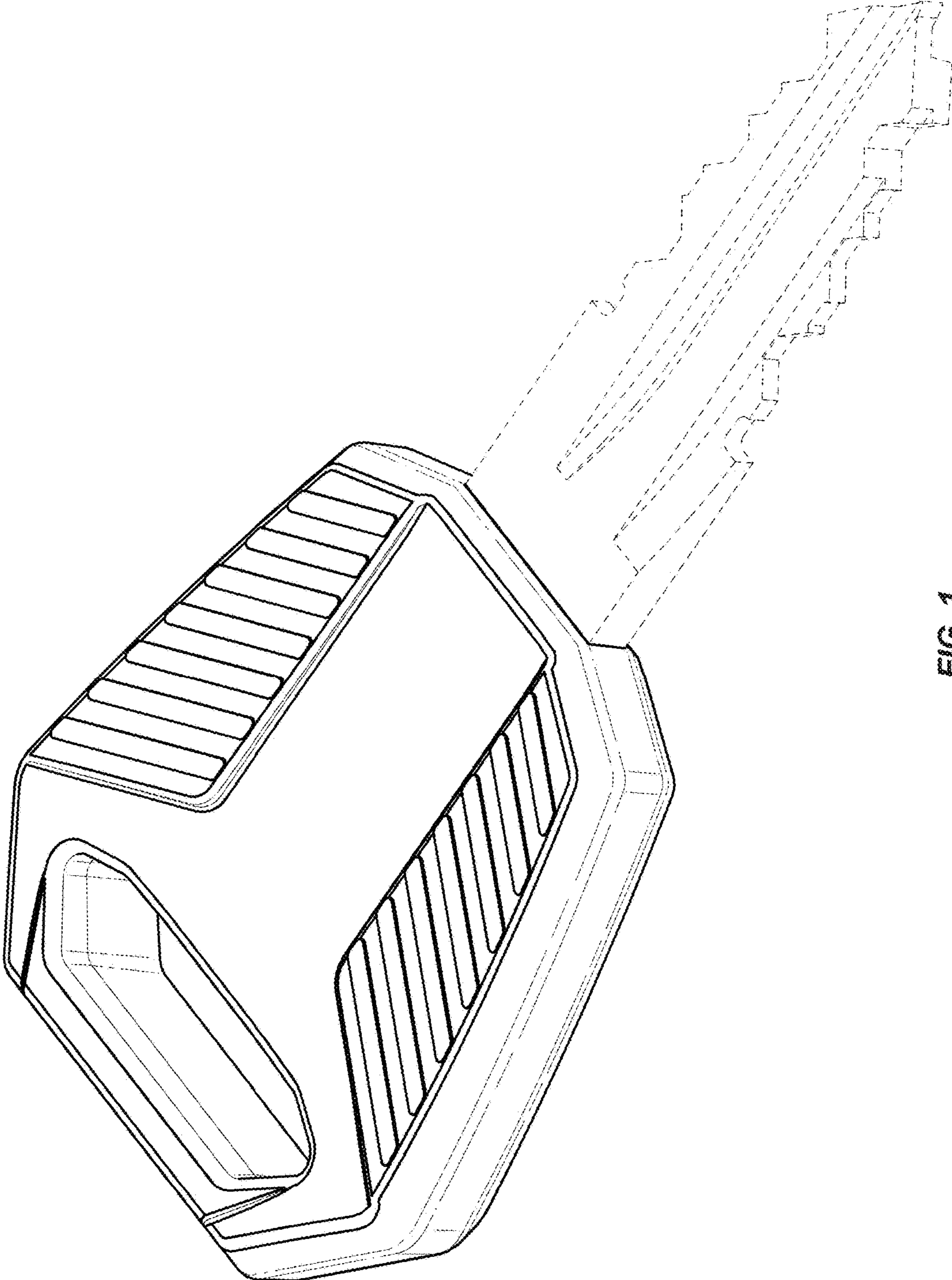


FIG. 1

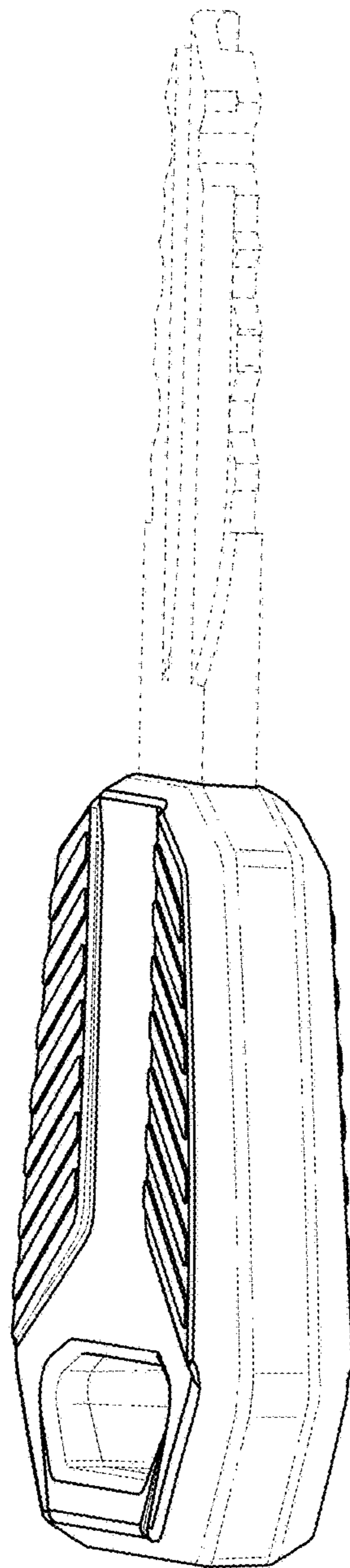


FIG. 2

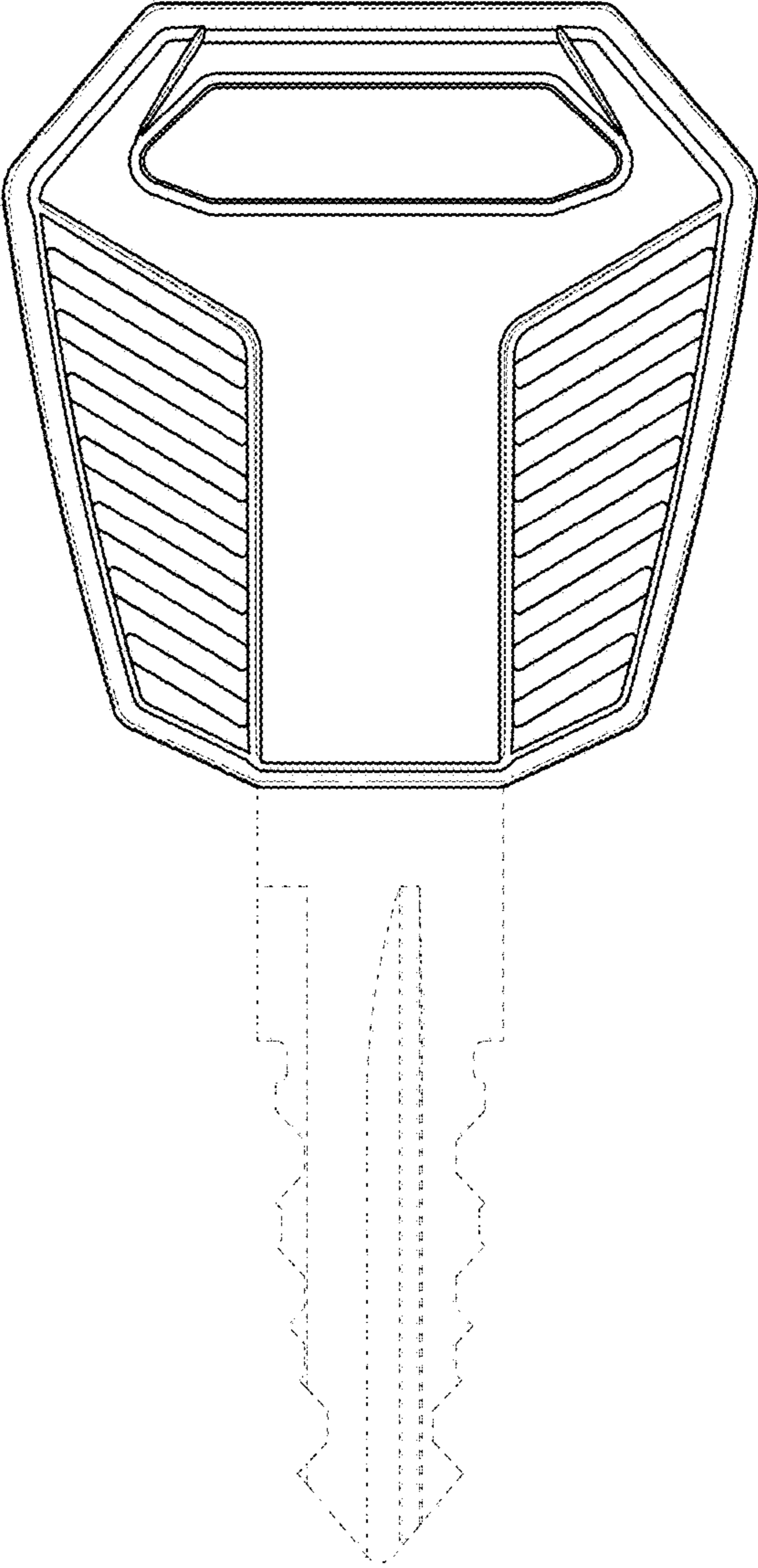


FIG. 3

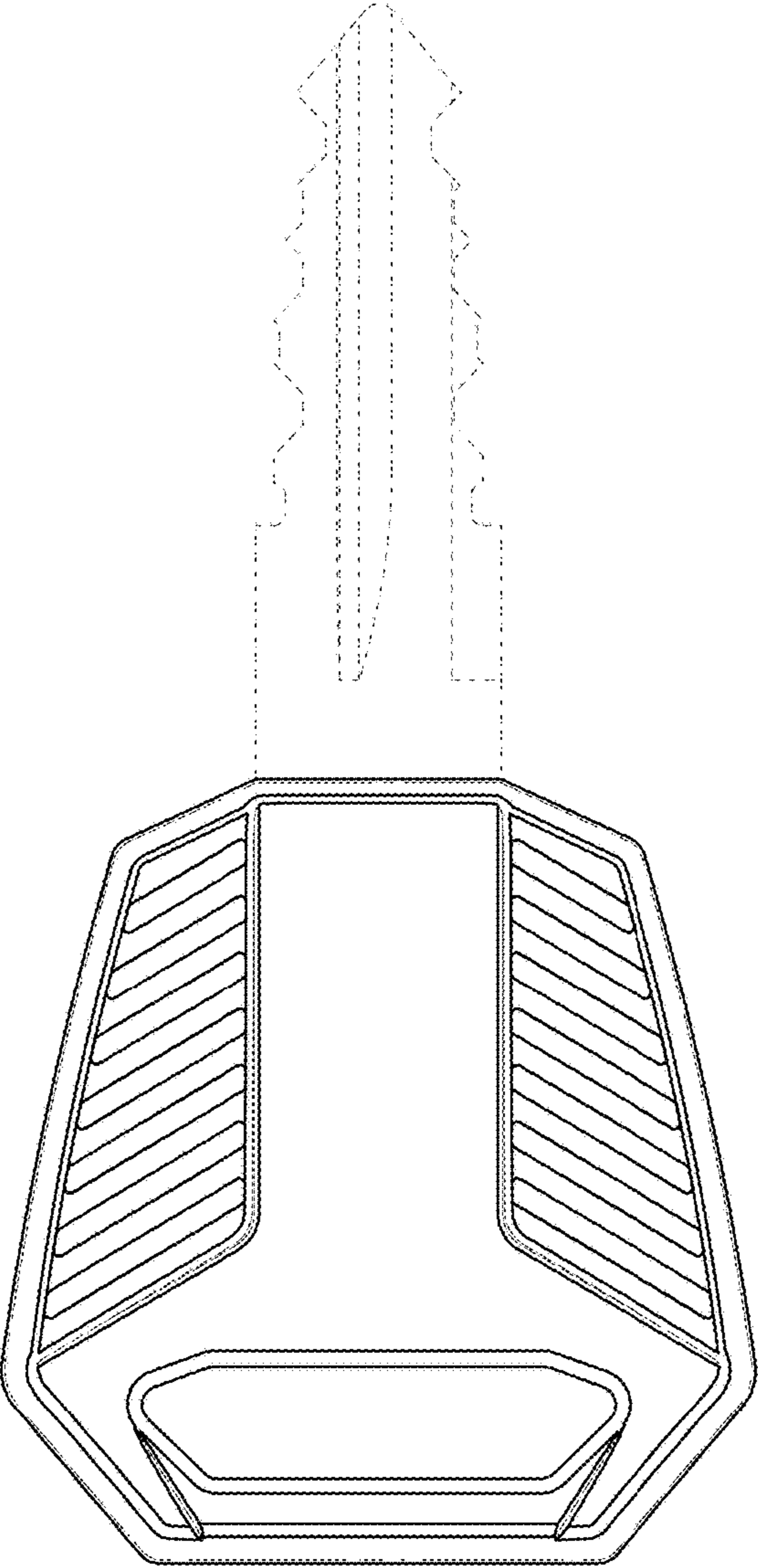


FIG. 4

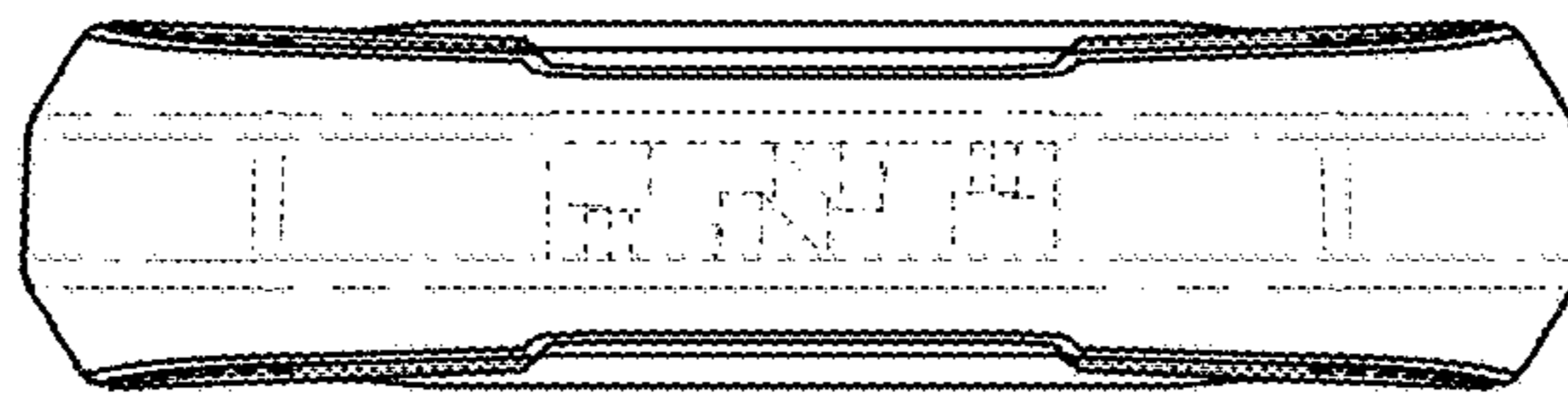


FIG. 5

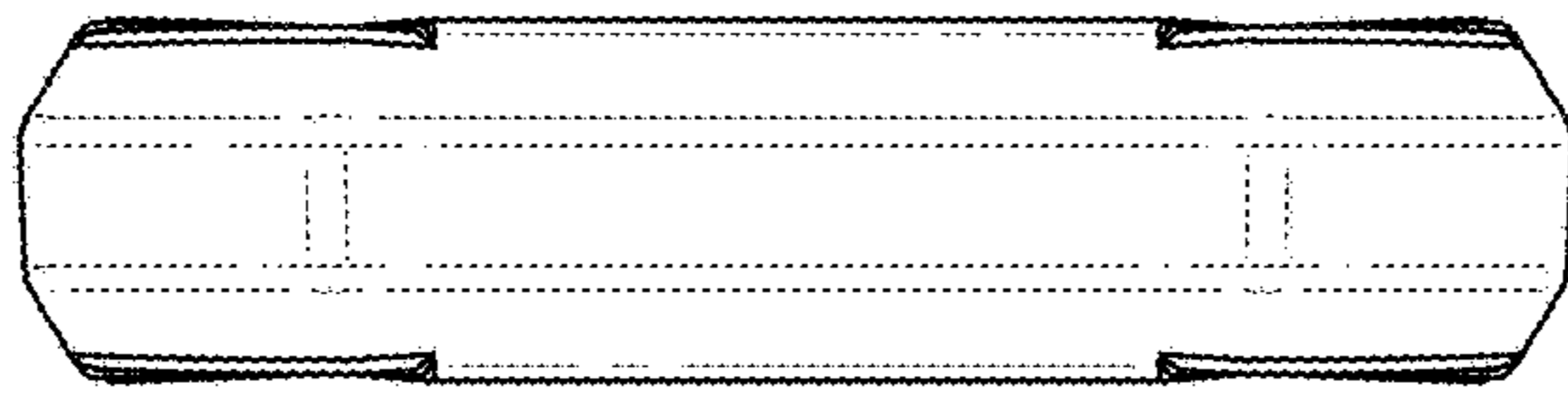


FIG. 6



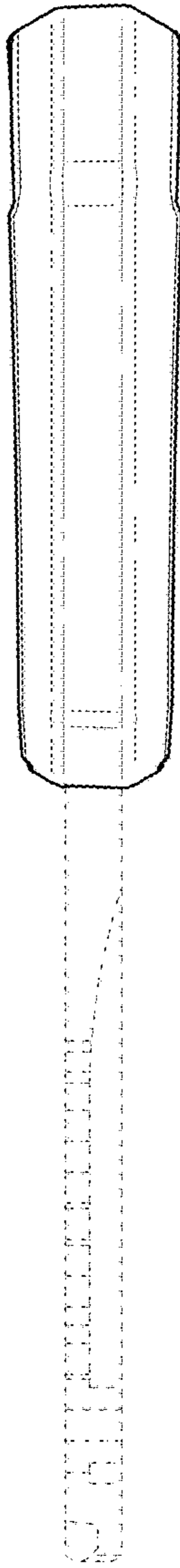


FIG. 7

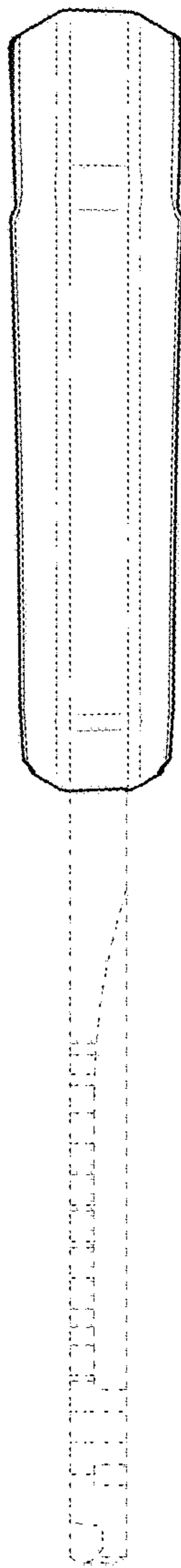


FIG. 8