



US00D863036S

(12) **United States Design Patent** (10) **Patent No.:** **US D863,036 S**  
**Llewellyn et al.** (45) **Date of Patent:** **\*\* \*Oct. 15, 2019**

(54) **TRANSPORT-CONTAINER LOCK**  
(71) Applicant: **Bluewater Resources LLC**, Cotulla, TX (US)  
(72) Inventors: **Jake Llewellyn**, Cotulla, TX (US); **Alexander Villareal**, San Antonio, TX (US)  
(\* ) Notice: This patent is subject to a terminal disclaimer.  
(\*\*) Term: **15 Years**

9,309,701 B2 \* 4/2016 Jeffries ..... B25H 3/02  
D789,770 S \* 6/2017 Reeb ..... D8/330  
9,821,965 B2 \* 11/2017 Wolfe ..... B65G 51/44  
D811,196 S \* 2/2018 Llewellyn ..... D8/330  
D811,197 S \* 2/2018 Llewellyn ..... D8/330  
D817,147 S \* 5/2018 Llewellyn ..... D8/330

\* cited by examiner

*Primary Examiner* — Ian Simmons  
*Assistant Examiner* — Yolanda Robinson  
(74) *Attorney, Agent, or Firm* — D. Tiller Law PLLC;  
Donald Tiller

(21) Appl. No.: **29/633,631**  
(22) Filed: **Jan. 15, 2018**

**Related U.S. Application Data**

(63) Continuation-in-part of application No. 29/594,140, filed on Feb. 15, 2017, now Pat. No. Des. 811,196.  
(51) **LOC (12) Cl.** ..... **08-07**  
(52) **U.S. Cl.**  
USPC ..... **D8/346**  
(58) **Field of Classification Search**  
USPC ..... D8/400, 330, 331, 333, 336, 339, D8/343–346; 70/14, 57, 57.1, 64, 67, 69, 70/70, 77, 333 R, 466  
CPC ..... E05C 3/16; E05C 3/00; E05C 3/12; B65F 1/615; B65F 1/14  
See application file for complete search history.

(57) **CLAIM**

The ornamental design for a transport-container lock, as shown and described.

**DESCRIPTION**

FIG. 1 is a front perspective view of a transport-container lock.  
FIG. 2 is a front view of the transport-container lock.  
FIG. 3 is a rear view of the transport-container lock.  
FIG. 4 is a right-side view of the transport-container lock.  
FIG. 5 is a left-side view of the transport-container lock.  
FIG. 6 is a top view of the transport-container lock.  
FIG. 7 is a bottom view of the transport-container lock; and, FIG. 8 is a rear perspective view of the transport-container lock.

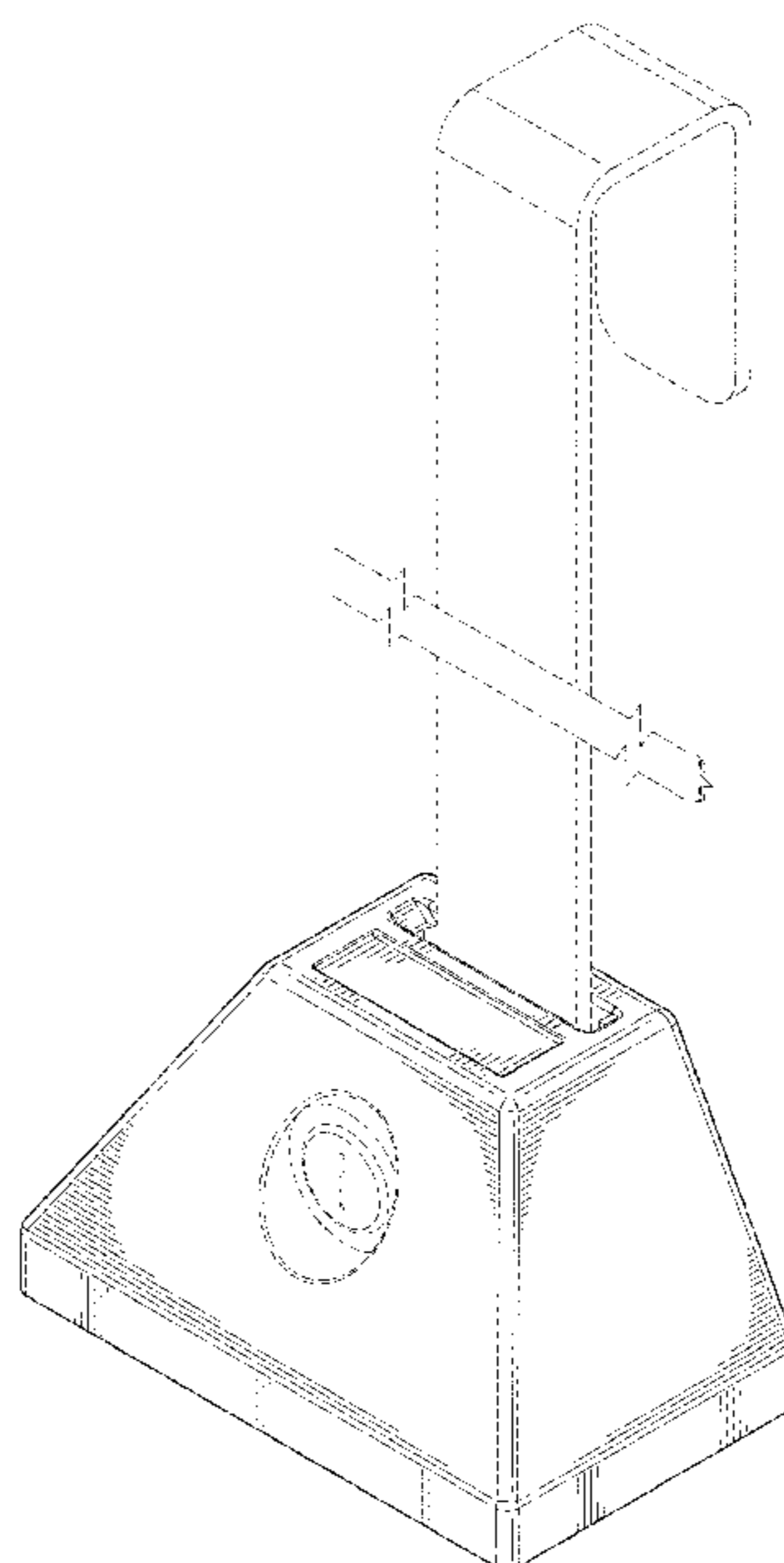
The broken lines shown form no part of the claimed design. The broken lines in FIG. 1 illustrate environment only and form no part of the claimed design. None of the broken lines form any part of the claimed design.

(56) **References Cited**

**U.S. PATENT DOCUMENTS**

3,966,075 A \* 6/1976 Schultz ..... B65D 88/005  
220/1.5  
4,184,708 A \* 1/1980 Allen ..... B65D 90/146  
294/67.1

**1 Claim, 8 Drawing Sheets**



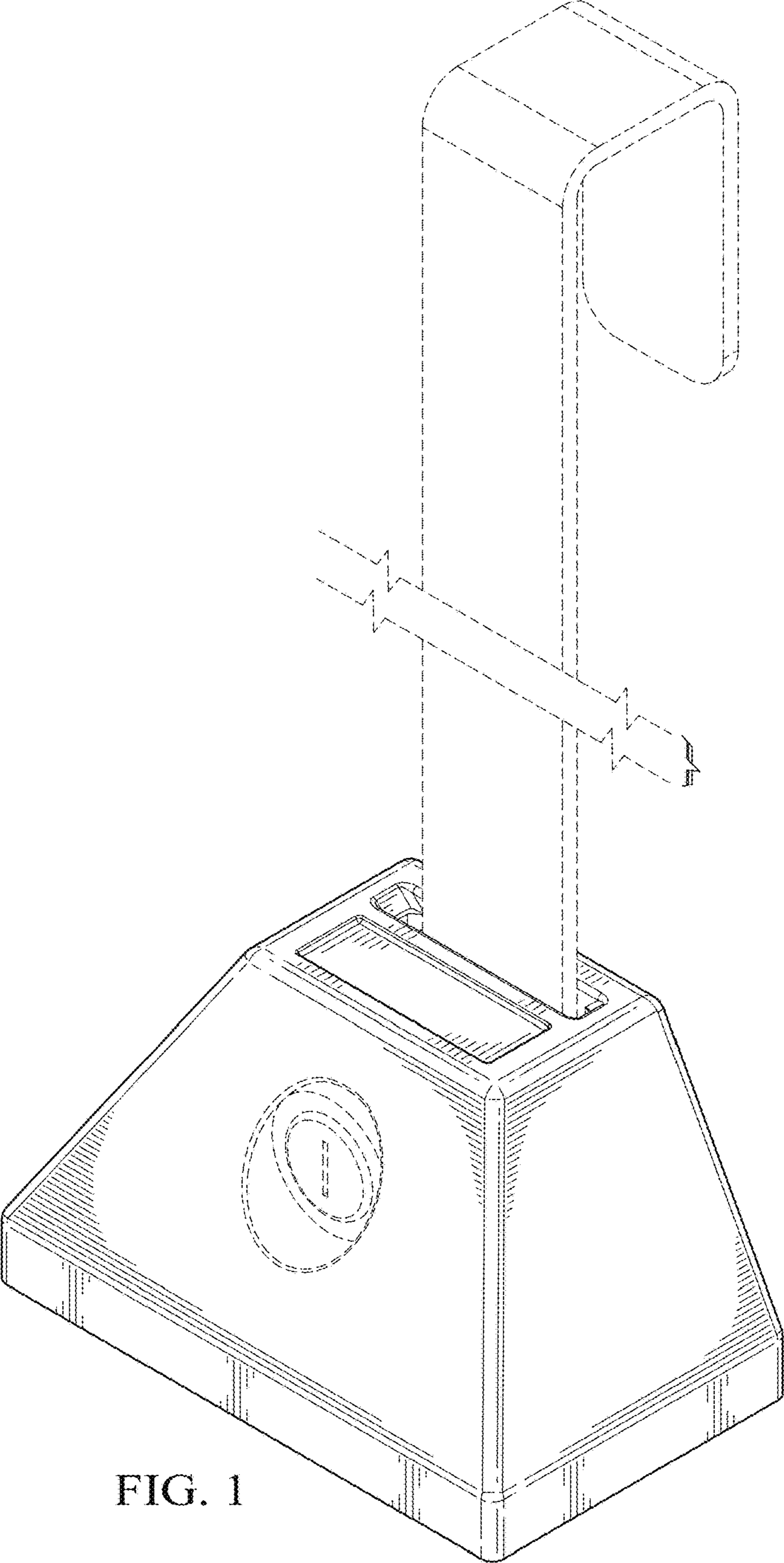


FIG. 1

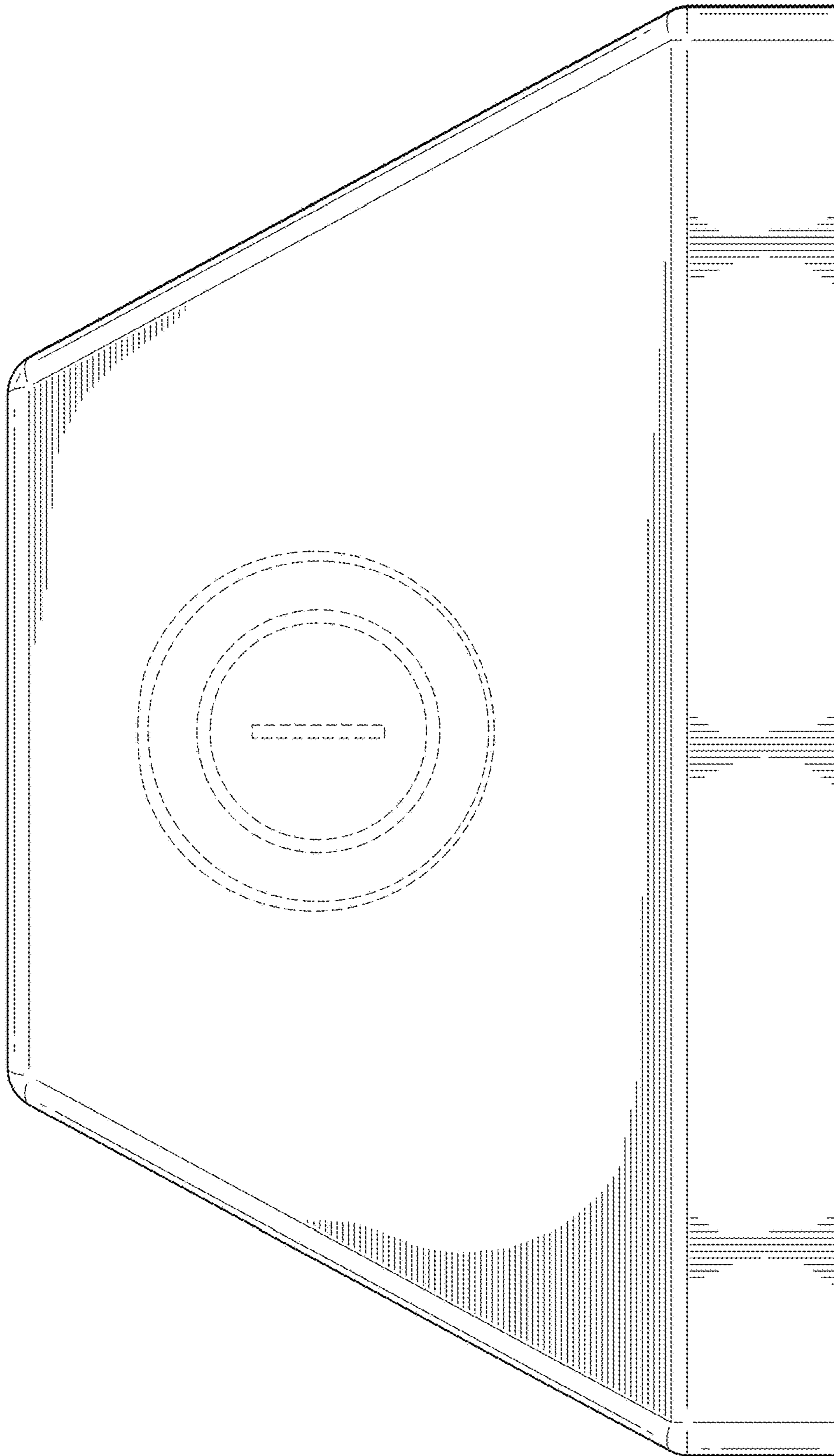


FIG. 2

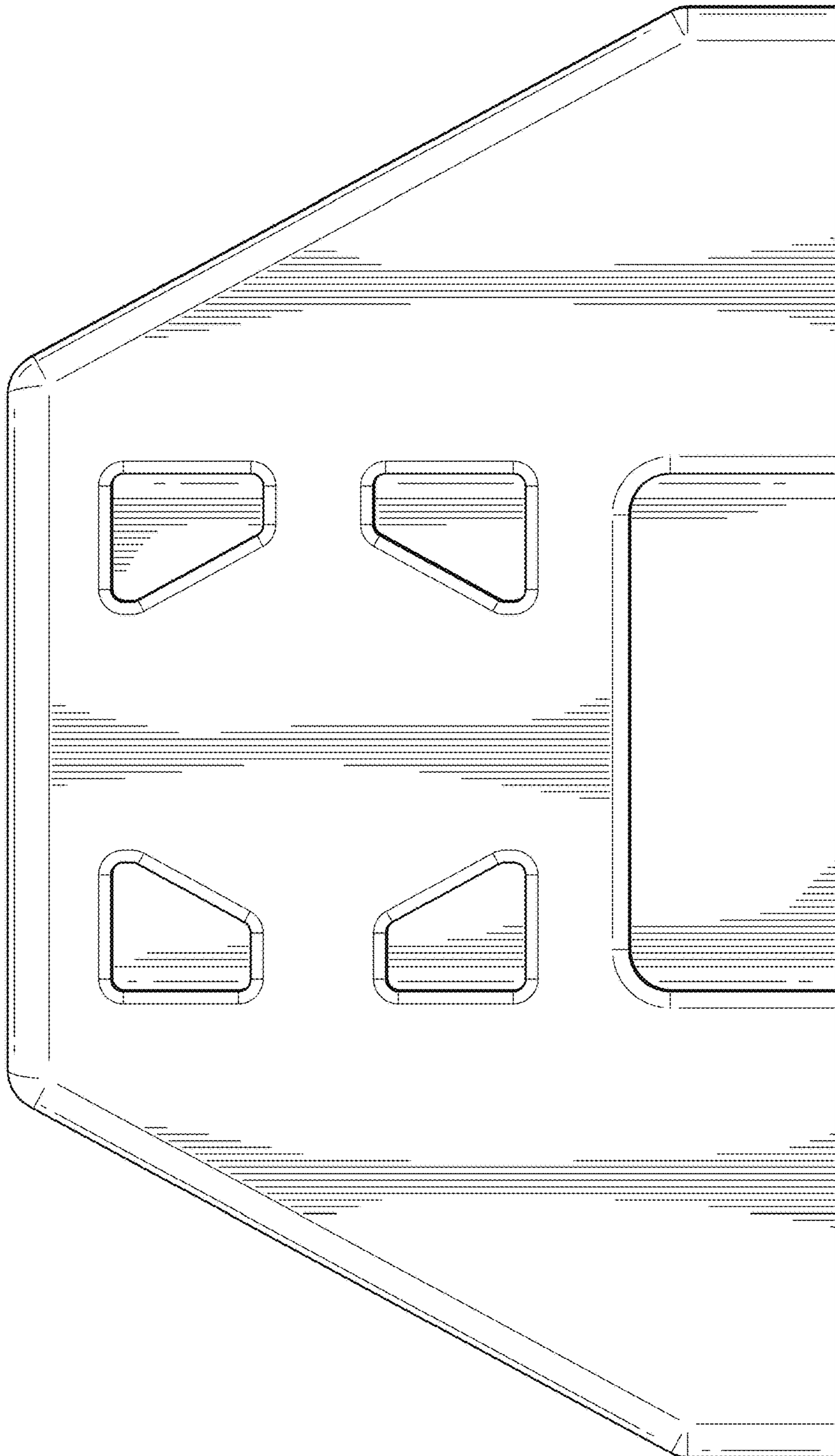


FIG. 3

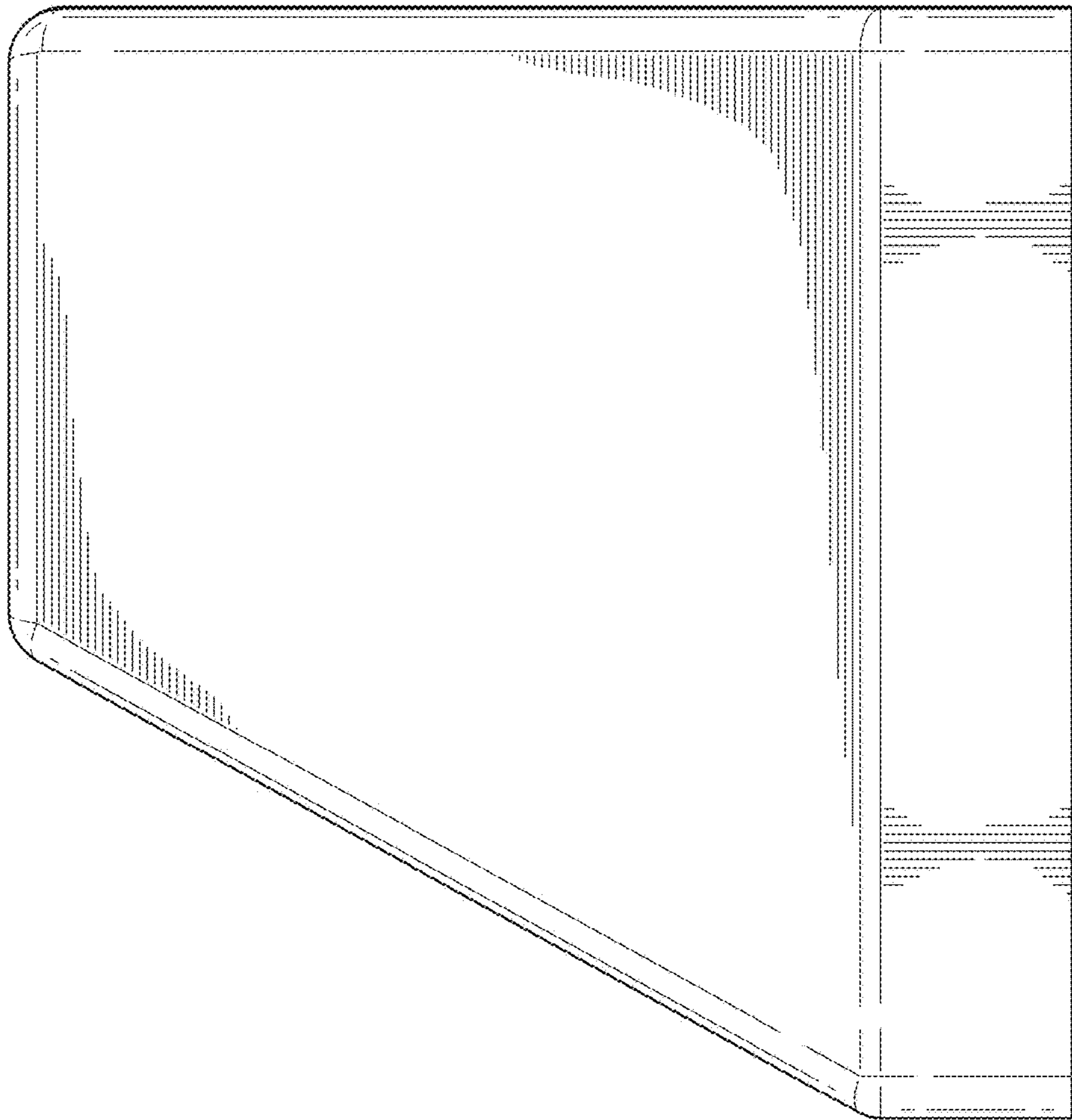


FIG. 4

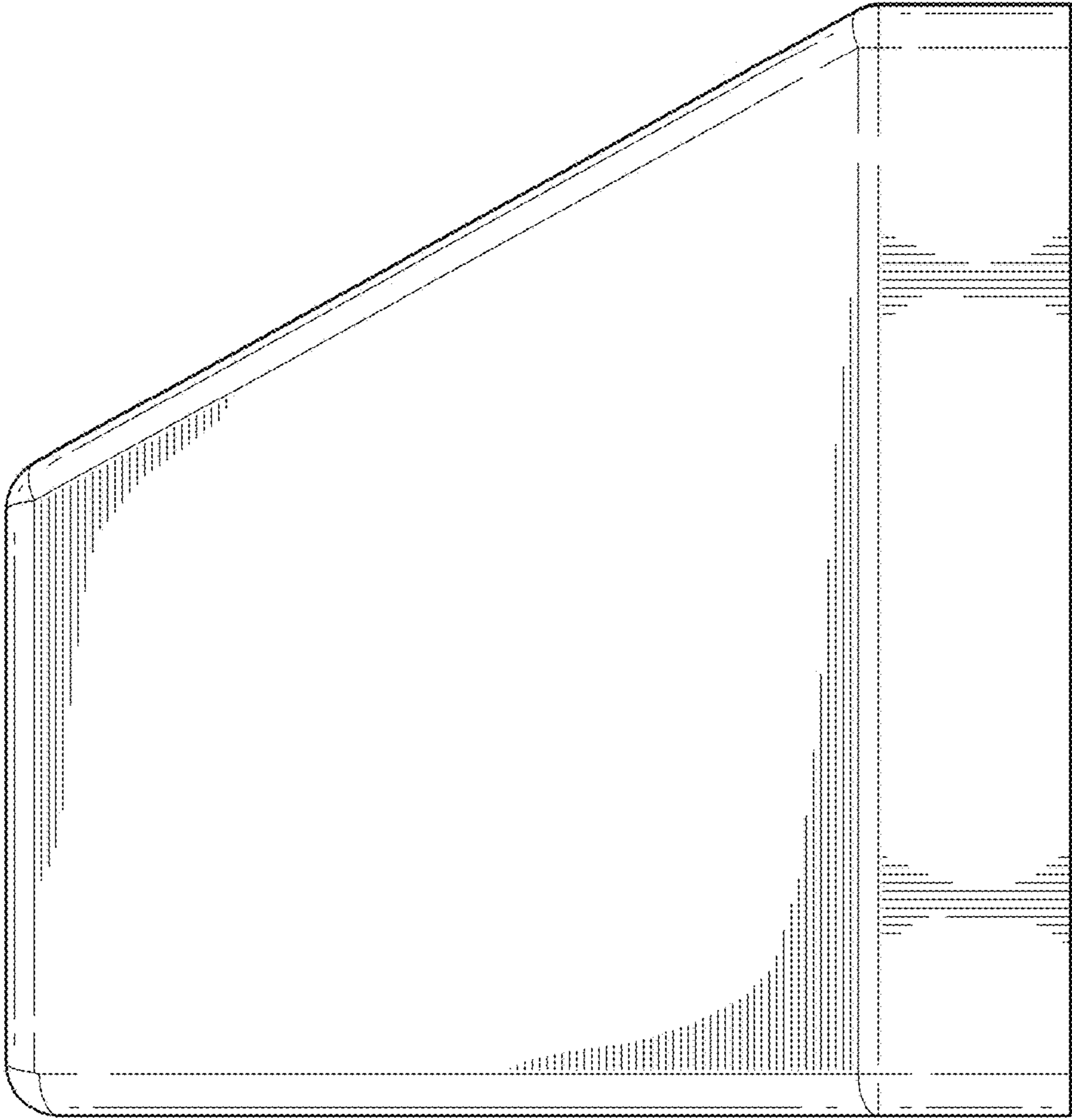


FIG. 5

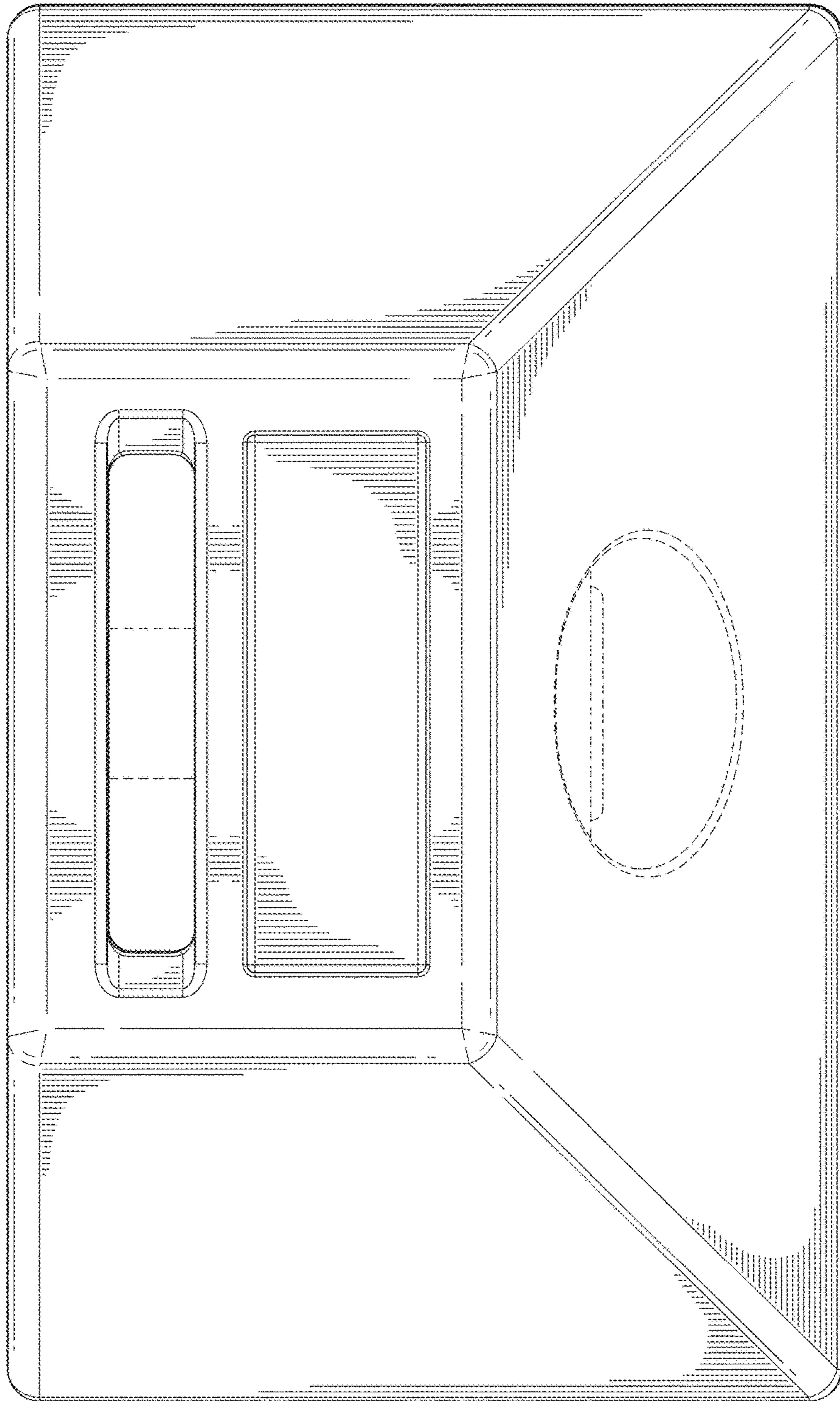


FIG. 6

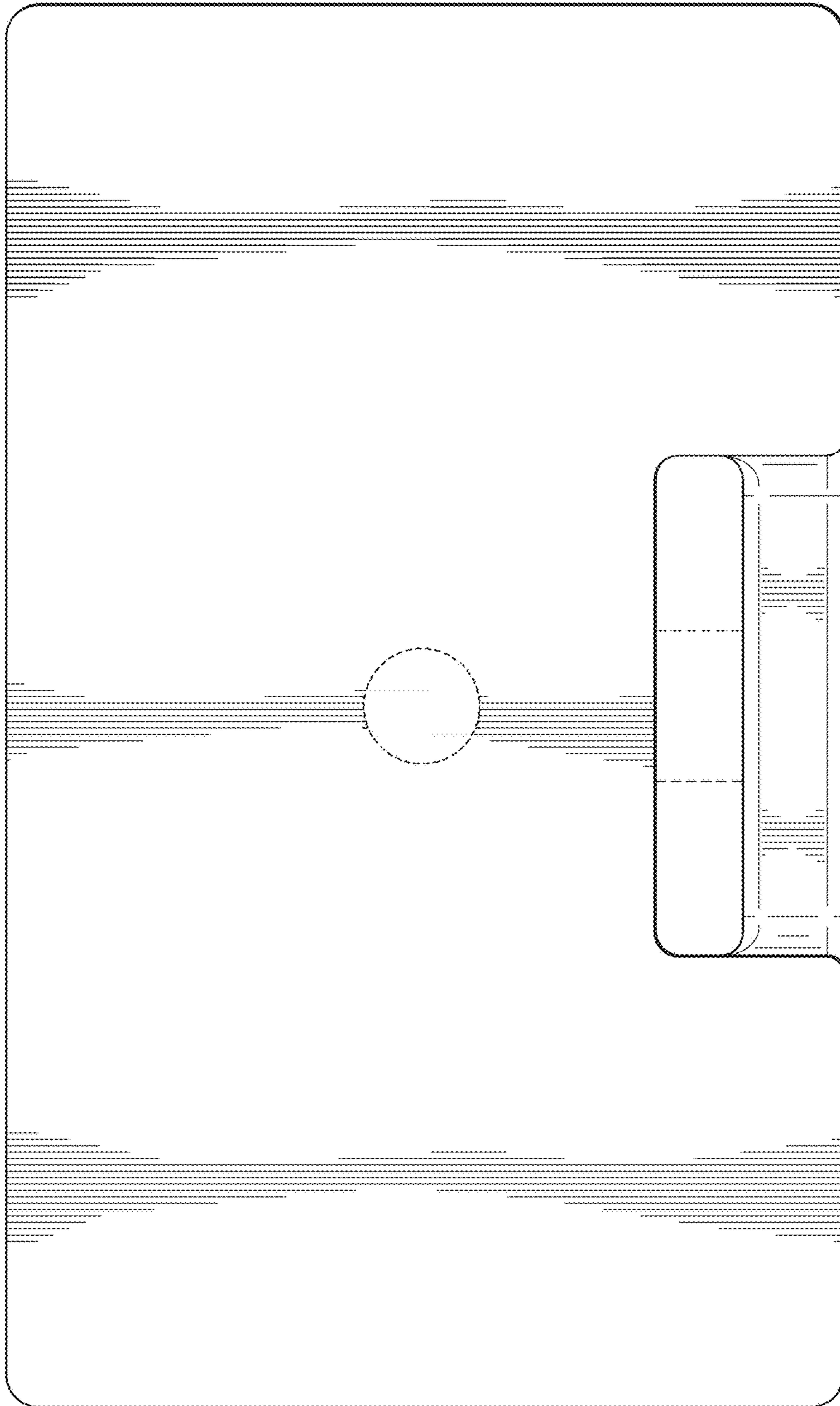


FIG. 7



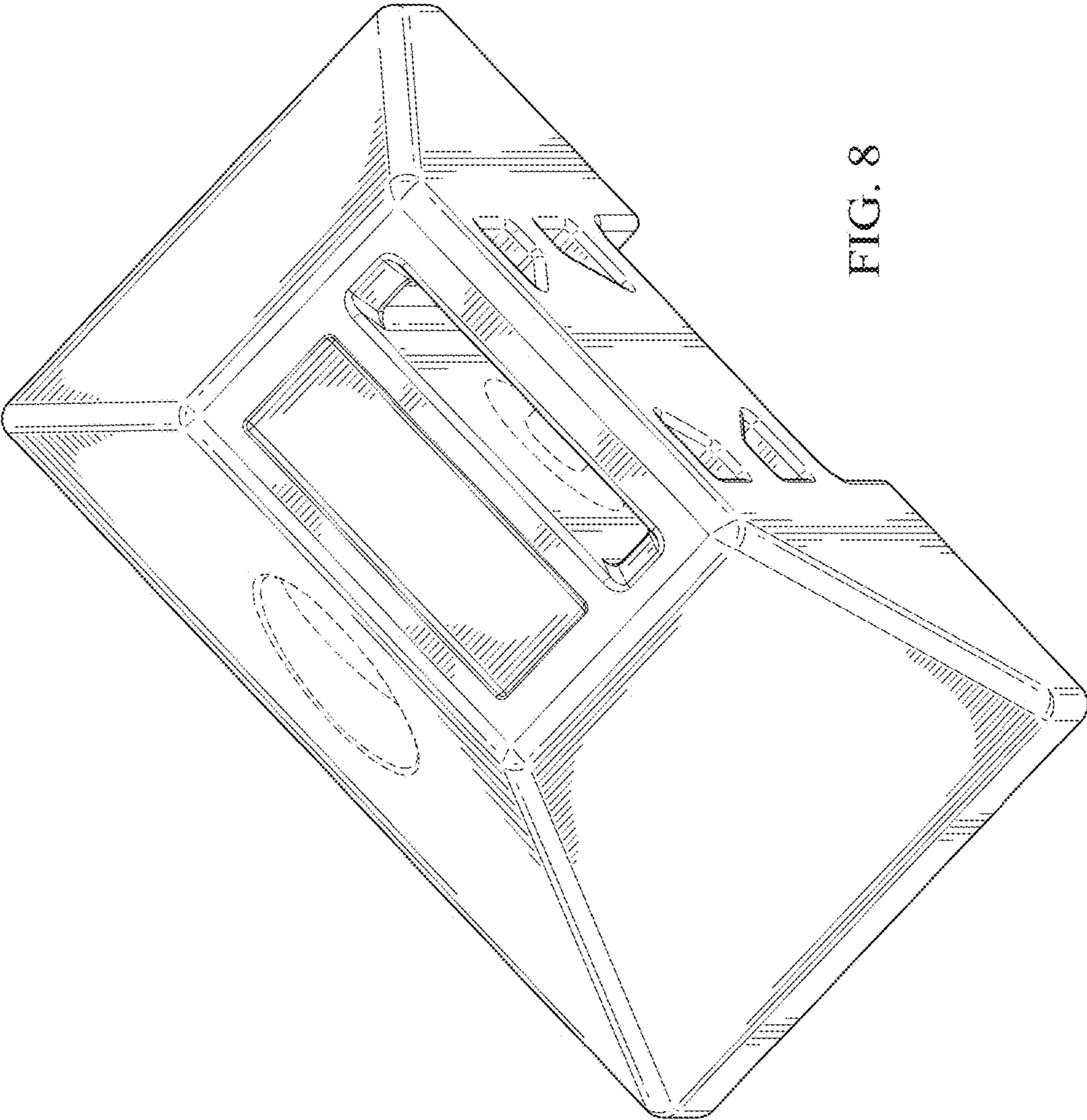


FIG. 8