

US00D863035S

(12) **United States Design Patent**
Gokcebay

(10) **Patent No.:** **US D863,035 S**

(45) **Date of Patent:** **** Oct. 15, 2019**

- (54) **ELECTRONIC LOCKER LOCK**
- (71) Applicant: **Digilock Asia Ltd.**, Kowloon (HK)
- (72) Inventor: **Asil T. Gokcebay**, Petaluma, CA (US)
- (73) Assignee: **Didilock Asia Ltd.**, Kowloon (HK)
- (**) Term: **15 Years**
- (21) Appl. No.: **29/632,720**
- (22) Filed: **Jan. 9, 2018**

Related U.S. Application Data

- (62) Division of application No. 29/559,446, filed on Mar. 28, 2016, now Pat. No. Des. 809,366.
- (51) **LOC (12) Cl.** **08-07**
- (52) **U.S. Cl.**
USPC **D8/330**
- (58) **Field of Classification Search**
USPC D8/301, 302, 330, 331, 349, 400, 499;
D6/664; 70/57, 67.1, 14, 20, 91, 102,
70/141, 237, 262, 263, 266, 278.1, 279.1,
70/416, 165, 442, 443, 214, 78, 447;
340/5.6, 5.61, 5.64, 5.73, 286.01, 542,
340/545.1, 545.7; 292/336.3, 257, 194,
292/195, 198, 164, 165
CPC E05B 49/00; E05B 41/00; E05B 65/00;
E05B 65/52; E05B 51/00; G05B 19/00;
G05B 23/00
See application file for complete search history.

(56) **References Cited**

U.S. PATENT DOCUMENTS

5,033,282 A	7/1991	Gartner et al.
D331,888 S	12/1992	Lade
5,284,659 A	2/1994	Cherukuri et al.
5,568,006 A	10/1996	Luff et al.
5,884,644 A	3/1999	Dunn

5,894,277 A	4/1999	Keskin et al.
D426,833 S	6/2000	Vanelli
D495,578 S	9/2004	Sampson et al.
D512,898 S	12/2005	Metivier et al.
D580,739 S *	11/2008	Pelletier D8/330
7,482,907 B2	1/2009	Denison et al.
D593,398 S *	6/2009	Pelletier D8/330
D629,789 S	12/2010	Andre et al.
D630,489 S	1/2011	Gratzki et al.
D656,496 S	3/2012	Andre et al.
8,161,781 B2	4/2012	Gokcebay
D686,055 S *	7/2013	Li D8/331
D686,056 S *	7/2013	Li D8/331
8,495,898 B2	7/2013	Gokcebay
8,616,031 B2	12/2013	Ulrich et al.
D730,712 S	6/2015	Gokcebay et al.
D730,714 S *	6/2015	Gokcebay D8/330
D730,715 S	6/2015	Gokcebay et al.
D731,286 S	6/2015	Gokcebay et al.
D731,287 S	6/2015	Gokcebay et al.

(Continued)

Primary Examiner — Ian Simmons

Assistant Examiner — Yolanda Robinson

(74) *Attorney, Agent, or Firm* — Thomas M. Freiburger

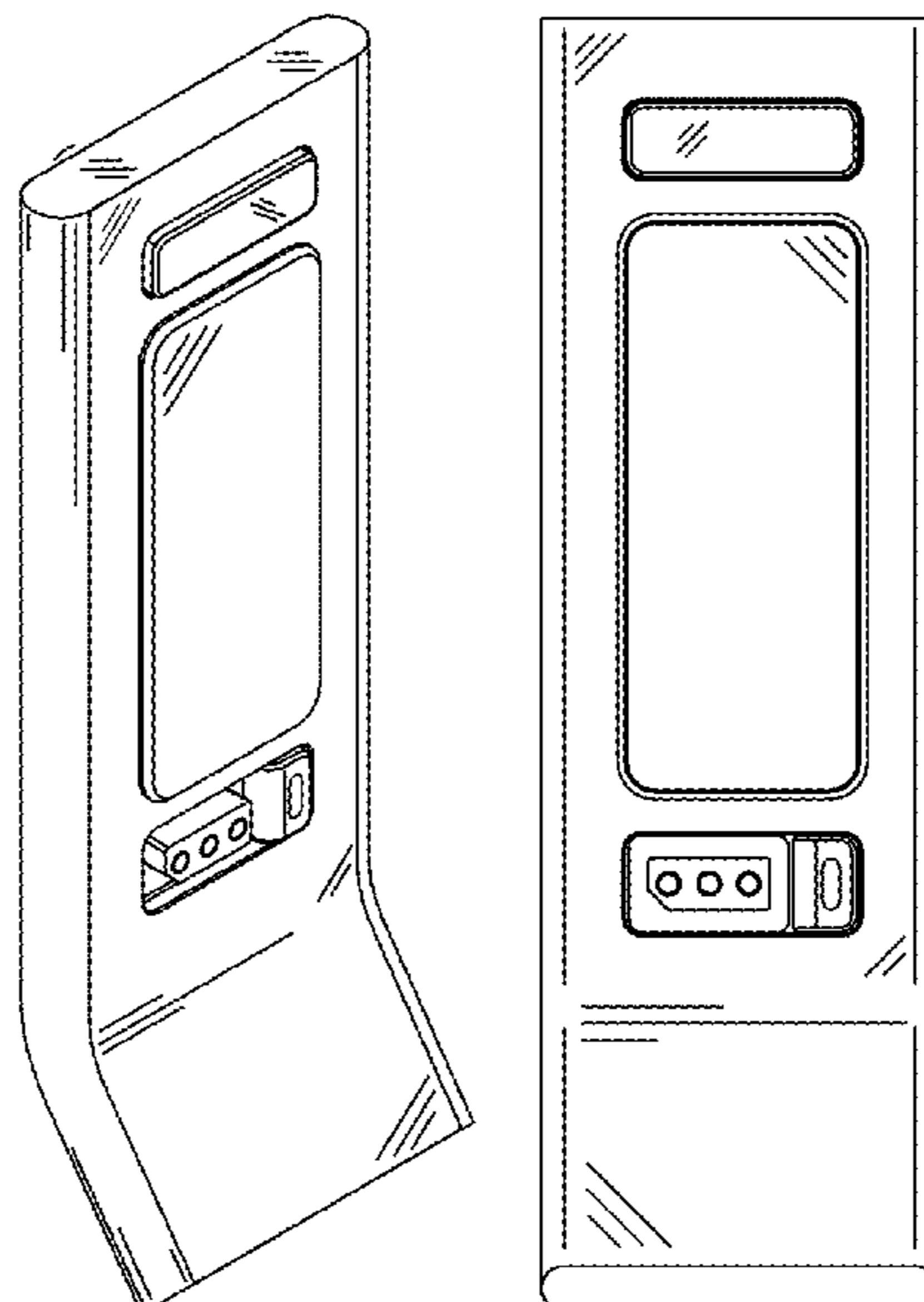
(57) **CLAIM**

The ornamental design for an electronic locker lock, substantially as shown and described.

DESCRIPTION

FIG. 1 is a front left perspective view of an electronic locker lock according to my new design;
 FIG. 2 is a top plan view thereof;
 FIG. 3 is a rear elevation view thereof;
 FIG. 4 is a left side view thereof;
 FIG. 5 is a front elevation view thereof;
 FIG. 6 is a right side view thereof; and,
 FIG. 7 is a bottom plan view thereof.
 Features shown in dashed lines are not part of the claimed design.

1 Claim, 3 Drawing Sheets



(56)

References Cited

U.S. PATENT DOCUMENTS

D733,519	S	7/2015	Gokcebay et al.	
D734,125	S	7/2015	Kodama	
D734,650	S	7/2015	Kodama	
D737,114	S	8/2015	Gokcebay et al.	
D752,945	S	4/2016	Gokcebay et al.	
D752,947	S	4/2016	Gokcebay et al.	
D752,948	S	4/2016	Gokcebay et al.	
D752,949	S	4/2016	Gokcebay et al.	
D753,463	S	4/2016	Gokcebay et al.	
D762,100	S	7/2016	Gokcebay et al.	
D762,101	S	7/2016	Gokcebay et al.	
D762,102	S *	7/2016	Gokcebay	D8/330
D762,103	S *	7/2016	Gokcebay	D8/330
D763,059	S *	8/2016	Thomson	D8/331
D764,255	S	8/2016	Gokcebay et al.	
D764,891	S	8/2016	Gokcebay et al.	
D764,892	S	8/2016	Gokcebay et al.	
D764,893	S	8/2016	Gokcebay et al.	
9,422,746	B1	8/2016	Zhang et al.	
9,672,673	B1 *	6/2017	Gokcebay	G07C 9/00309
D826,602	S *	8/2018	Allen	D6/664
2007/0277571	A1 *	12/2007	Gokcebay	G07C 9/00666
				70/278.1
2017/0088099	A1 *	3/2017	Ma	G07C 9/00309

* cited by examiner

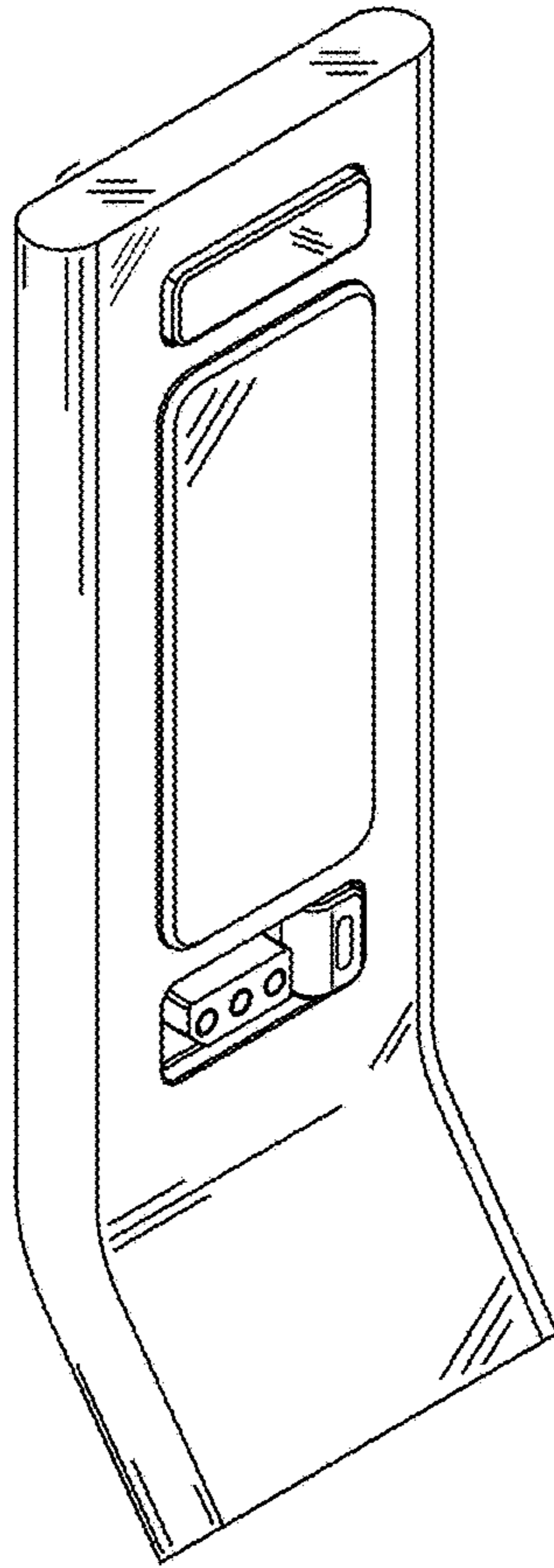


FIG. 1

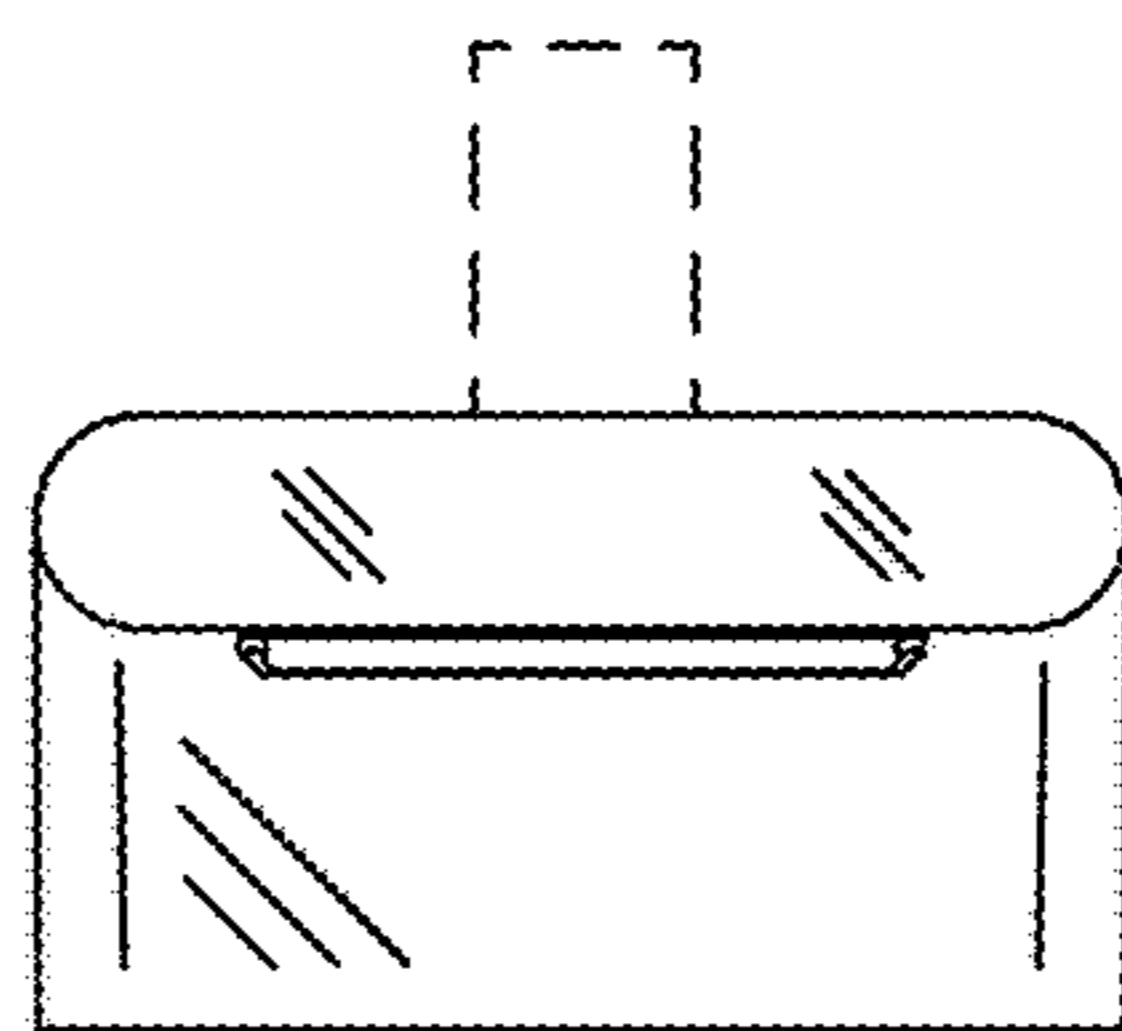


FIG. 2

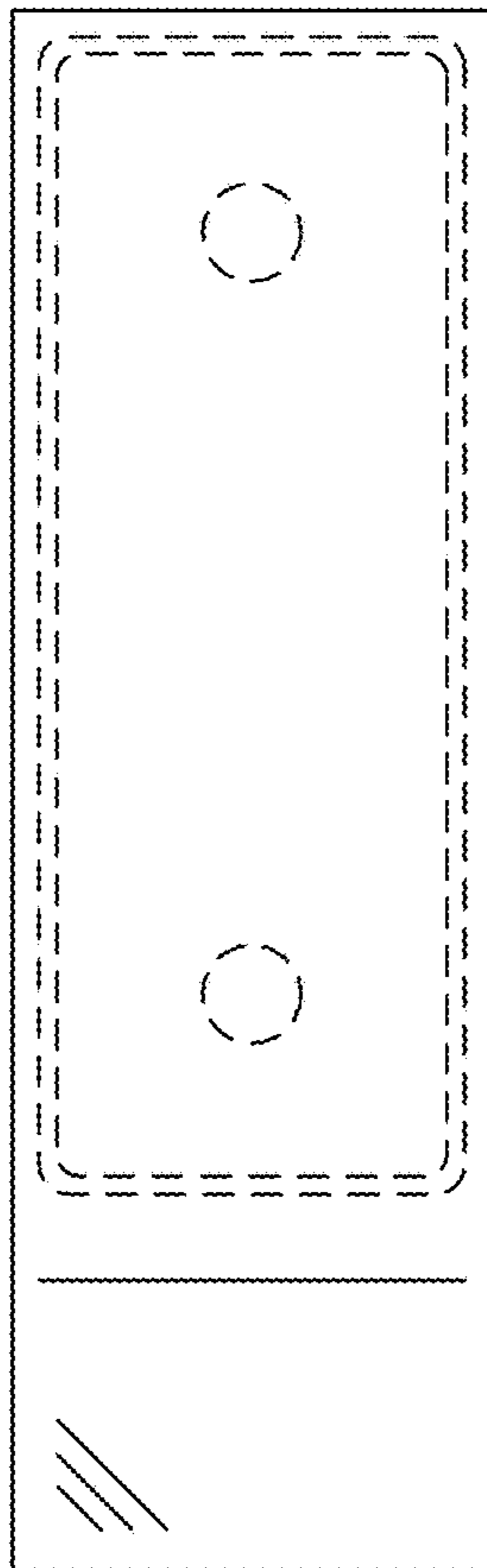


FIG. 3

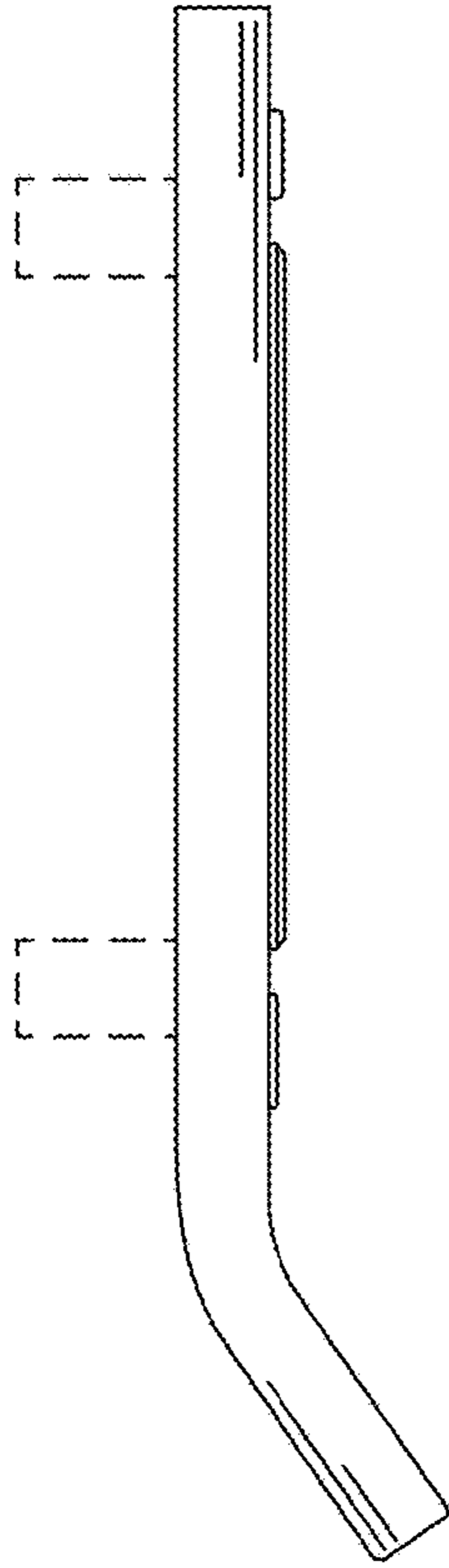


FIG. 4

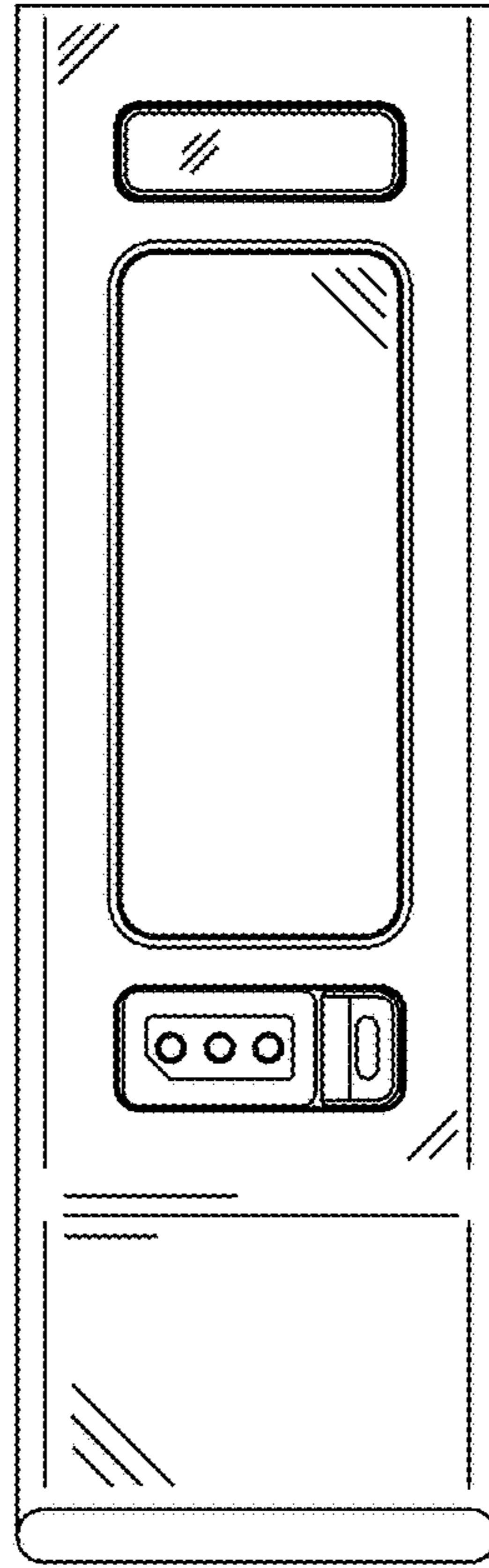


FIG. 5

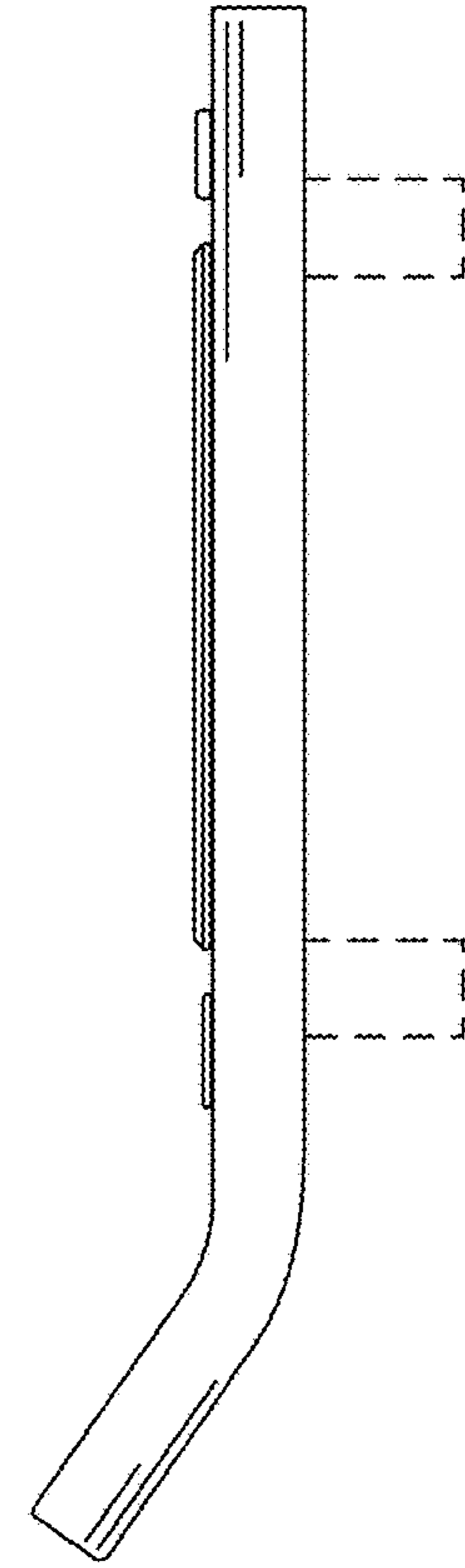


FIG. 6

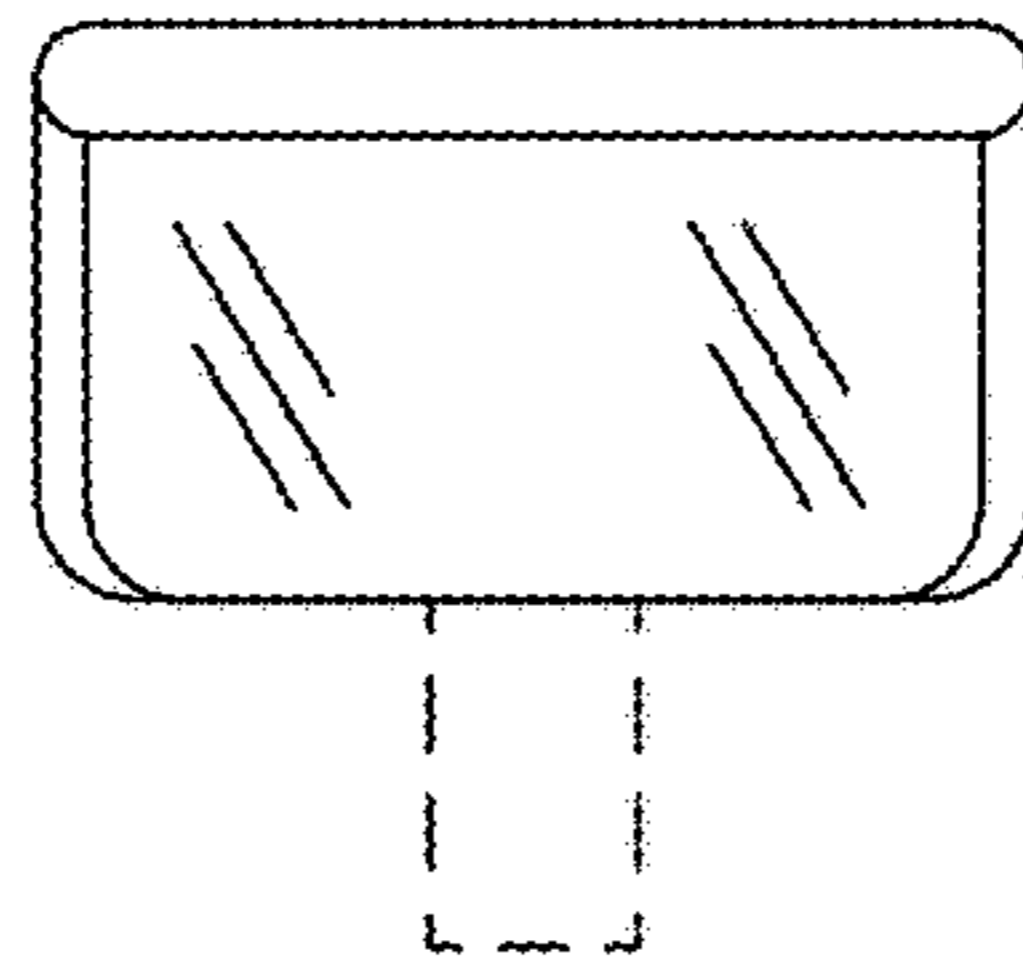


FIG. 7