



US00D863034S

(12) **United States Design Patent** (10) **Patent No.:** **US D863,034 S**
Gokcebay (45) **Date of Patent:** **** Oct. 15, 2019**

- (54) **ELECTRONIC LOCKER LOCK**
- (71) Applicant: **Digilock Asia Ltd.**, Kowloon (HK)
- (72) Inventor: **Asil T. Gokcebay**, Petaluma, CA (US)
- (73) Assignee: **Digilock Asia Ltd.**, Kowloon (HK)
- (**) Term: **15 Years**
- (21) Appl. No.: **29/632,718**
- (22) Filed: **Jan. 9, 2018**

Related U.S. Application Data

- (62) Division of application No. 29/559,446, filed on Mar. 28, 2016, now Pat. No. Des. 809,366.
- (51) **LOC (12) Cl.** **08-07**
- (52) **U.S. Cl.**
USPC **D8/330**
- (58) **Field of Classification Search**
USPC D8/301, 302, 330, 331, 349, 400, 499;
D6/664; 70/57, 57.1, 14, 20, 91, 92, 102,
70/141, 237, 262, 263, 266, 278.1, 279.1,
70/416, 465, 442, 443, 214, 78, 447;
340/5.6, 5.61, 5.73, 286.01, 542, 547,
340/545.1, 545.7; 292/336.3, 257, 194,
292/195, 198, 164, 165
CPC E05B 49/00; E05B 41/00; E05B 65/00;
E05B 65/52; E05B 51/00; G05B 19/00;
G05B 23/00
See application file for complete search history.

(56) **References Cited**

U.S. PATENT DOCUMENTS

- 5,033,282 A 7/1991 Gartner et al.
- D331,888 S 12/1992 Lade
- 5,284,659 A 2/1994 Cherukuri et al.
- 5,568,006 A 10/1996 Luff et al.
- 5,884,644 A 3/1999 Dunn

- 5,894,277 A 4/1999 Keskin et al.
- D426,833 S 6/2000 Vanelli
- D495,578 S 9/2004 Sampson et al.
- D512,898 S 12/2005 Metivier et al.
- D580,739 S * 11/2008 Pelletier D8/330
- 7,482,907 B2 1/2009 Denison et al.
- D593,398 S * 6/2009 Pelletier D8/330
- D629,789 S 12/2010 Andre et al.
- D630,489 S 1/2011 Gratzki et al.
- D656,496 S 3/2012 Andre et al.
- 8,161,781 B2 4/2012 Gokcebay
- D686,055 S * 7/2013 Li D8/331
- D686,056 S * 7/2013 Li D8/331
- 8,495,898 B2 7/2013 Gokcebay
- 8,616,031 B2 12/2013 Ulrich et al.
- D730,712 S 6/2015 Gokcebay et al.
- D730,714 S * 6/2015 Gokcebay D8/330
- D730,715 S * 6/2015 Gokcebay D8/330
- D731,286 S 6/2015 Gokcebay et al.
- D731,287 S 6/2015 Gokcebay et al.

(Continued)

Primary Examiner — Ian Simmons

Assistant Examiner — Yolanda Robinson

(74) *Attorney, Agent, or Firm* — Thomas M. Freiburger

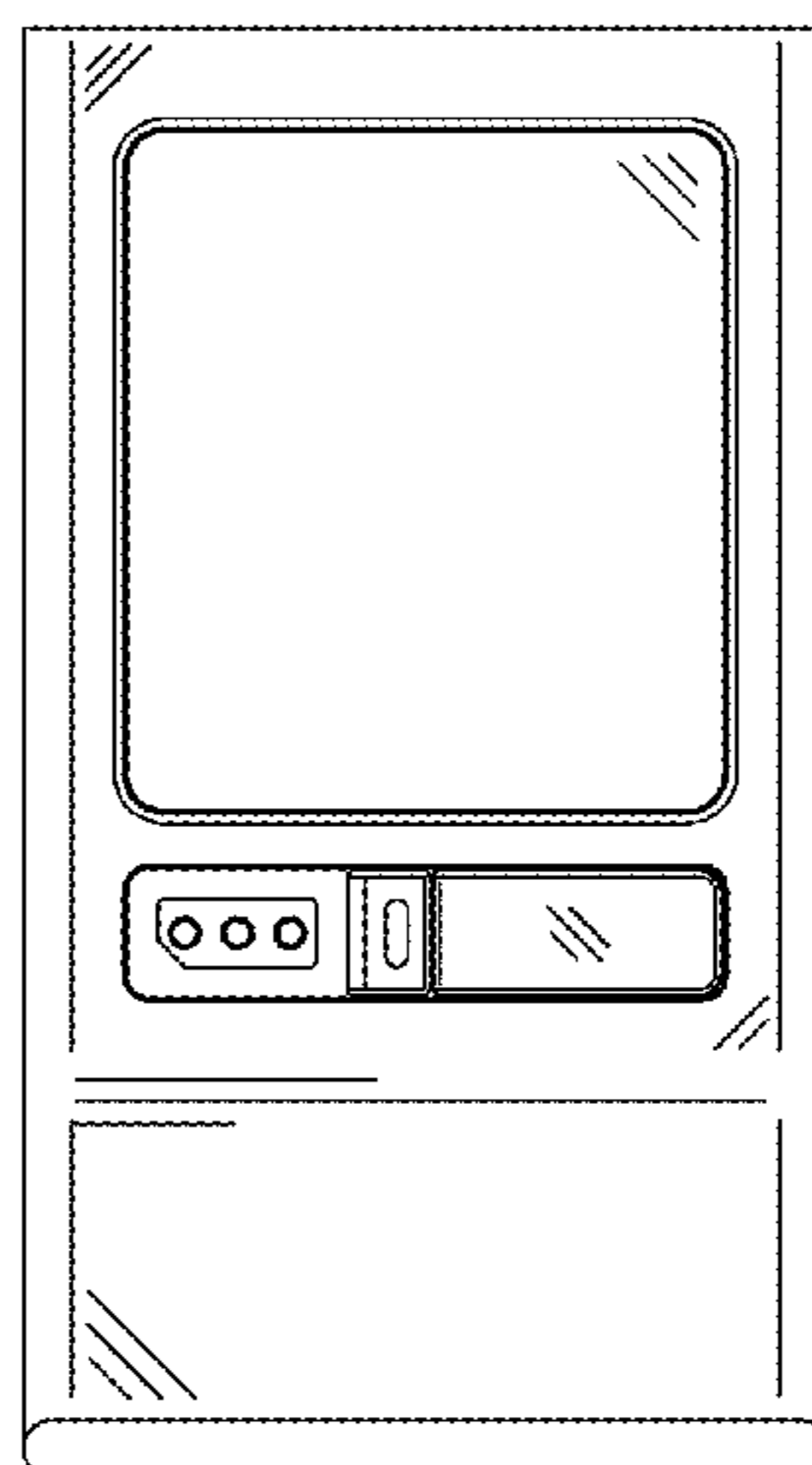
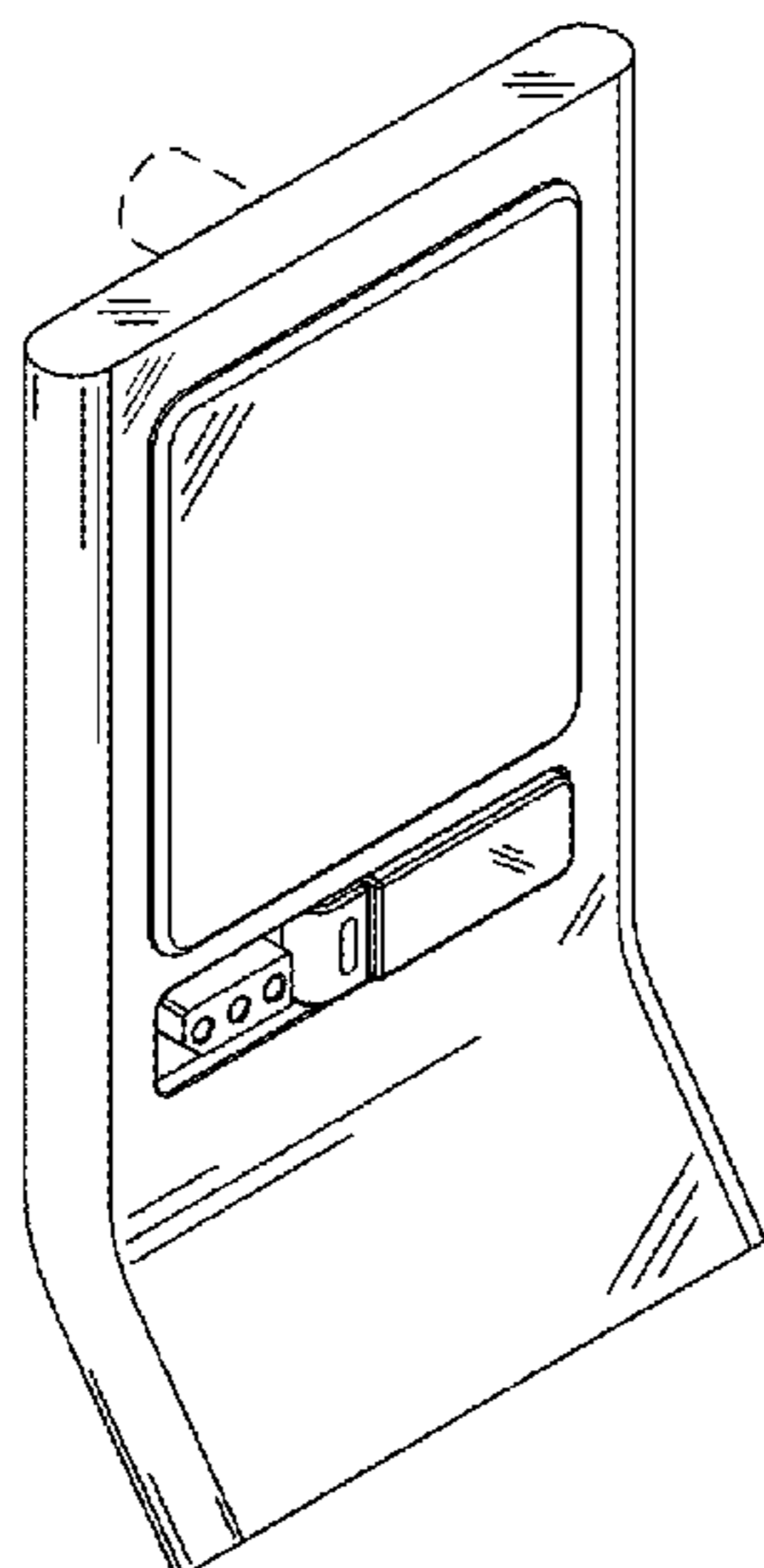
(57) **CLAIM**

The ornamental design for an electronic locker lock, substantially as shown and described.

DESCRIPTION

FIG. 1 is a front left perspective view of an electronic locker lock according to my new design;
 FIG. 2 is a top plan view thereof;
 FIG. 3 is a rear elevation view thereof;
 FIG. 4 is a left side view thereof;
 FIG. 5 is a front elevation view thereof;
 FIG. 6 is a right side view thereof; and,
 FIG. 7 is a bottom plan view thereof.
 Features shown in dashed lines are not part of the claimed design.

1 Claim, 3 Drawing Sheets



(56)

References Cited

U.S. PATENT DOCUMENTS

D733,519 S	7/2015	Gokcebay et al.	
D734,125 S	7/2015	Kodama	
D734,650 S	7/2015	Kodama	
D737,114 S	8/2015	Gokcebay et al.	
D752,945 S	4/2016	Gokcebay et al.	
D752,947 S	4/2016	Gokcebay et al.	
D752,948 S	4/2016	Gokcebay et al.	
D752,949 S	4/2016	Gokcebay et al.	
D753,463 S	4/2016	Gokcebay et al.	
D762,100 S	7/2016	Gokcebay et al.	
D762,101 S	7/2016	Gokcebay et al.	
D762,102 S	7/2016	Gokcebay et al.	
D762,103 S *	7/2016	Gokcebay	D8/330
D763,059 S *	8/2016	Thomson	D8/331
D764,255 S	8/2016	Gokcebay et al.	
D764,891 S	8/2016	Gokcebay et al.	
D764,892 S	8/2016	Gokcebay et al.	
D764,893 S	8/2016	Gokcebay et al.	
9,422,746 B1	8/2016	Zhang et al.	
9,672,673 B1	6/2017	Gokcebay	
D826,602 S *	8/2018	Allen	D6/664

* cited by examiner

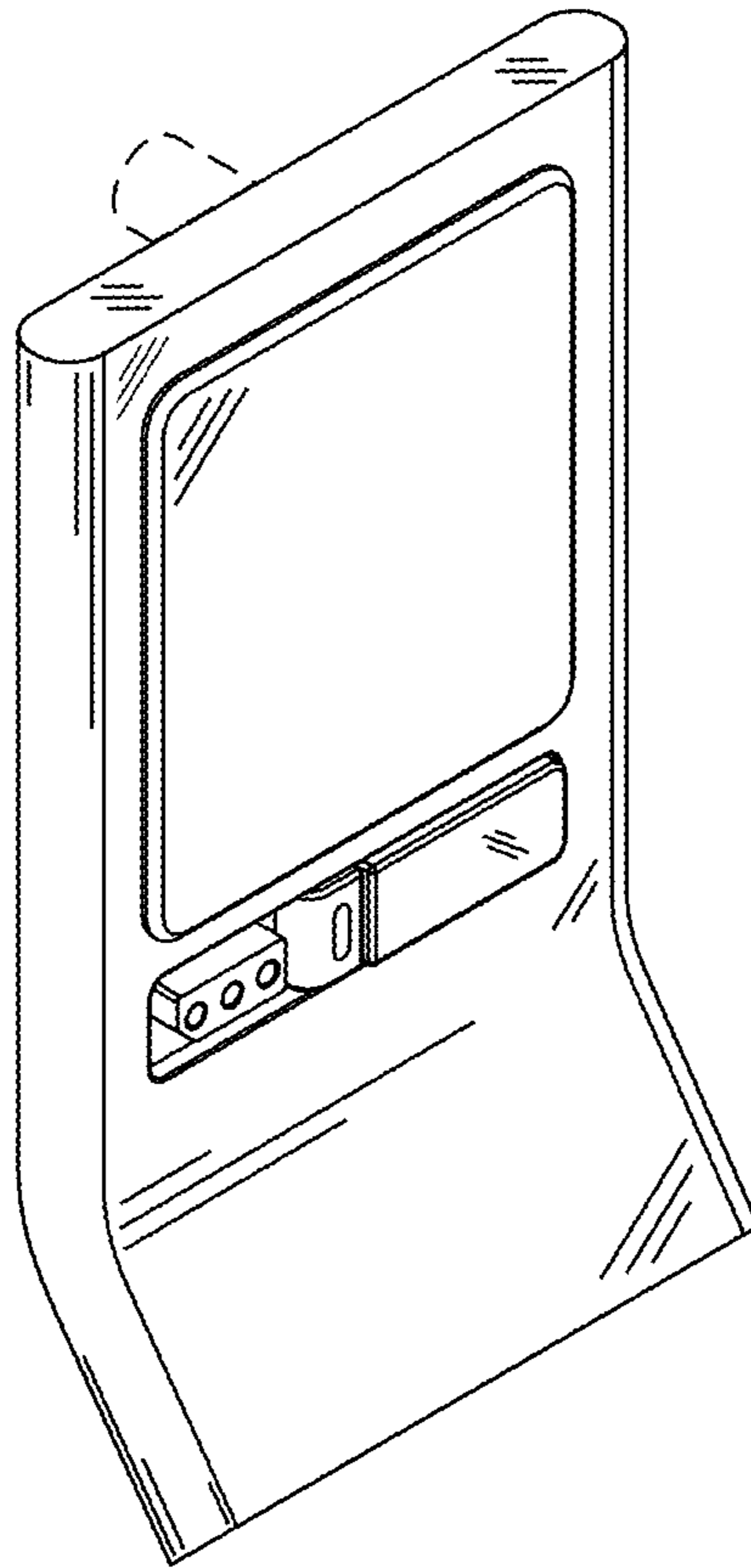


FIG. 1

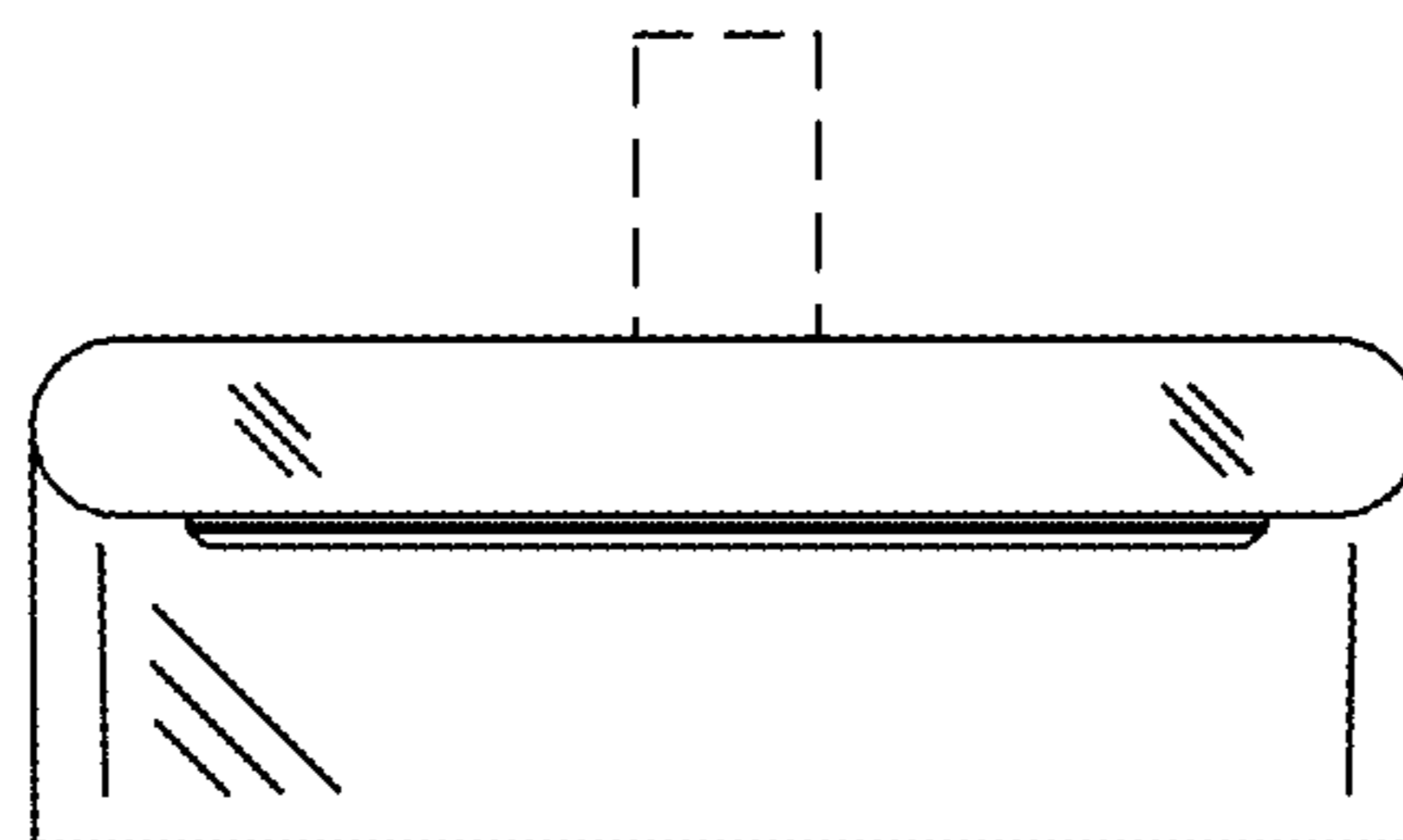


FIG. 2

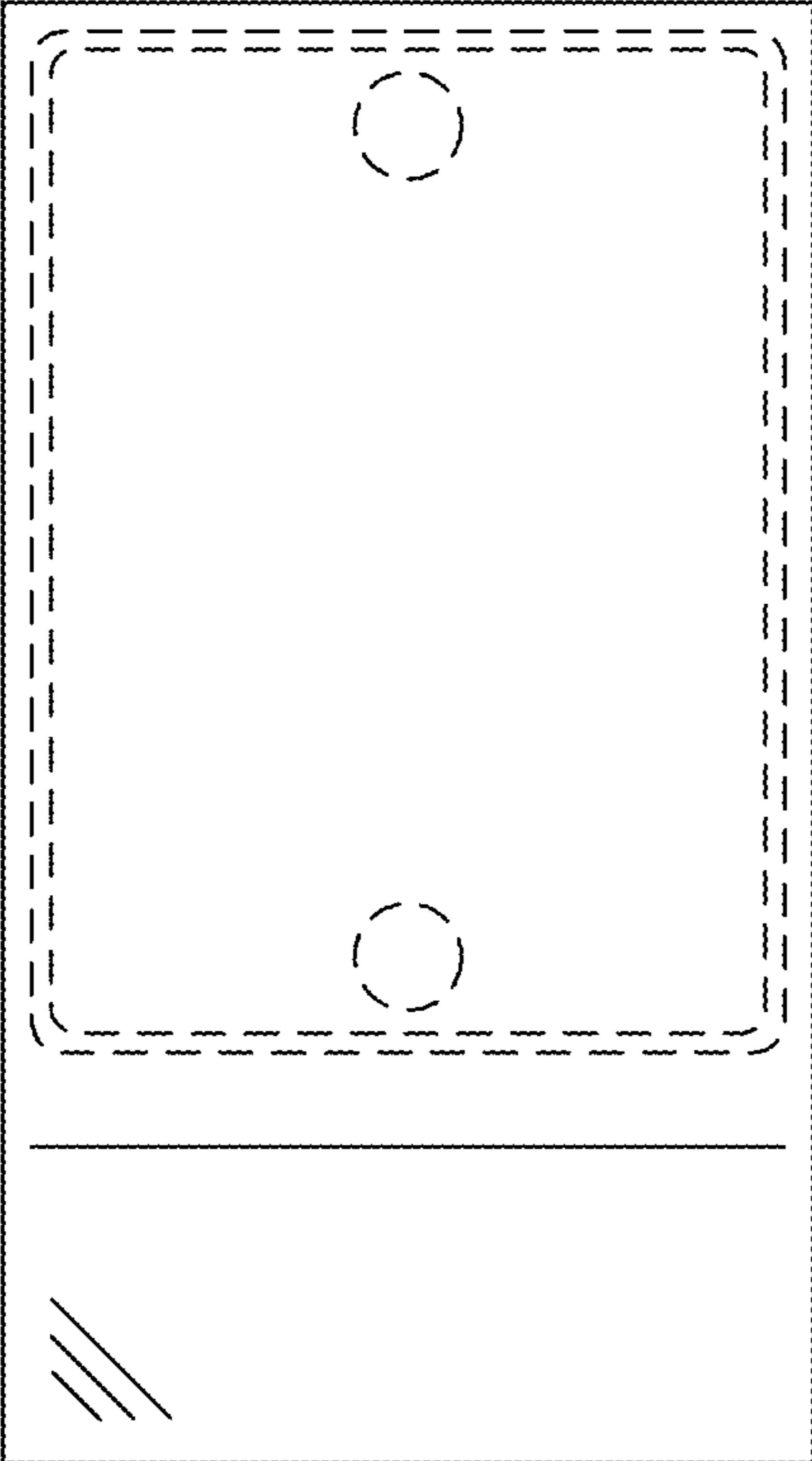


FIG. 3

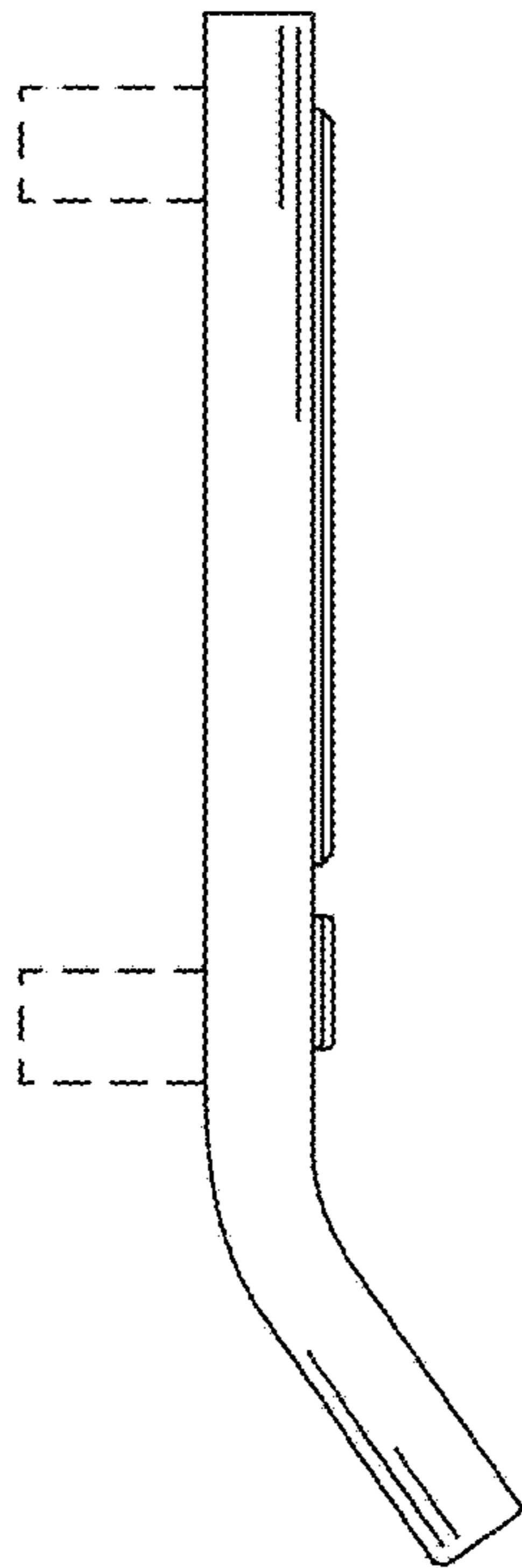


FIG. 4

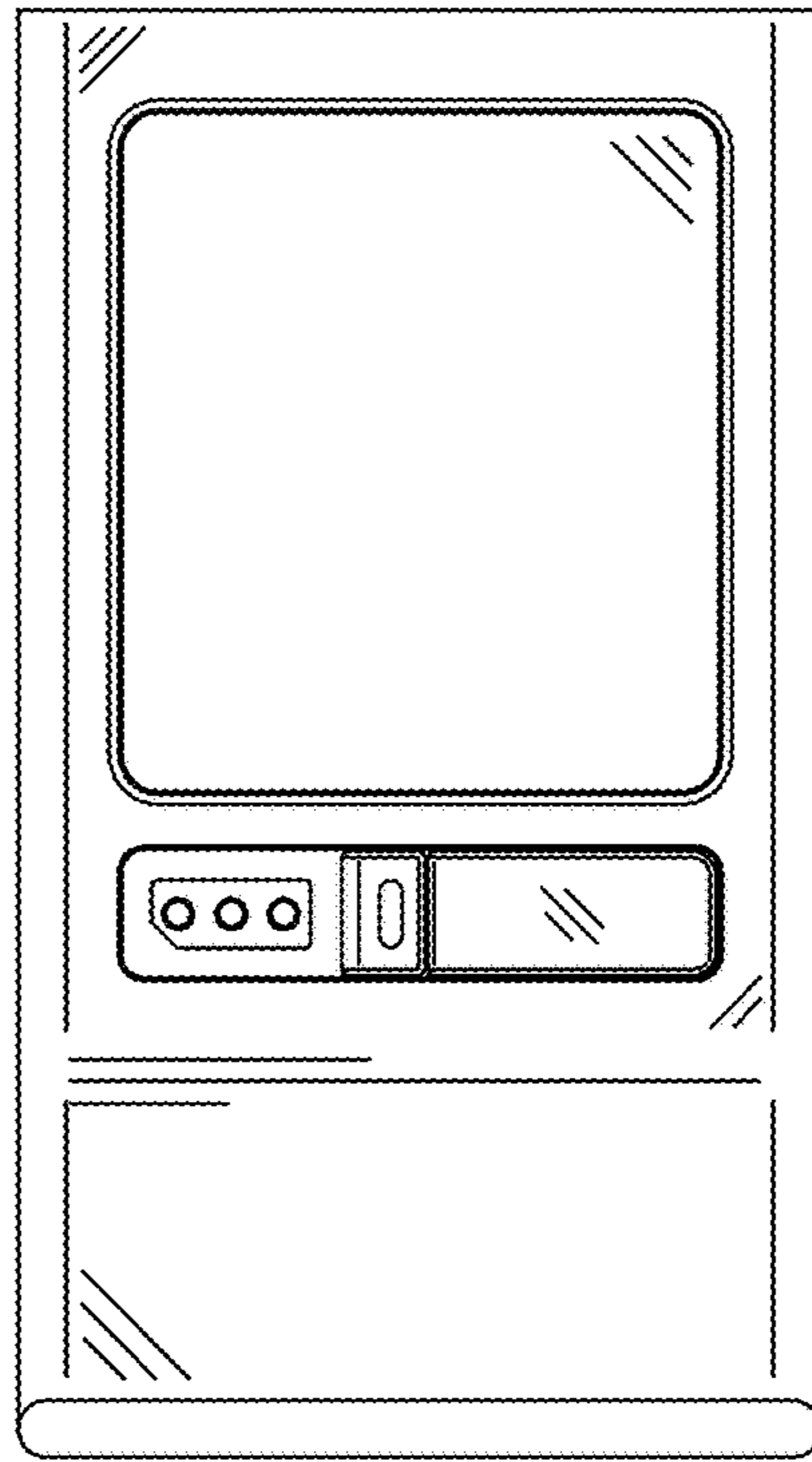


FIG. 5

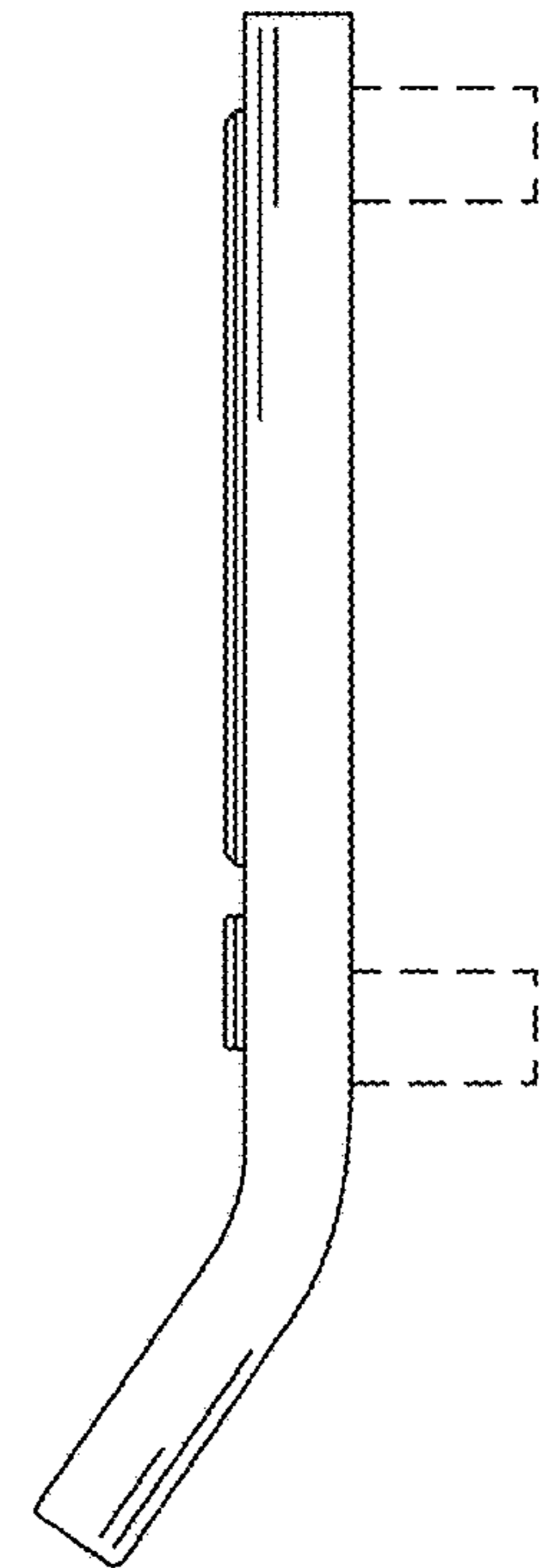


FIG. 6

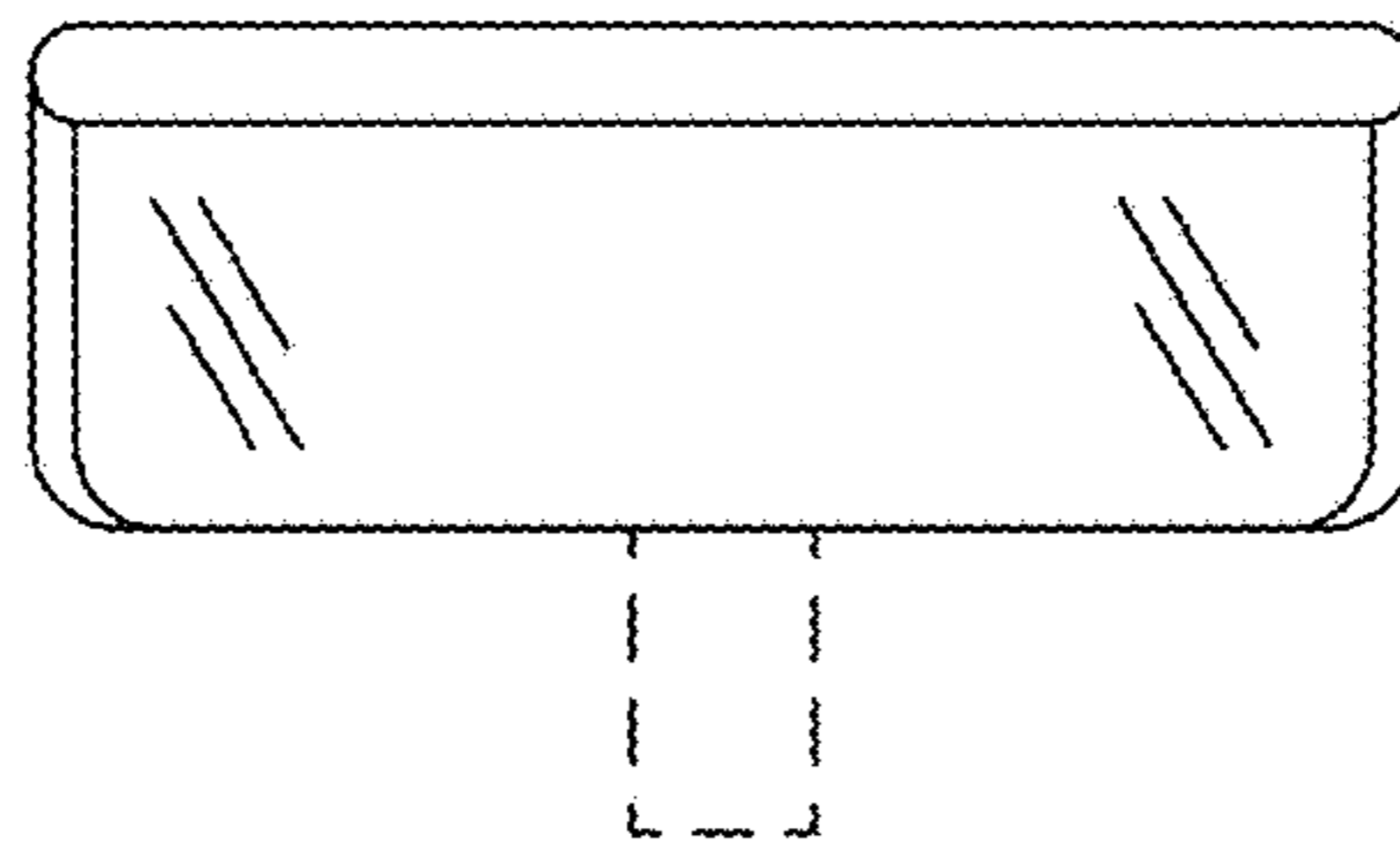


FIG. 7