



US00D863023S

(12) **United States Design Patent** (10) **Patent No.:** **US D863,023 S**
Asakawa (45) **Date of Patent:** **** Oct. 15, 2019**

(54) **LEVER HANDLE FOR VALVE**

(71) Applicant: **KITZ CORPORATION**, Chiba (JP)

(72) Inventor: **Yoshihiko Asakawa**, Nagano (JP)

(73) Assignee: **KITZ CORPORATION**, Chiba (JP)

(**) Term: **15 Years**

(21) Appl. No.: **29/607,065**

(22) Filed: **Jun. 9, 2017**

(51) **LOC (12) Cl.** **08-06**

(52) **U.S. Cl.**
 USPC **D8/321; D8/343; D8/308**

(58) **Field of Classification Search**
 USPC D8/300–302, 307–309, 321, 330, 331,
 D8/336, 337, 338, 343; D23/250, 252
 CPC Y10T 16/44; Y10T 74/20612; Y10T
 74/20732; Y10T 16/458; Y10T 16/498;
 Y10T 16/469; Y10T 16/476; Y10T
 74/20744; Y10T 74/20864; Y10T
 16/4628; Y10T 74/20642; Y10T 16/473;
 Y10T 74/20762; Y10T 74/2042; Y10T
 74/20828; Y10T 16/459; Y10T 16/4713;
 Y10T 74/2014; Y10T 16/50; Y10T
 74/20438; Y10T 74/20582; Y10T
 74/20738; Y10T 16/48; Y10T 74/20618;
 Y10T 74/20684; Y10T 74/20624; Y10T
 74/20468; Y10T 16/61; Y10T 16/4719;
 Y10T 16/86; Y10S 16/30; Y10S 292/31;
 Y10S 292/53; Y10S 16/12; Y10S 292/23;
 Y10S 292/27; Y10S 292/30; Y10S
 292/63; E05B 85/16; E05B 1/0015; E05B
 77/06; E05B 79/06; E05B 85/18; E05B
 85/12; E05B 85/10; E05B 7/00; E05B
 1/0053; E05B 77/265

See application file for complete search history.

(56) **References Cited**

U.S. PATENT DOCUMENTS

| | | | | |
|---------------|---------|------------|-------|--------------------------|
| D55,846 S * | 7/1920 | Cooper | | D8/28 |
| 4,126,023 A * | 11/1978 | Smith | | F16K 35/06 137/385 |
| D264,796 S * | 6/1982 | Frick | | D8/17 |
| 4,909,275 A * | 3/1990 | Massey | | F16K 35/025 137/385 |
| D319,774 S * | 9/1991 | MacFarlane | | D8/331 |
| 5,139,041 A * | 8/1992 | Albrecht | | F16K 35/06 137/15.22 |
| D333,970 S * | 3/1993 | Starmer | | D8/331 |
| 5,411,048 A * | 5/1995 | Massey | | F16K 35/025 137/15.22 |
| 5,500,966 A * | 3/1996 | Wheat | | A47G 25/902 7/169 |
| 5,803,434 A * | 9/1998 | Chuang | | E03C 1/0412 137/801 |
| D399,118 S * | 10/1998 | Navarsky | | D8/333 |
| 5,843,177 A * | 12/1998 | Vanney | | A61F 2/2448 606/108 |
| D425,776 S * | 5/2000 | Alonso | | D8/343 |

(Continued)

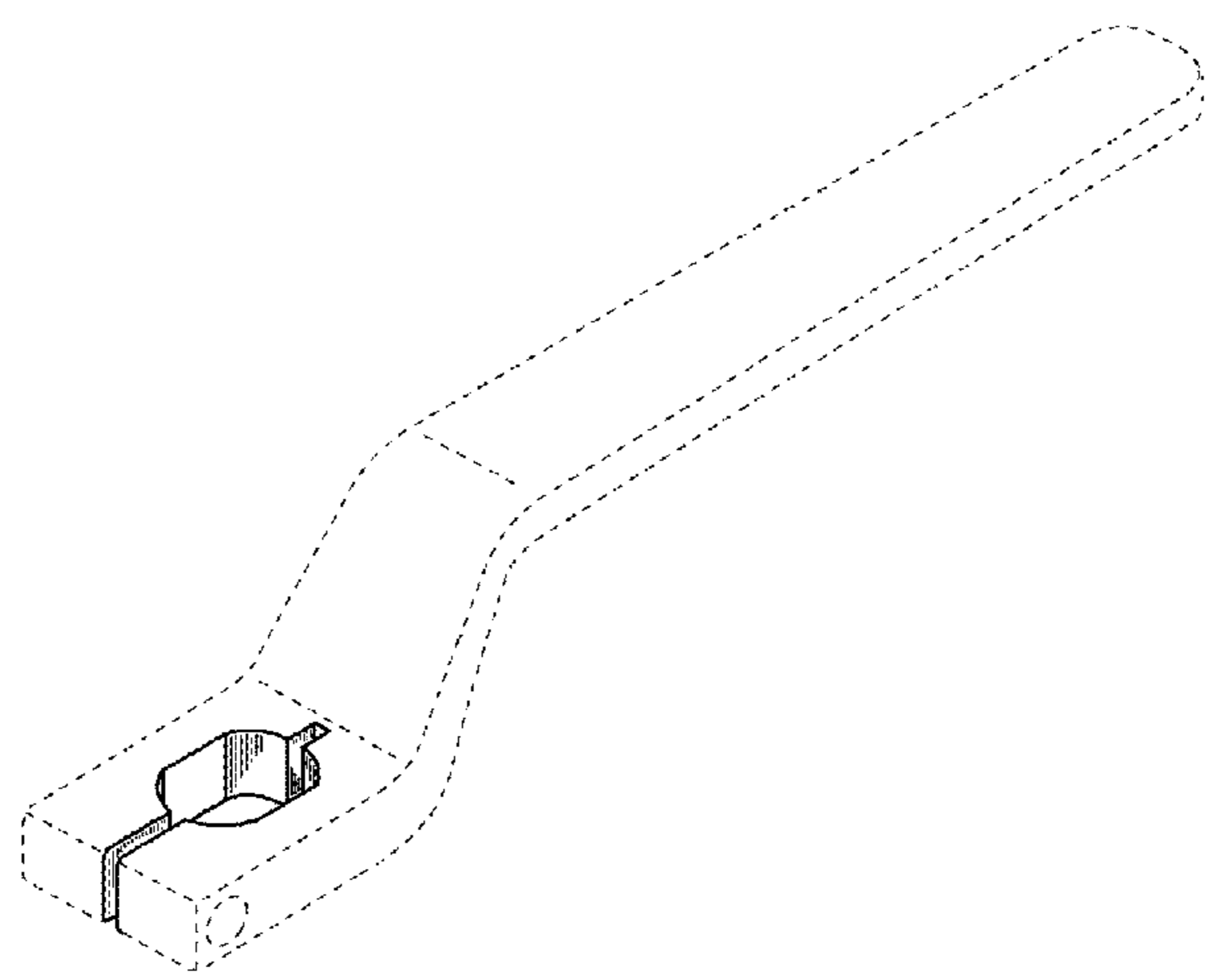
Primary Examiner — Lauren R Calve
 (74) *Attorney, Agent, or Firm* — Wenderoth, Lind & Ponack, L.L.P.

(57) **CLAIM**
 The ornamental design for a lever handle for valve, as shown and described.

DESCRIPTION

FIG. 1 is a perspective view of a lever handle for valve showing the new design;
 FIG. 2 is a front elevation view thereof;
 FIG. 3 is a rear elevation view thereof;
 FIG. 4 is a right side view thereof;
 FIG. 5 is a left side view thereof; and,
 FIG. 6 is a top plan view thereof, the bottom plan view being a mirror image thereof.
 The broken lines depict portions of the lever handle for valve that form no part of the claimed design.

1 Claim, 6 Drawing Sheets



(56)

References Cited

U.S. PATENT DOCUMENTS

6,098,503 A * 8/2000 Hlinka B25B 13/48
81/121.1
6,148,851 A * 11/2000 Friedline F16K 35/025
137/385
D444,855 S * 7/2001 Green D23/252
6,325,355 B1 * 12/2001 Johnson B60T 17/043
251/243
D472,449 S * 4/2003 Weinerman D8/330
D615,841 S * 5/2010 Donaldson D8/308
D617,172 S * 6/2010 DiVito D8/343
D661,969 S * 6/2012 Biddle D8/308
D665,879 S * 8/2012 Flowers D23/252
D732,924 S * 6/2015 Strydom D8/331
D763,057 S * 8/2016 Soper D8/330
D795,674 S * 8/2017 Schroll D8/343
D826,691 S * 8/2018 Peterse D8/343
2012/0153203 A1 * 6/2012 Rocheleau E03B 7/09
251/231
2012/0216636 A1 * 8/2012 Sokolofsky B60H 1/00857
74/48
2012/0261602 A1 * 10/2012 Sisk B60P 1/56
251/293
2014/0323989 A1 * 10/2014 Baker A61M 5/158
604/257

* cited by examiner

Fig. 1

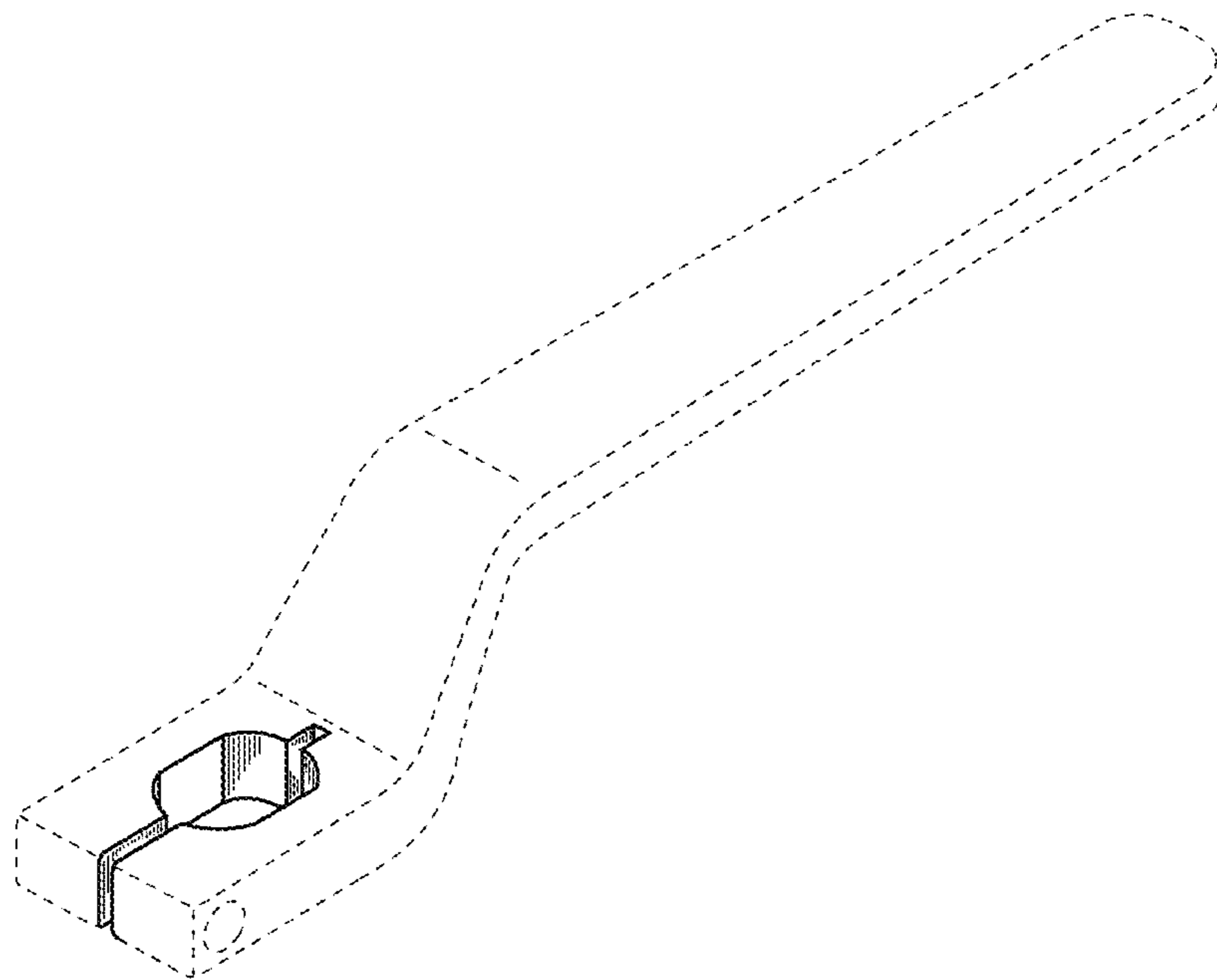


Fig. 2

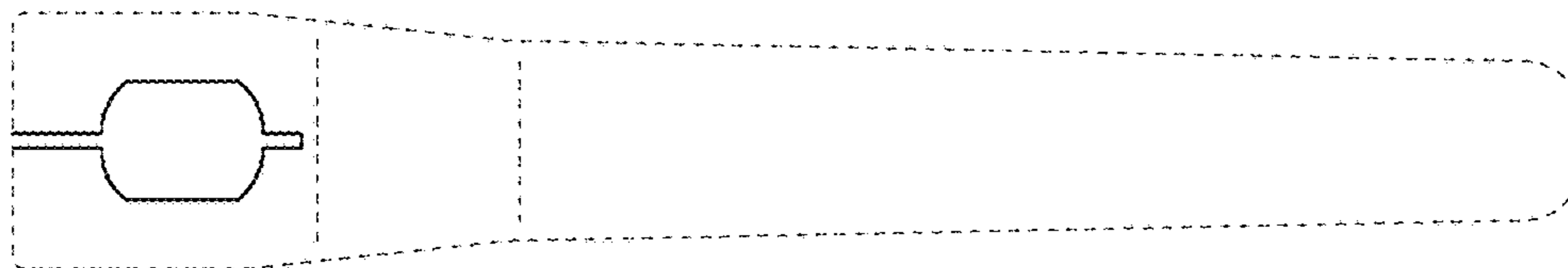


Fig. 3

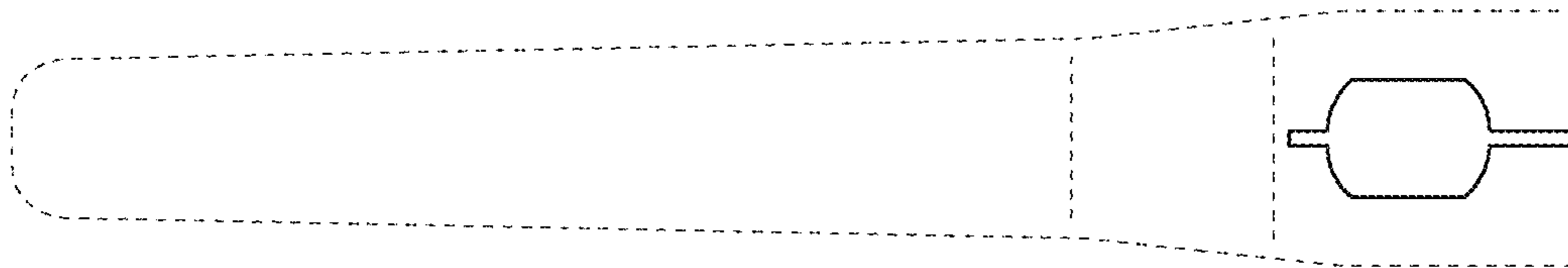


Fig. 4

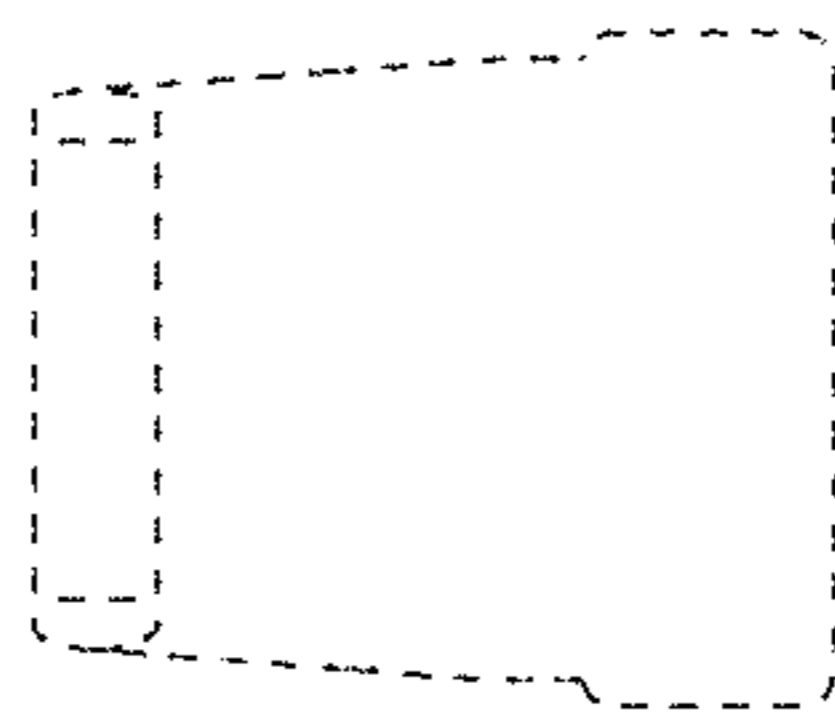


Fig. 5

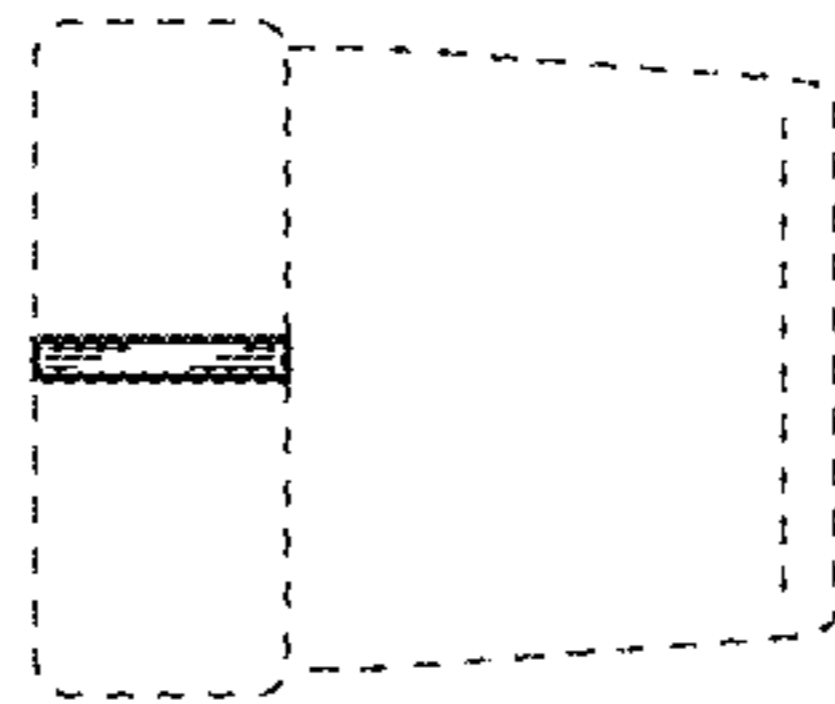


Fig. 6

