



US00D863021S

(12) **United States Design Patent** (10) **Patent No.:** **US D863,021 S**  
**Papafagos** (45) **Date of Patent:** **\*\* Oct. 15, 2019**

(54) **FLEX TAPER GRIP**

(56) **References Cited**

(71) Applicant: **Tectran Mfg. Inc.**, Cheektowaga, NY (US)

U.S. PATENT DOCUMENTS

(72) Inventor: **James C. Papafagos**, North Java, NY (US)

D28,992	S	*	7/1898	Eldon	.....	D8/303
4,091,497	A	*	5/1978	Bade	.....	B25G 1/10 16/430
D338,825	S	*	8/1993	Brainard	.....	D8/303
D345,685	S	*	4/1994	Lin	.....	D8/303
D435,773	S	*	1/2001	Lin	.....	D8/107
D440,605	S	*	4/2001	Izushima	.....	D19/203
6,561,058	B1	*	5/2003	Steinke	.....	B62K 21/26 74/551.8
D532,275	S	*	11/2006	Lin	.....	D8/107
D621,680	S	*	8/2010	Hsu	.....	D8/303
D622,327	S	*	8/2010	Roos	.....	D21/398
D634,087	S	*	3/2011	Sgroi	.....	D23/259
D647,382	S	*	10/2011	Flattinger	.....	D8/107
D682,067	S	*	5/2013	Tillet	.....	D8/107
D707,334	S	*	6/2014	Hernandez	.....	D23/266
D719,808	S	*	12/2014	Musser	.....	D8/107
D773,276	S	*	12/2016	Ou	.....	D8/107
D807,147	S	*	1/2018	Renault	.....	D8/303

(73) Assignee: **TECTRAN MFG. INC.**, Cheektowaga, NY (US)

(\*\*) Term: **15 Years**

(21) Appl. No.: **29/677,557**

(22) Filed: **Jan. 22, 2019**

**Related U.S. Application Data**

(62) Division of application No. 29/552,838, filed on Jan. 26, 2016.

(51) **LOC (12) Cl.** ..... **08-06**

(52) **U.S. Cl.**  
USPC ..... **D8/303; D8/107**

(58) **Field of Classification Search**  
USPC ..... D8/107, 300, 303, 307, 310, 321, 322;  
D23/250-254; D7/393, 394, 395, 396  
CPC ..... Y10T 16/469; Y10T 16/44; Y10T 16/466;  
Y10T 16/4713; Y10T 16/459; Y10T  
74/20828; Y10T 29/49826; Y10T  
74/20732; Y10T 16/4559; Y10T  
74/20864; Y10T 74/20822; A46B 5/026;  
A46B 2200/302; A46B 5/021; A47L  
13/022; A47L 1/06; A47L 13/20; A47L  
11/4075; B25G 1/10; B25G 1/00; B25G  
3/04; B25G 3/00; Y10S 16/12; Y10S  
16/19; Y10S 16/41; Y10S 16/90; Y10S  
16/40

See application file for complete search history.

(Continued)

*Primary Examiner* — Lauren R Calve

(74) *Attorney, Agent, or Firm* — Verrill Dana, LLP; John W. Powell

(57) **CLAIM**

I claim the ornamental design for a flex taper grip, as shown and described.

**DESCRIPTION**

FIG. 1 is a perspective view of a flex taper grip showing the new design.

FIG. 2 is a right side elevation view thereof, the left side elevation view being a mirror image.

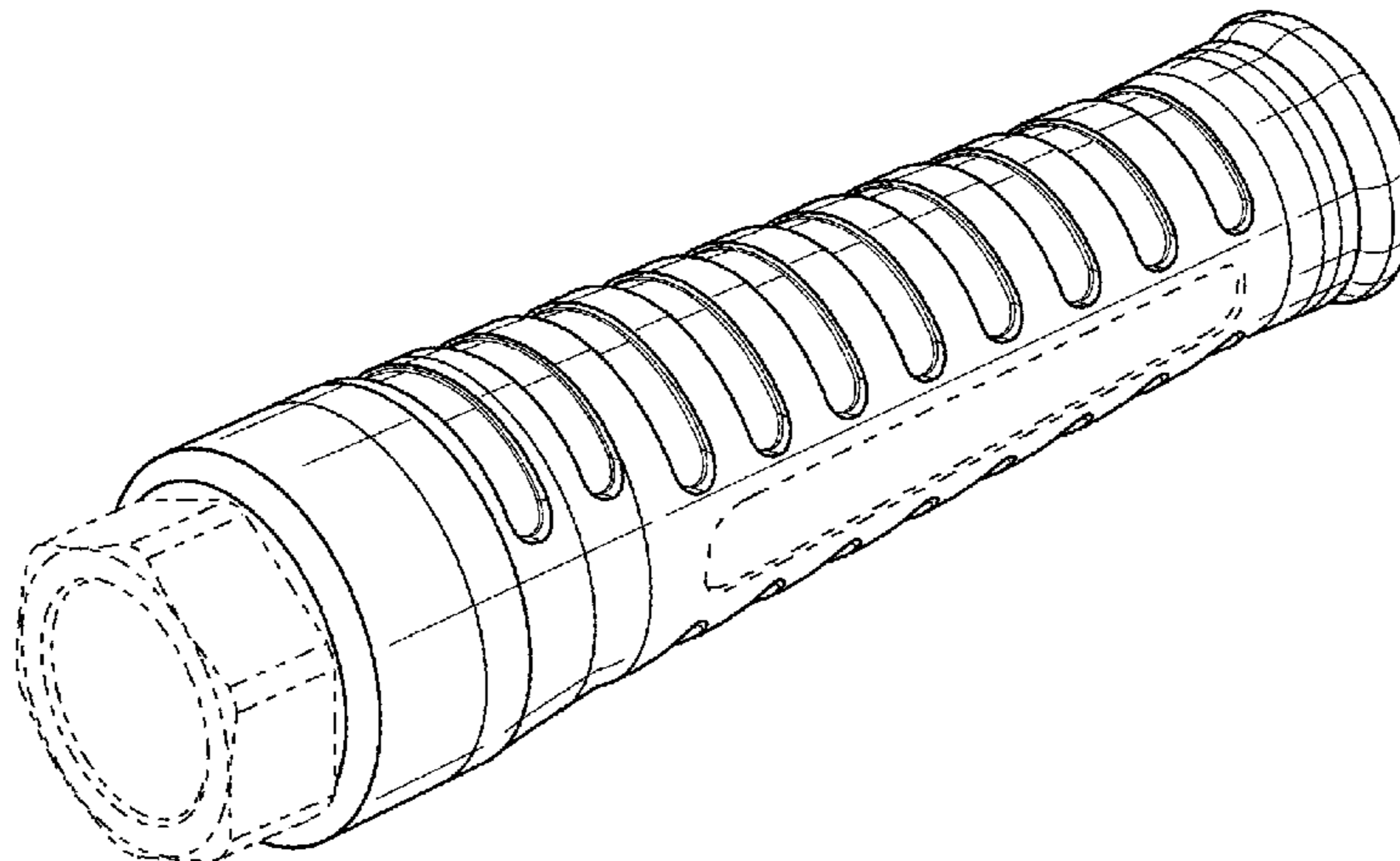
FIG. 3 is a right side sectional view thereof taken along lines 3-3 shown in FIG. 2.

FIG. 4 is a left end view of FIG. 1; and,

FIG. 5 is a right end view thereof.

The broken lines shown in the drawings depict portions of the flex taper grip that form no part of the claimed design.

**1 Claim, 3 Drawing Sheets**



(56)

**References Cited**

U.S. PATENT DOCUMENTS

D816,217 S \* 4/2018 Naughton ..... D24/130  
D823,091 S \* 7/2018 Burchard ..... D8/303  
D830,151 S \* 10/2018 Weinberg ..... D8/107  
2004/0016476 A1\* 1/2004 Lamers ..... B43L 23/02  
144/28.6  
2009/0139380 A1\* 6/2009 Pyatt ..... B25G 1/102  
81/489  
2010/0095812 A1\* 4/2010 Lai ..... B25B 23/0042  
81/438  
2014/0338245 A1\* 11/2014 Lanasa ..... F41C 23/16  
42/72  
2017/0211735 A1\* 7/2017 Papafagos ..... F16L 21/08  
2017/0297192 A1\* 10/2017 Ou ..... B25G 3/02

\* cited by examiner

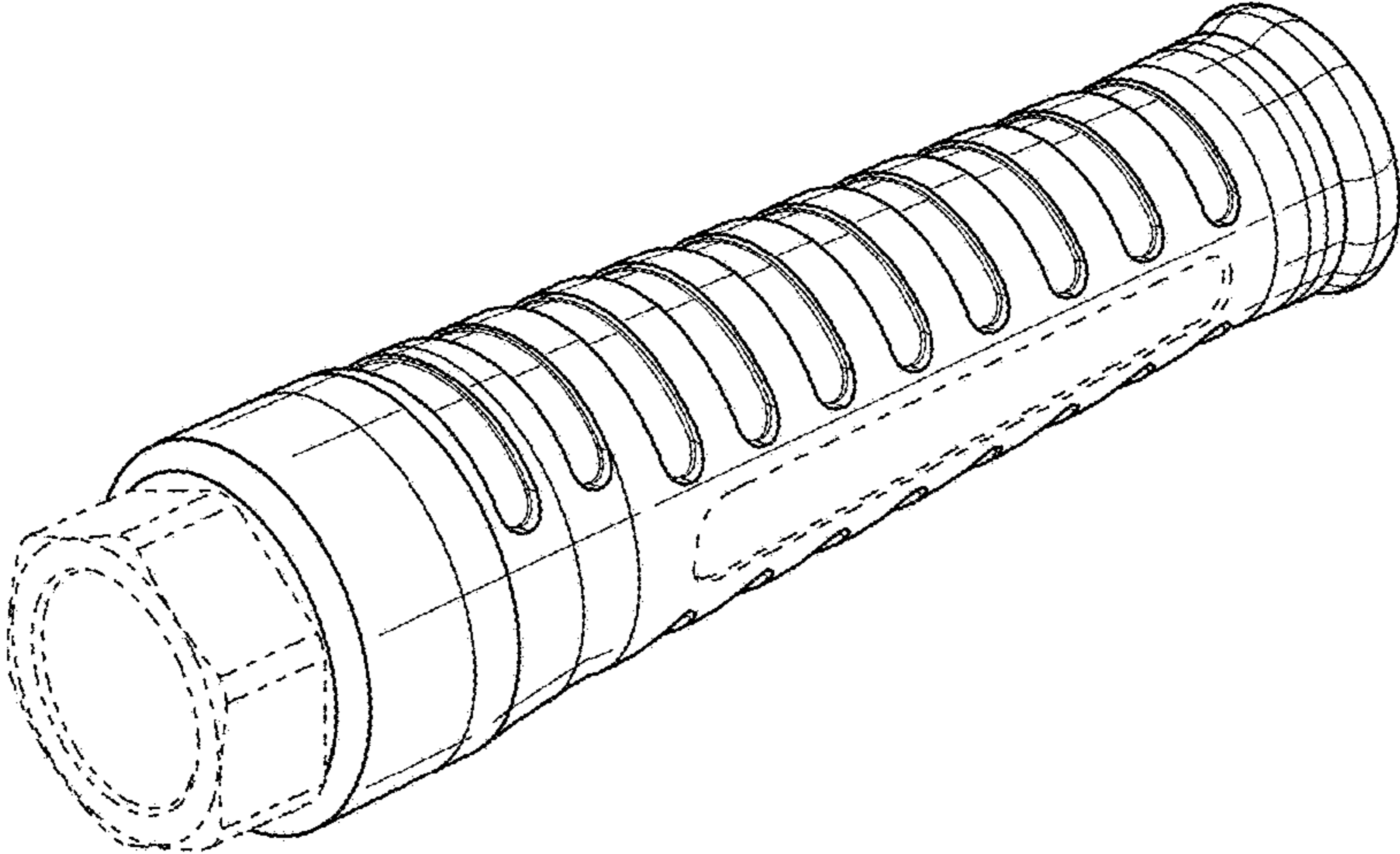


FIG. 1

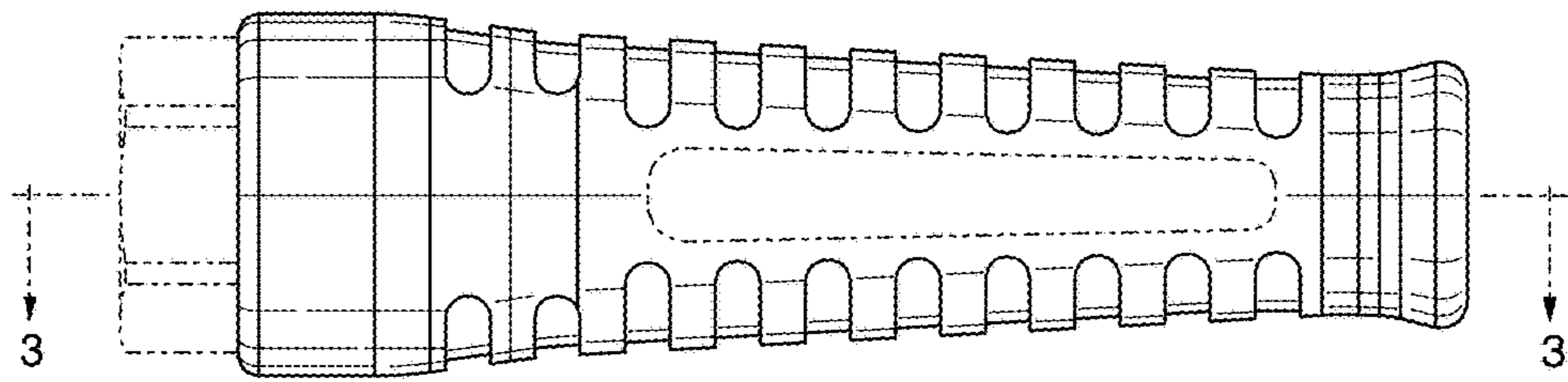


FIG. 2

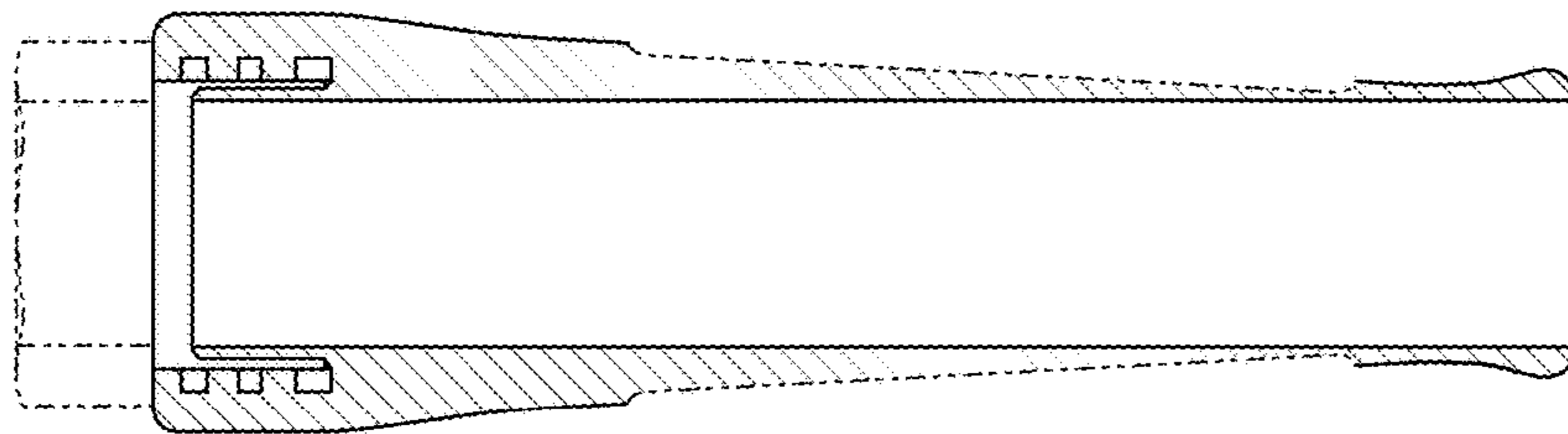


FIG. 3

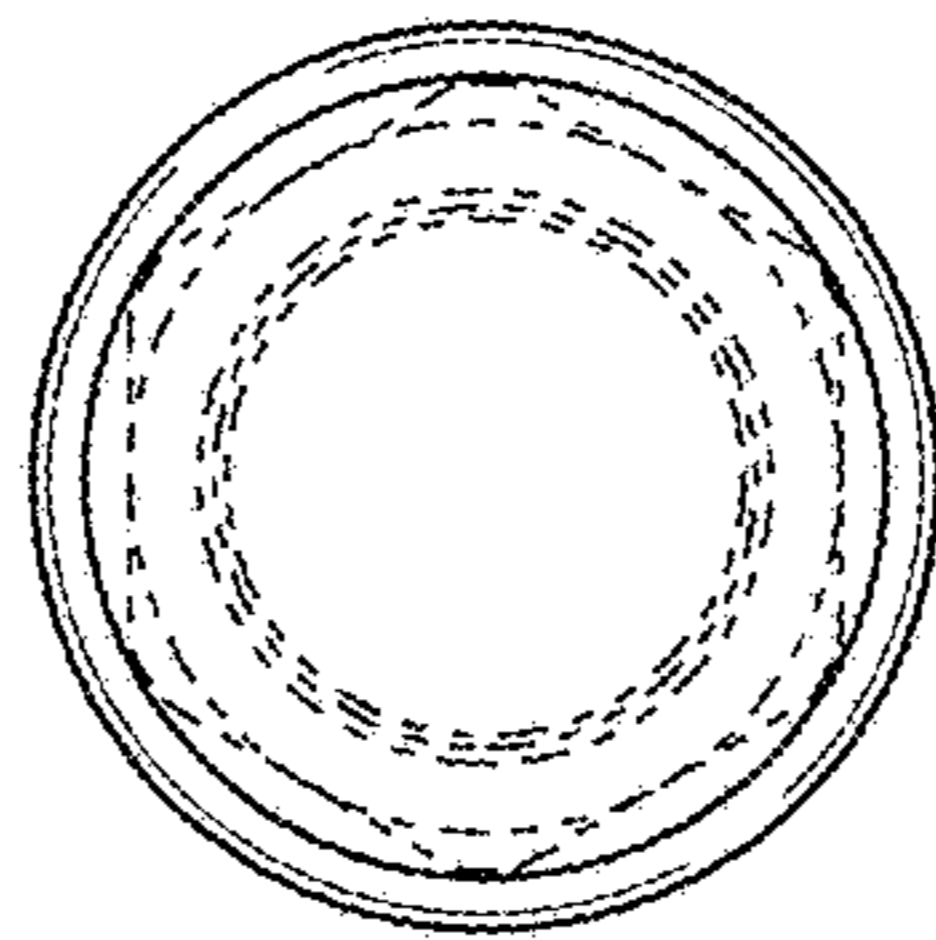


FIG. 4

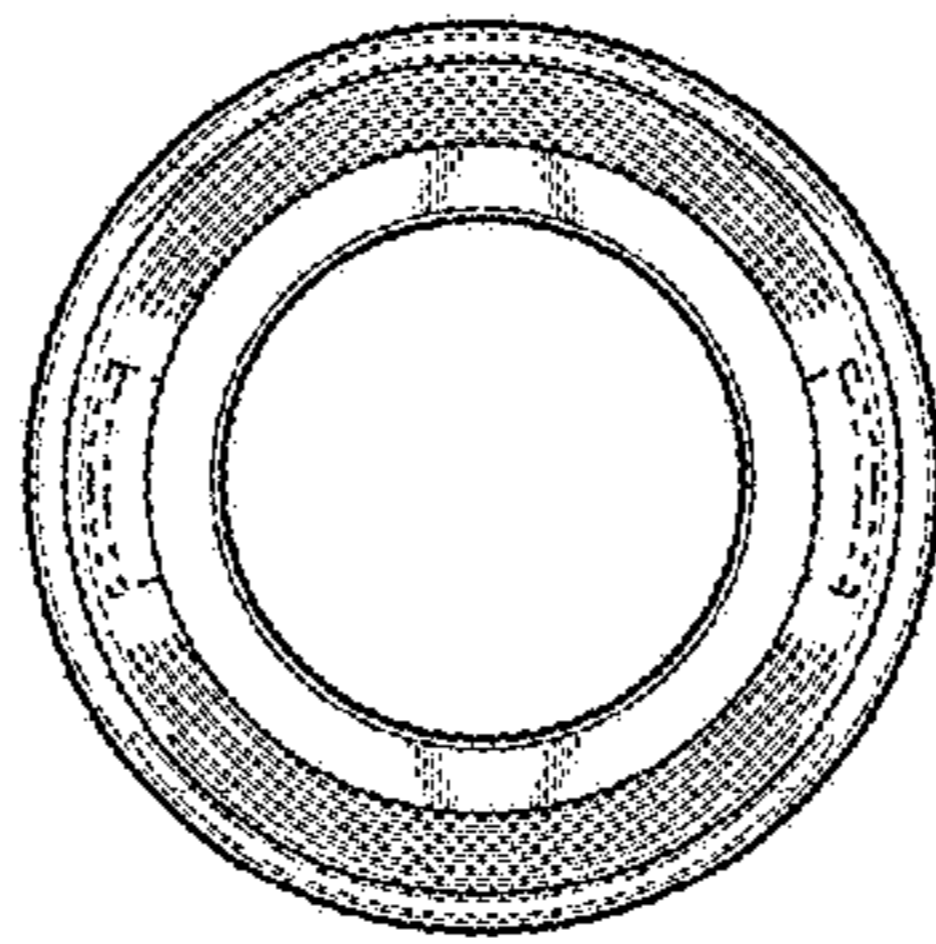


FIG. 5