



US00D863018S

(12) **United States Design Patent** (10) **Patent No.:** **US D863,018 S**
Hernandez, Jr. et al. (45) **Date of Patent:** **** Oct. 15, 2019**

(54) **DEMOLITION TOOL**
(71) Applicant: **Alltrade Tools LLC**, Cypress, CA (US)
(72) Inventors: **Hector R. Hernandez, Jr.**, Fullerton, CA (US); **Eric Hennings**, Orange, CA (US)

8,117,702 B2 2/2012 Woolley et al.
8,365,332 B2 2/2013 Allen et al.
8,567,760 B2 10/2013 Sindt
8,585,016 B2 11/2013 Woolley et al.
8,646,138 B2 2/2014 Allen et al.
8,752,223 B2 6/2014 Hanlon
8,914,929 B2 12/2014 Hanlon
9,024,994 B2* 5/2015 Book H04N 7/147
348/14.01
D752,940 S * 4/2016 Deng D8/81
9,670,042 B2* 6/2017 Liou B66F 15/00
2004/0261188 A1* 12/2004 Mathis B25D 1/00
7/145
2006/0075572 A1* 4/2006 Young B25B 13/48
7/138

(73) Assignee: **ALLTRADE TOOLS, LLC**, Cypress, CA (US)

(**) Term: **15 Years**

(21) Appl. No.: **29/616,758**

(22) Filed: **Sep. 8, 2017**

(51) **LOC (12) Cl.** **08-02**

(52) **U.S. Cl.**
USPC **D8/81**

(58) **Field of Classification Search**
USPC ... D8/14, 75, 76, 77, 78, 79, 80, 81, 88, 89, D8/105
CPC B25F 1/00; B25D 1/00; B25D 1/02; B25D 1/04; B25D 1/045; B25D 1/06; B25D 1/12; B66F 15/00; B25G 1/102
See application file for complete search history.

(56) **References Cited**
U.S. PATENT DOCUMENTS
D562,101 S * 2/2008 Martone D8/81
7,367,545 B1 5/2008 Chen
D572,106 S * 7/2008 Chen D8/81
D577,274 S * 9/2008 Chen D8/81
D588,894 S * 3/2009 Chen D8/81
D595,555 S * 7/2009 Vanderbeek D8/81
7,774,882 B2* 8/2010 Liou B25F 1/00
254/18
8,024,994 B2 9/2011 St. John et al.
8,056,170 B2 11/2011 Adams et al.

* cited by examiner

Primary Examiner — Philip S Hyder
(74) *Attorney, Agent, or Firm* — David J. Pitman;
Fulwider Patton LLP

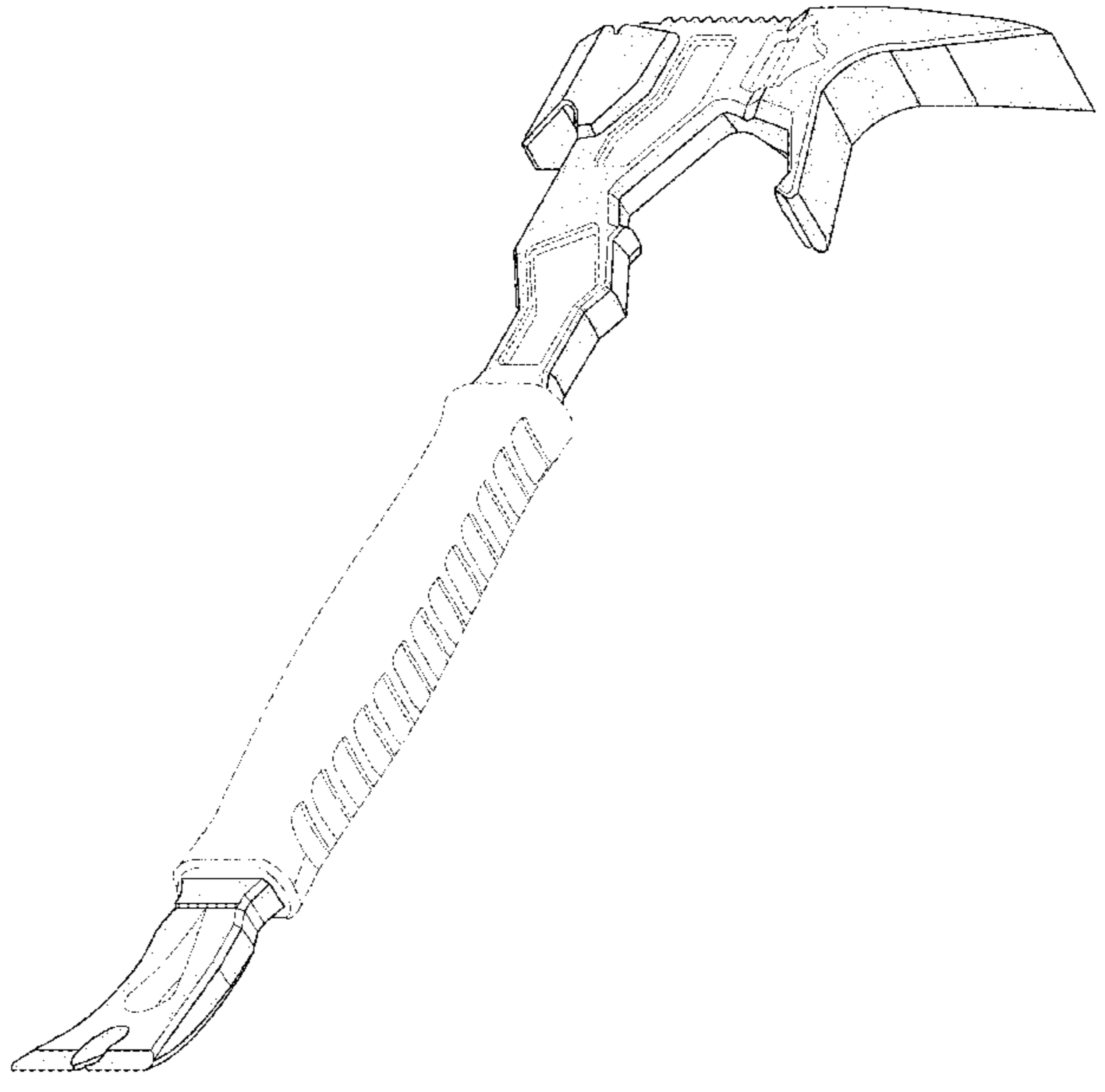
(57) **CLAIM**

The ornamental design for a demolition tool, as shown and described.

DESCRIPTION

FIG. 1 is a perspective view of a demotion tool, showing our new design;
FIG. 2 is a front view thereof;
FIG. 3 is a right-side view thereof;
FIG. 4 is a back view thereof;
FIG. 5 is a left side view thereof;
FIG. 6 is a bottom view thereof; and,
FIG. 7 is a top view thereof.
The broken lines depict portions of the demolition tool in which the design is embodied that are not considered part of the claimed design.

1 Claim, 4 Drawing Sheets



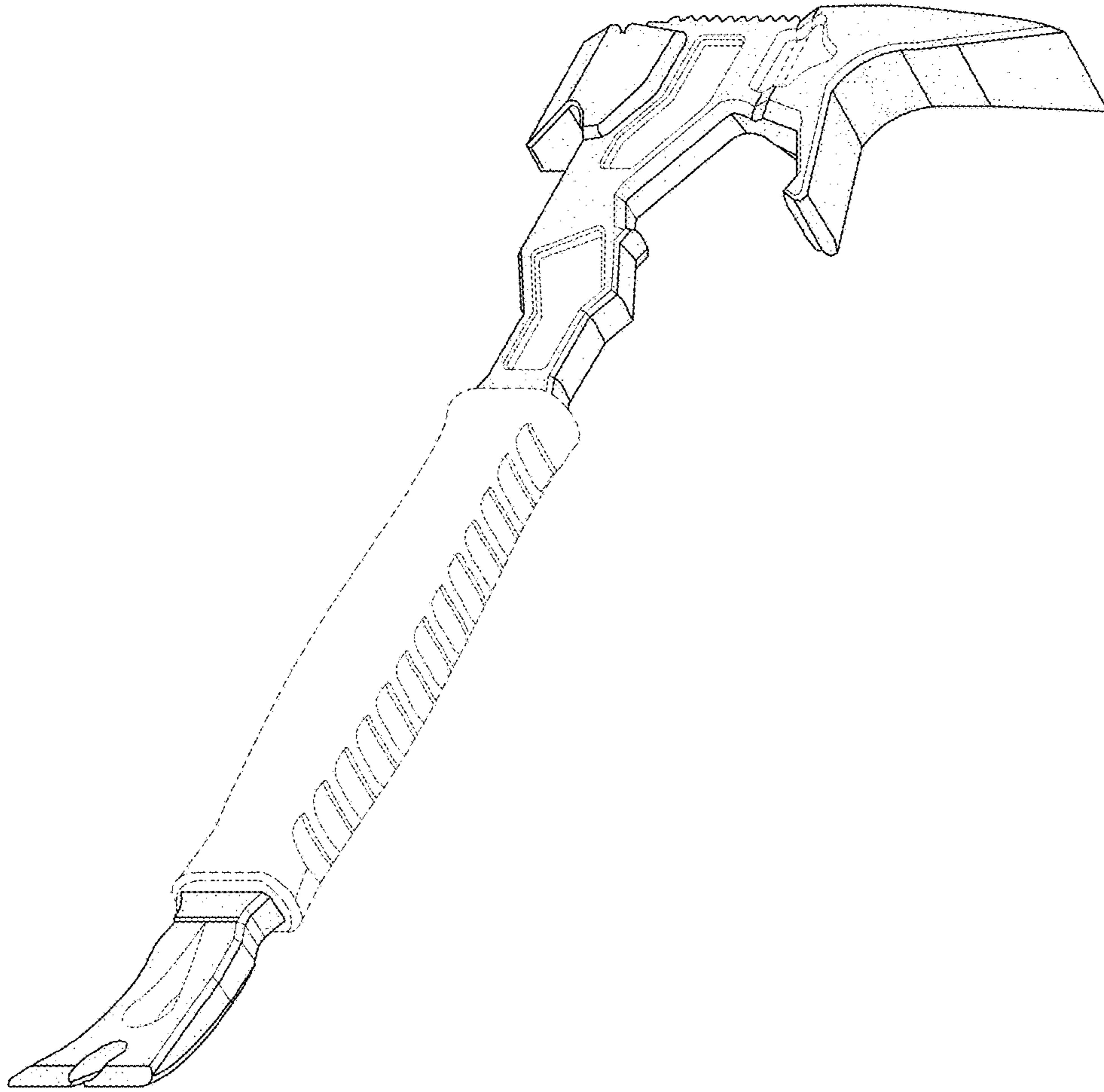


Fig. 1

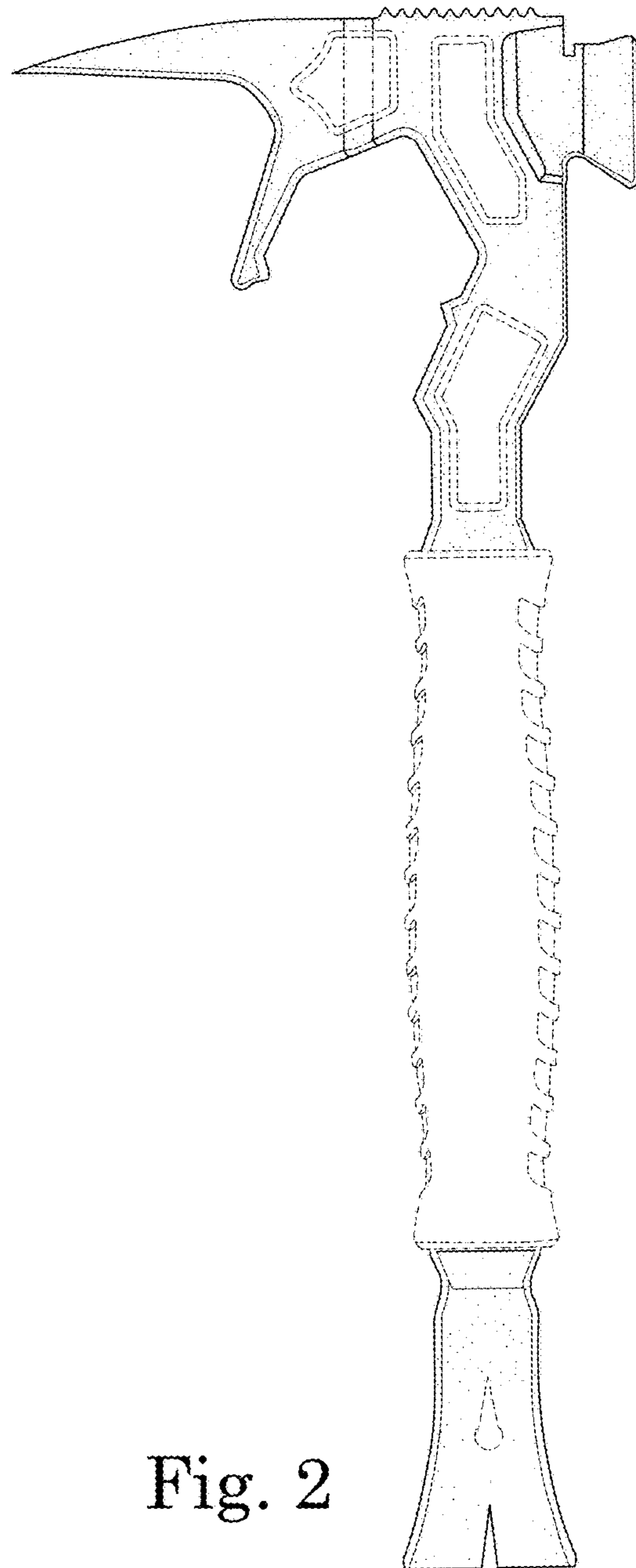


Fig. 2

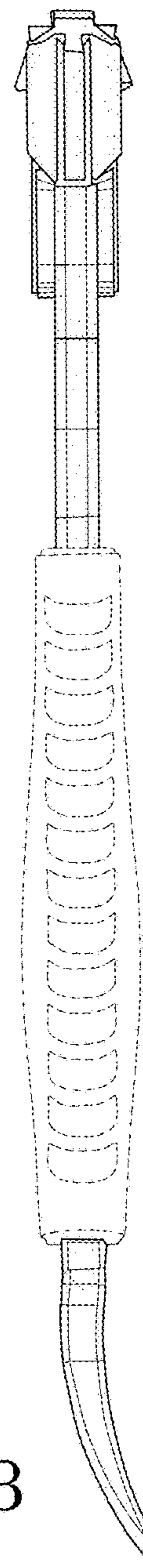


Fig. 3

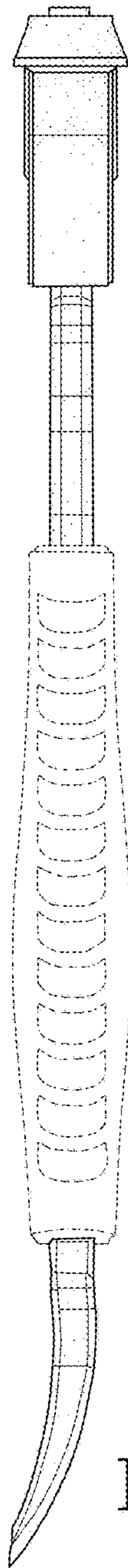


Fig. 4

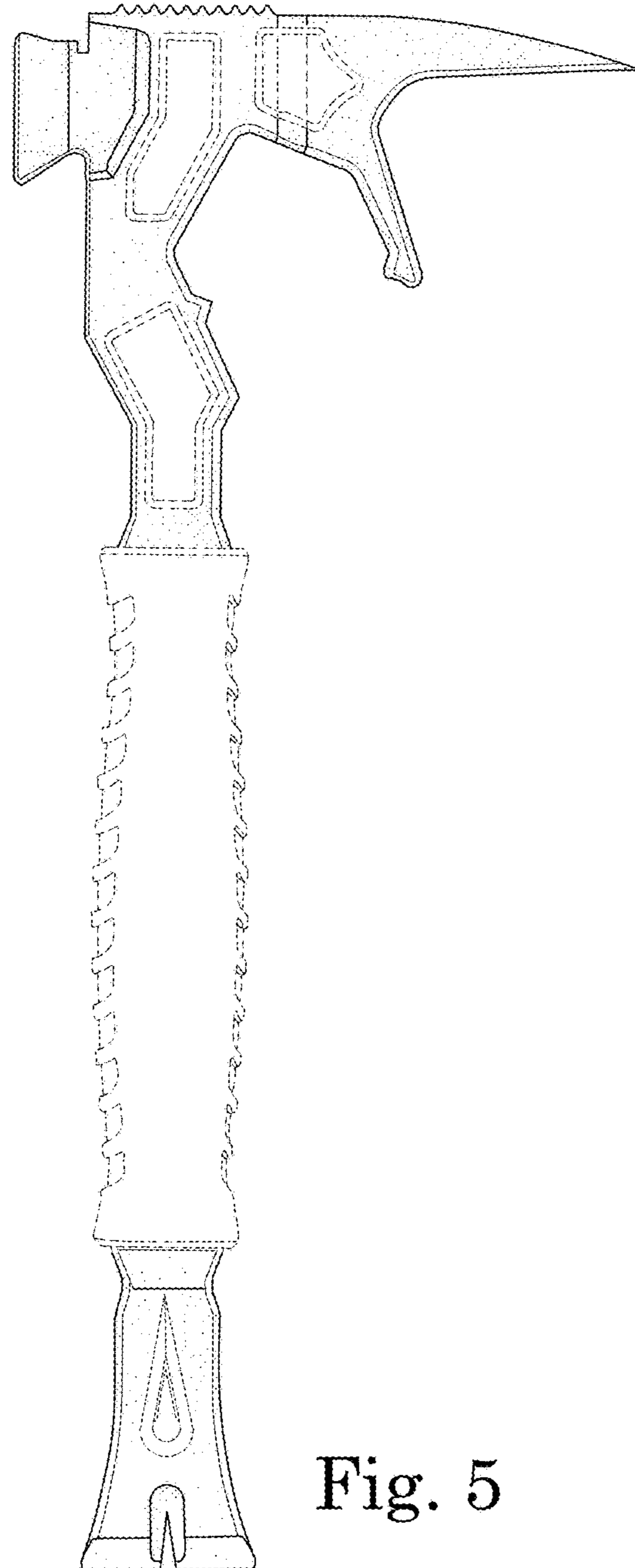


Fig. 5

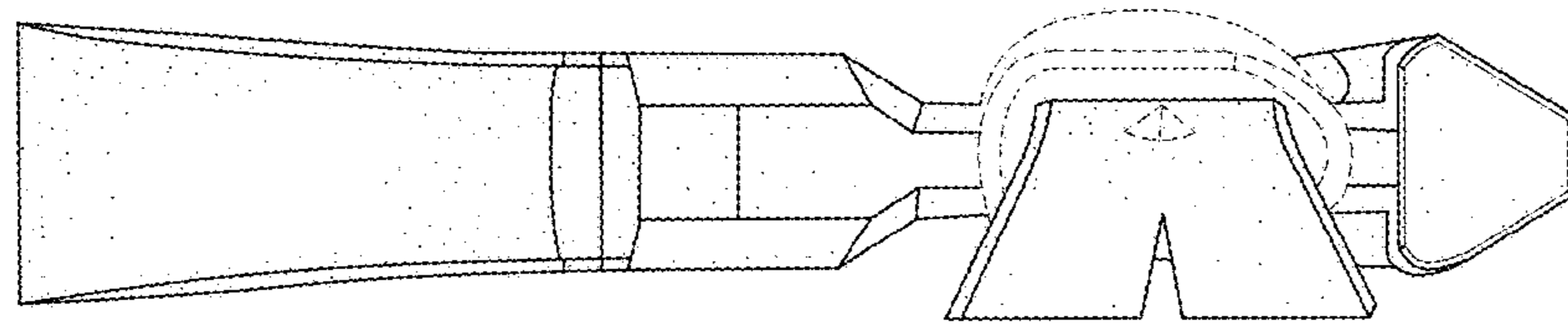


Fig. 6

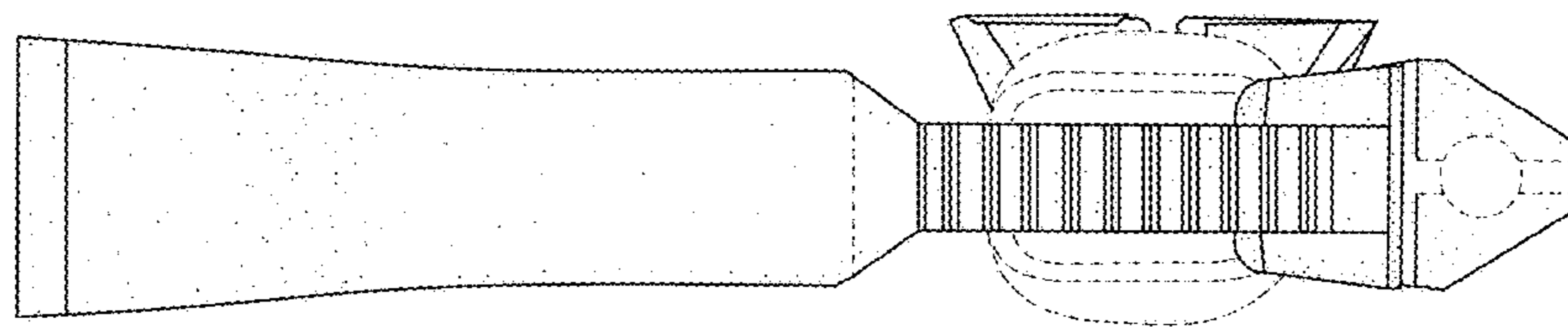


Fig. 7