



US00D863017S

(12) **United States Design Patent** (10) **Patent No.:** **US D863,017 S**
Mefferd (45) **Date of Patent:** **** Oct. 15, 2019**

(54) **TOOL AND RIGGING HOLDER**
(71) Applicant: **Jordan T. Mefferd**, Anaheim, CA (US)
(72) Inventor: **Jordan T. Mefferd**, Anaheim, CA (US)
(**) Term: **15 Years**
(21) Appl. No.: **29/653,115**
(22) Filed: **Jun. 12, 2018**
(51) **LOC (12) Cl.** **08-05**
(52) **U.S. Cl.**
USPC **D8/71**
(58) **Field of Classification Search**
USPC D8/71, 72, 73, 74, 373; D6/400, 553,
D6/569, 328, 513; D15/133, 140
CPC B25H 3/04; B25H 3/003; F16M 13/02
See application file for complete search history.

6,062,449 A 5/2000 Kahn
6,102,215 A * 8/2000 Guida B60P 3/14
206/384
6,641,099 B1 * 11/2003 Lue B25H 3/04
211/70.6
6,655,560 B2 12/2003 Kahn
7,470,141 B2 12/2008 Yoest
8,678,455 B2 3/2014 Krogh
D725,406 S * 3/2015 Olszewski D6/567
9,072,364 B2 7/2015 Johnson et al.
D793,088 S * 8/2017 Ou D3/315
D811,202 S * 2/2018 Goodman D8/370
2004/0032138 A1 2/2004 Bancroft
2007/0210021 A1 9/2007 Whitehead et al.
(Continued)

(56) **References Cited**

U.S. PATENT DOCUMENTS

732,884 A 7/1903 Normandin
1,250,602 A 12/1917 Lobdell
1,695,960 A 12/1928 Hackworth
2,680,644 A 6/1954 Marconi
2,690,926 A 10/1954 Betz
2,815,863 A * 12/1957 Larson A47B 81/007
211/70.1
3,603,551 A * 9/1971 Peterson A47F 7/0028
248/314
3,897,097 A 7/1975 Davis
3,930,585 A 1/1976 Lynch
4,343,172 A 8/1982 Nordlund
4,549,759 A 10/1985 Fowler
4,653,637 A * 3/1987 Wallace B25H 3/04
206/372
D294,548 S * 3/1988 Wallace D6/558
5,071,183 A 12/1991 McDermott et al.
D392,142 S * 3/1998 Weisburn D6/553
D392,827 S * 3/1998 Yemini D6/574
D401,461 S * 11/1998 Laga D6/566

FOREIGN PATENT DOCUMENTS

CN 201635227 11/2010
CN 203568666 4/2014

Primary Examiner — Janice Hallmark
Assistant Examiner — Harold E Blackwell, II
(74) *Attorney, Agent, or Firm* — Law Office of Paul B. Johnson; Paul B. Johnson

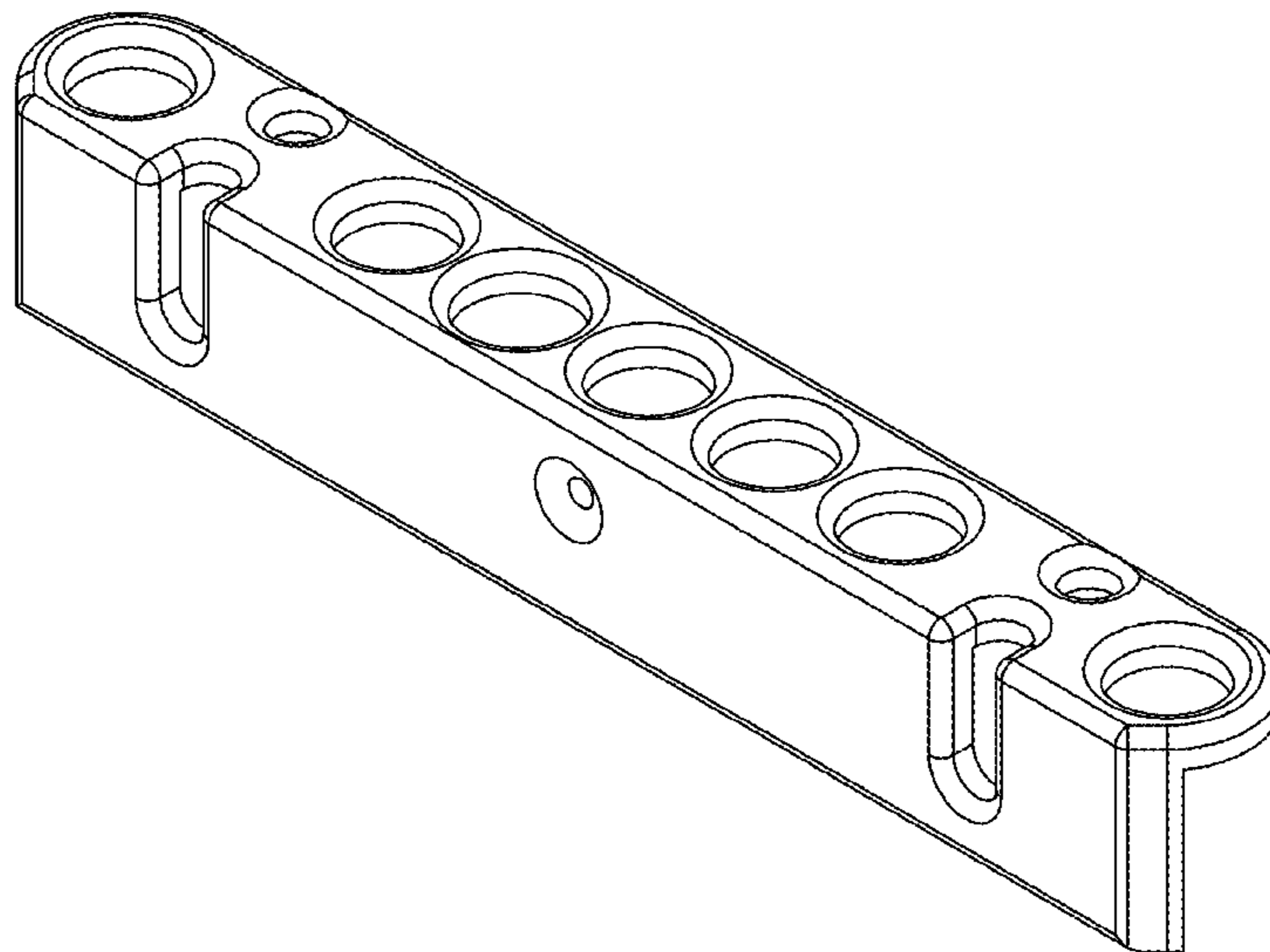
(57) **CLAIM**

The ornamental design for a tool and rigging holder, as shown and described.

DESCRIPTION

FIG. 1 is a top, rear perspective view of the tool and rigging holder showing the new design;
FIG. 2 is a top, front perspective view thereof;
FIG. 3 is a bottom, front perspective view thereof;
FIG. 4 is a top view thereof;
FIG. 5 is a front view thereof;
FIG. 6 is a bottom view thereof;
FIG. 7 is a rear view thereof; and,
FIG. 8 is a left-side view thereof, the right-side view being a mirror image.

1 Claim, 6 Drawing Sheets



(56)

References Cited

U.S. PATENT DOCUMENTS

2009/0107062	A1	4/2009	Pedersen	
2010/0078950	A1	4/2010	Inda	
2011/0298230	A1	12/2011	Graham	
2013/0221172	A1*	8/2013	Owen A47G 25/145 248/205.3
2014/0097217	A1	4/2014	Walsh	
2015/0151692	A1	6/2015	Sprang, Jr.	
2015/0209954	A1	7/2015	Hokanson	
2019/0126461	A1*	5/2019	Mefferd B25H 3/04

* cited by examiner

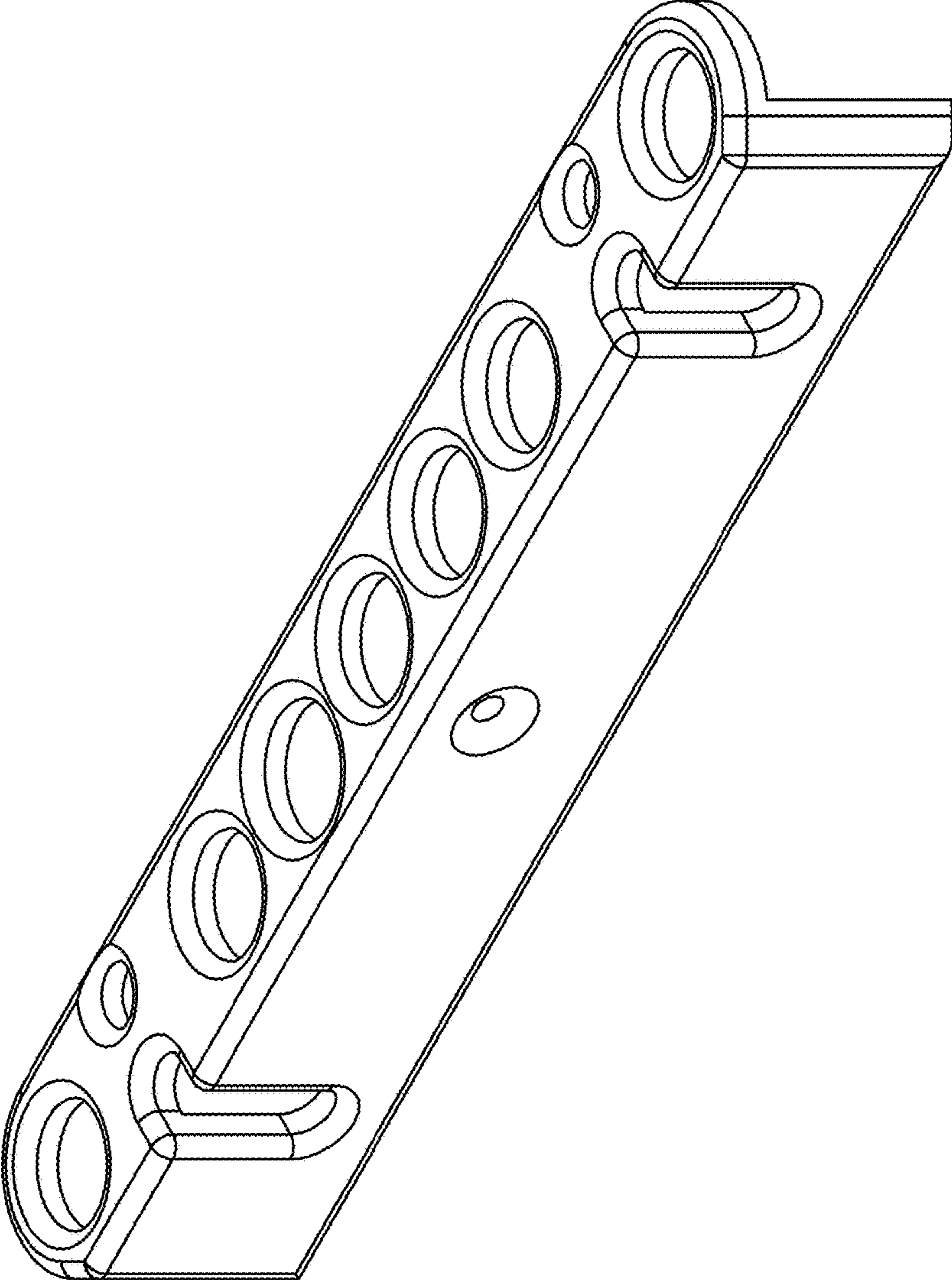


FIG. 1

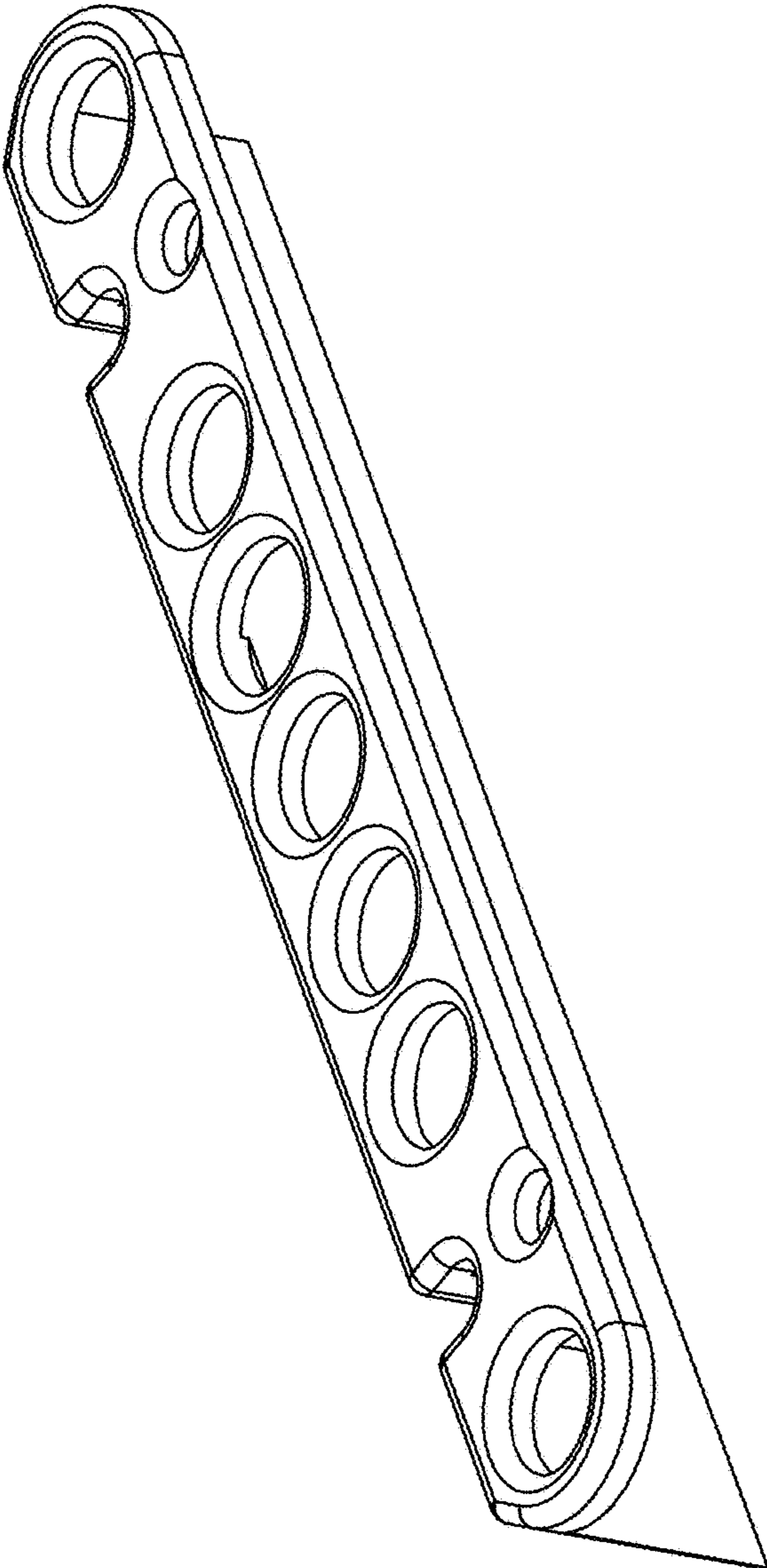


FIG. 2

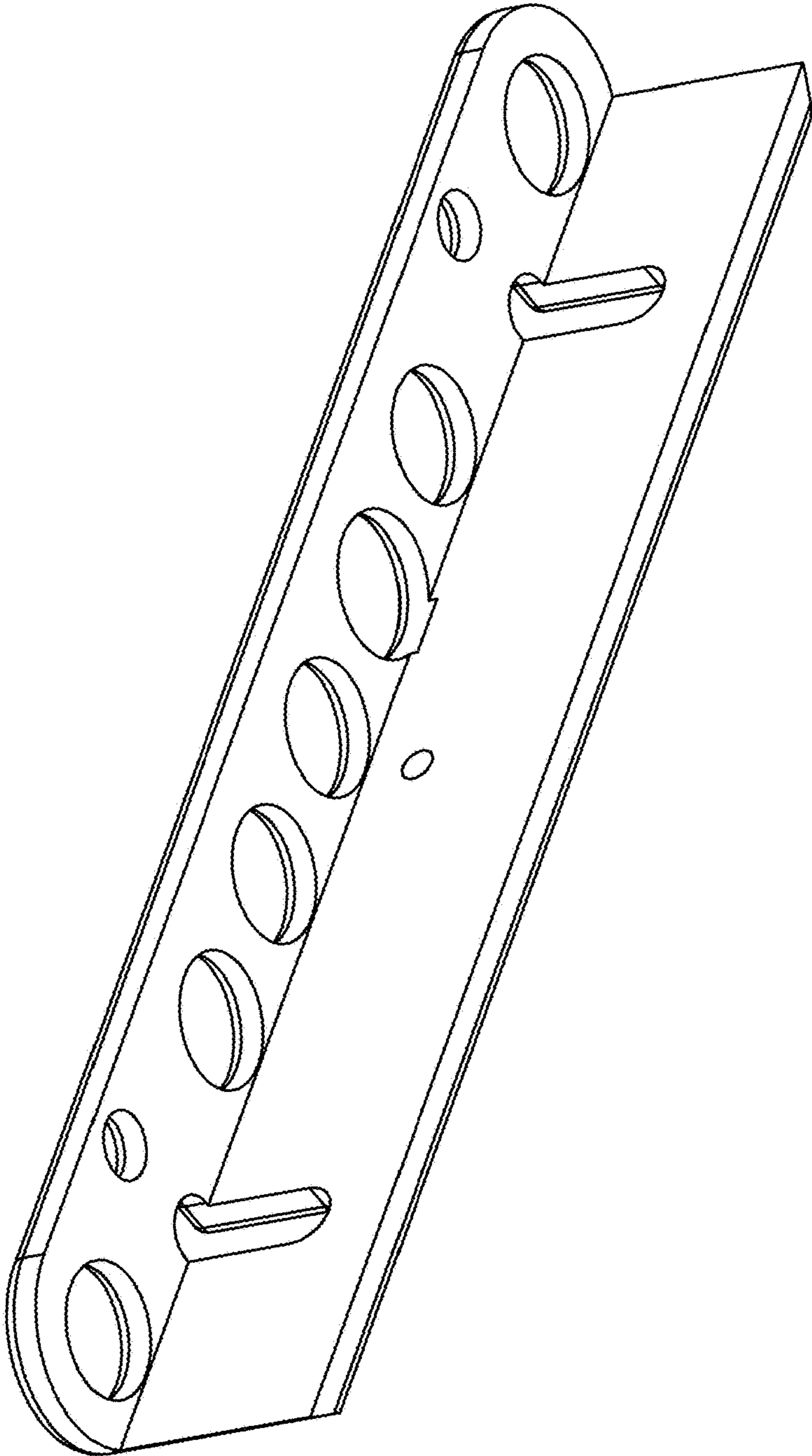


FIG. 3

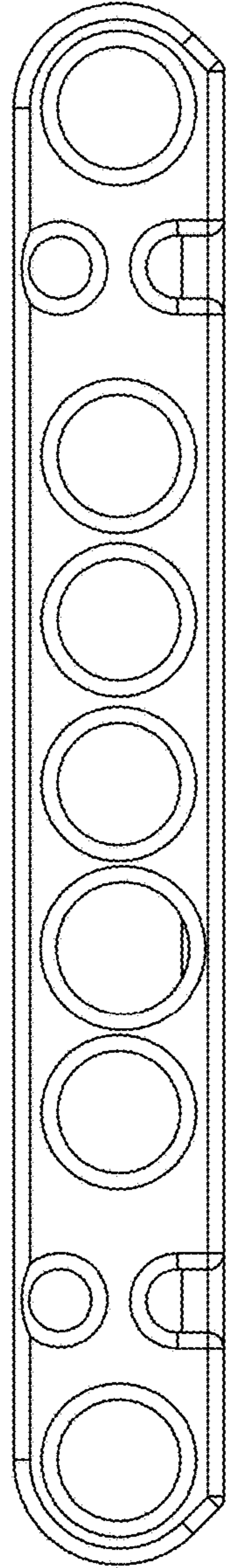


FIG. 4

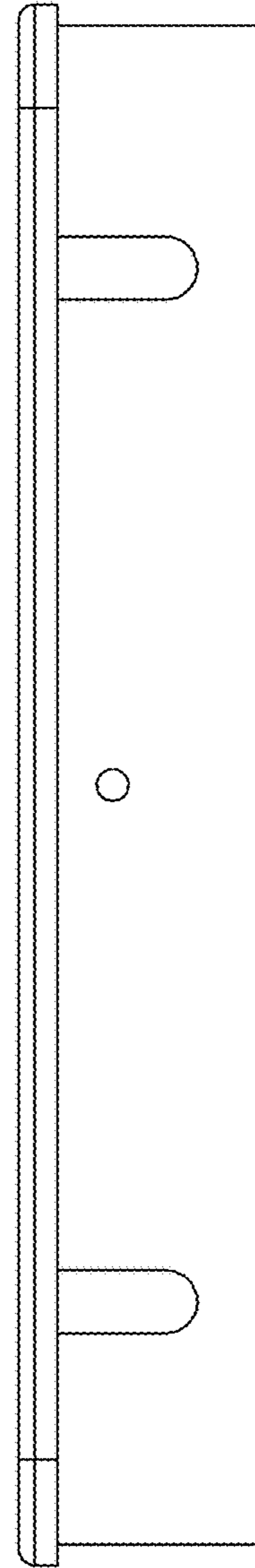


FIG. 5

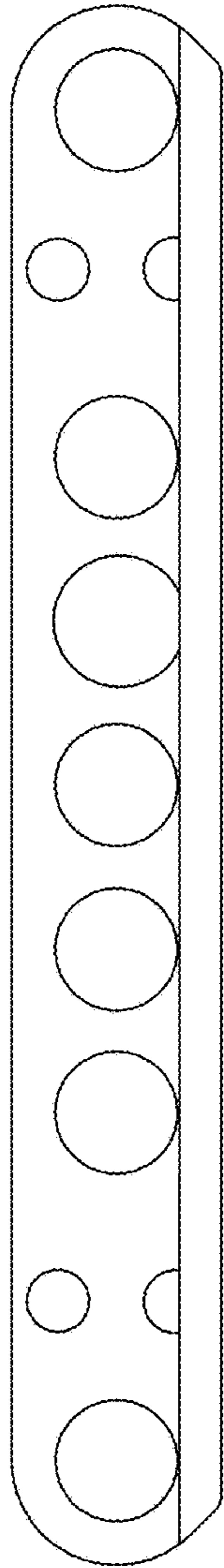


FIG. 6

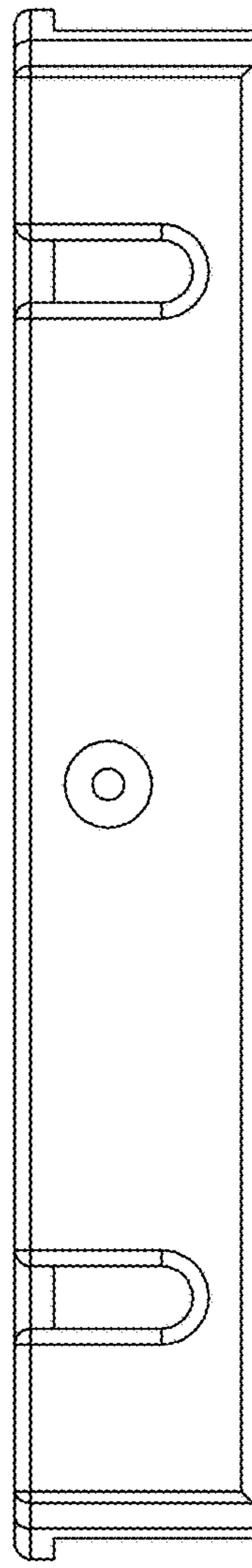


FIG. 7

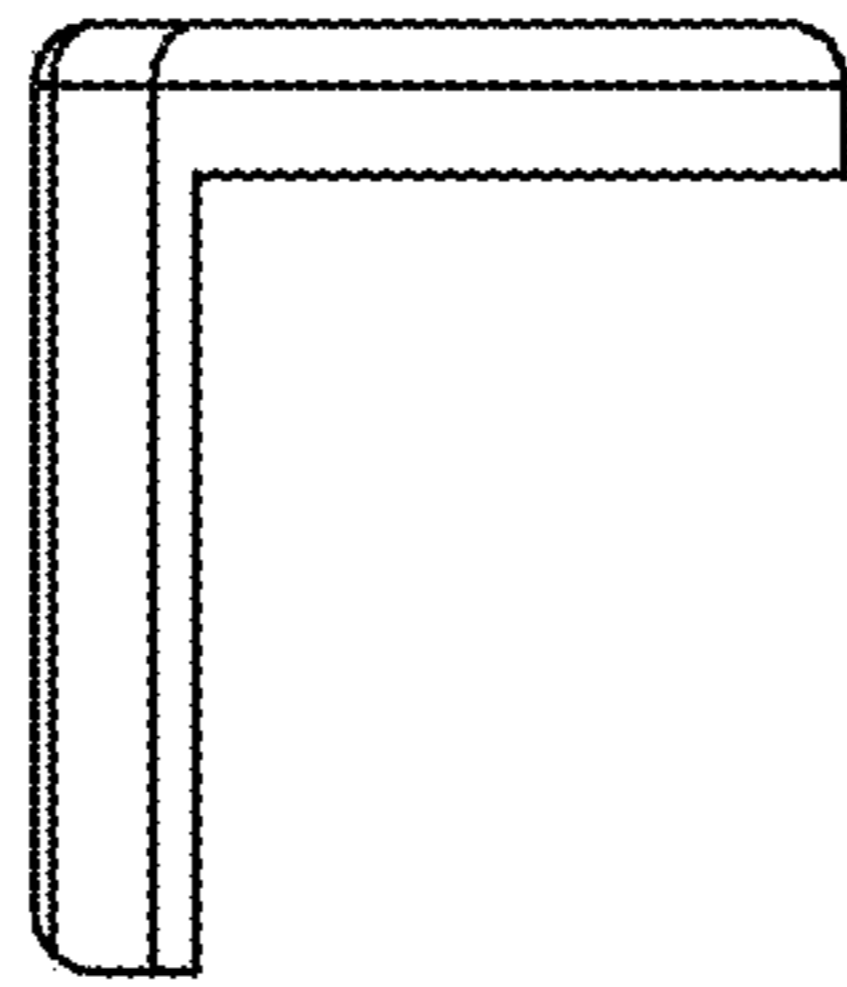


FIG. 8