



US00D863016S

(12) **United States Design Patent** (10) **Patent No.:** **US D863,016 S**
Wilmes et al. (45) **Date of Patent:** **** Oct. 15, 2019**

(54) **INFLATION GUN**

(71) Applicant: **Campbell Hausfeld, LLC**, Harrison, OH (US)

(72) Inventors: **Darrin W. Wilmes**, Cincinnati, OH (US); **Nicholas Steven Hafele**, Cincinnati, OH (US)

(73) Assignee: **Campbell Hausfeld, LLC**, Harrison, OH (US)

(**) Term: **15 Years**

(21) Appl. No.: **29/618,077**

(22) Filed: **Sep. 19, 2017**

(51) **LOC (12) Cl.** **08-05**

(52) **U.S. Cl.**
USPC **D8/68**

(58) **Field of Classification Search**
USPC D8/61, 67, 68
CPC B62D 23/005; B62D 29/00; B62D 29/043;
B62D 31/00; B62D 33/046; B62D 35/00;
B62D 35/001; B60Q 1/0005
See application file for complete search history.

(56) **References Cited**

U.S. PATENT DOCUMENTS

1,666,283 A	4/1928	Farley
1,933,610 A	11/1933	Wahl
2,047,405 A	7/1936	Byars
2,501,801 A	3/1950	Wallin
2,942,507 A	6/1960	Fischer et al.
3,480,087 A	11/1969	Boeger
3,482,781 A	12/1969	Sharpe
4,116,245 A	9/1978	Ayers
4,658,869 A	4/1987	Soon-Fu
4,998,438 A	3/1991	Martin
5,351,562 A	10/1994	Scott

5,590,696 A *	1/1997	Phillips	B60S 5/043
			141/19
5,832,974 A *	11/1998	Jou	B08B 5/02
			141/392
5,878,774 A *	3/1999	Zanetti	B60S 5/043
			137/228

(Continued)

FOREIGN PATENT DOCUMENTS

EP	1247586 A1	10/2002
WO	200695144 A1	9/2006

Primary Examiner — Darlington Ly

(74) *Attorney, Agent, or Firm* — Banner & Witcoff, Ltd.

(57) **CLAIM**

The ornamental design for an inflation gun, as shown and described.

DESCRIPTION

FIG. 1 is a front and right side perspective view of an inflation gun showing our new design in accordance to a first embodiment;

FIG. 2 is a front and left side perspective view thereof;

FIG. 3 is a front elevation view thereof;

FIG. 4 is a rear elevation view thereof;

FIG. 5 is a left side elevation view thereof;

FIG. 6 is a right side elevation view thereof;

FIG. 7 is a bottom plan view thereof; and

FIG. 8 is a top plan view thereof.

FIG. 9 is a front and right side perspective view of an inflation gun showing our new design in accordance to a second embodiment;

FIG. 10 is a front and left side perspective view thereof;

FIG. 11 is a front elevation view thereof;

FIG. 12 is a rear elevation view thereof;

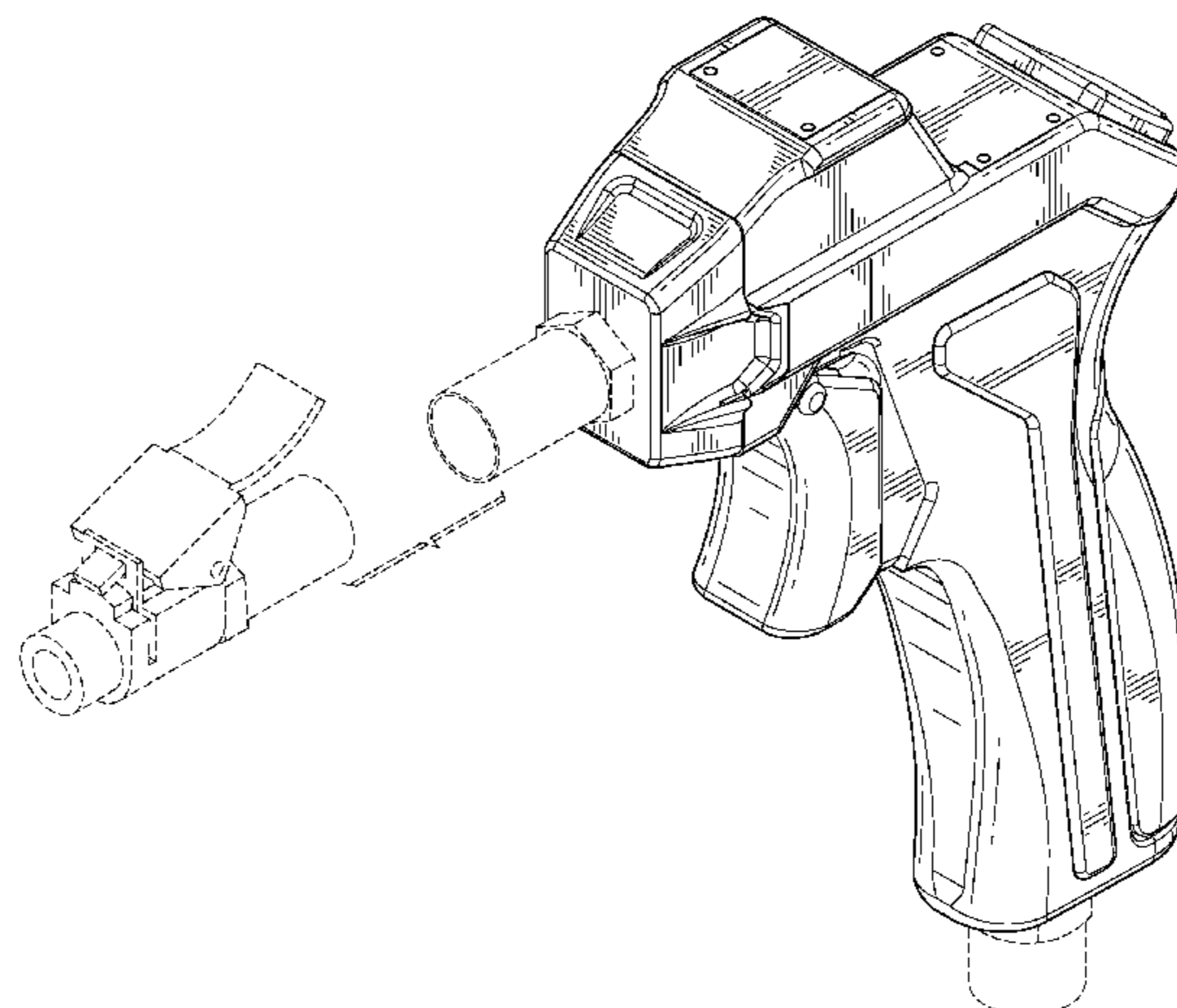
FIG. 13 is a left side elevation view thereof;

FIG. 14 is a right side elevation view thereof;

FIG. 15 is a bottom plan view thereof; and,

FIG. 16 is a top plan view thereof.

(Continued)



The broken lines in the drawings illustrate portions of the inflation gun that form no part of the claimed design.

1 Claim, 12 Drawing Sheets

(56)

References Cited

U.S. PATENT DOCUMENTS

6,145,161	A *	11/2000	Jou	B05B 1/005 15/331
6,572,000	B2	6/2003	Hirai et al.	
6,585,173	B2	7/2003	Schmon et al.	
6,698,672	B1 *	3/2004	Linkletter	B05B 1/005 239/526
6,892,921	B2	5/2005	Beville	
7,017,838	B2	3/2006	Schmon	
7,021,514	B2	4/2006	Beville	
7,216,813	B2	5/2007	Rogers	
7,249,519	B2	7/2007	Rogers	
7,384,004	B2	6/2008	Rogers	
7,422,164	B2	9/2008	Matsumoto	
7,458,270	B2	12/2008	Kiefer et al.	
7,509,864	B2	3/2009	Charpie	
8,418,713	B2	4/2013	Huang	
D826,022	S *	8/2018	Lam	D8/68
2010/0006176	A1 *	1/2010	Pansegrouw	B63B 25/24 141/10
2011/0005787	A1	1/2011	Friberg et al.	
2012/0012671	A1	1/2012	Brose et al.	
2012/0114505	A1 *	5/2012	Pansegrouw	B60P 7/065 417/54
2018/0216612	A1 *	8/2018	Khubani	F04B 49/022

* cited by examiner

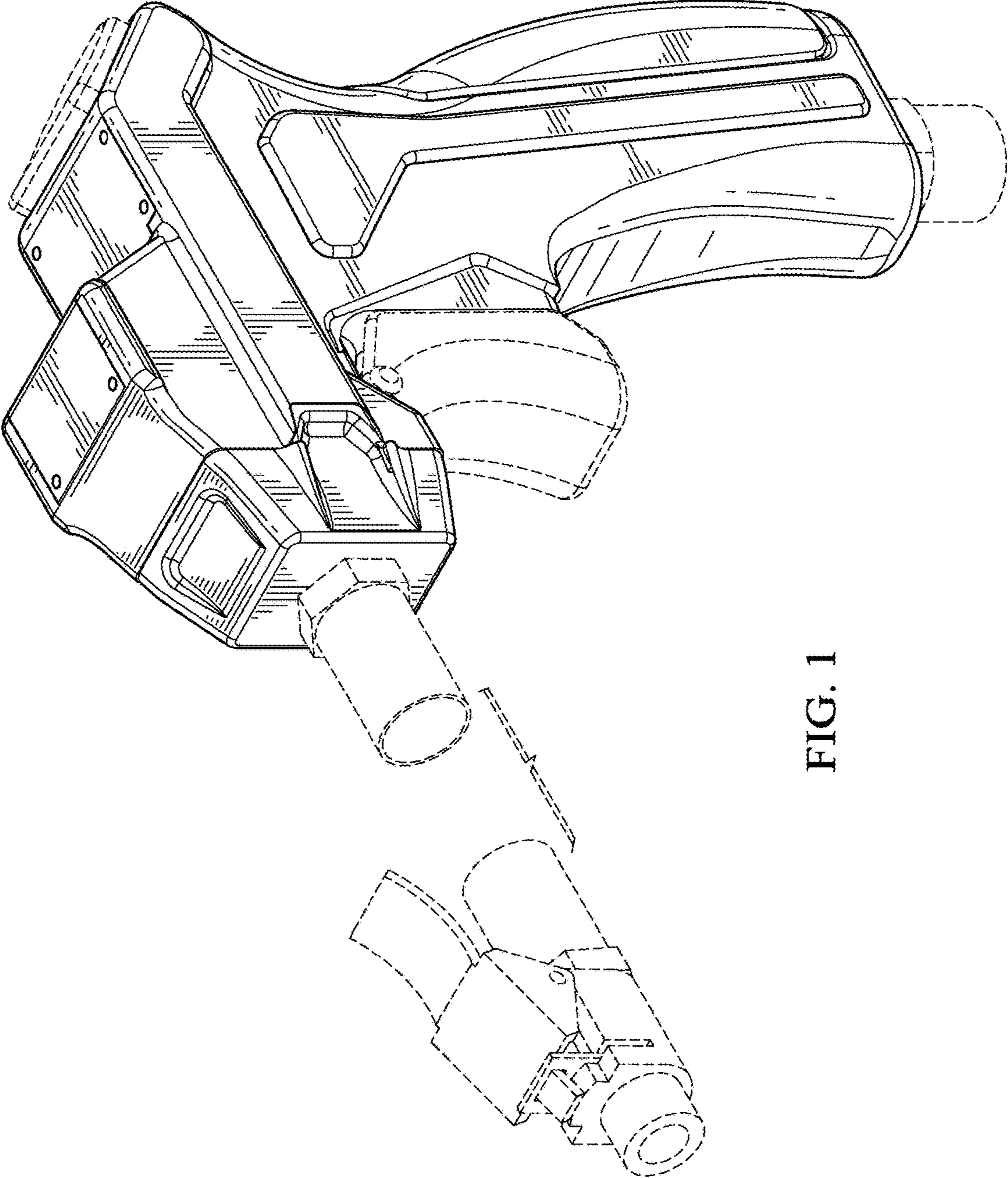


FIG. 1

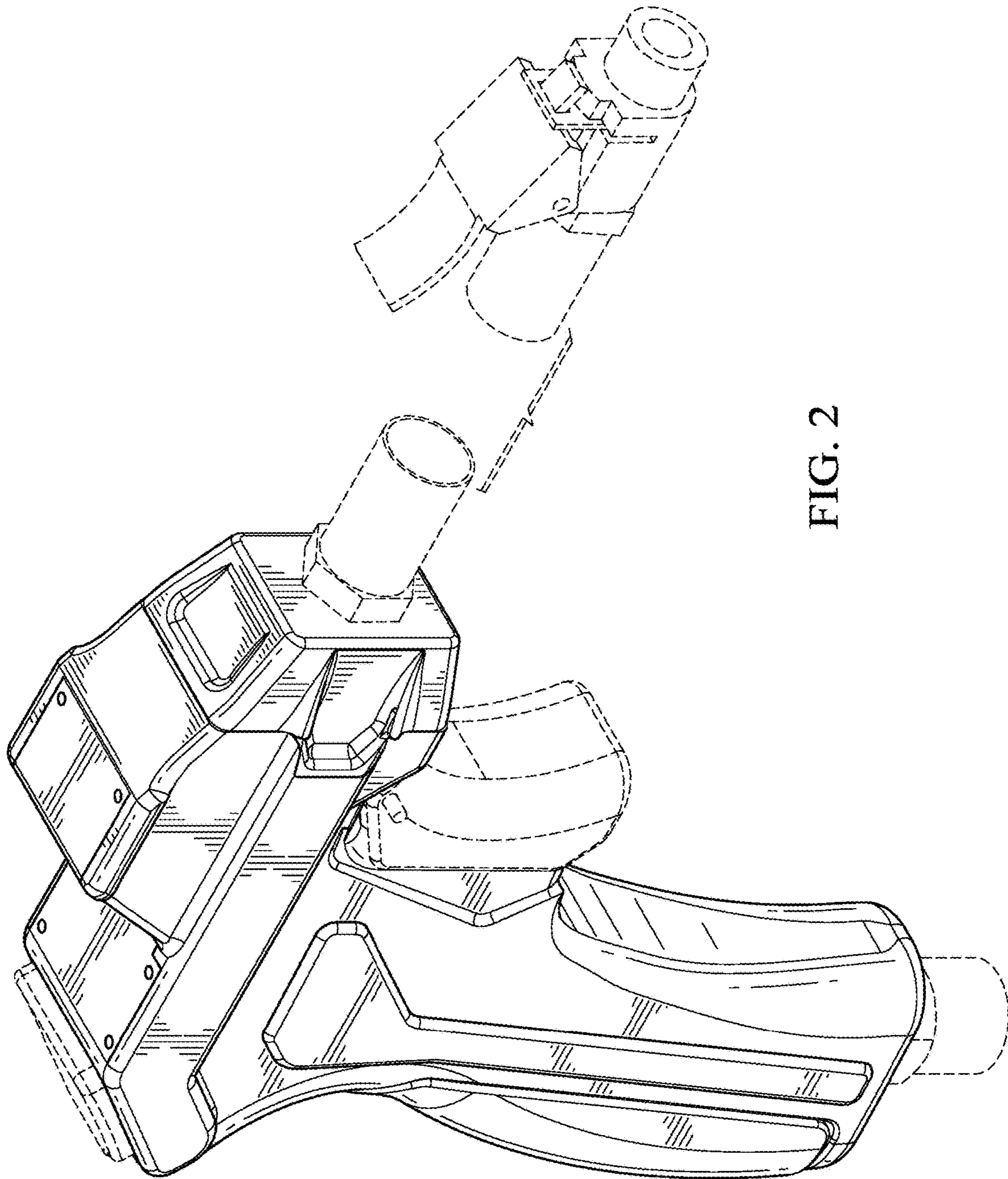


FIG. 2

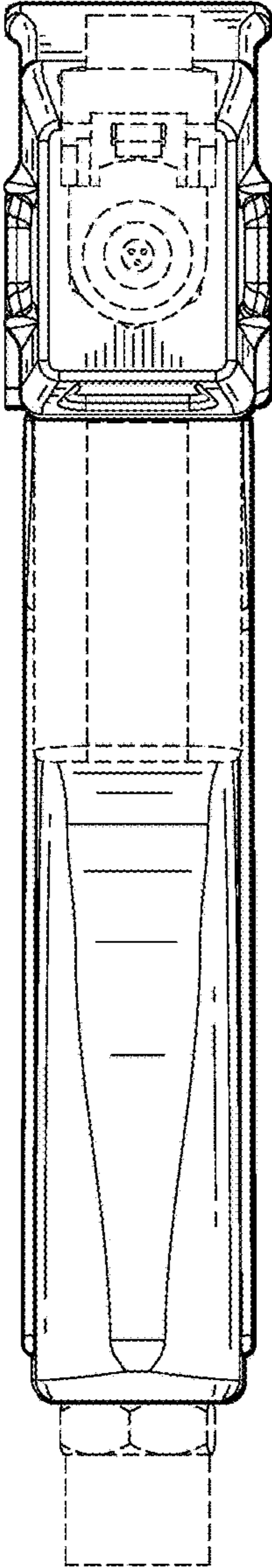


FIG. 3

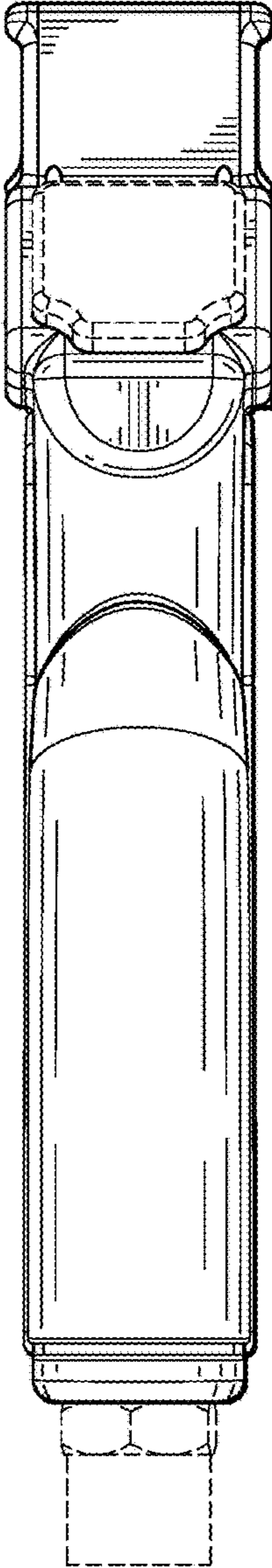


FIG. 4

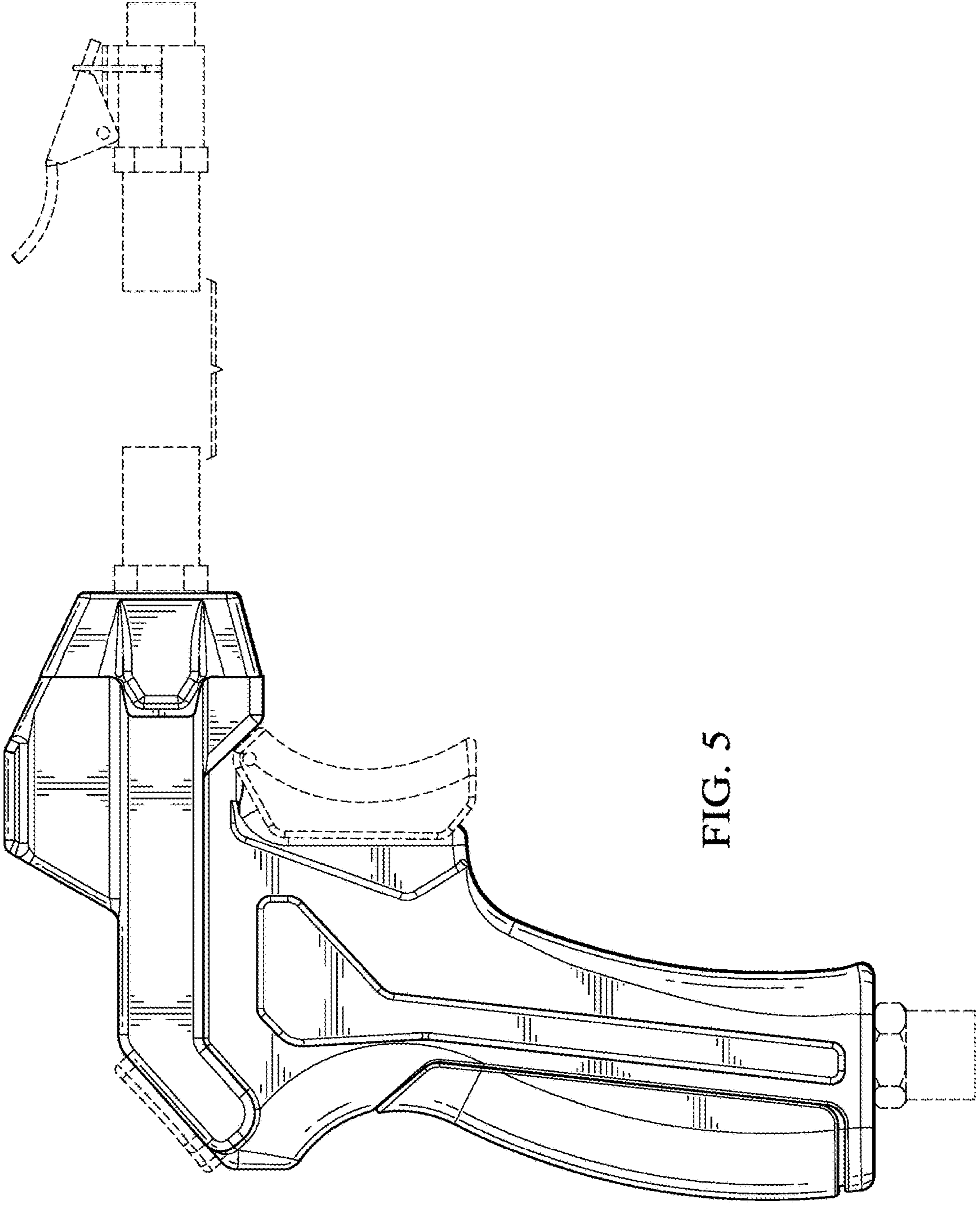


FIG. 5

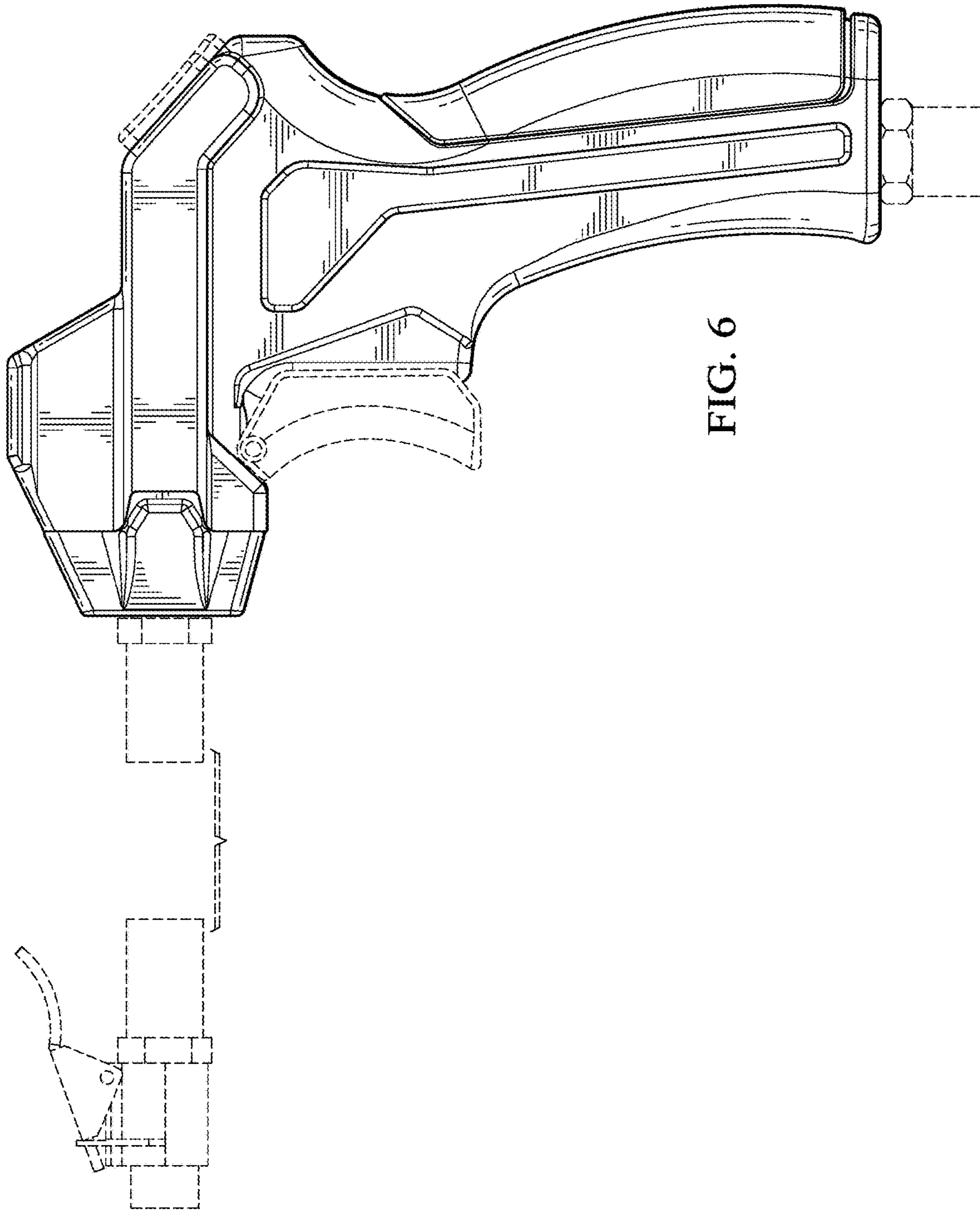


FIG. 6

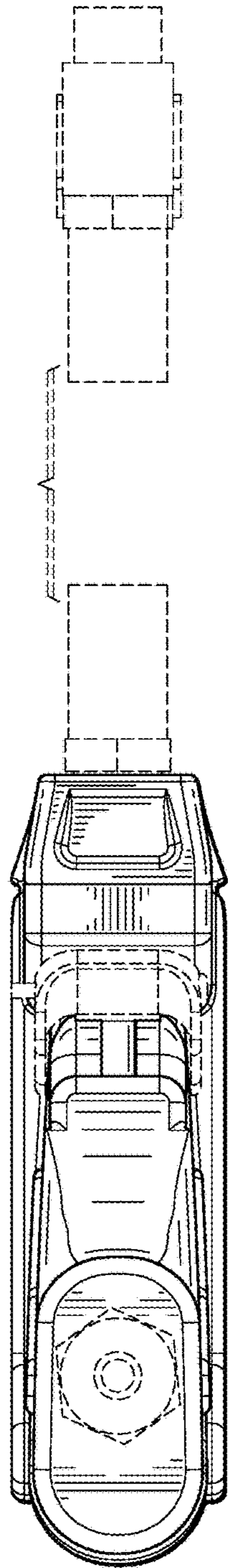


FIG. 7

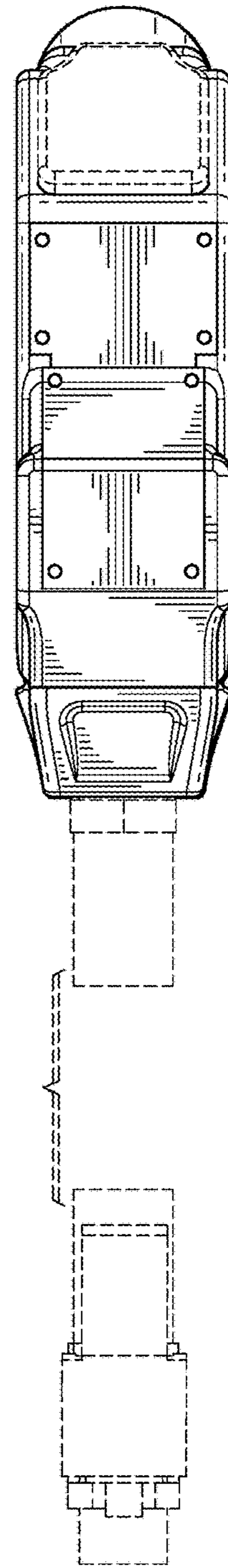


FIG. 8

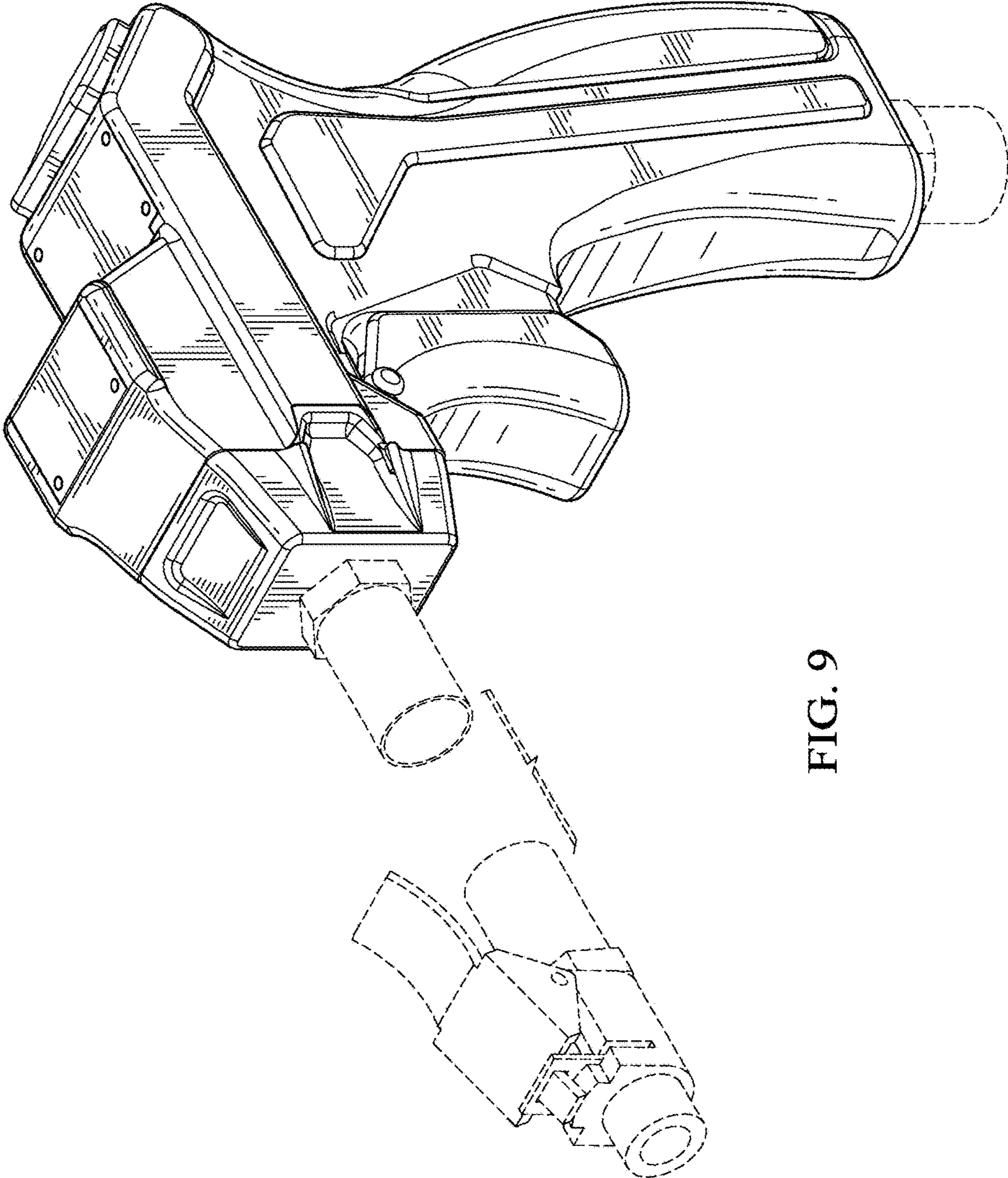


FIG. 9

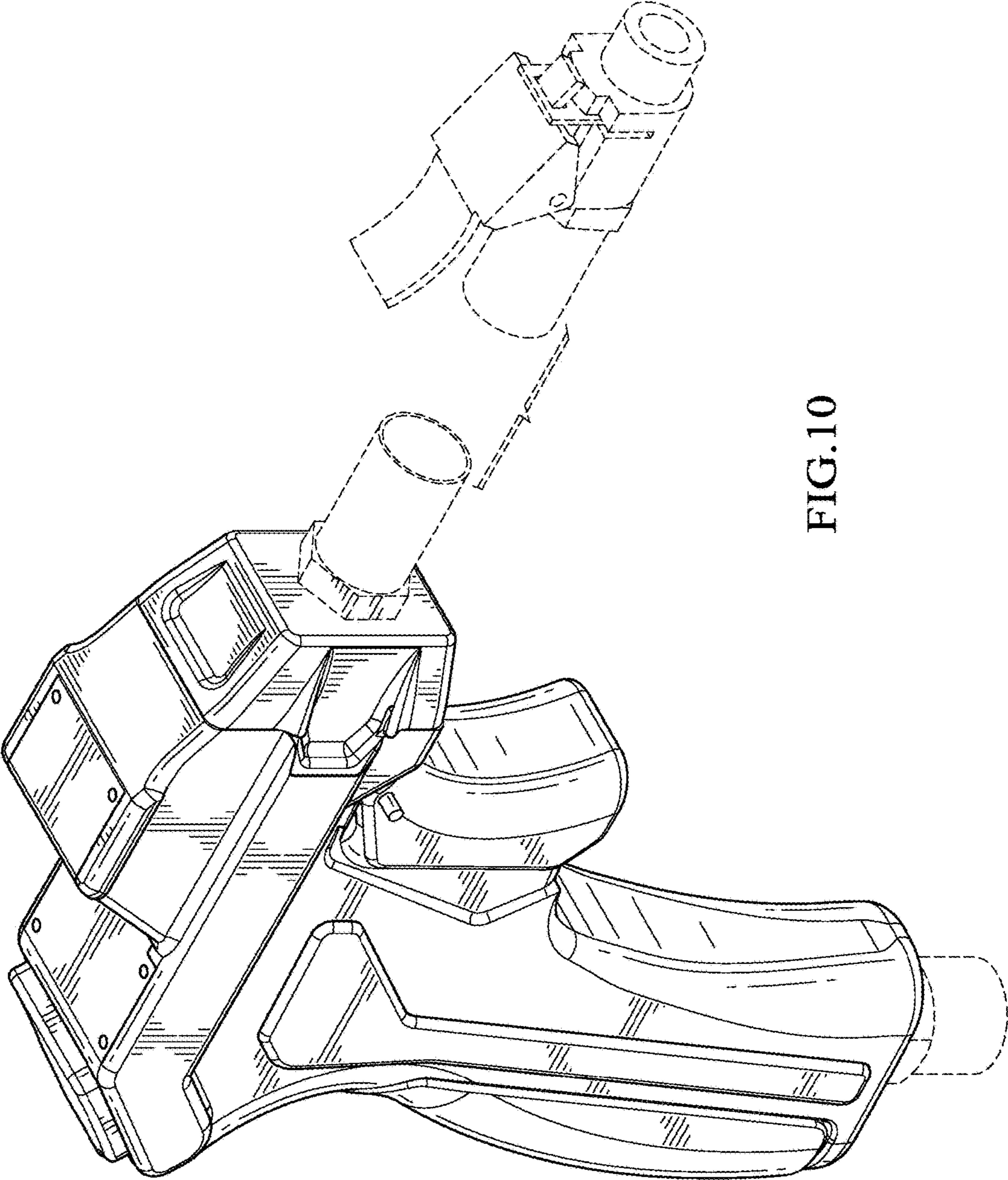


FIG.10

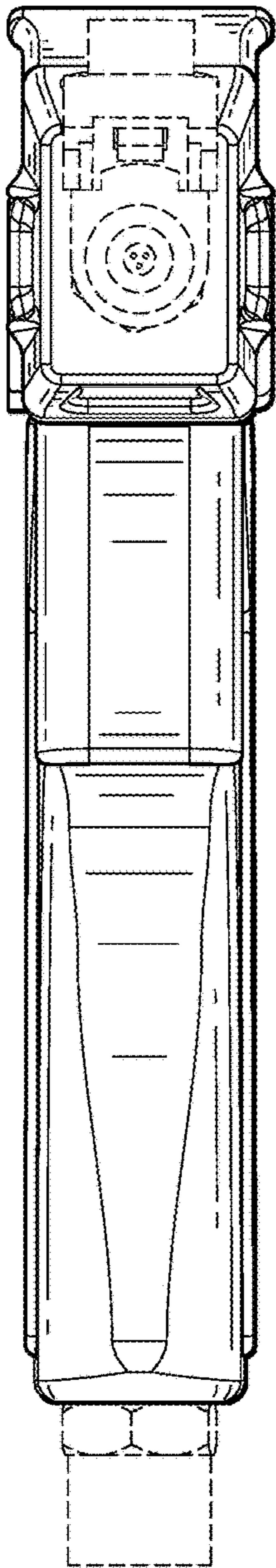


FIG. 11

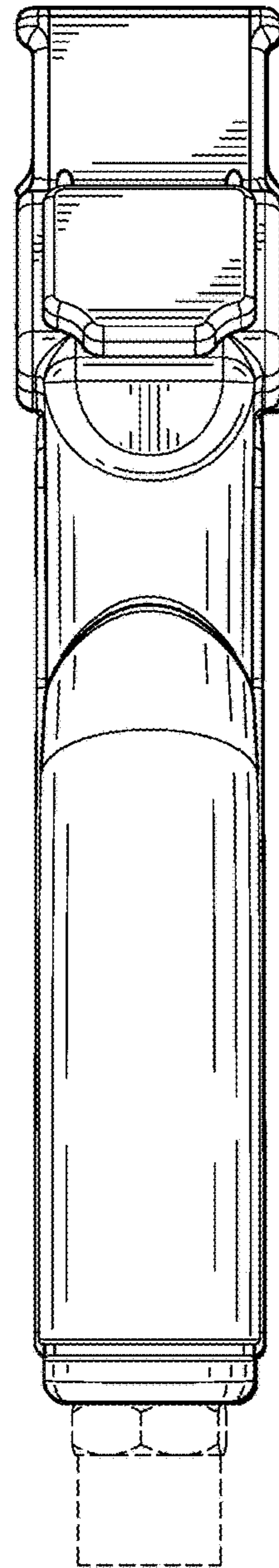


FIG. 12

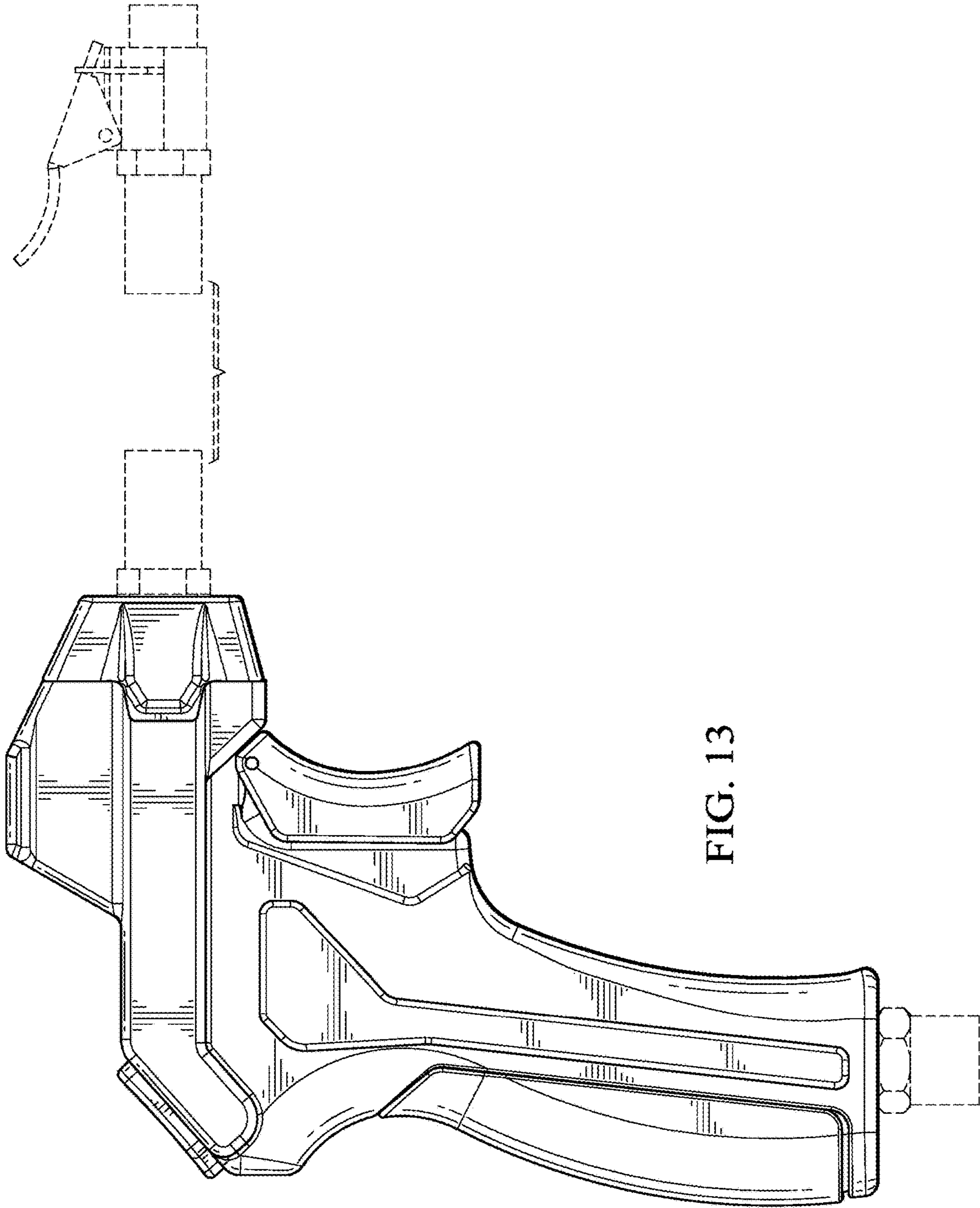


FIG. 13

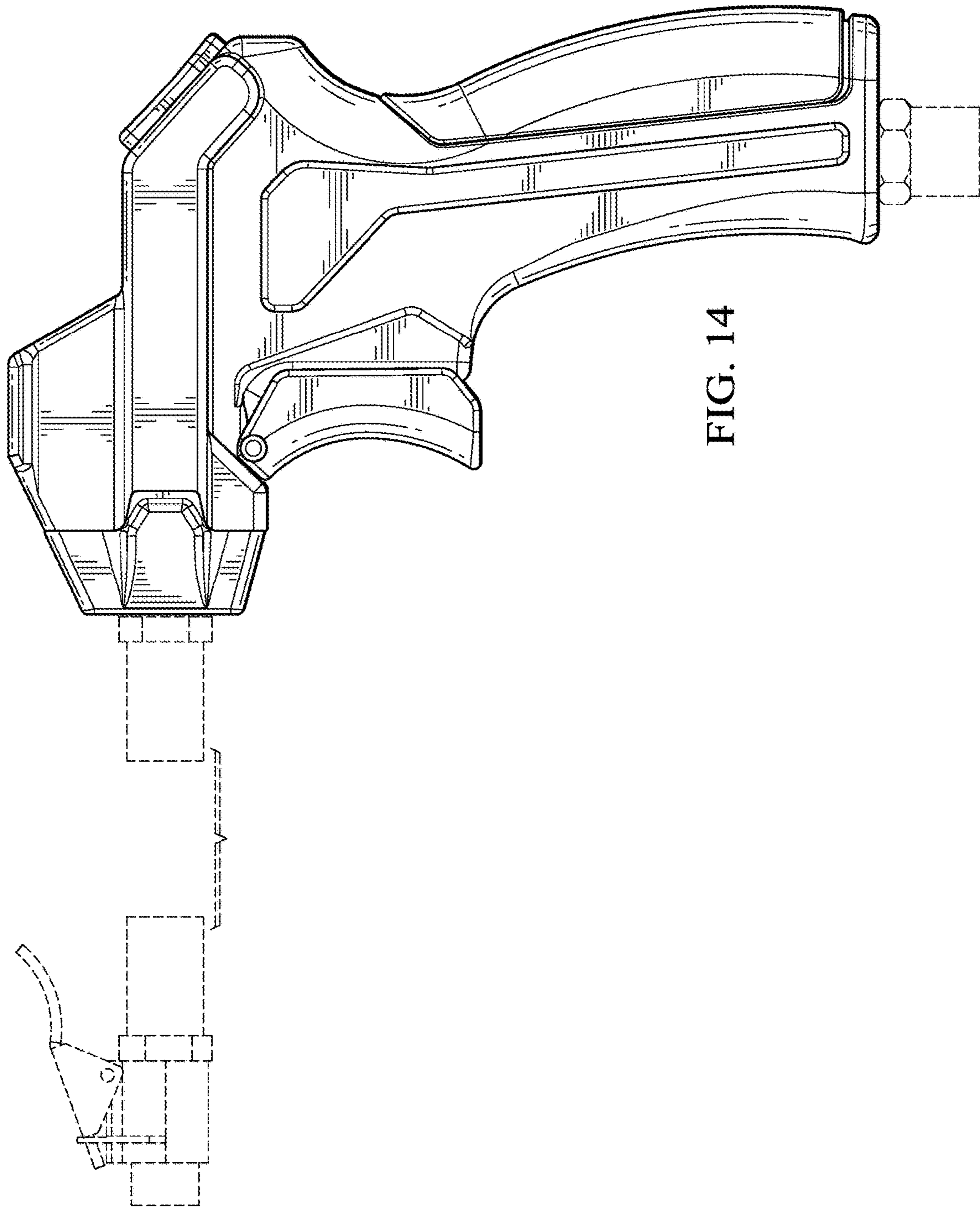


FIG. 14

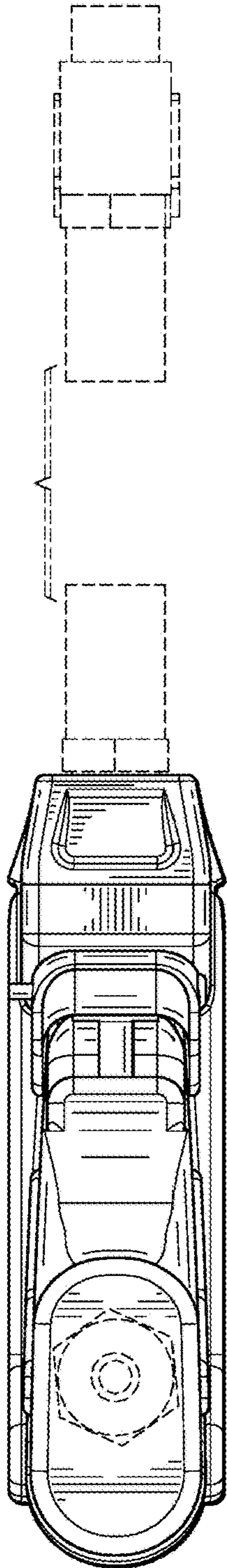


FIG. 15

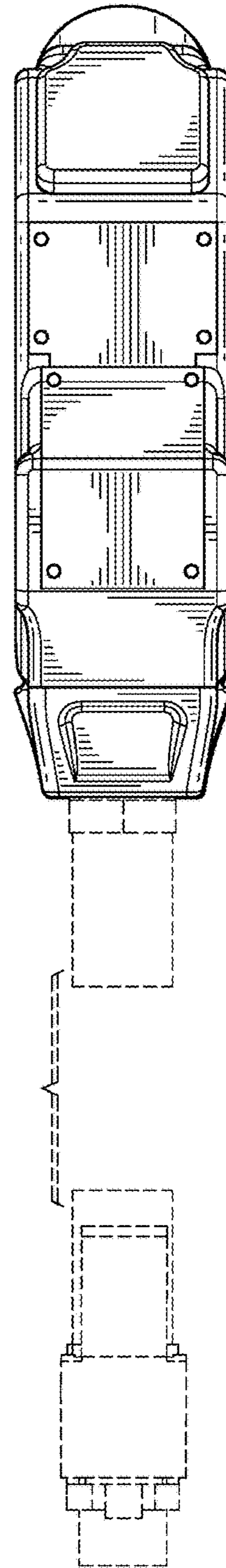


FIG. 16