



US00D863013S

(12) **United States Design Patent**  
**Kawase et al.**

(10) **Patent No.:** **US D863,013 S**

(45) **Date of Patent:** **\*\* Oct. 15, 2019**

(54) **ELECTRIC POLISHER**

(71) Applicant: **MAKITA CORPORATION**, Anjo-shi,  
Aichi (JP)

(72) Inventors: **Tomonori Kawase**, Anjo (JP); **Junya  
Ishikawa**, Anjo (JP)

(73) Assignee: **MAKITA CORPORATION**, Anjo-Shi  
(JP)

(\*\*) Term: **15 Years**

(21) Appl. No.: **29/667,069**

(22) Filed: **Oct. 18, 2018**

(30) **Foreign Application Priority Data**

Apr. 20, 2018 (JP) ..... 2018-008717

(51) **LOC (12) Cl.** ..... **08-05**

(52) **U.S. Cl.**  
USPC ..... **D8/61**

(58) **Field of Classification Search**  
USPC ..... D8/61, 62, 67, 69  
CPC ..... B24B 23/02; B24B 23/028; B24B 23/03;  
B24B 41/007; B25F 5/008; B25F 5/02;  
B24D 9/08; B24D 13/147  
See application file for complete search history.

(56) **References Cited**

**U.S. PATENT DOCUMENTS**

D255,417 S *	6/1980	Sakamoto	.....	D8/62
D301,830 S *	6/1989	Ogawa	.....	D8/62
D305,399 S *	1/1990	Fushiya	.....	D8/62
D324,632 S *	3/1992	Nose	.....	D8/61
D326,042 S *	5/1992	Kriaski	.....	D8/62
D328,841 S *	8/1992	Fushiya	.....	D8/62
D347,153 S *	5/1994	Uneyama	.....	D8/62
D402,870 S *	12/1998	Etter	.....	D8/62
D408,244 S *	4/1999	Price	.....	D8/62
D414,666 S *	10/1999	Cortes	.....	D8/62

D453,098 S *	1/2002	Pretzell	.....	D8/62
D453,288 S *	2/2002	Lui	.....	D8/62
D468,179 S *	1/2003	Hayakawa	.....	D8/62
D469,932 S *	2/2003	Liang-Ming	.....	D32/15
D475,908 S *	6/2003	Boyer	.....	B24B 23/04 D8/61
D479,452 S *	9/2003	Cho	.....	D8/62
D500,945 S *	1/2005	Wright	.....	D8/62
D518,696 S *	4/2006	Schoen	.....	D8/62
D520,688 S *	5/2006	Bakker	.....	D32/19
7,077,734 B2 *	7/2006	Tiede	.....	B24B 23/04 451/357
D527,966 S *	9/2006	Hayakawa	.....	D8/62
D528,389 S *	9/2006	Wu	.....	D8/62

(Continued)

**FOREIGN PATENT DOCUMENTS**

EM 002467605-0001 5/2014

*Primary Examiner* — Elizabeth A. Albert

(74) *Attorney, Agent, or Firm* — Global IP Counselors,  
LLP

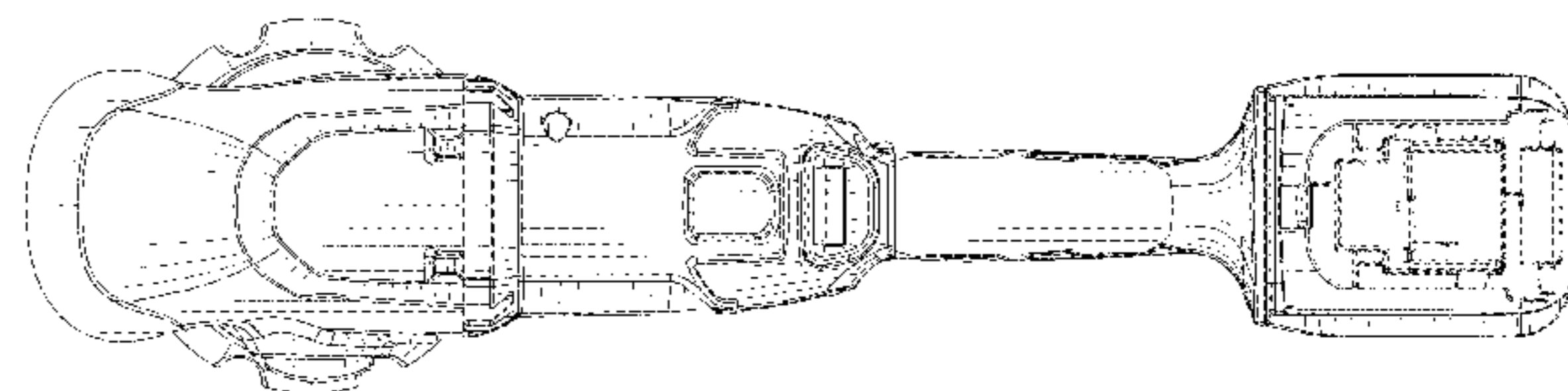
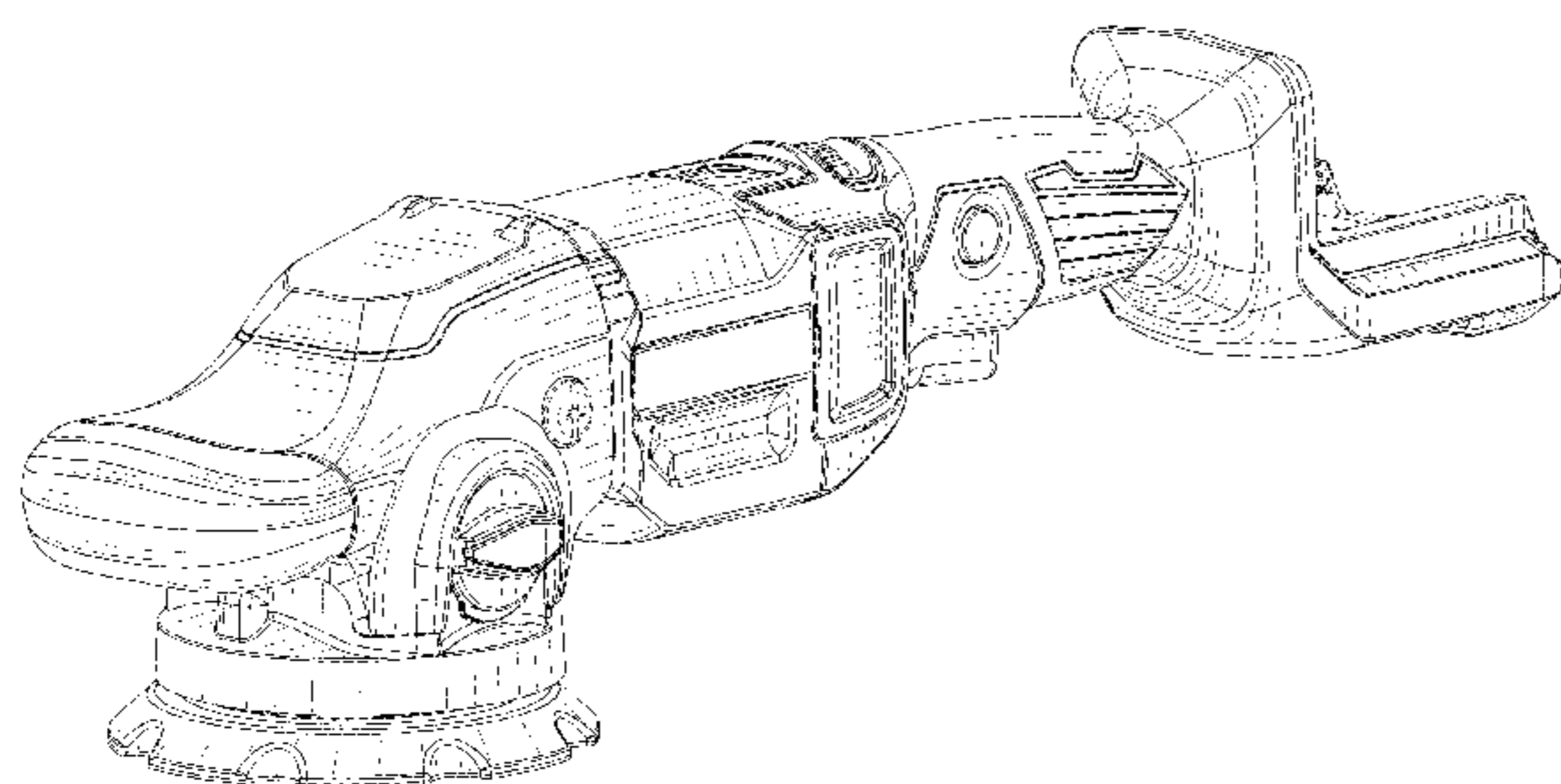
(57) **CLAIM**

The ornamental design for a electric polisher, as shown and described.

**DESCRIPTION**

FIG. 1 is a front perspective view of an electric polisher showing our new design;  
FIG. 2 is a rear perspective view thereof;  
FIG. 3 is a front elevational view thereof;  
FIG. 4 is a rear elevational view thereof;  
FIG. 5 is a top plan view thereof;  
FIG. 6 is a bottom plan view thereof;  
FIG. 7 is a right side elevational view thereof;  
FIG. 8 is a left side elevational view thereof; and,  
FIG. 9 is another front perspective view thereof.  
The broken lines are included for the purpose of showing features that form no part of the claimed design.

**1 Claim, 8 Drawing Sheets**



(56)

## References Cited

## U.S. PATENT DOCUMENTS

D528,887 S \* 9/2006 Wright ..... D8/62  
D540,638 S \* 4/2007 Concari ..... D8/62  
D544,324 S \* 6/2007 Waldron ..... D8/62  
D548,034 S \* 8/2007 Hayakawa ..... D8/62  
D558,016 S \* 12/2007 Aglassinger ..... D8/62  
D564,321 S \* 3/2008 Huguet ..... D8/62  
D576,461 S \* 9/2008 Bast ..... D8/62  
D580,723 S \* 11/2008 Concari ..... D8/62  
D585,713 S \* 2/2009 Boulton ..... D8/62  
D587,081 S \* 2/2009 Steinfels ..... D8/62  
D592,026 S \* 5/2009 Okuda ..... D8/62  
D609,542 S \* 2/2010 Misaki ..... D8/62  
D634,170 S \* 3/2011 Hu ..... D8/62  
D707,515 S \* 6/2014 Trochum ..... D8/62  
8,760,013 B2 \* 6/2014 Esenwein ..... B25F 5/02  
310/50  
D715,616 S \* 10/2014 Aglassinger ..... D8/62  
9,469,007 B2 \* 10/2016 Schuele ..... B23Q 11/127  
D830,802 S \* 10/2018 Okuda ..... D8/62  
10,277,114 B2 \* 4/2019 Pant ..... B24B 23/02  
10,286,516 B2 \* 5/2019 Ishikawa ..... B24B 23/02  
10,326,385 B2 \* 6/2019 Ichikawa ..... B25F 5/00  
2018/0205293 A1 \* 7/2018 Kawakami ..... H02K 9/06  
2018/0222011 A1 \* 8/2018 Eisenblaetter ..... B25F 5/008  
2019/0001459 A1 \* 1/2019 Valentini ..... B24B 23/022  
2019/0070705 A1 \* 3/2019 Ishikawa ..... B24B 23/03  
2019/0128392 A1 \* 5/2019 McLain ..... B24B 23/03  
2019/0207539 A1 \* 7/2019 Westerby ..... H02P 3/14

\* cited by examiner

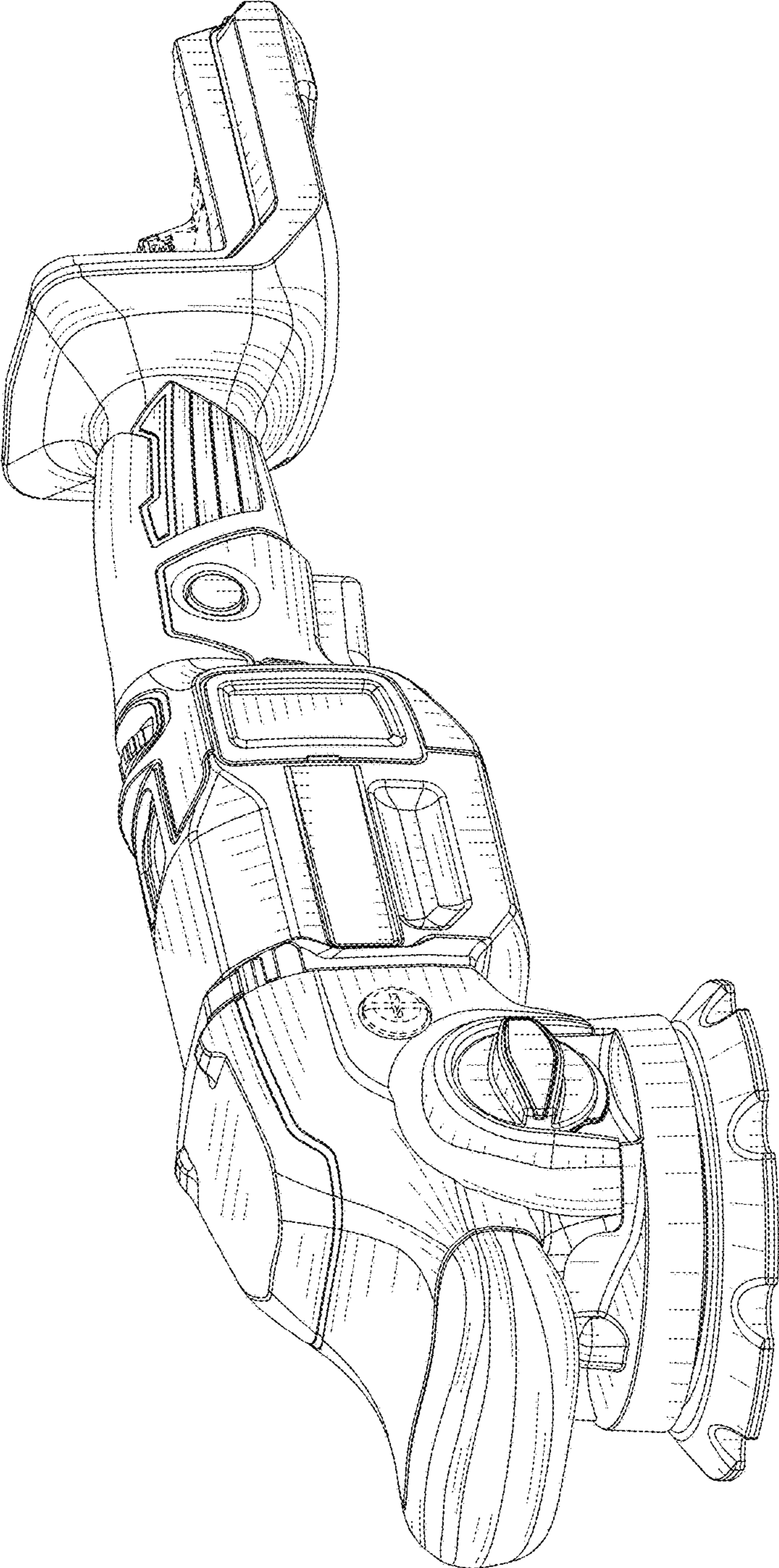


FIG. 1

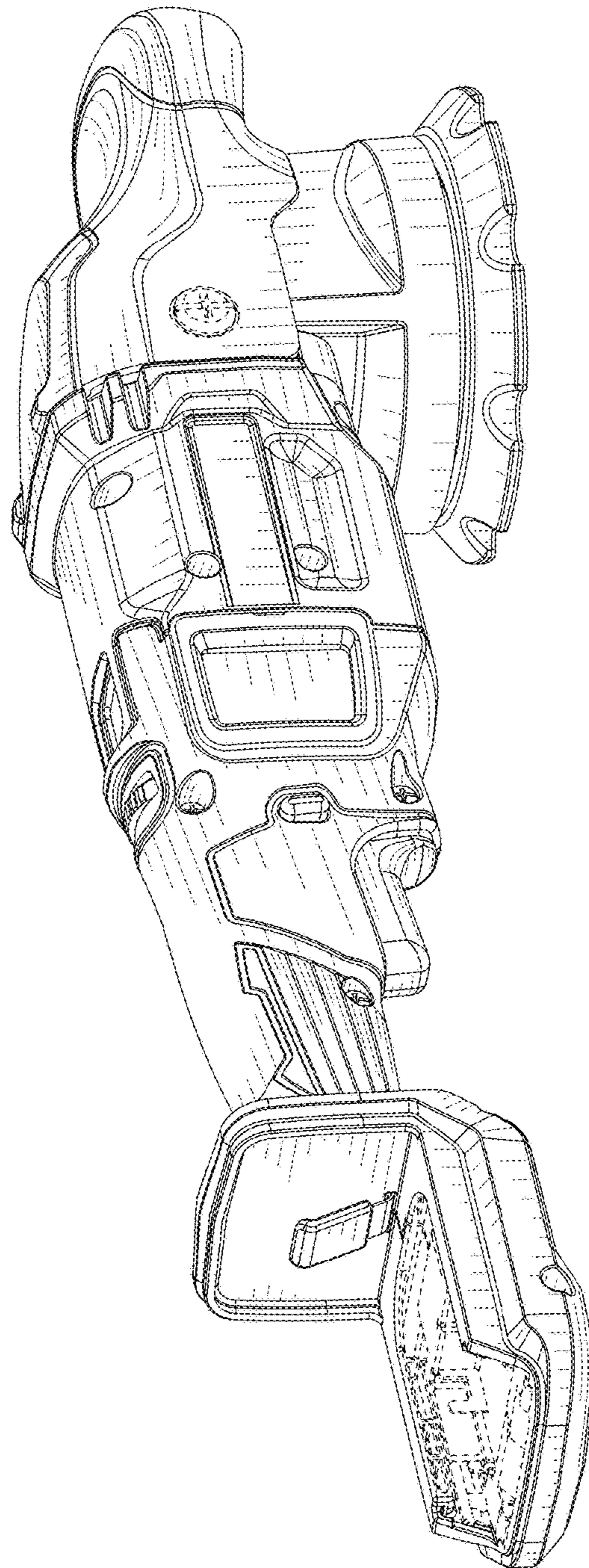


FIG. 2

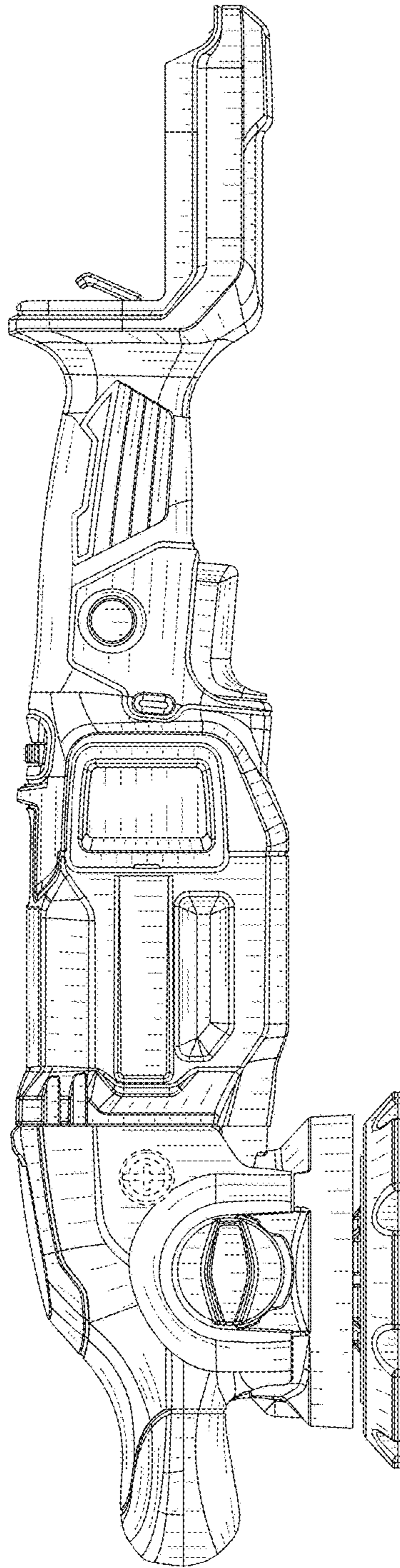


FIG. 3

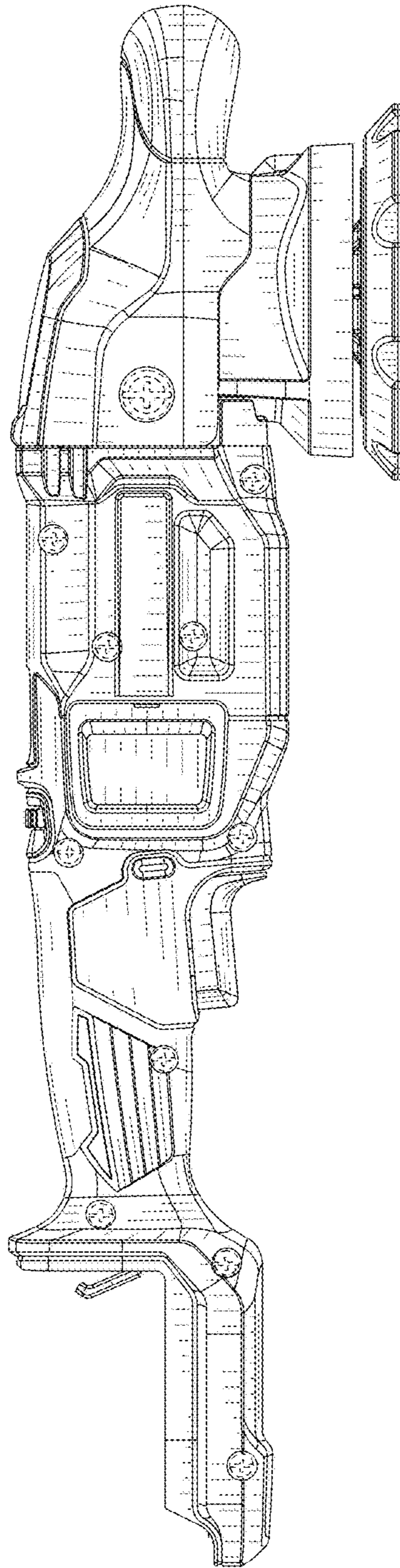


FIG. 4

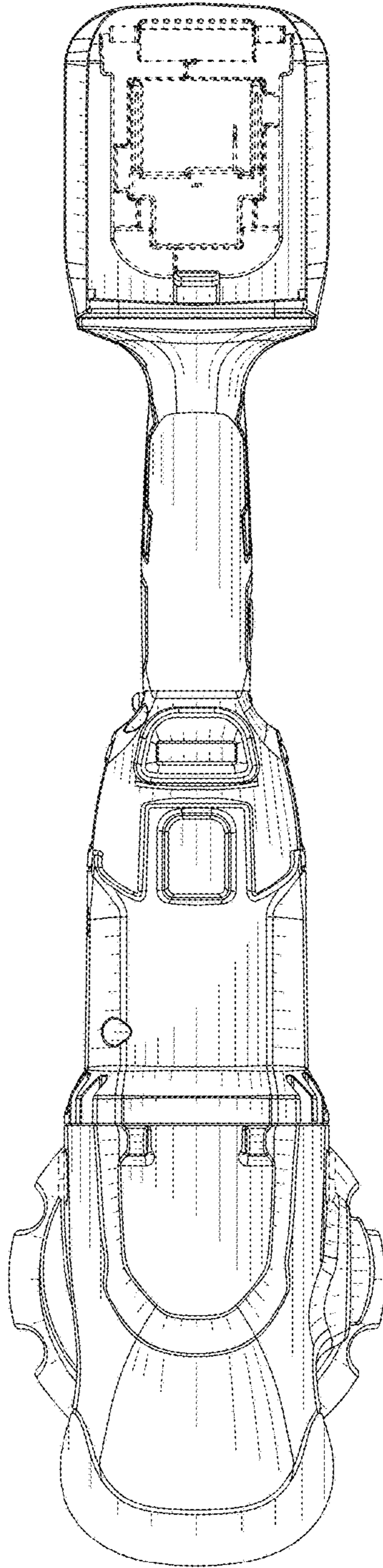


FIG. 5

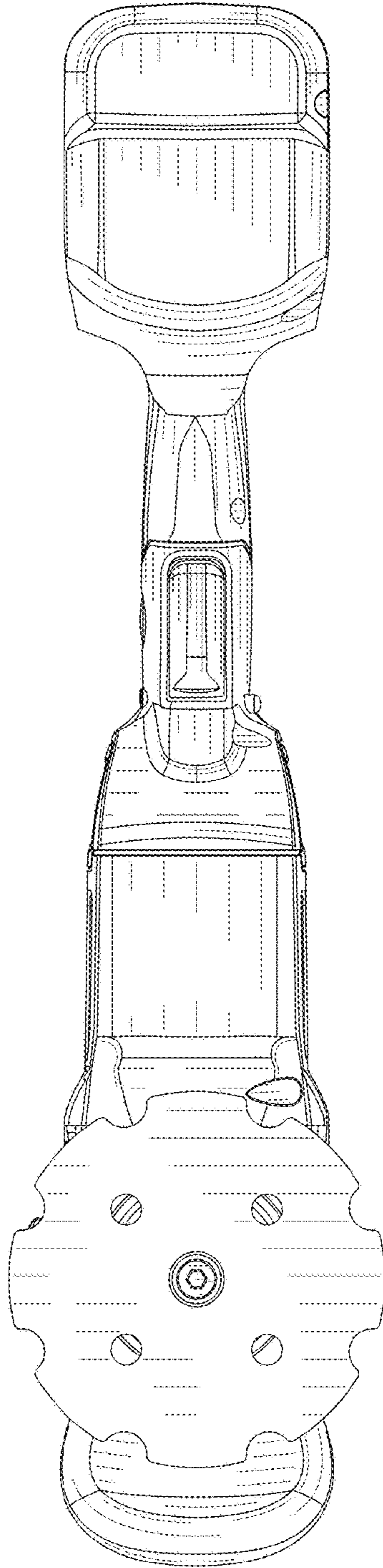


FIG. 6



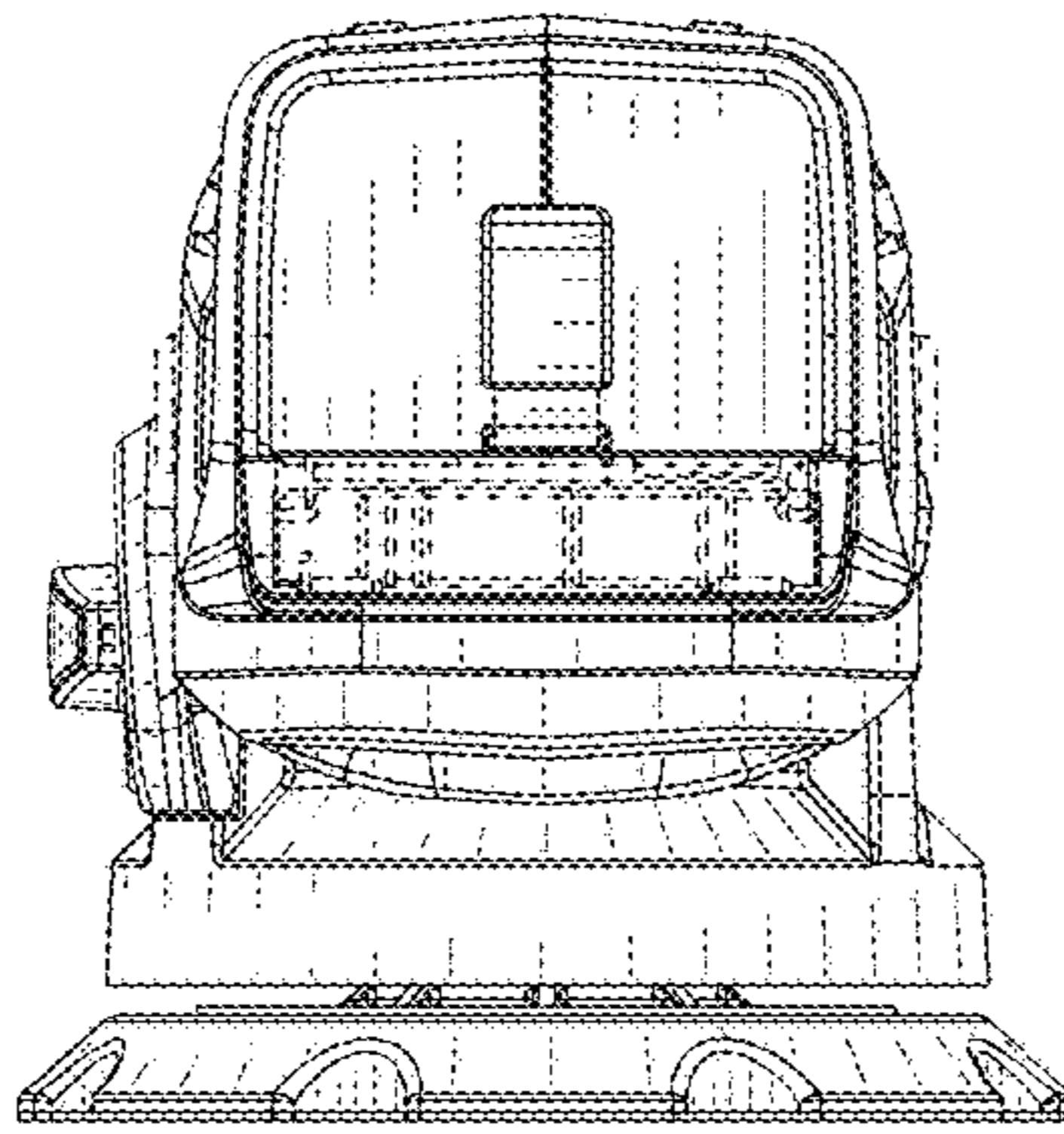


FIG. 7

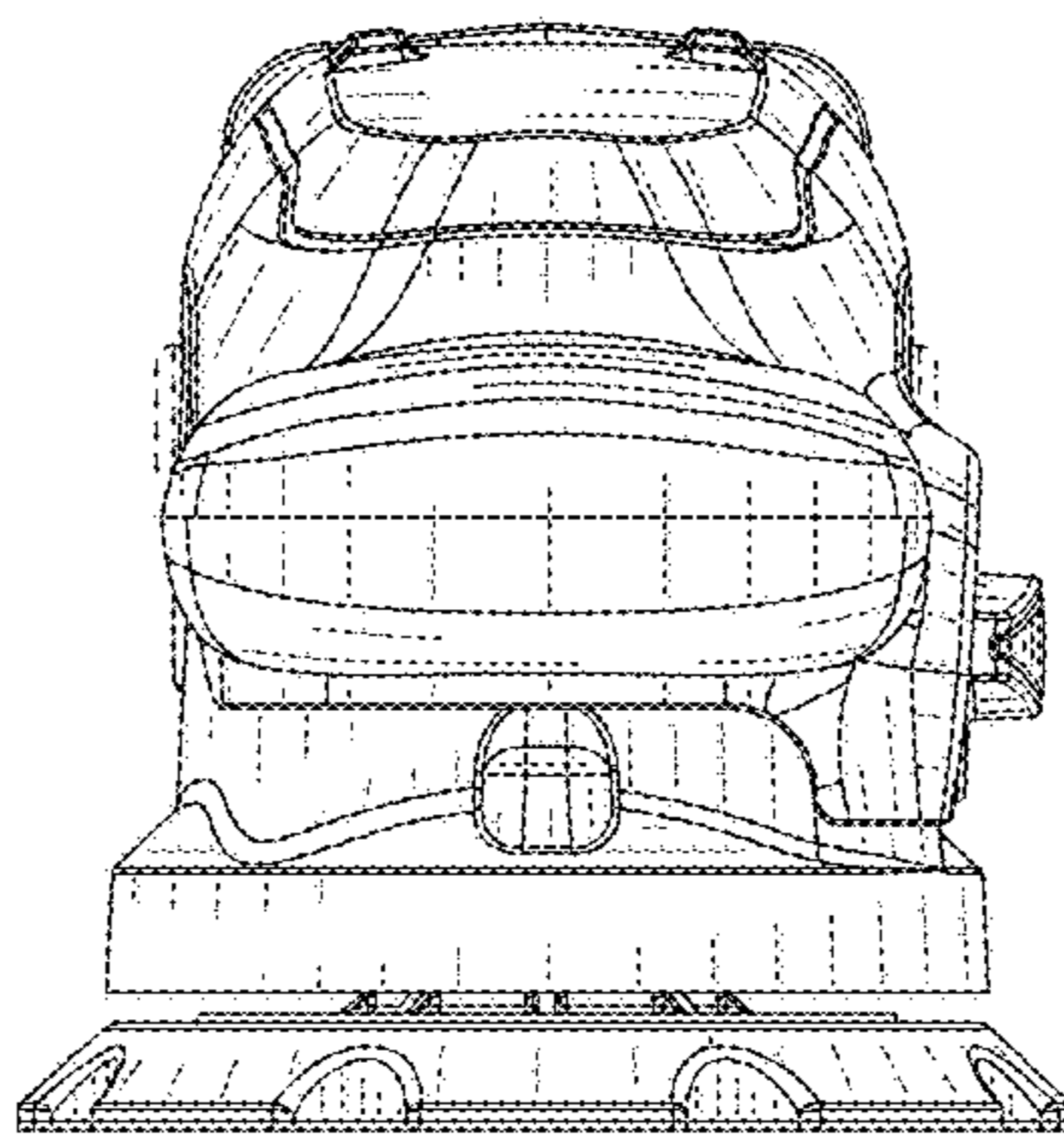


FIG. 8

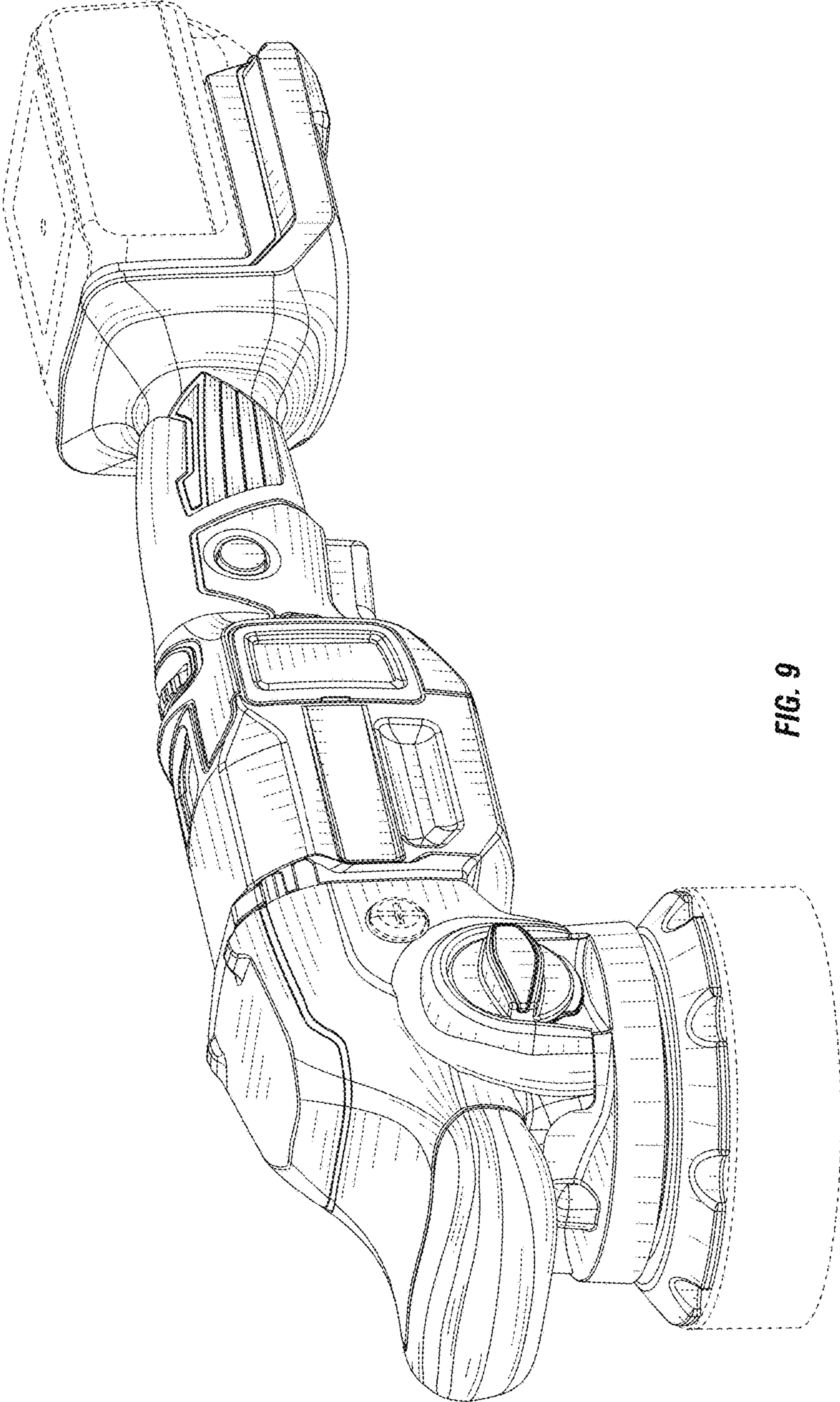


FIG. 9