



US00D863012S

(12) **United States Design Patent**  
**Spay et al.**

(10) **Patent No.:** **US D863,012 S**

(45) **Date of Patent:** **\*\* Oct. 15, 2019**

(54) **ULTRASONIC SCANNER FOR INSPECTING PIPES AND PIPE ELBOWS**

(71) Applicants: **Benjamin Spay**, Quebec (CA);  
**Veronique Simard**, Quebec (CA);  
**Martin Dupuis**, Quebec (CA); **Sylvain Sauvageau**, Levis (CA)

(72) Inventors: **Benjamin Spay**, Quebec (CA);  
**Veronique Simard**, Quebec (CA);  
**Martin Dupuis**, Quebec (CA); **Sylvain Sauvageau**, Levis (CA)

(73) Assignee: **OLYMPUS SCIENTIFIC SOLUTIONS AMERICAS INC.**,  
Waltham, MA (US)

(\*\*) Term: **15 Years**

(21) Appl. No.: **29/623,878**

(22) Filed: **Oct. 27, 2017**

(51) **LOC (12) Cl.** ..... **15-99**

(52) **U.S. Cl.**  
USPC ..... **D8/61**

(58) **Field of Classification Search**  
USPC ..... D8/41, 61, 394; D15/199; D24/187  
CPC .. G01N 29/041; G01N 29/043; G01N 29/265;  
G01N 29/2493; G01N 2291/044; G01N  
2291/2626; G01N 2291/2634  
See application file for complete search history.

(56) **References Cited**

**U.S. PATENT DOCUMENTS**

D380,144 S \* 6/1997 Lew ..... D8/380  
D381,750 S \* 7/1997 Sasady ..... D24/187

D462,446 S \* 9/2002 Felix ..... D24/187  
D467,002 S \* 12/2002 Felix ..... D24/187  
D469,539 S \* 1/2003 Felix ..... D24/187  
D630,756 S \* 1/2011 Kitayama ..... D24/187  
D630,757 S \* 1/2011 Kitayama ..... D24/187  
D654,178 S \* 2/2012 Antonio ..... D24/187  
D733,319 S \* 6/2015 Somers ..... D24/231  
D774,034 S \* 12/2016 Kheradpir ..... D14/426  
D815,293 S \* 4/2018 Zhang ..... D24/187  
2018/0140276 A1 \* 5/2018 Cai ..... A61B 8/4455

\* cited by examiner

*Primary Examiner* — Patricia A Palasik

(74) *Attorney, Agent, or Firm* — C. Tricia Liu; Robert Kaim

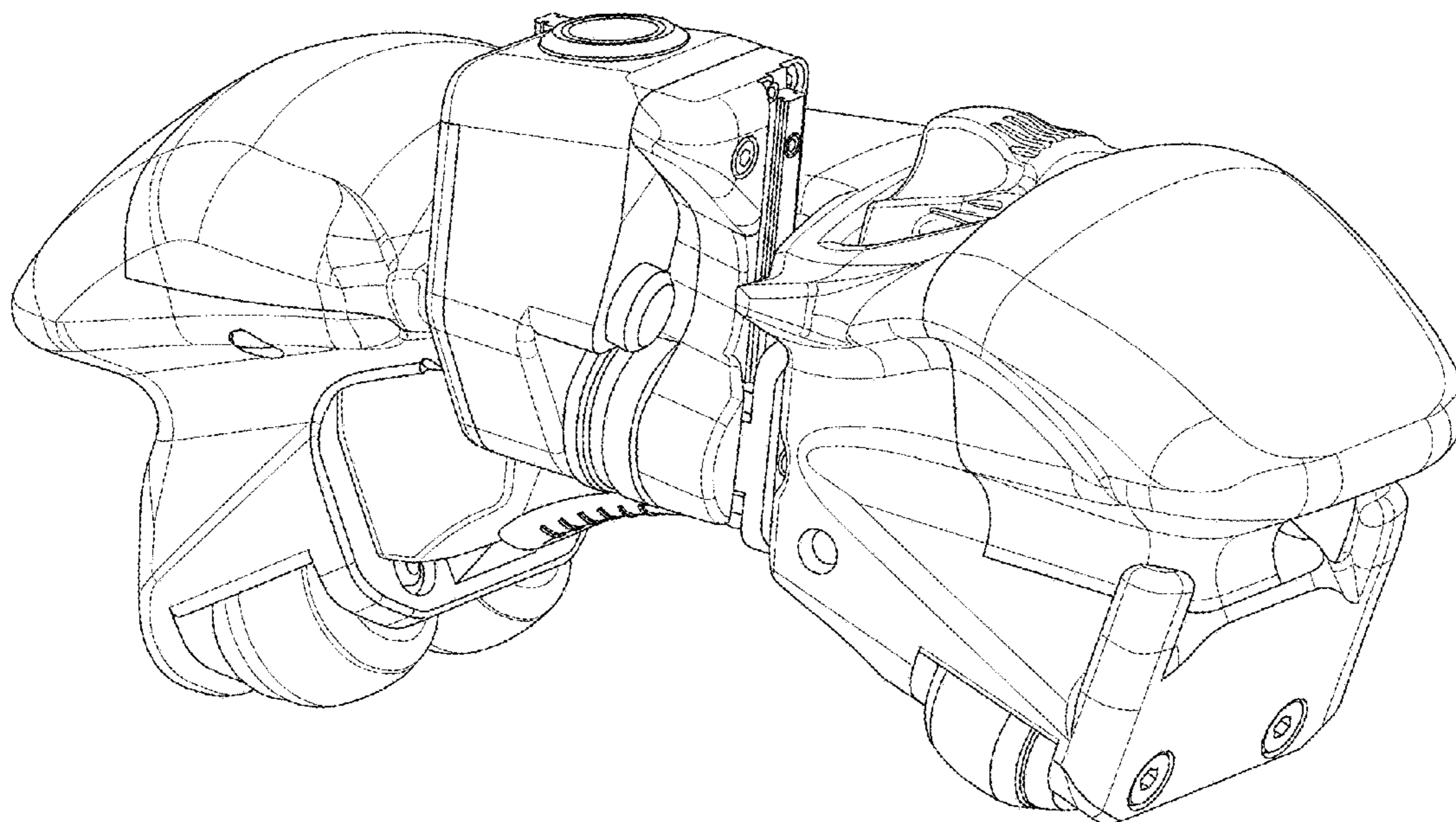
(57) **CLAIM**

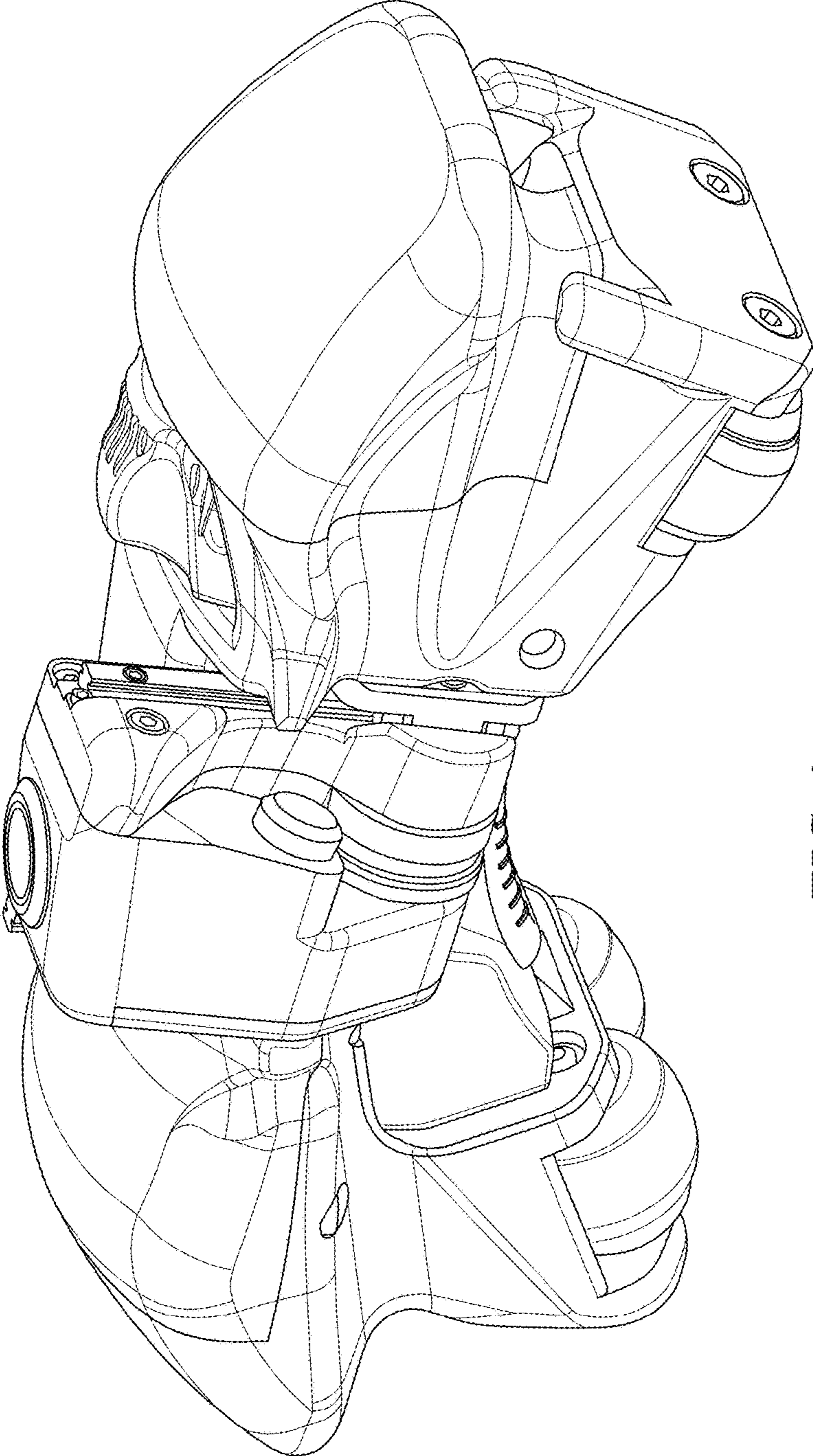
The ornamental design for an ultrasonic scanner for inspecting pipes and pipe elbows, as shown and described.

**DESCRIPTION**

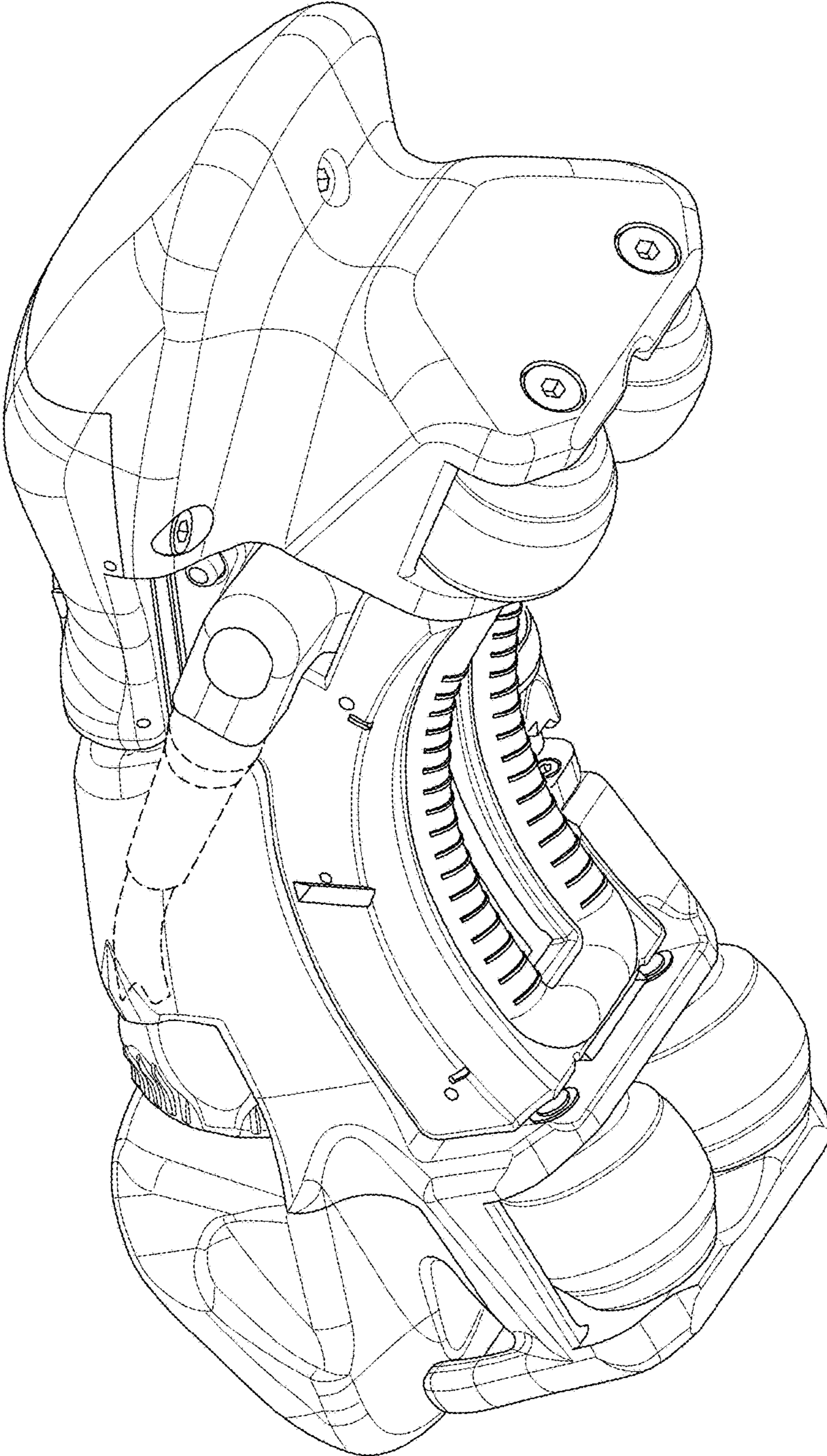
FIG. 1 is a first isometric view of an ultrasonic scanner for inspecting pipes and pipe elbows.  
FIG. 2 is a second isometric view thereof.  
FIG. 3 is a front view thereof.  
FIG. 4 is a back view thereof.  
FIG. 5 is a top view thereof.  
FIG. 6 is a bottom view thereof.  
FIG. 7 is a right side view thereof; and,  
FIG. 8 is a left side view thereof.  
The broken lines illustrate portions of the ultrasonic scanner for inspecting pipes and pipe elbows that form no part of the claimed design.

**1 Claim, 8 Drawing Sheets**

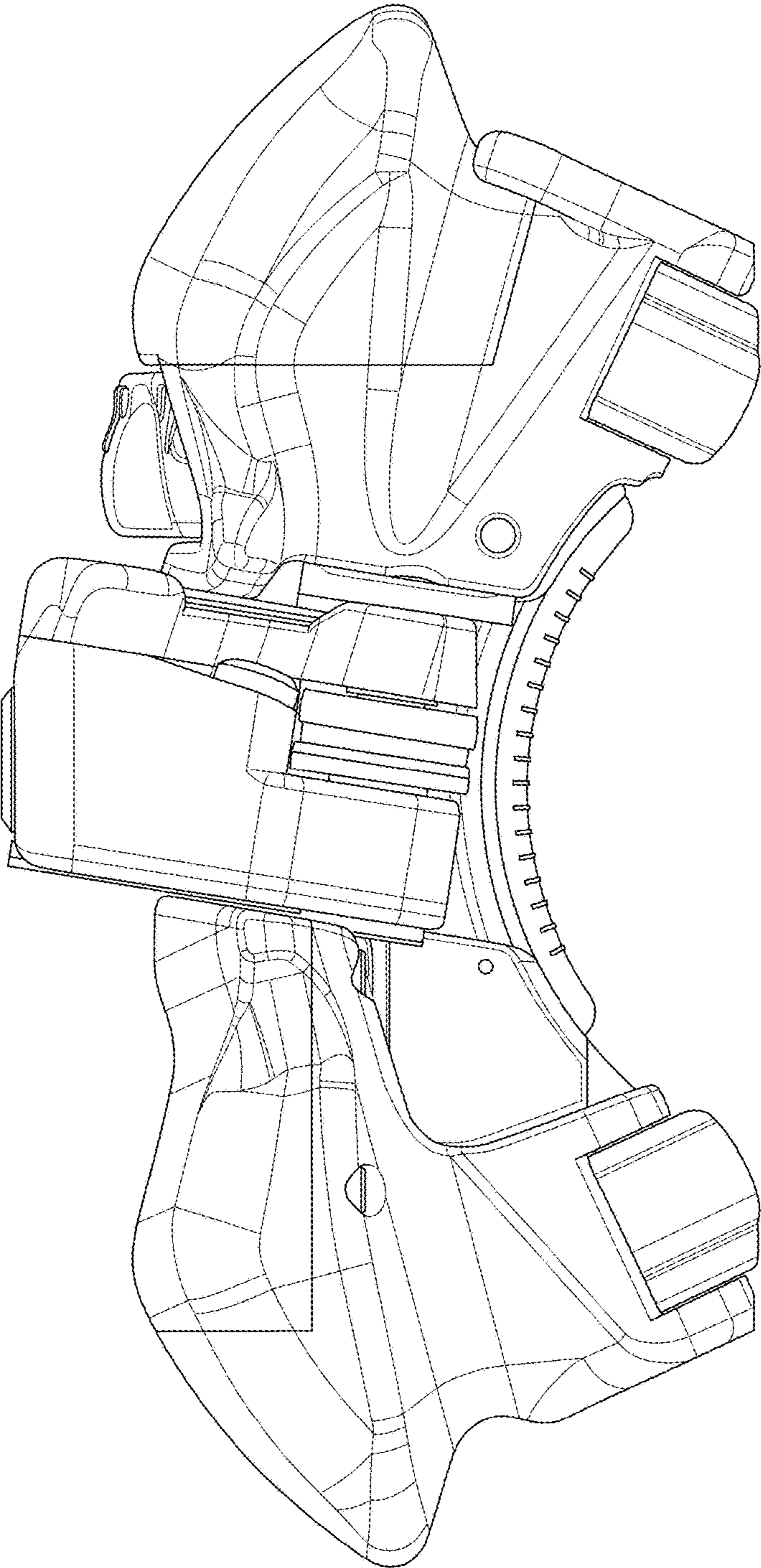




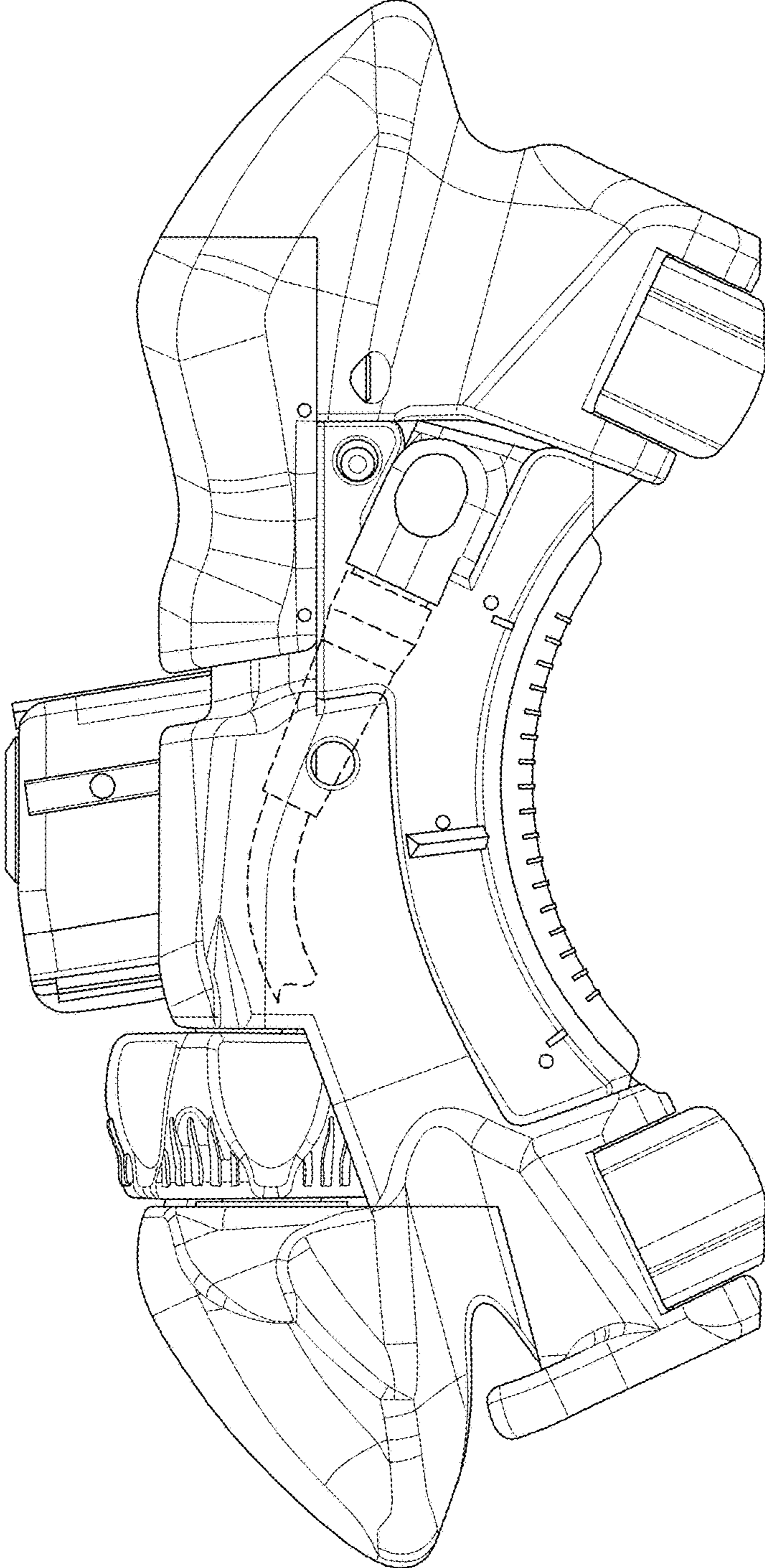
**FIG. 1**



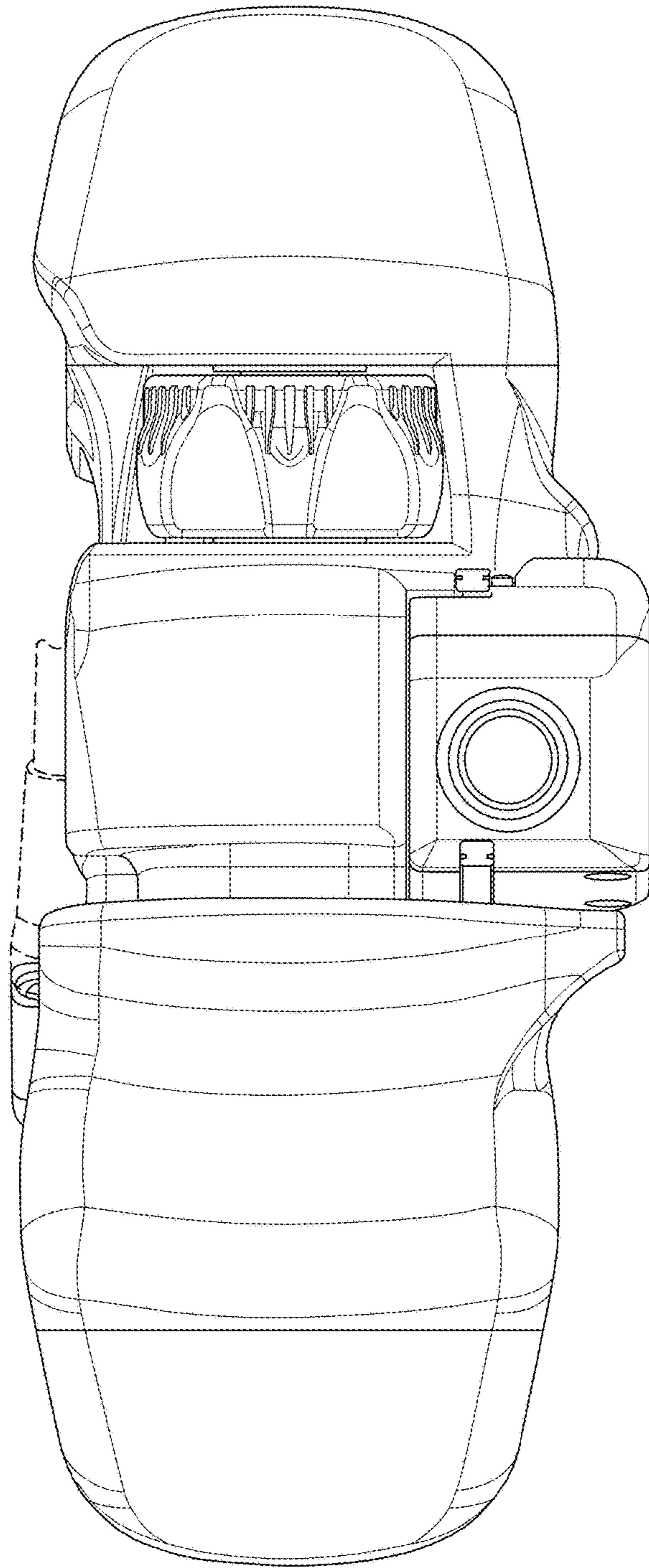
**FIG. 2**



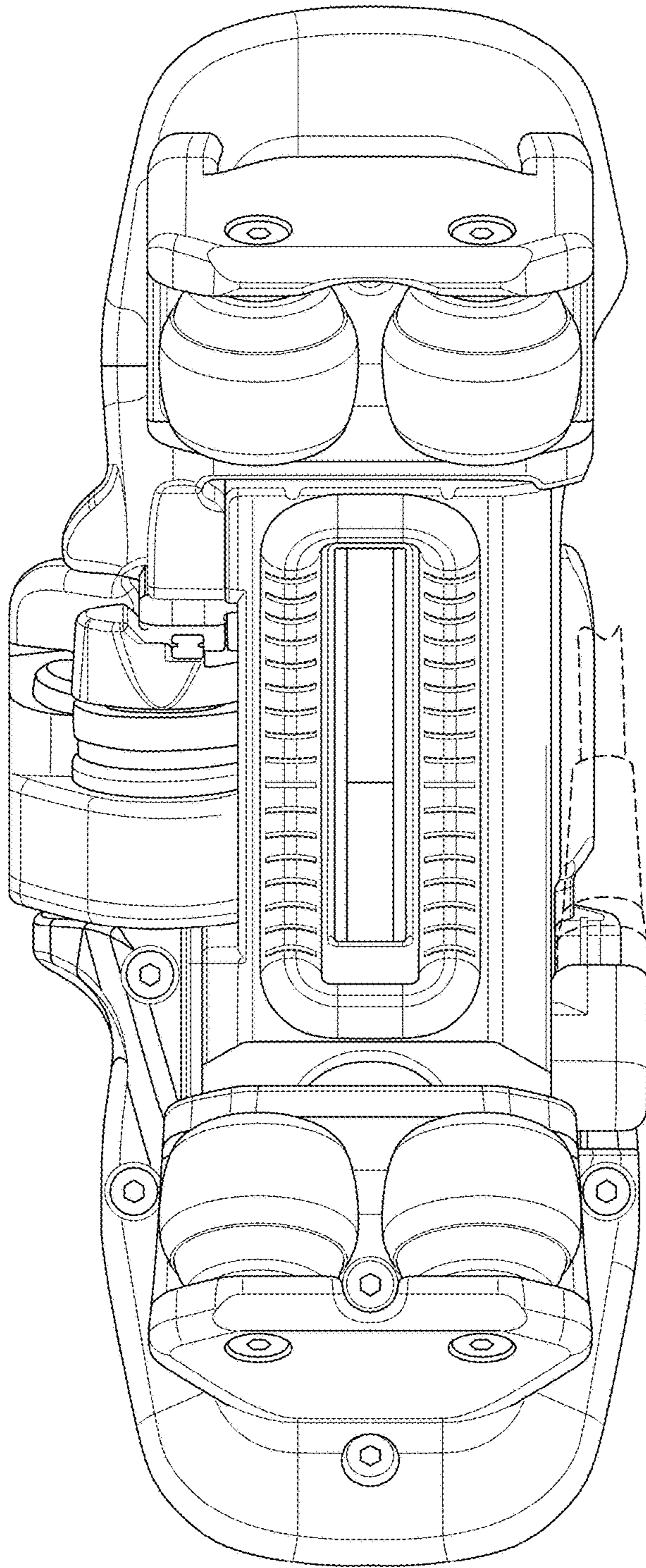
**FIG. 3**



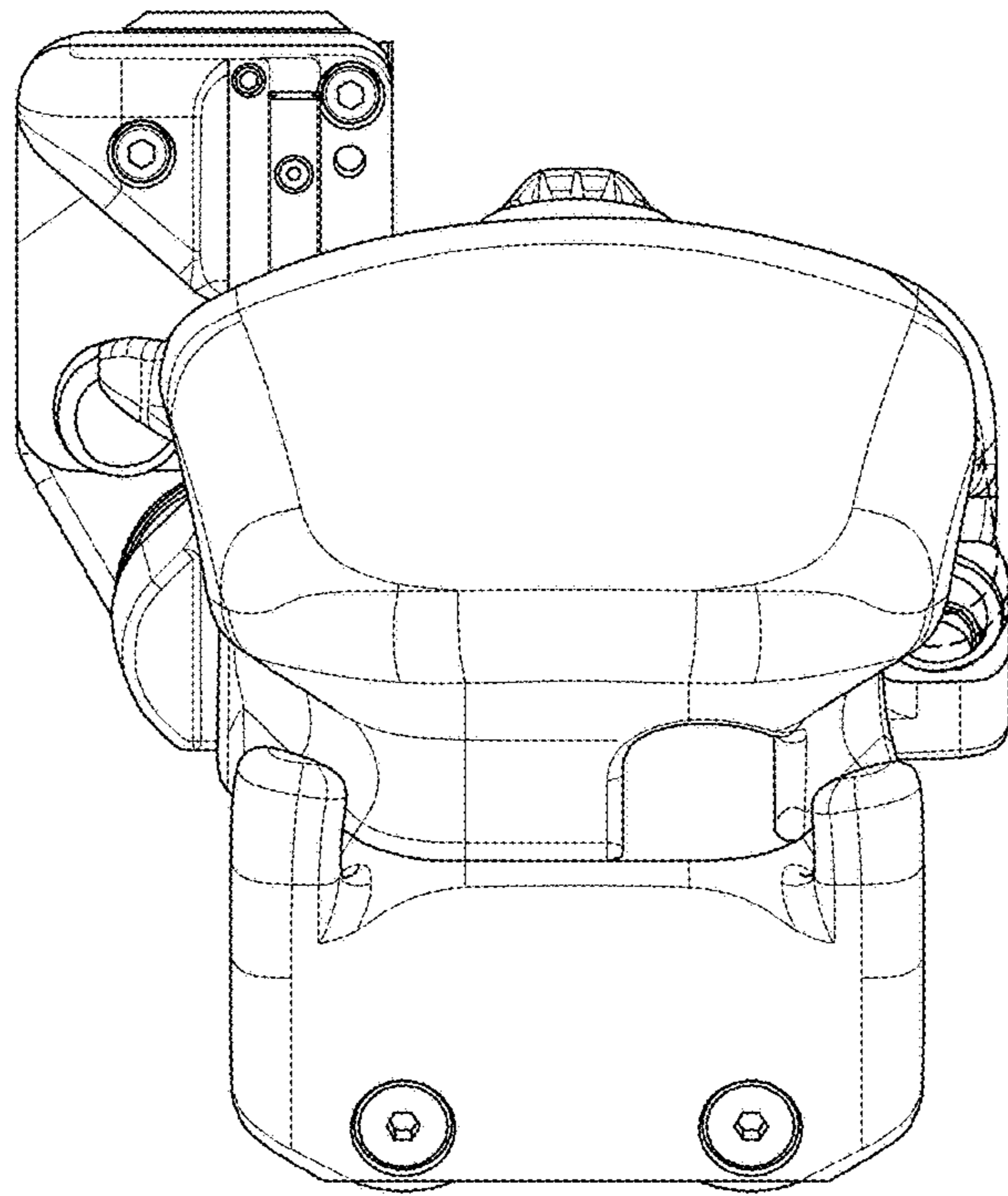
**FIG. 4**



**FIG. 5**

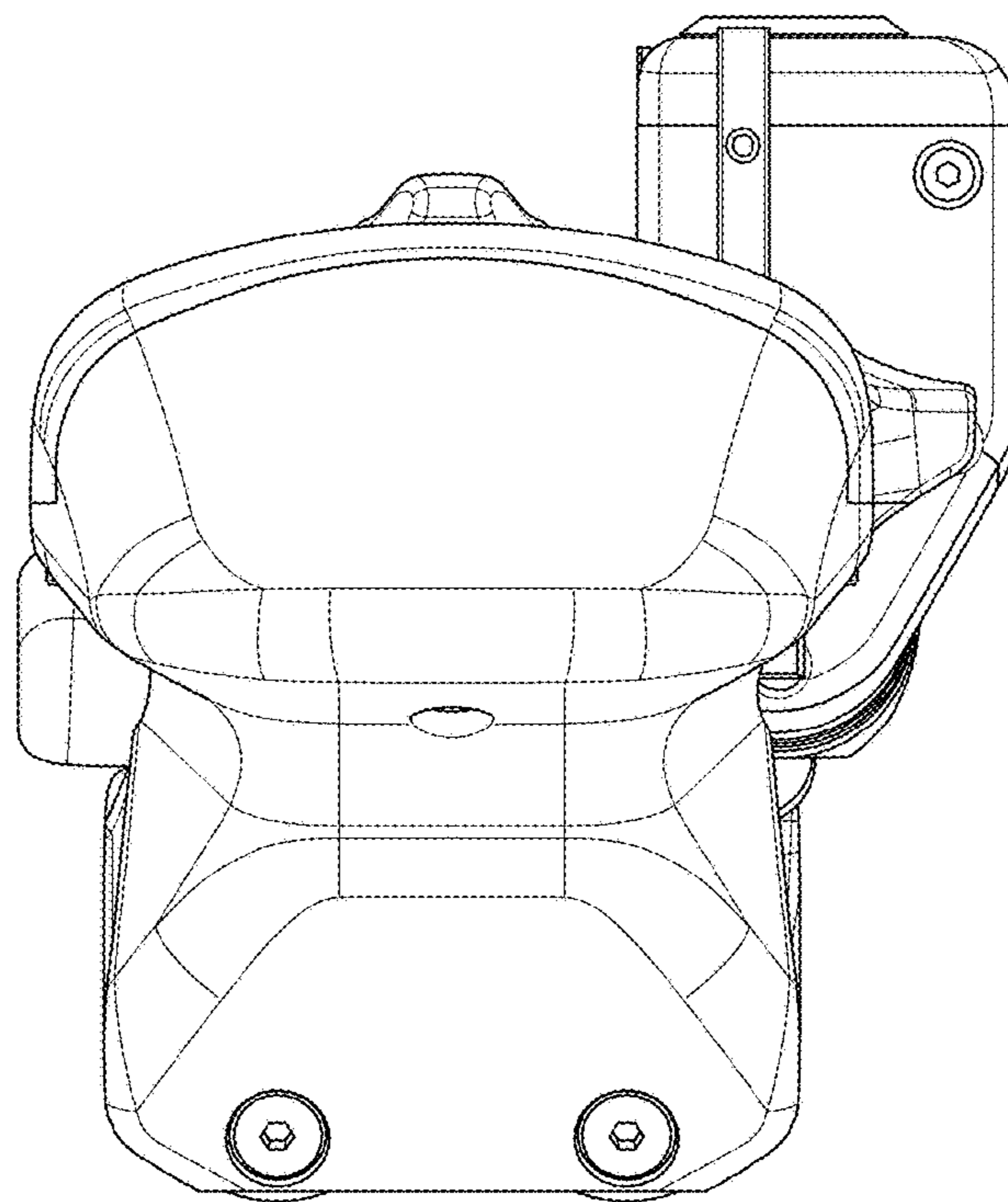


**FIG. 6**



**FIG. 7**





**FIG. 8**