



US00D863009S

(12) **United States Design Patent**
Kern

(10) **Patent No.:** **US D863,009 S**
(45) **Date of Patent:** **** Oct. 15, 2019**

- (54) **BOTTLE OPENER**
- (71) Applicant: **Target Brands, Inc.**, Minneapolis, MN (US)
- (72) Inventor: **Elizabeth Caroline Kern**, Minneapolis, MN (US)
- (73) Assignee: **Target Brands, Inc.**, Minneapolis, MN (US)
- (**) Term: **15 Years**
- (21) Appl. No.: **29/631,070**
- (22) Filed: **Dec. 27, 2017**
- (51) **LOC (12) Cl.** **07-99**
- (52) **U.S. Cl.**
USPC **D8/40**
- (58) **Field of Classification Search**
USPC D8/18, 33-43, 14, 107
CPC B67B 7/00; B67B 7/0441; B67B 7/12;
B67B 7/14; B67B 7/16; B67B 7/18;
B67B 7/24; B67B 7/30; B67B 7/34;
B67B 7/40; B67B 7/406; B67B 7/44
See application file for complete search history.

- 2,809,864 A * 10/1957 Carr A01G 3/06
172/13
- 3,645,212 A * 2/1972 Dahlstrom B60N 3/02
105/354
- D226,161 S * 1/1973 Paulsen D8/88
- 4,097,980 A * 7/1978 Bozzo B67B 7/0441
29/434
- 4,133,228 A * 1/1979 DePooter B67B 7/16
220/274
- D269,492 S * 6/1983 Peggs D8/14
- 4,399,720 A * 8/1983 Cuppett B67B 7/0441
29/434
- D304,415 S 11/1989 Regan
- D368,943 S * 4/1996 Johnson D21/793
- D377,745 S * 2/1997 Laun D8/107
- D391,134 S 2/1998 Laib
- D420,265 S 2/2000 Pierce
- D437,753 S 2/2001 Hastings et al.
- D479,966 S 9/2003 Falt et al.
- D520,312 S * 5/2006 Roma D32/42
- D533,760 S * 12/2006 Kelleghan D8/107
- D535,683 S * 1/2007 Kessinger D8/18

(Continued)

Primary Examiner — Elizabeth A. Albert
(74) *Attorney, Agent, or Firm* — Merchant & Gould P.C.

(57) **CLAIM**

The ornamental design for a bottle opener, as shown and described.

DESCRIPTION

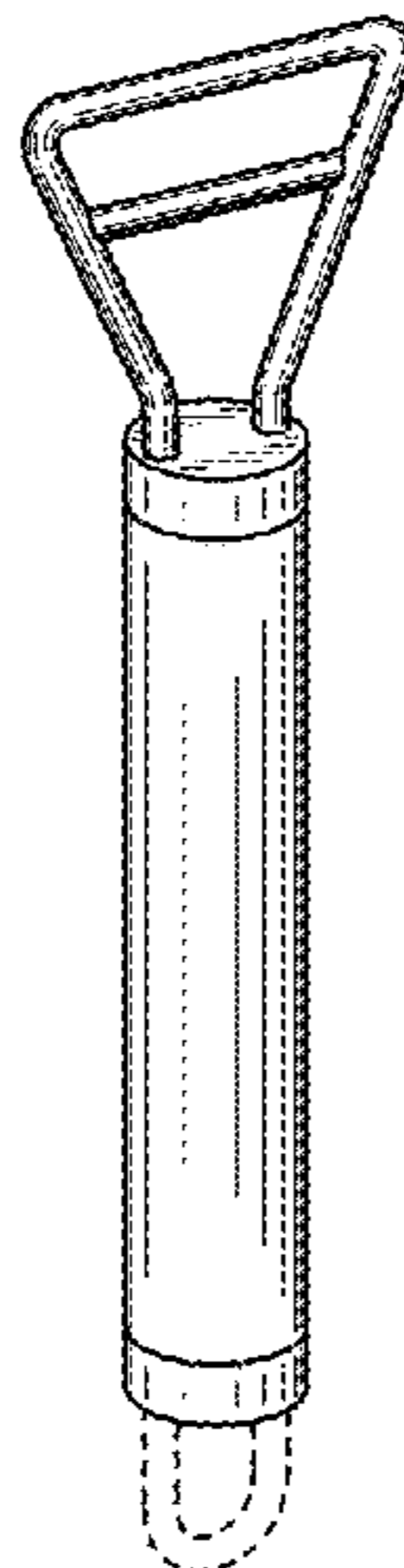
FIG. 1 is a perspective view of a bottle opener showing a new design;
FIG. 2 is a top view of the bottle opener of FIG. 1;
FIG. 3 is a bottom view of the bottle opener of FIG. 1;
FIG. 4 is a front view of the bottle opener of FIG. 1;
FIG. 5 is a rear view of the bottle opener of FIG. 1;
FIG. 6 is a side view of the bottle opener of FIG. 1.
The broken lines depict unclaimed subject matter and form no part of the claimed design.

1 Claim, 2 Drawing Sheets

(56) **References Cited**

U.S. PATENT DOCUMENTS

- 1,129,952 A * 3/1915 Brunswick B67B 7/16
401/52
- D59,645 S * 11/1921 Foote 81/3.48
- 1,529,420 A * 3/1925 Bowers B67B 7/44
7/155
- 1,974,856 A * 9/1934 White B67B 7/44
24/3.6
- 2,049,116 A * 7/1936 Harris B67B 7/44
30/414
- D137,526 S * 3/1944 Rashi D8/40
- 2,777,600 A * 1/1957 Woolfolk B67B 7/40
220/274



(56)

References Cited

U.S. PATENT DOCUMENTS

| | | | | |
|------------|---|--------|----------------|--------|
| D537,700 S | * | 3/2007 | Demar | D8/107 |
| D570,655 S | * | 6/2008 | Meagher | D8/14 |
| D727,704 S | * | 4/2015 | Krenkler | D8/40 |
| D757,513 S | | 5/2016 | Heins | |

* cited by examiner

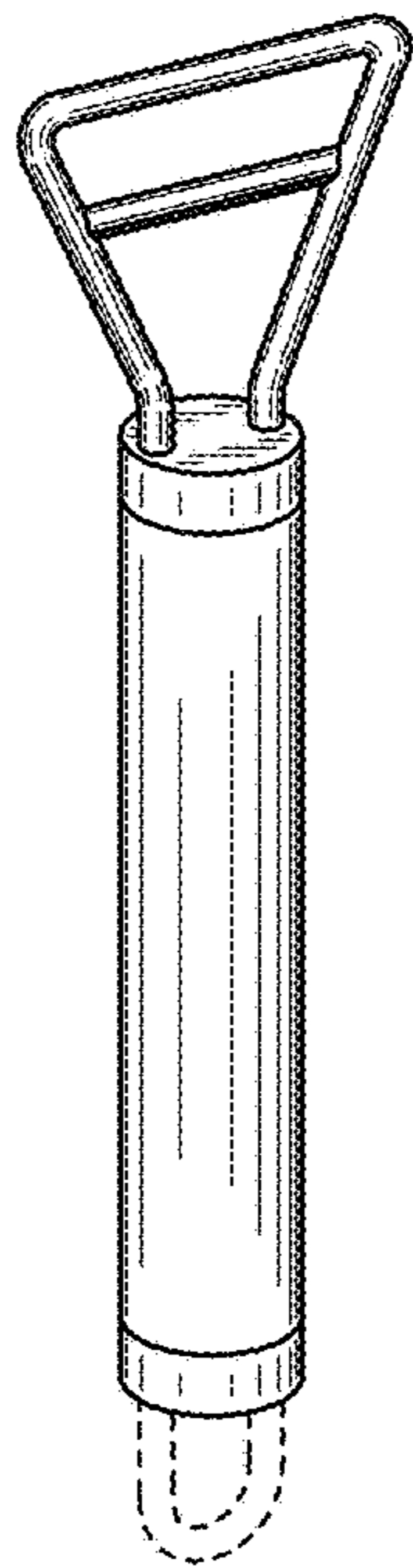


Fig. 1

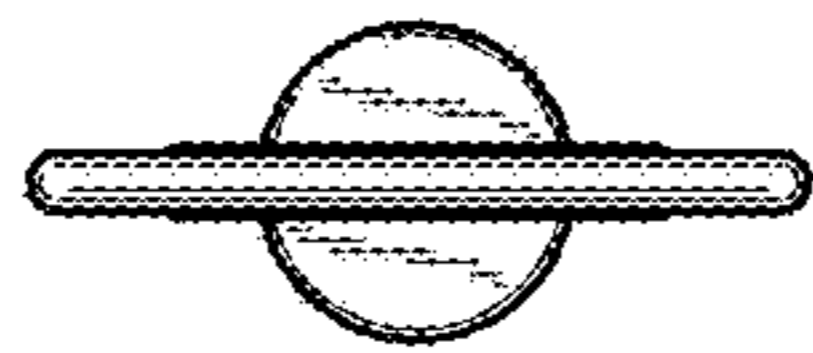


Fig. 2

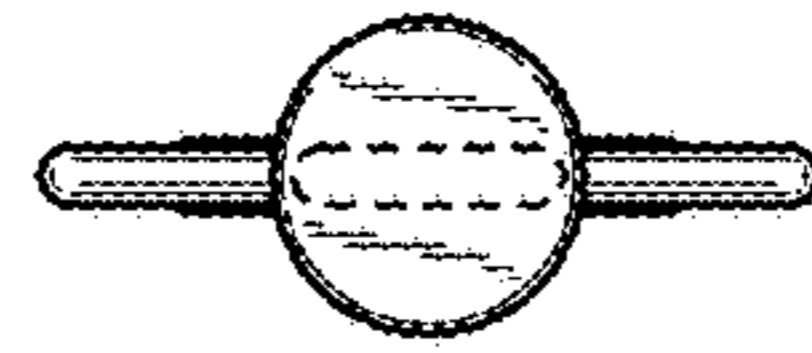


Fig. 3

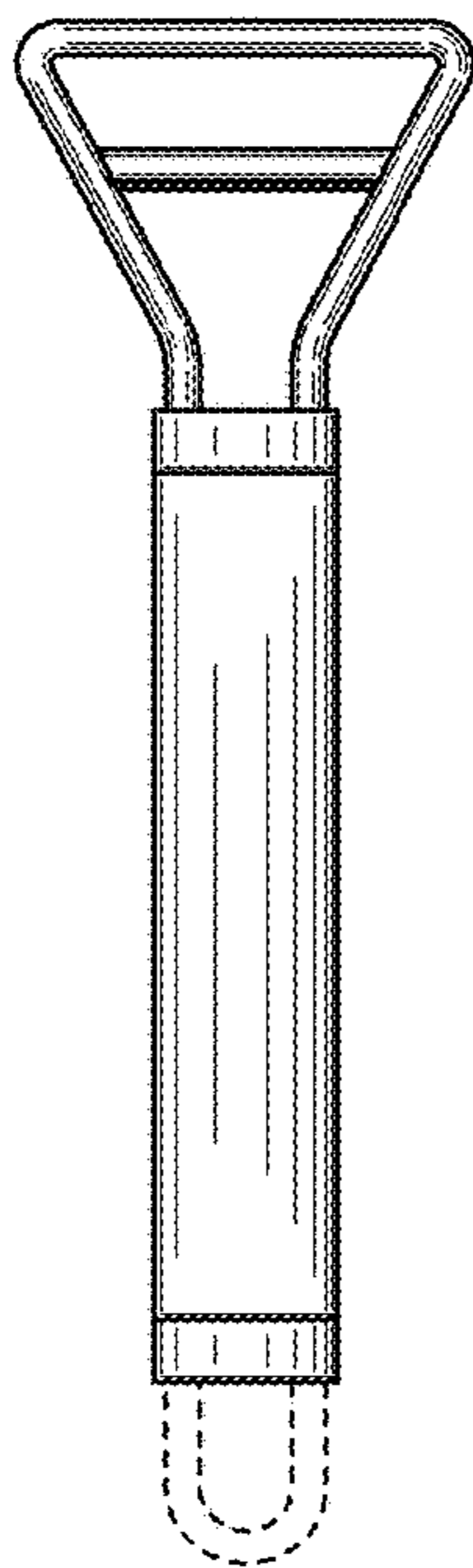


Fig. 4

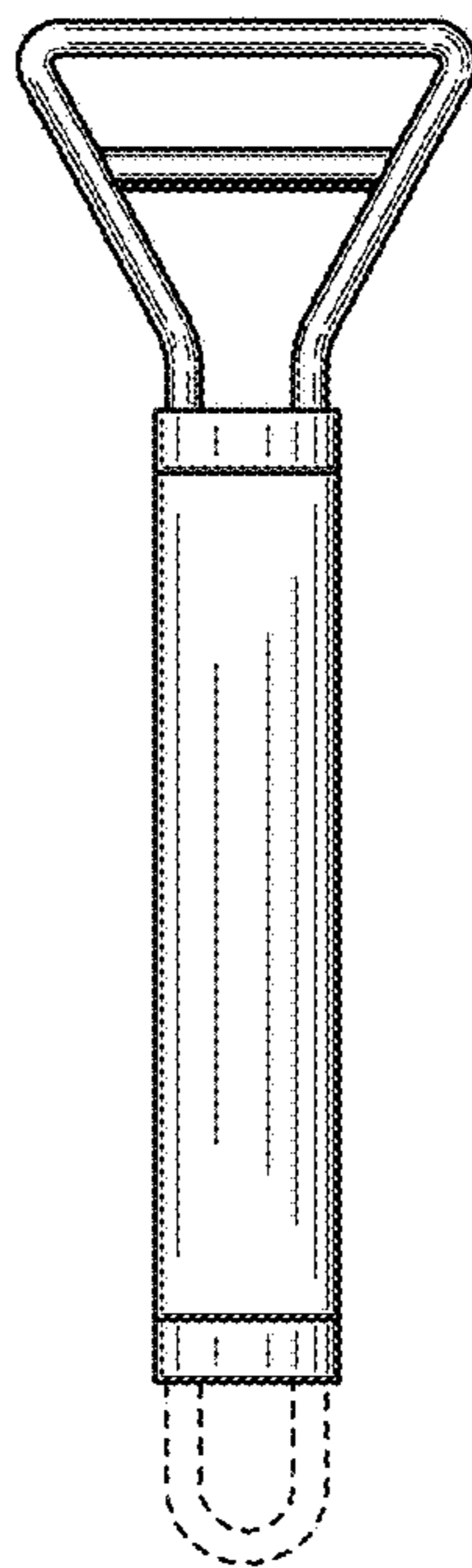


Fig. 5



Fig. 6