



US00D863004S

(12) **United States Design Patent** (10) **Patent No.:** **US D863,004 S**
Norton (45) **Date of Patent:** **** Oct. 15, 2019**

(54) **COMBINED DRIVER RATCHET**

(71) Applicant: **Durston Manufacturing Co.**, La Verne, CA (US)

(72) Inventor: **Donovan K. Norton**, La Verne, CA (US)

(73) Assignee: **Durston Manufacturing Co.**, La Verne, CA (US)

(**) Term: **15 Years**

(21) Appl. No.: **29/649,883**

(22) Filed: **Jun. 2, 2018**

(51) **LOC (12) Cl.** **08-05**

(52) **U.S. Cl.**
USPC **D8/25**

(58) **Field of Classification Search**
USPC D8/25, 60, 97, 107; 81/177.1, 177.85, 81/121.1, 124.3, 165-170, 110.1, 176.2, 81/124.6, 176.1, 176.15, 436, 177.2, 186; 16/110.1; 81/467, 476, 478, 480; 192/44, 45, 54.52; D24/133, 145, 147; 606/54, 59, 62, 63, 60, 64
CPC .. B25G 1/00; B25B 1/00; B25B 13/00; B25B 23/00

See application file for complete search history.

(56) **References Cited**

U.S. PATENT DOCUMENTS

D756,181 S * 5/2016 Lee D8/25
D785,422 S * 5/2017 Liu D8/25

* cited by examiner

Primary Examiner — Randall H Gholson

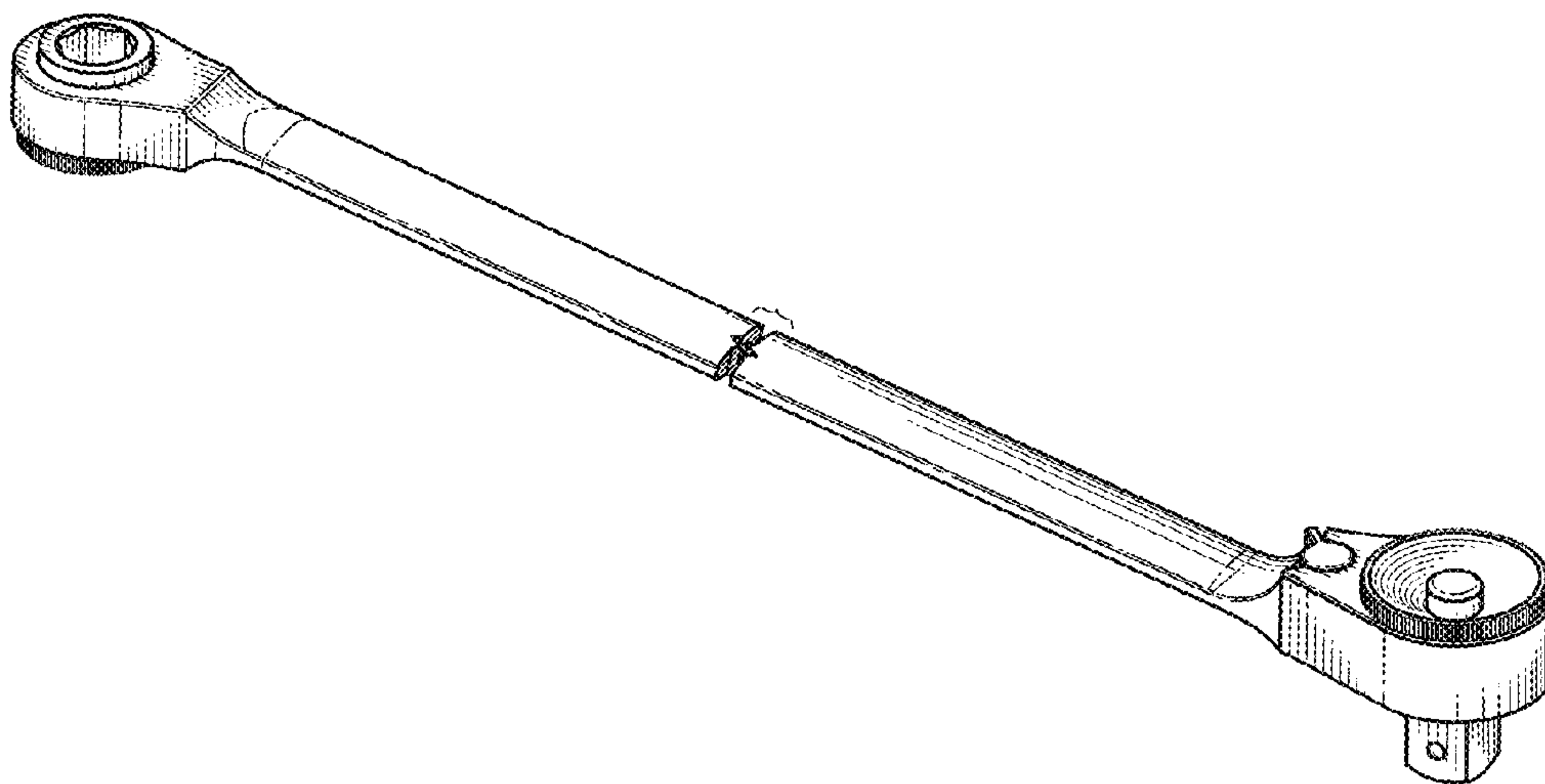
(57) **CLAIM**

The ornamental design for a combined driver ratchet, as shown and described.

DESCRIPTION

FIG. 1 is a top perspective view of the claimed design for a combined driver ratchet;
FIG. 2 is a bottom perspective view thereof;
FIG. 3 is a rear view thereof;
FIG. 4 is a front view thereof;
FIG. 5 is a right side view thereof;
FIG. 6 is a left side view thereof;
FIG. 7 is a top view thereof; and,
FIG. 8 is a bottom view thereof.
The article is shown with a symbolic break in its length. The appearance of any portion of the article between the break lines forms no part of the claimed design.

1 Claim, 3 Drawing Sheets



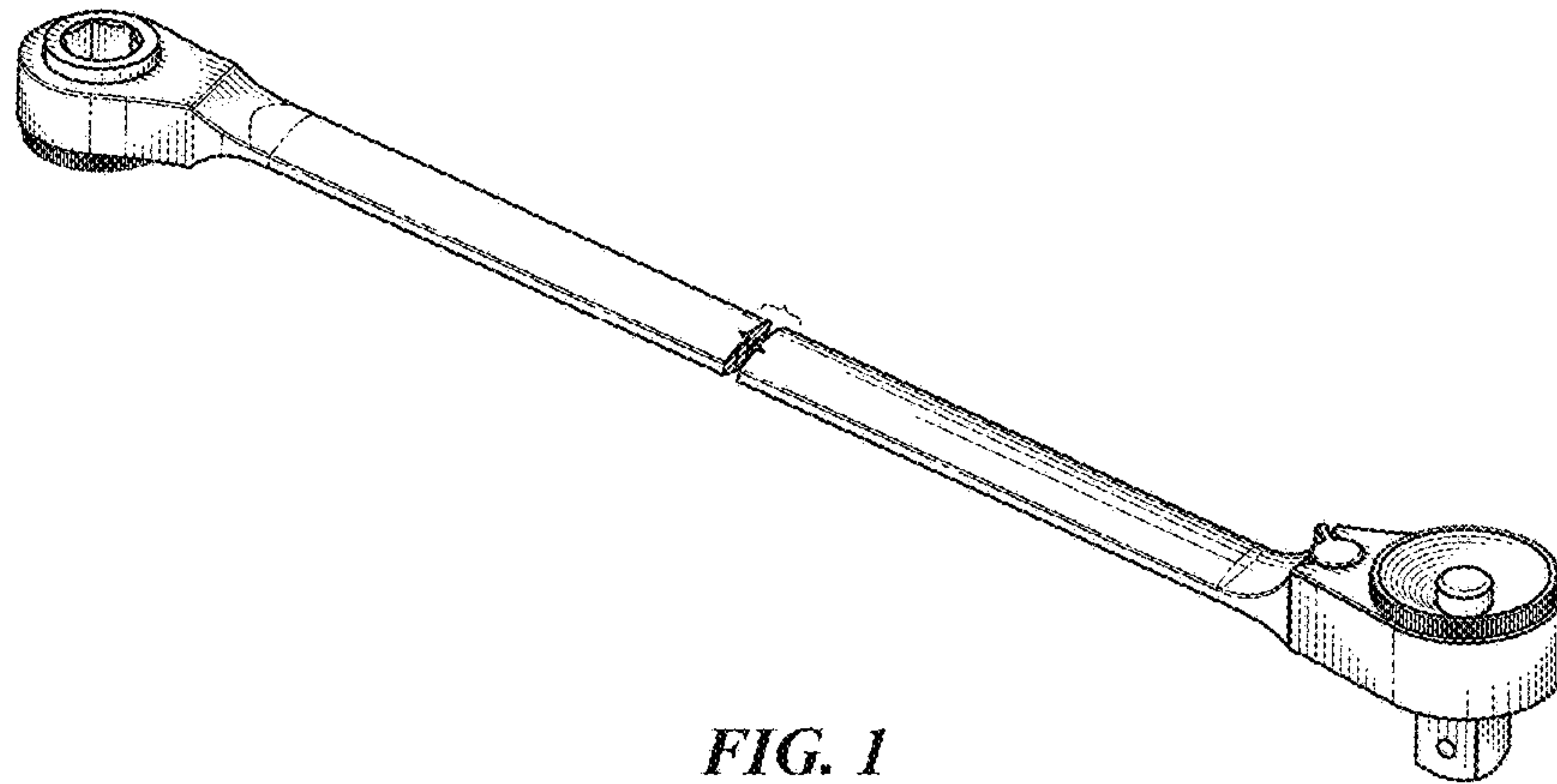


FIG. 1

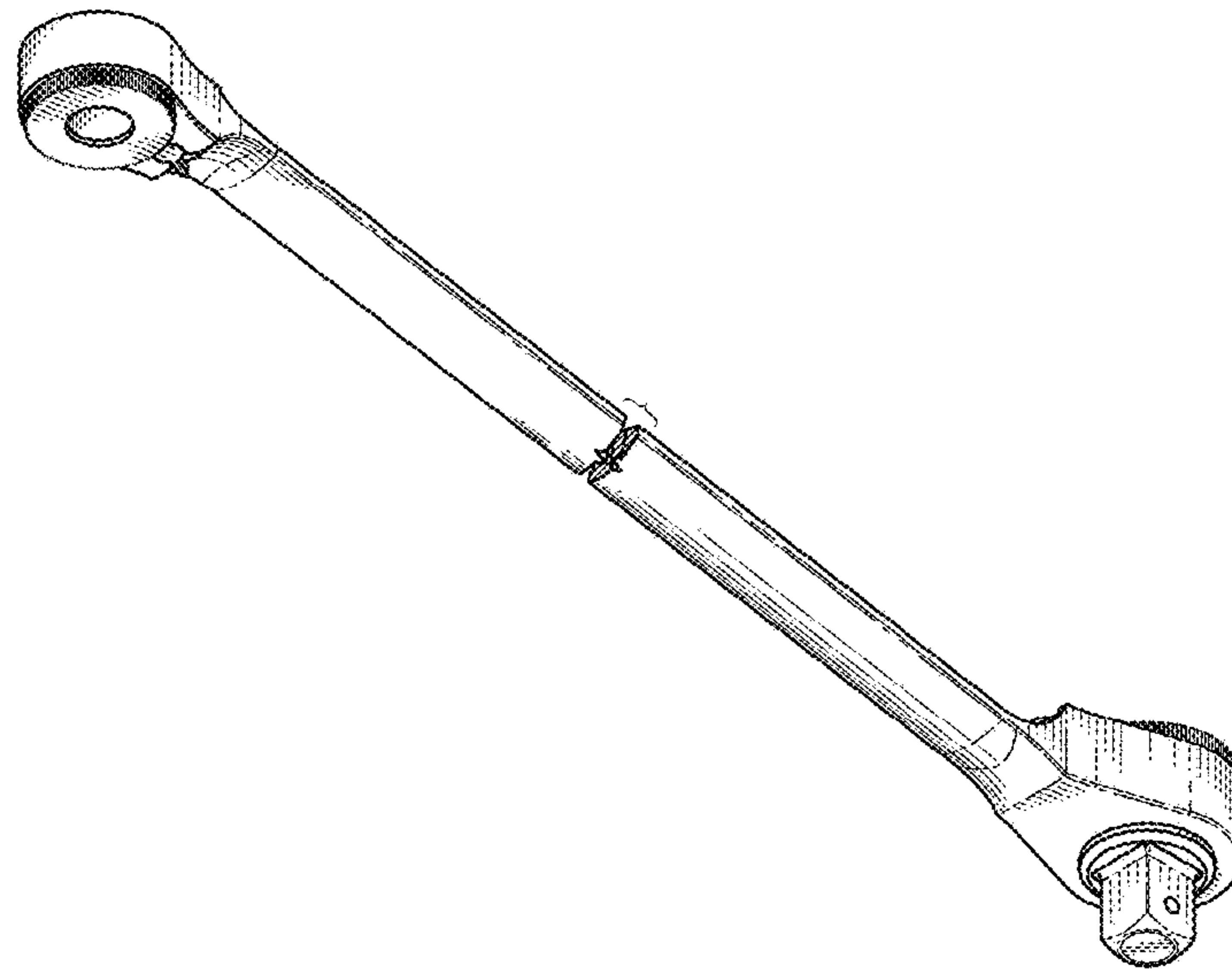


FIG. 2

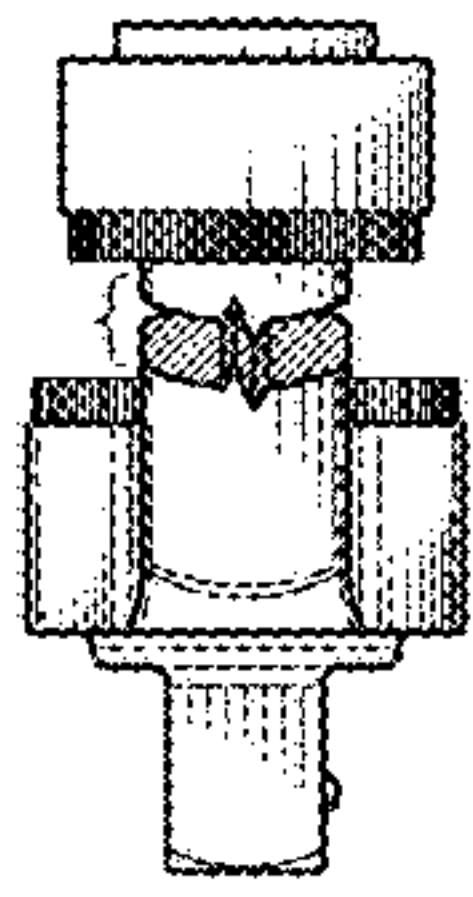


FIG. 3

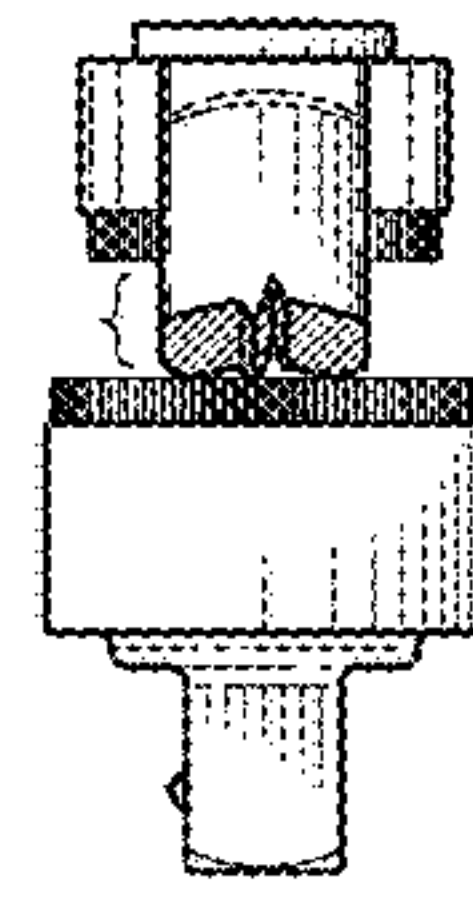


FIG. 4

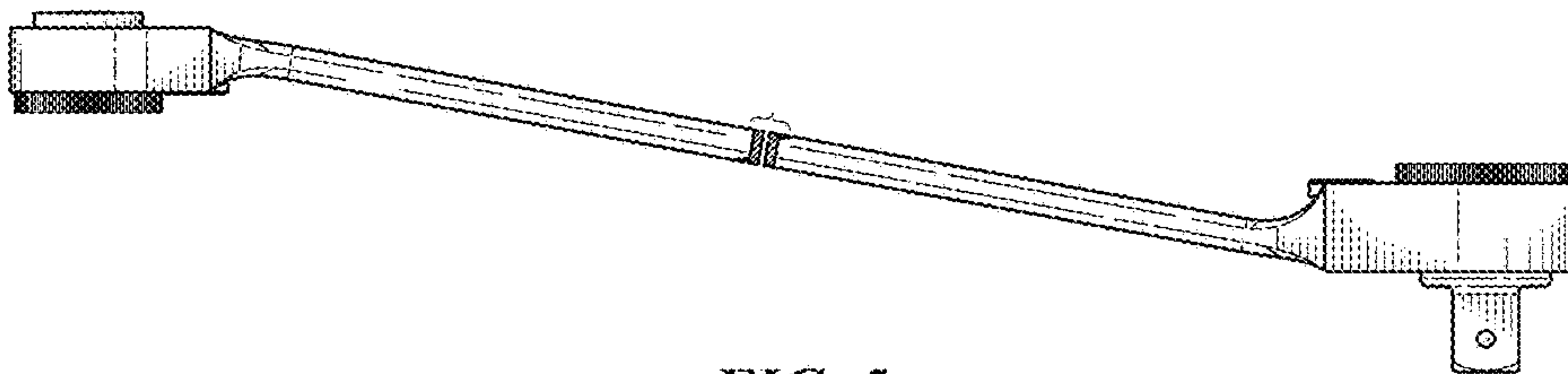


FIG. 5

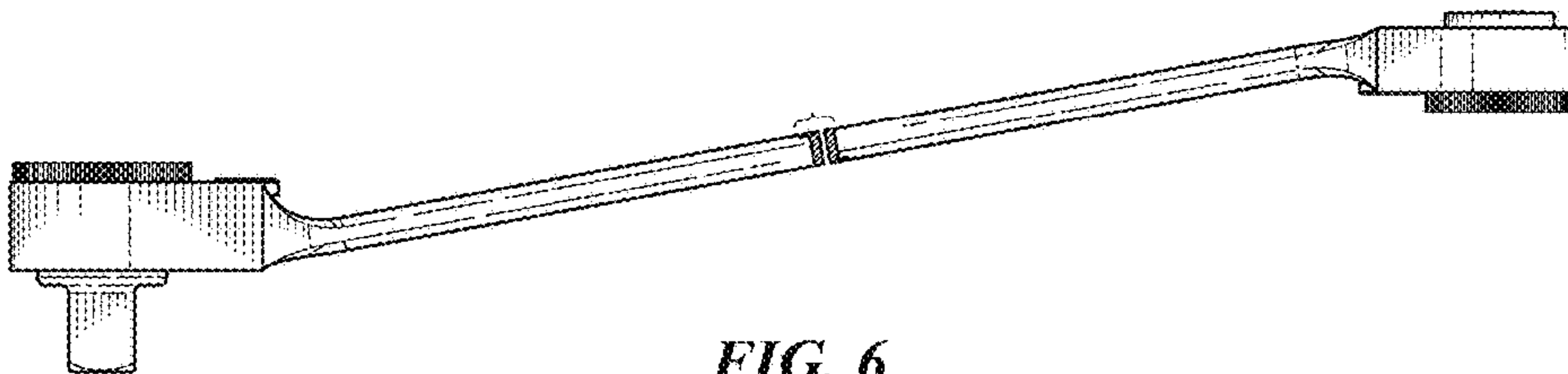


FIG. 6

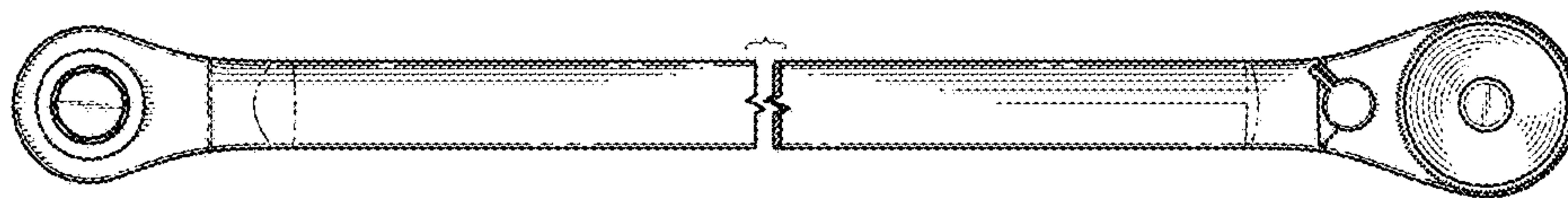


FIG. 7

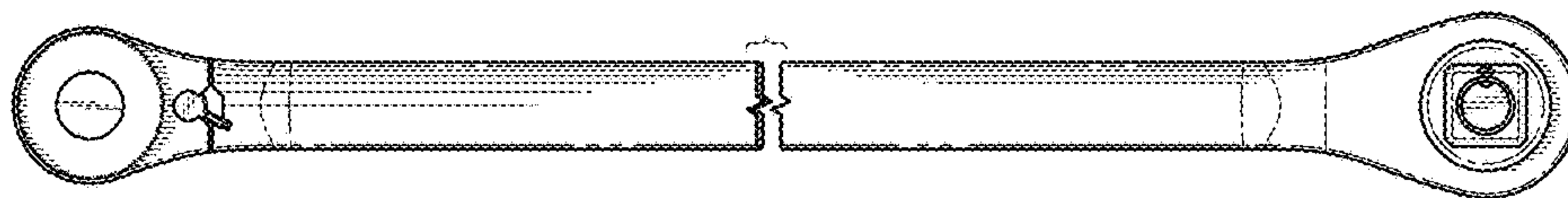


FIG. 8