



US00D863003S

(12) **United States Design Patent**  
**Sahli et al.**

(10) **Patent No.:** **US D863,003 S**  
(45) **Date of Patent:** **\*\* Oct. 15, 2019**

(54) **BOTTLE OPENER**

A43C 11/1466; A43C 11/1433; B63B  
22/00; F16B 37/02; G10K 1/26; G10K  
1/28; G10K

(71) Applicants: **Michael J. Sahli**, Maple Lake, MN  
(US); **Janet M. Sahli**, Maple Lake, MN  
(US)

(Continued)

(72) Inventors: **Michael J. Sahli**, Maple Lake, MN  
(US); **Janet M. Sahli**, Maple Lake, MN  
(US)

(56)

**References Cited**

U.S. PATENT DOCUMENTS

803,034 A 10/1906 Trickey  
913,336 A 2/1909 Westerbeck

(Continued)

(\*\*) Term: **15 Years**

(21) Appl. No.: **29/622,518**

OTHER PUBLICATIONS

(22) Filed: **Oct. 17, 2017**

6pc Lobster Crab Claw Nut Shellfish Seafood Crackers, posted May 5, 2017, [retrieved Jan. 2, 2019]. Retrieved from Internet, <URL: <https://www.amazon.com/Lobster-Crab-Shellfish-Seafood-Crackers/dp/B071YWNTZV> >.\*

(51) **LOC (12) Cl.** ..... **08-05**

(52) **U.S. Cl.**  
USPC ..... **D8/19**

(Continued)

(58) **Field of Classification Search**

USPC ..... D08/16, 17, 18, 19, 33, 34, 39, 40, 43,  
D08/51, 354, 363, 364, 366, 367, 368,  
D08/370, 371, 373, 380, 381; D06/323,  
D06/515, 518, 521, 523, 524, 537, 540,  
D06/545, 546, 549, 566; D25/38.1, 119,  
D25/122, 123; D02/602, 605, 606, 627,  
D02/643; D03/207, 215; D11/7, 40, 43,  
D11/79, 200, 201, 204, 208, 209, 212;  
D24/155; D29/129, 130

*Primary Examiner* — Barbara Fox

*Assistant Examiner* — Kristin E Reed

(74) *Attorney, Agent, or Firm* — Albert W. Watkins

CPC ..... A61B 17/80; A61B 17/66; A61B 17/58;  
A61B 17/8019; A61B 17/842; A61B  
17/8625; A61B 17/863; A61B 17/8635;  
A61B 17/8866; B67B 7/44; B67B 7/18;  
B67B 7/0423; B67B 7/16; E04G 5/041;  
E04G 5/043; E04G 21/3276; E04G  
21/3285; E04D 13/12; B25F 1/04; B25F  
5/027; B26B 11/001; A47K 10/40; A47H  
27/00; A47G 7/045; A47B 13/02; A47B  
87/00; A47B 96/02; A47B 96/06; A47B  
57/06; A47B 87/005; A47B 57/34; A47B  
96/021; A47B 96/061; A47F 5/13; A44B  
11/04; A43B 1/0027; A43C 11/1413;

(57)

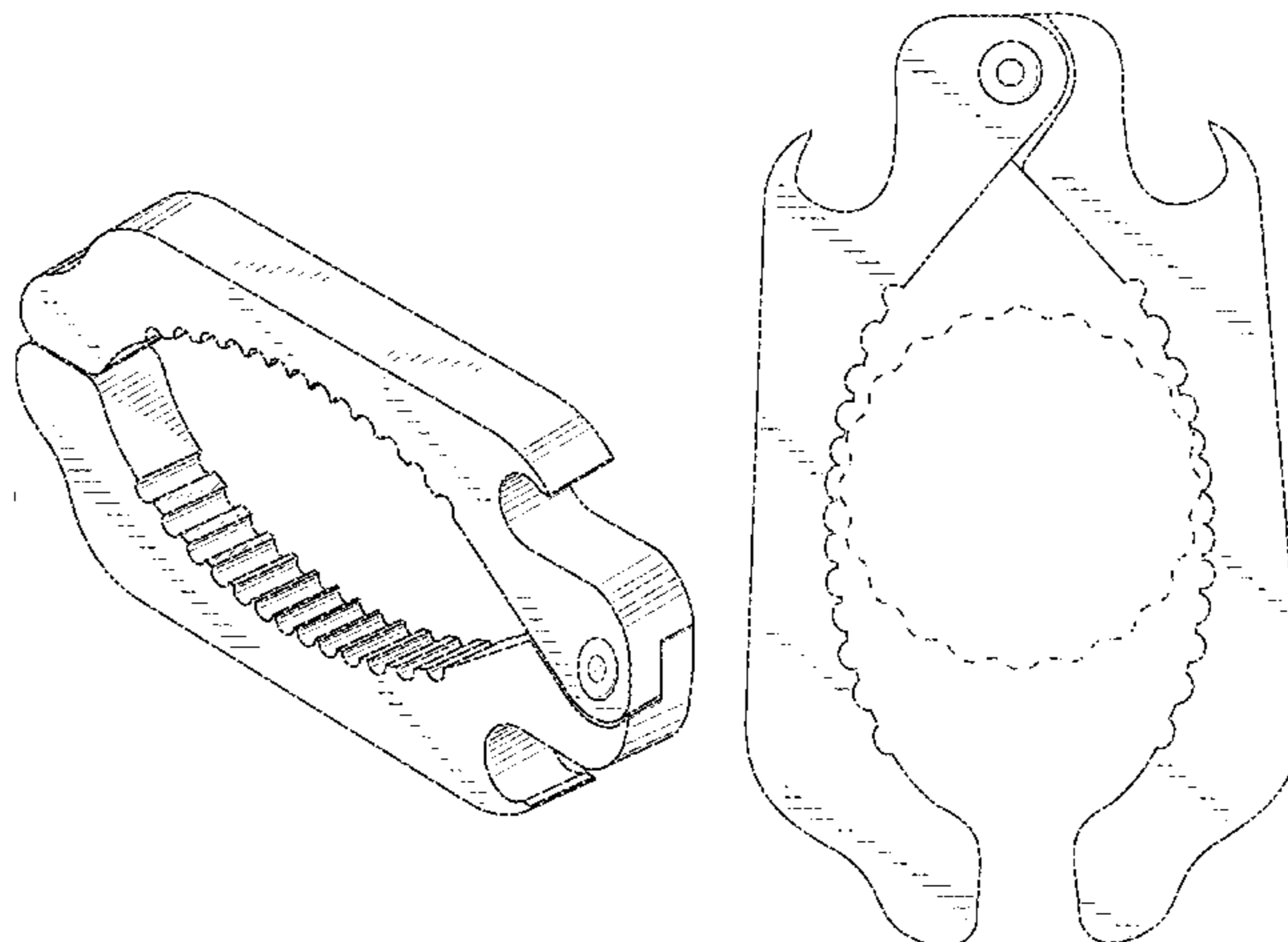
**CLAIM**

The ornamental design for a bottle opener, as shown and described.

**DESCRIPTION**

FIG. 1 is an isometric view of a bottle opener showing our new design;  
FIG. 2 is a front view thereof, with the back view being identical thereto;  
FIG. 3 is a top view;  
FIG. 4 is a bottom view;  
FIG. 5 is a left side view, with the right side view being identical thereto; and,  
FIG. 6 is a front view of the bottle opener in an alternate position.

(Continued)



The bottle cap depicted by broken lines in FIG. 6 has been shown for the purpose of illustrating environment that forms no part of the claimed design.

**1 Claim, 4 Drawing Sheets**

**(58) Field of Classification Search**

CPC ..... 9/22; H02G 1/00; A45F 2200/0575; B25B 13/54; F16G 13/16; F16L 33/02; F16L 33/22; F16L 35/00

See application file for complete search history.

**(56) References Cited**

U.S. PATENT DOCUMENTS

1,361,639	A	12/1920	Stevenson	
1,466,118	A *	8/1923	Ciha .....	B67B 7/44 30/429
1,605,811	A	11/1926	Danielson	
D86,718	S *	4/1932	Higginbotham .....	D8/39
2,082,699	A	6/1937	Keppinger	
D114,211	S	4/1939	Francke	
D144,920	S	6/1946	Graham	
D154,375	S	7/1949	Fisher	
2,523,544	A *	9/1950	Stamp .....	B67B 7/44 30/1.5
D163,785	S	7/1951	Amigone	
2,691,909	A	10/1954	Hopmann	
D173,600	S	12/1954	Amigone	
2,729,125	A	1/1956	Krzanowski	
2,856,804	A *	10/1958	Whiteley .....	B67B 7/16 81/3.4

4,509,784	A *	4/1985	Vollers .....	B67B 7/18 294/99.1
D297,705	S *	9/1988	Difede .....	D8/40
D334,693	S *	4/1993	Burke .....	D8/17
D342,199	S	12/1993	Nye	
5,655,806	A	8/1997	Halladay et al.	
6,263,761	B1	7/2001	Ryder	
D458,820	S *	6/2002	Kay .....	D8/41
7,069,815	B1	7/2006	Yu	
D538,119	S *	3/2007	Kaposi .....	D8/40
7,582,350	B2	9/2009	Kaposi	
8,904,647	B2 *	12/2014	Steiner .....	H02G 1/1224 30/337
D747,947	S *	1/2016	Ma .....	D8/105
D756,178	S *	5/2016	Kelleghan .....	D2/639
D771,460	S *	11/2016	Steiner .....	D8/55

OTHER PUBLICATIONS

Kitchen Bottle Opener Jar Opener Multi 6 in 1 Can Opener Kitchen Grippers to Remove Stubborn Lids, posted Jun. 18, 2017, [retrieved Jan. 2, 2019]. Retrieved from Internet, <URL: [https://www.amazon.com/dp/B072V6KBD2/ref=sspa\\_dk\\_detail\\_0?psc=1](https://www.amazon.com/dp/B072V6KBD2/ref=sspa_dk_detail_0?psc=1) >.\*

LAOA LA815826 Multifunctional Wire Stripper Portable Handheld Stripping Pliers, posted as early as Jul. 13, 2017, [retrieved Jan. 2, 2019]. Retrieved from Internet, <URL: [https://www.banggood.com/LAOA-LA815826-Multi-functional-Wire-Stripper-Portable-Handheld-Stripping-Pliers-p-1059089.html?cur\\_warehouse=CN#jsReviewsWra](https://www.banggood.com/LAOA-LA815826-Multi-functional-Wire-Stripper-Portable-Handheld-Stripping-Pliers-p-1059089.html?cur_warehouse=CN#jsReviewsWra) >.\*

Dimide Heavy-Duty Impact Wrench Compatible Metalworking & Welding Clamp—12 inch, posted as early as Sep. 27, 2017, [retrieved Jan. 2, 2019]. Retrieved from Internet, <URL: <https://dimide.com/collections/heavy-duty-metalworking-welding-clamps/products/dimide-clamp-12-inch> >.\*

\* cited by examiner

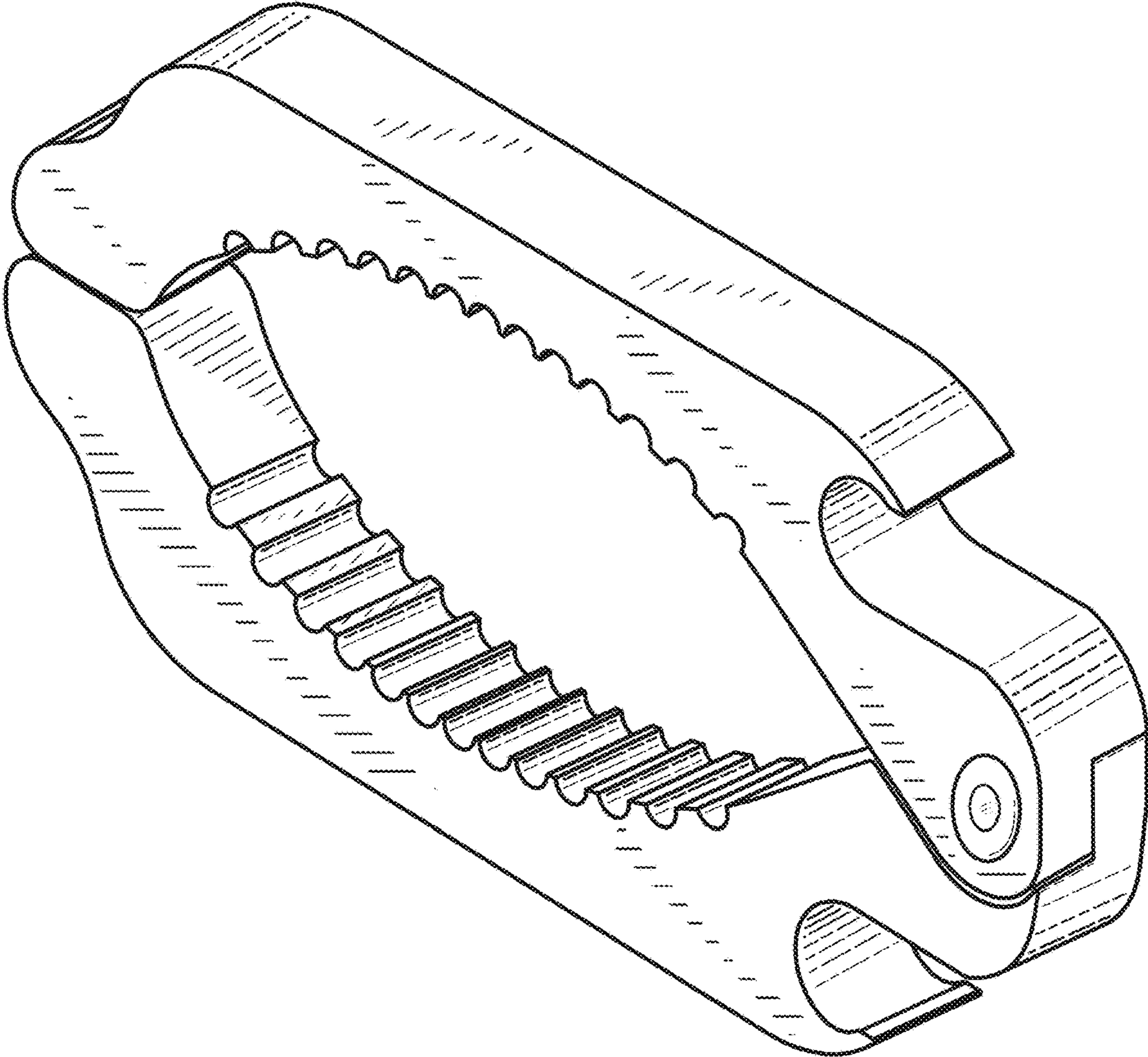


FIG. 1



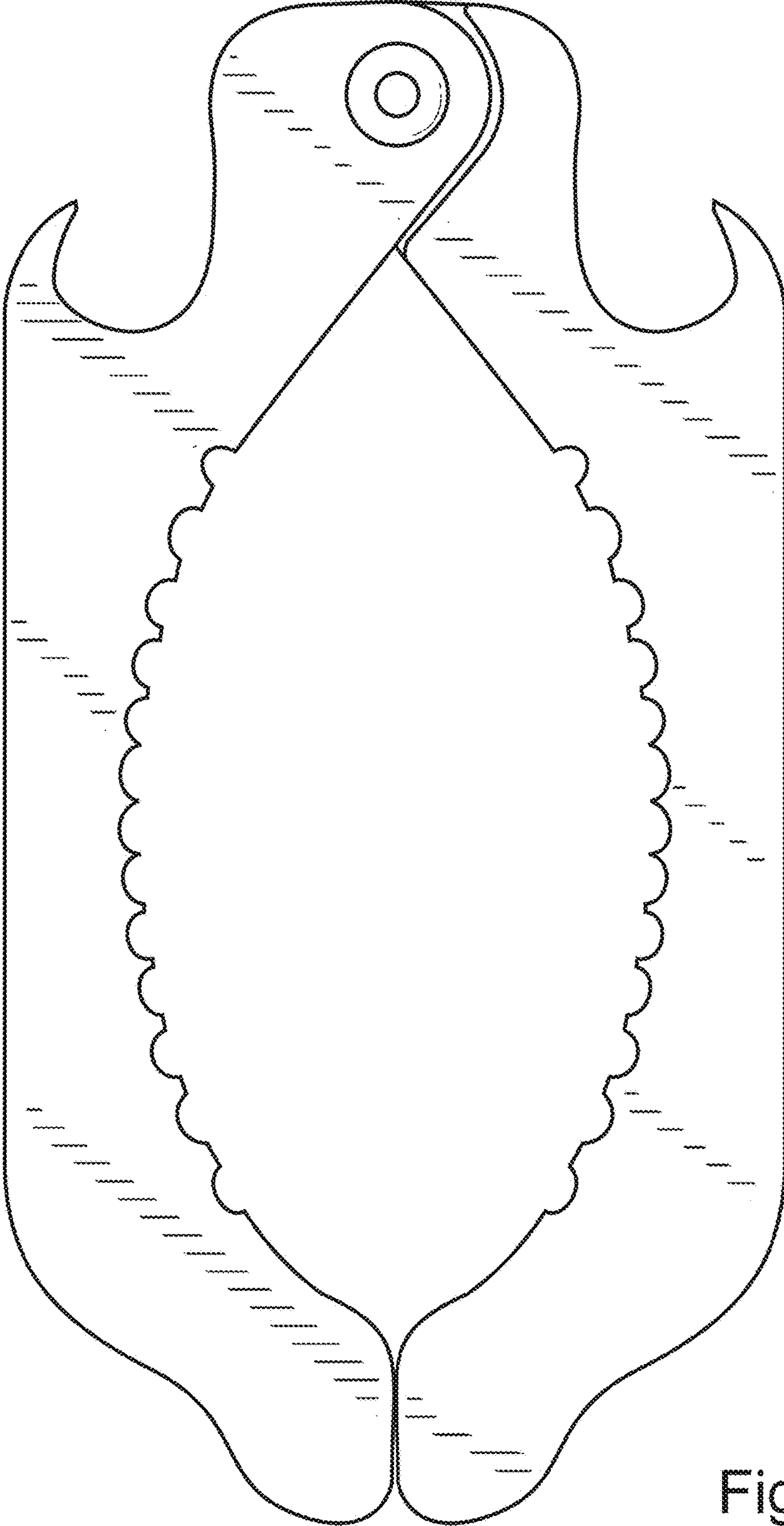


Fig. 2

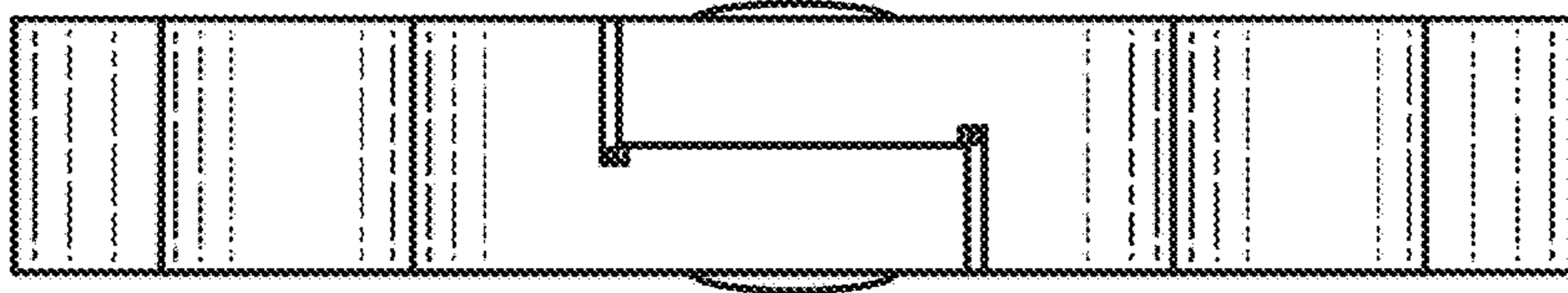


Fig. 3

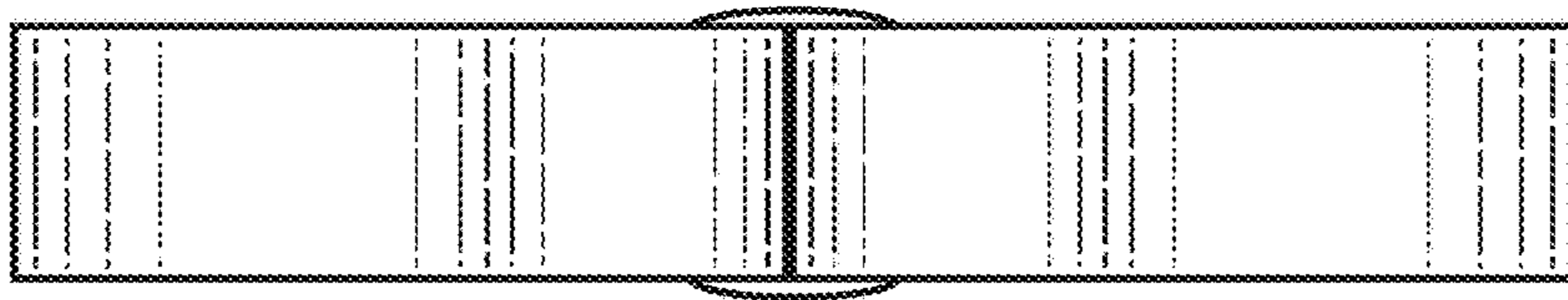


Fig. 4



Fig. 5

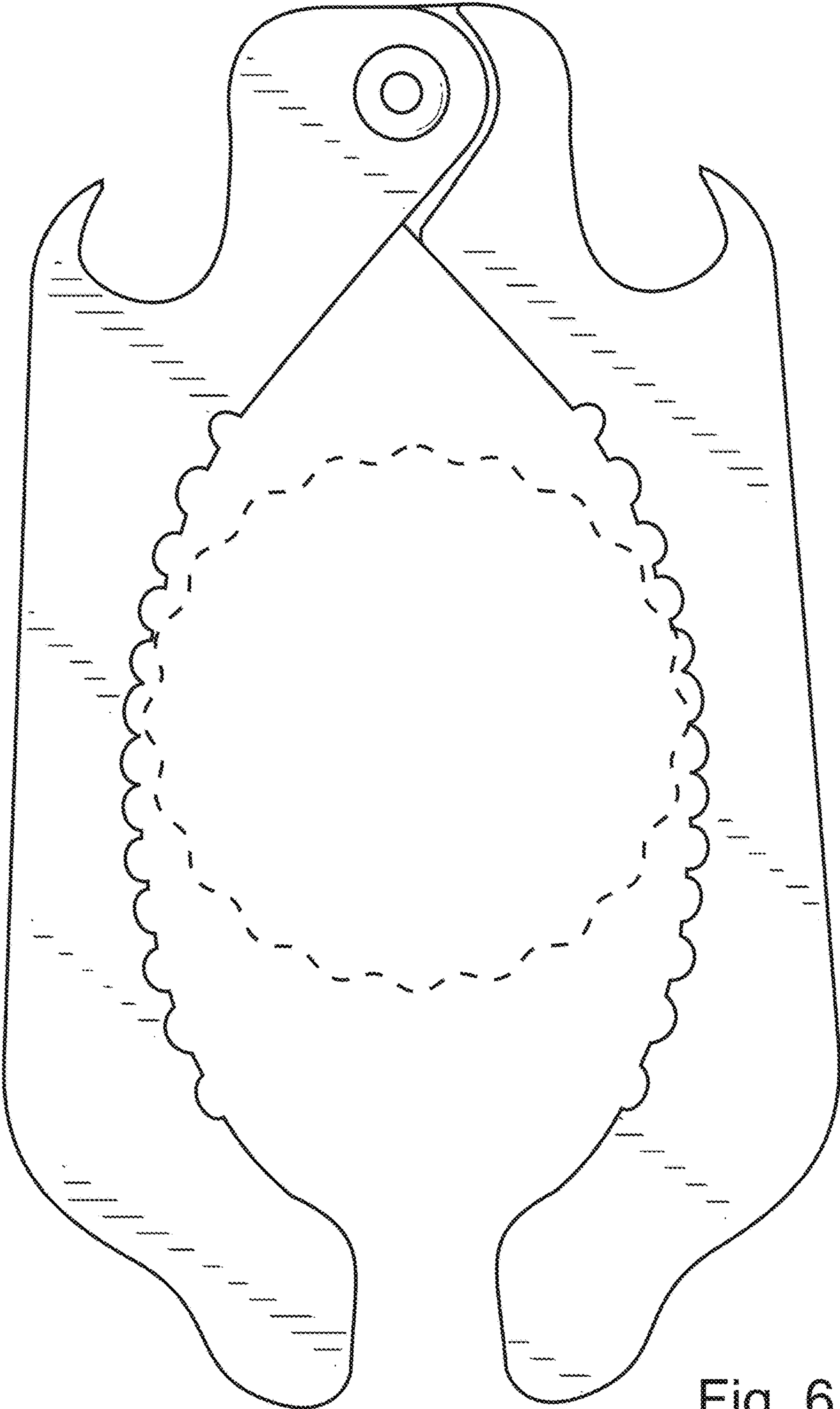


Fig. 6