



US00D863002S

(12) **United States Design Patent**
Hung

(10) **Patent No.:** **US D863,002 S**

(45) **Date of Patent:** **** Oct. 15, 2019**

- (54) **PRESSURE GAUGE OF CAULKING GUN**
- (71) Applicant: **SIANG SYUAN FU ENTERPRISE CO., LTD.**, Changhua County (TW)
- (72) Inventor: **Hung-Chih Hung**, Changhua County (TW)
- (73) Assignee: **SIANG SYUAN FU ENTERPRISE CO., LTD.**, Hemei Township, Changhua County (TW)
- (**) Term: **15 Years**
- (21) Appl. No.: **29/645,385**
- (22) Filed: **Apr. 25, 2018**
- (51) **LOC (12) Cl.** **08-05**
- (52) **U.S. Cl.**
USPC **D8/14.1**
- (58) **Field of Classification Search**
USPC D8/14.1; D10/83, 85, 358
CPC B05C 17/0103; B05C 17/00553; B05C 17/00576; B05C 17/01; B05C 13/0126; B65D 83/0033; B65D 83/0005
See application file for complete search history.

(56) **References Cited**

U.S. PATENT DOCUMENTS

- 5,887,765 A * 3/1999 Broesamle B05C 17/01 222/391
- 6,691,899 B2 * 2/2004 Sung B05C 17/01 222/391
- D672,568 S * 12/2012 Keeley D6/349
- D757,870 S * 5/2016 Leslie D21/693

- 2011/0006086 A1 * 1/2011 Yates A47K 5/14 222/190
- 2011/0056994 A1 * 3/2011 Yen B05C 17/01 222/326
- 2014/0084022 A1 * 3/2014 Paul B65D 83/0005 222/80
- 2015/0053717 A1 * 2/2015 Williams B05C 17/00583 222/95
- 2016/0288160 A1 * 10/2016 Hung B05C 17/01
- 2018/0290080 A1 * 10/2018 Burkot B01D 29/90

* cited by examiner

Primary Examiner — Philip S Hyder

(74) *Attorney, Agent, or Firm* — Muncy, Geissler, Olds & Lowe, P.C.

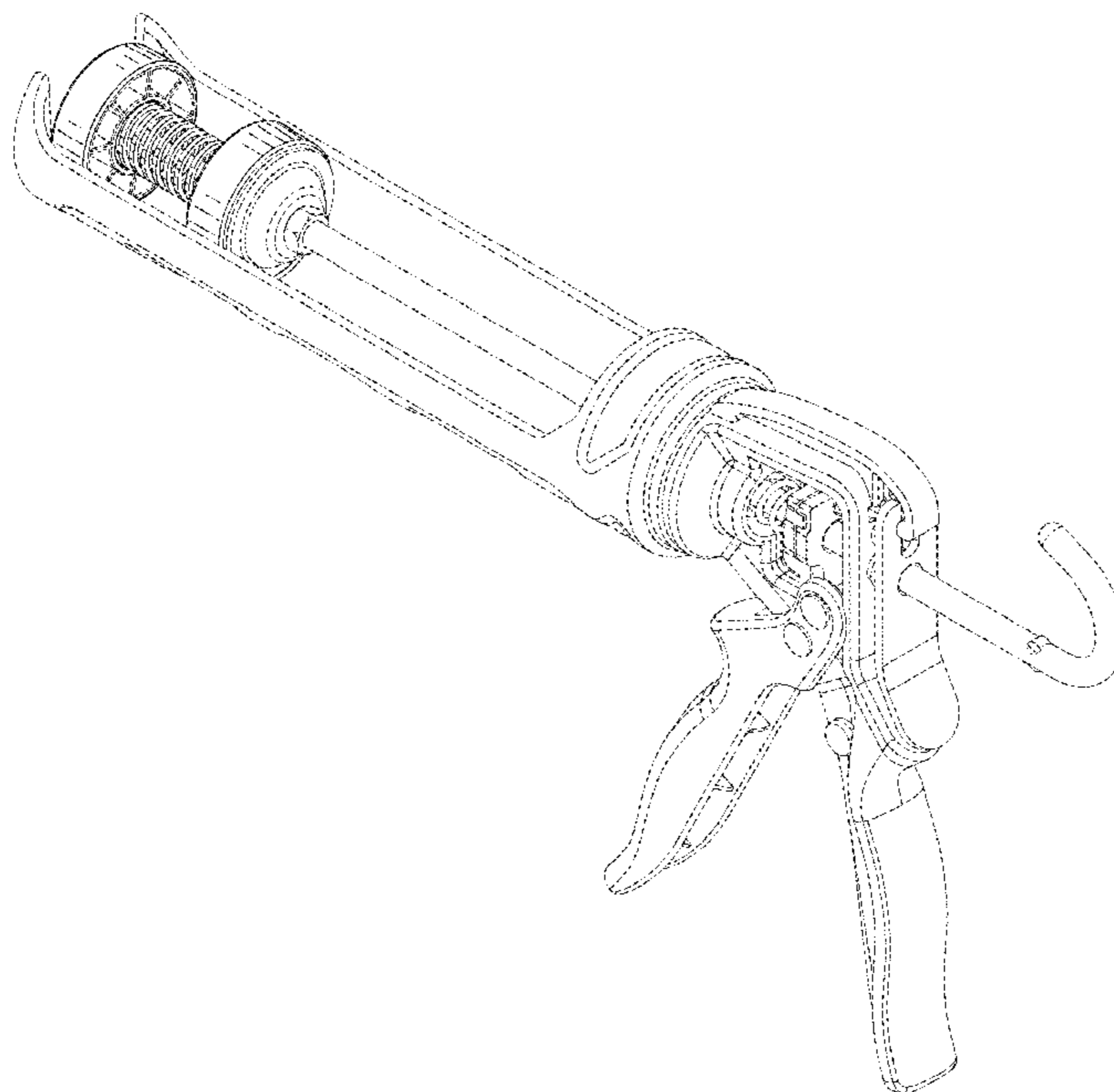
(57) **CLAIM**

I claim the ornamental design for a pressure gauge of caulking gun, as shown and described.

DESCRIPTION

FIG. 1 is a front, right, top perspective view of a pressure gauge of caulking gun showing my new design; FIG. 2 is a front elevational view thereof; FIG. 3 is a rear elevational view thereof; FIG. 4 is a left side view thereof; FIG. 5 is a right side view thereof; FIG. 6 is a top plan view thereof; FIG. 7 is a bottom plan view thereof; and, FIG. 8 is a perspective view of thereof, in the environment of a caulking gun, as it would appear in use. The broken line showing of the caulking gun in FIG. 8 is provided for purposes of environment and forms no part of the claimed design.

1 Claim, 7 Drawing Sheets



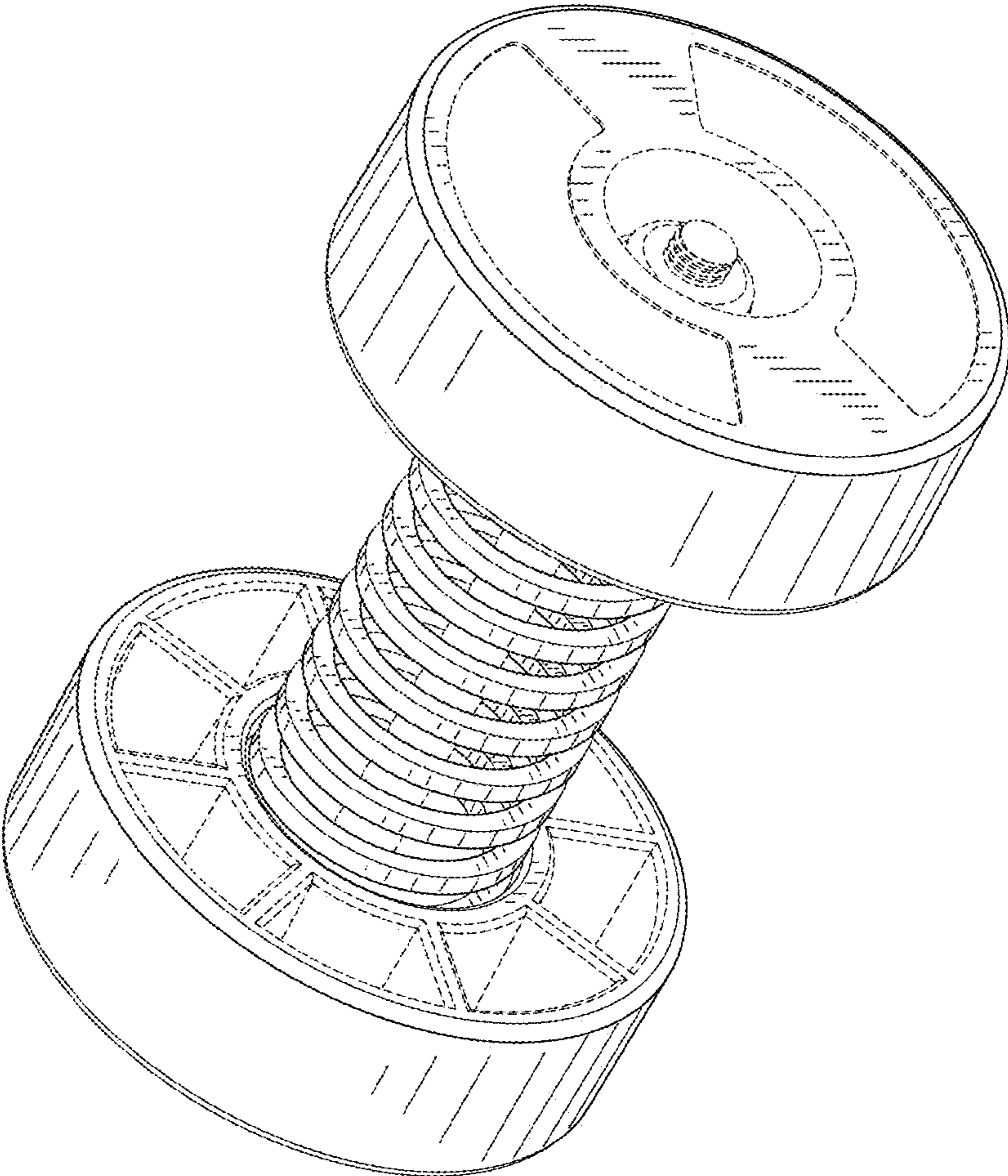


FIG. 1

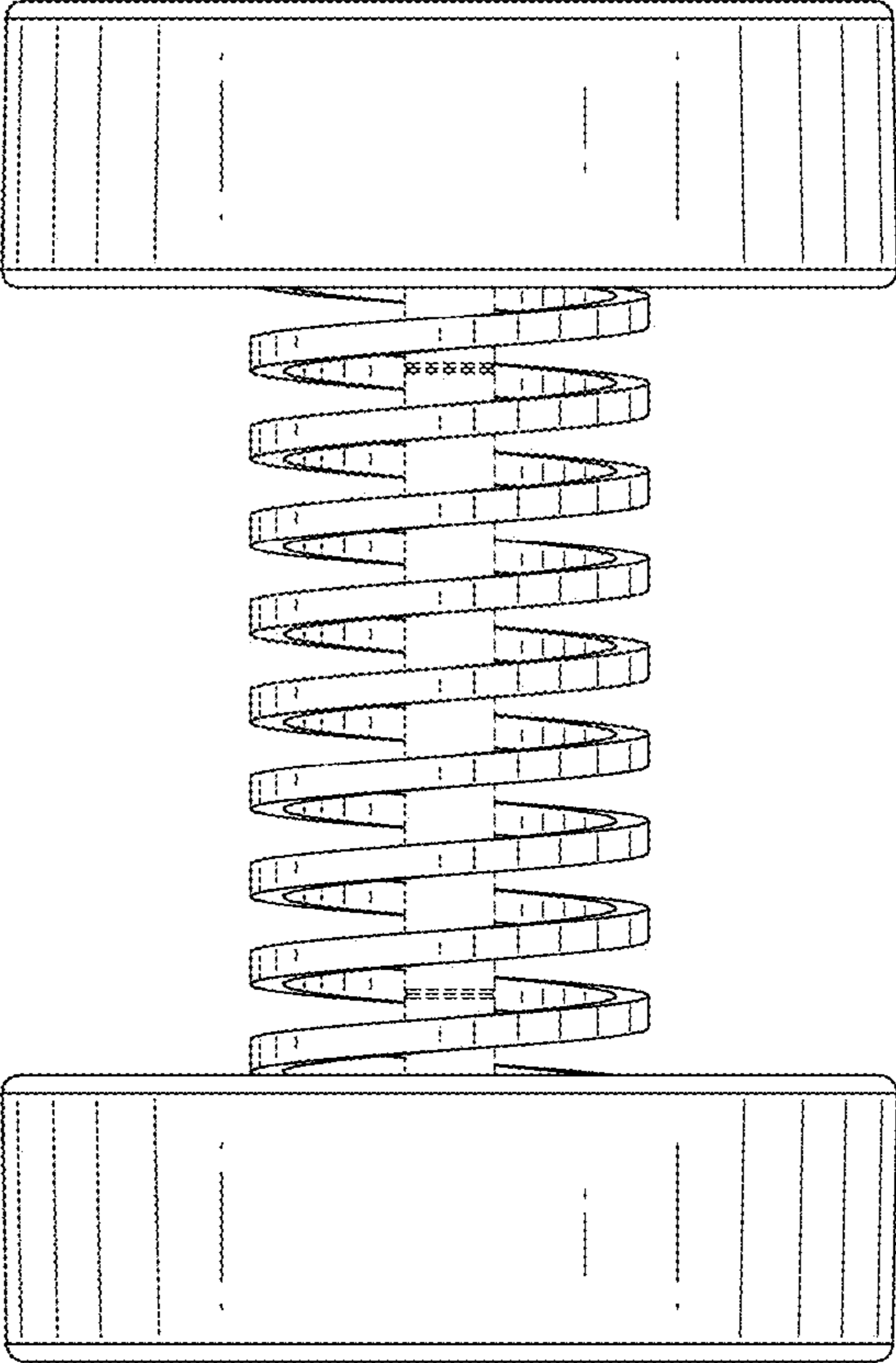


FIG. 2

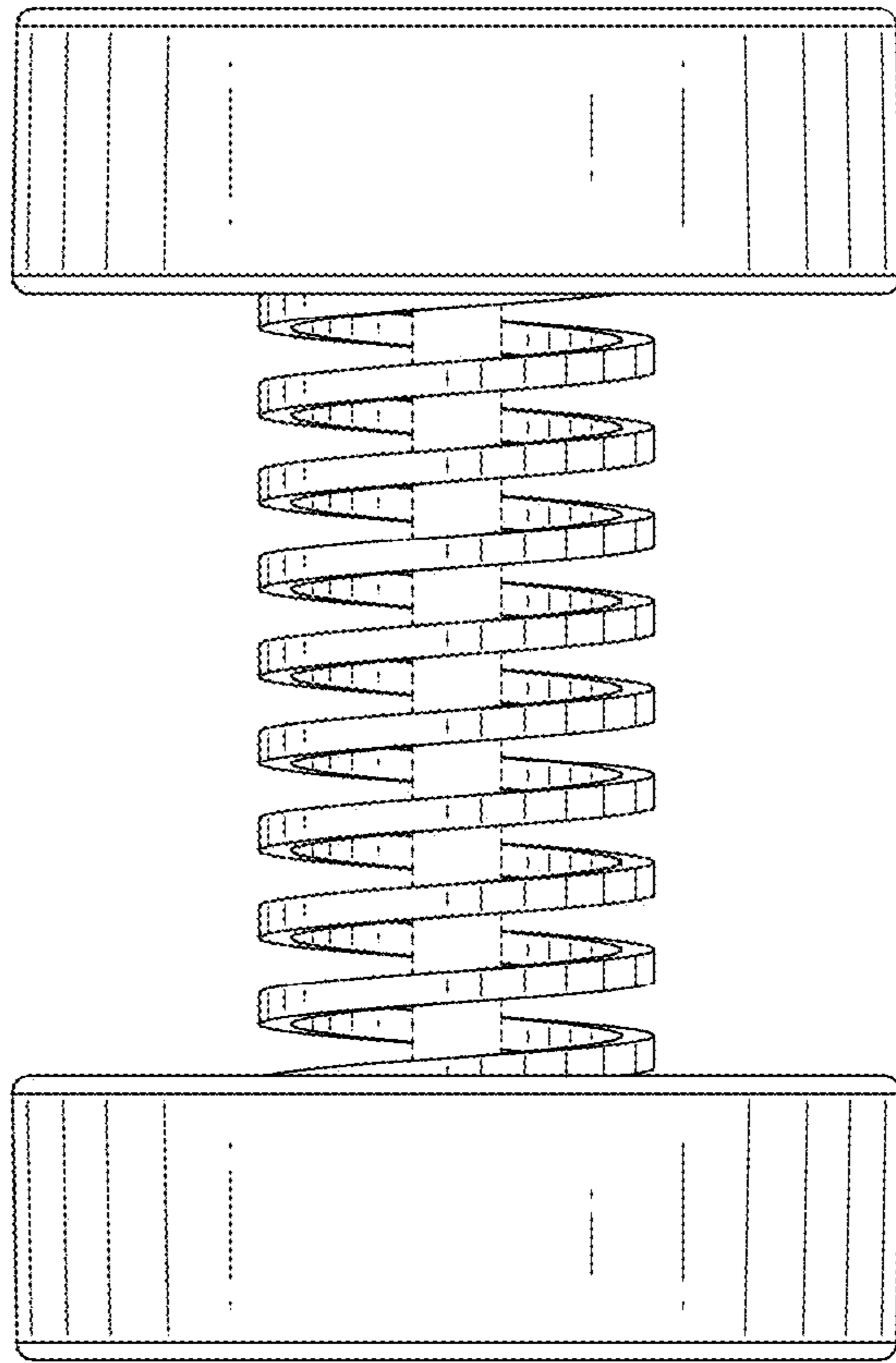


FIG. 3

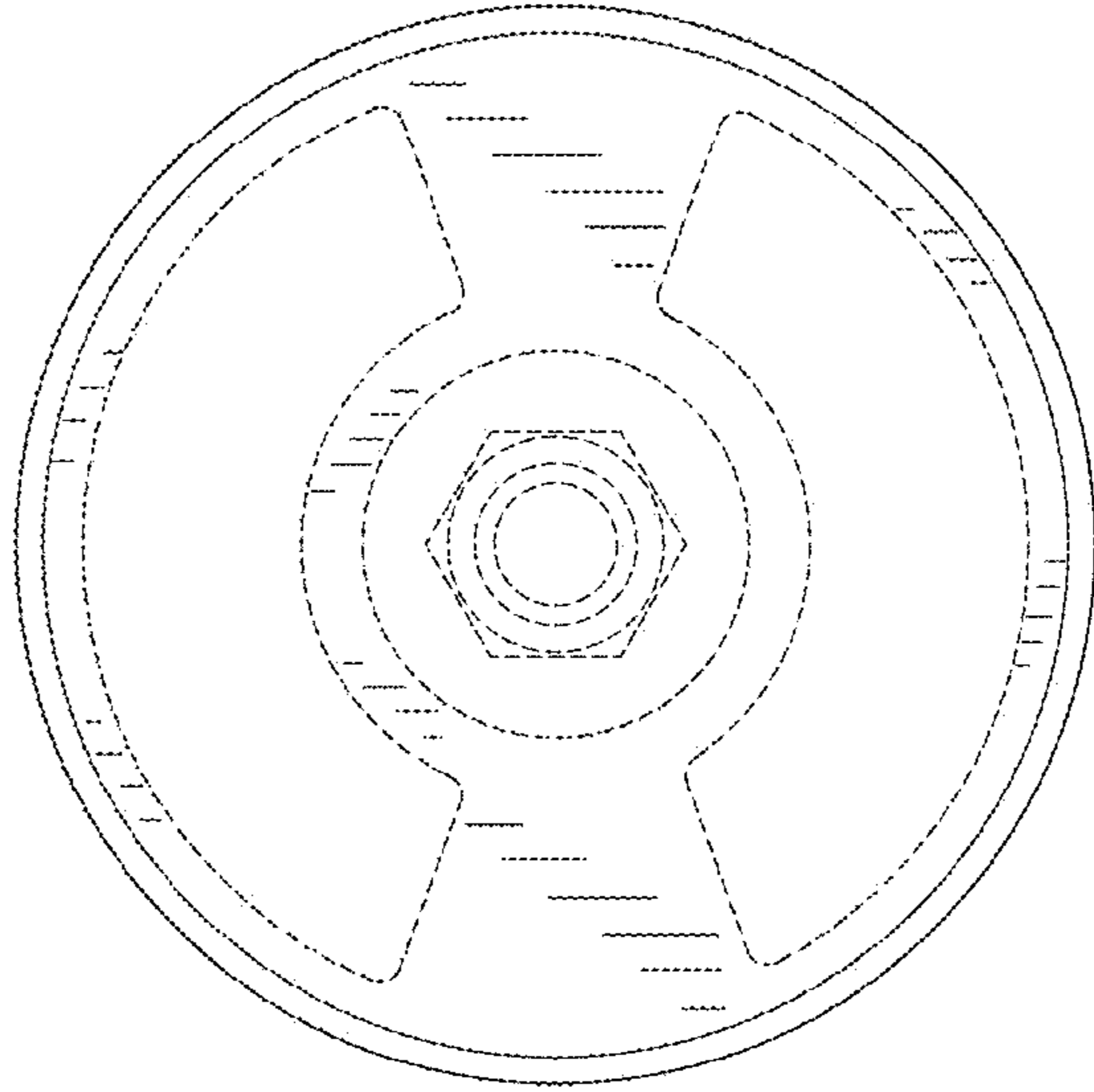


FIG. 5

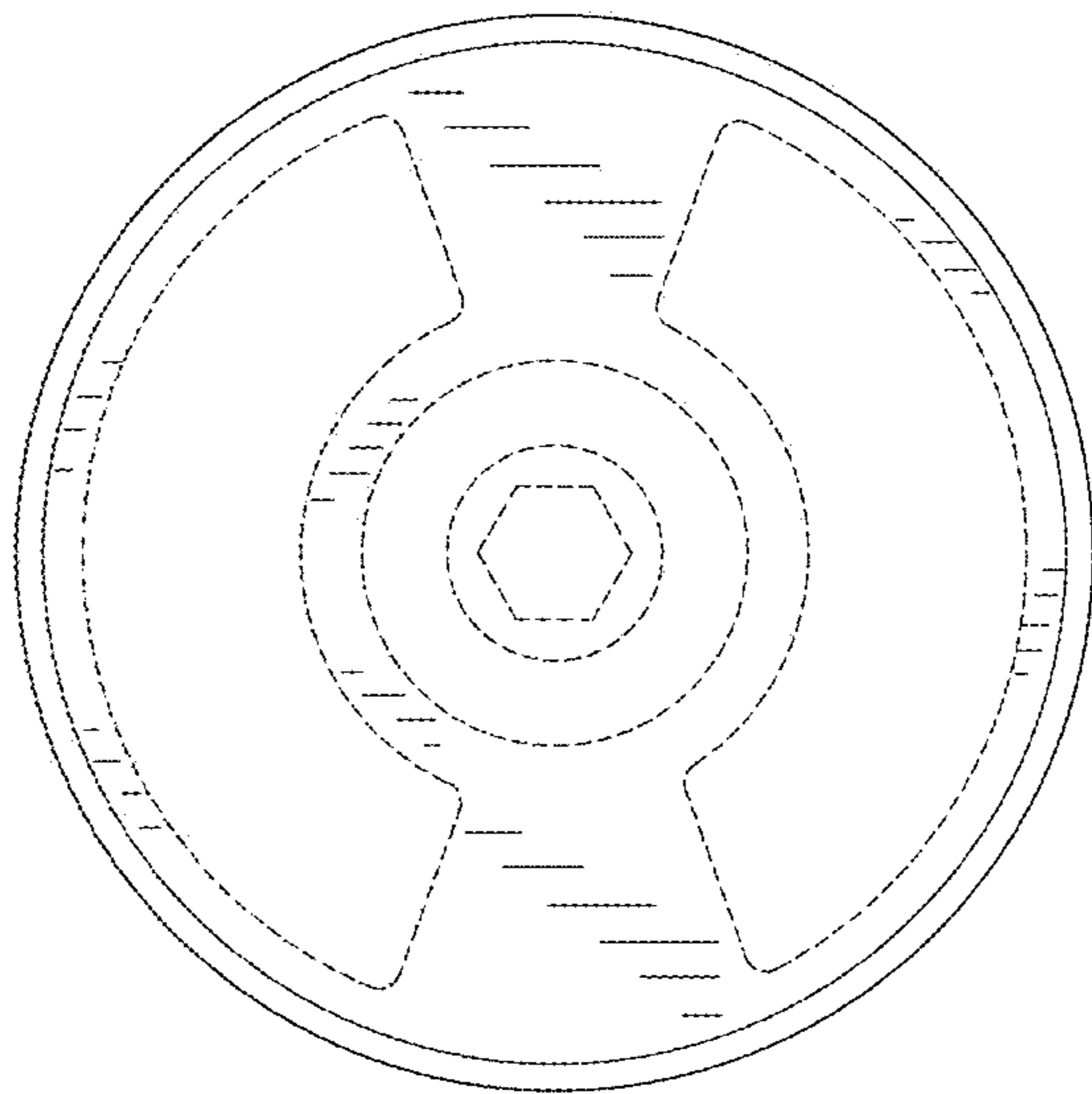


FIG. 4

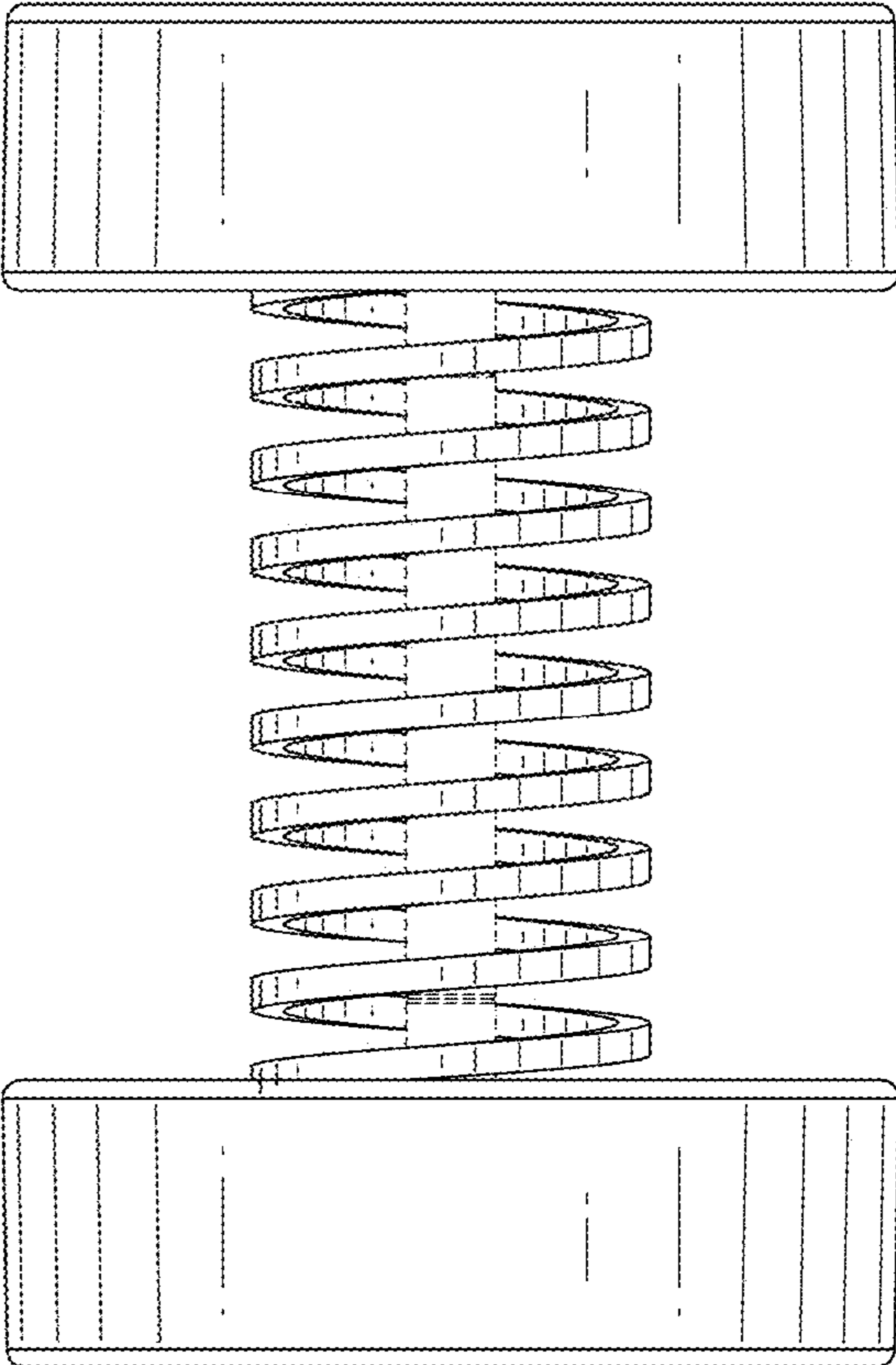


FIG. 6

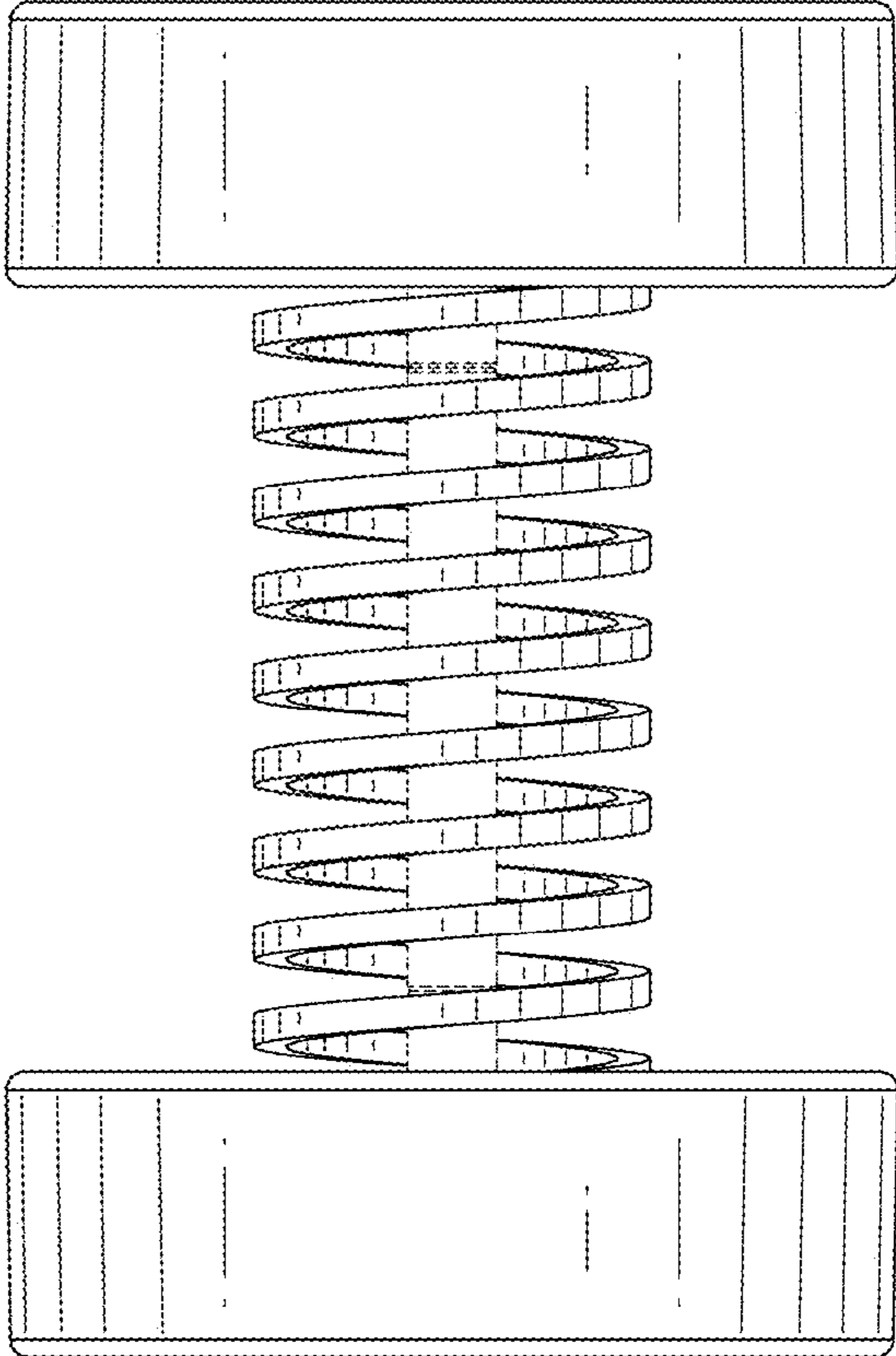


FIG. 7

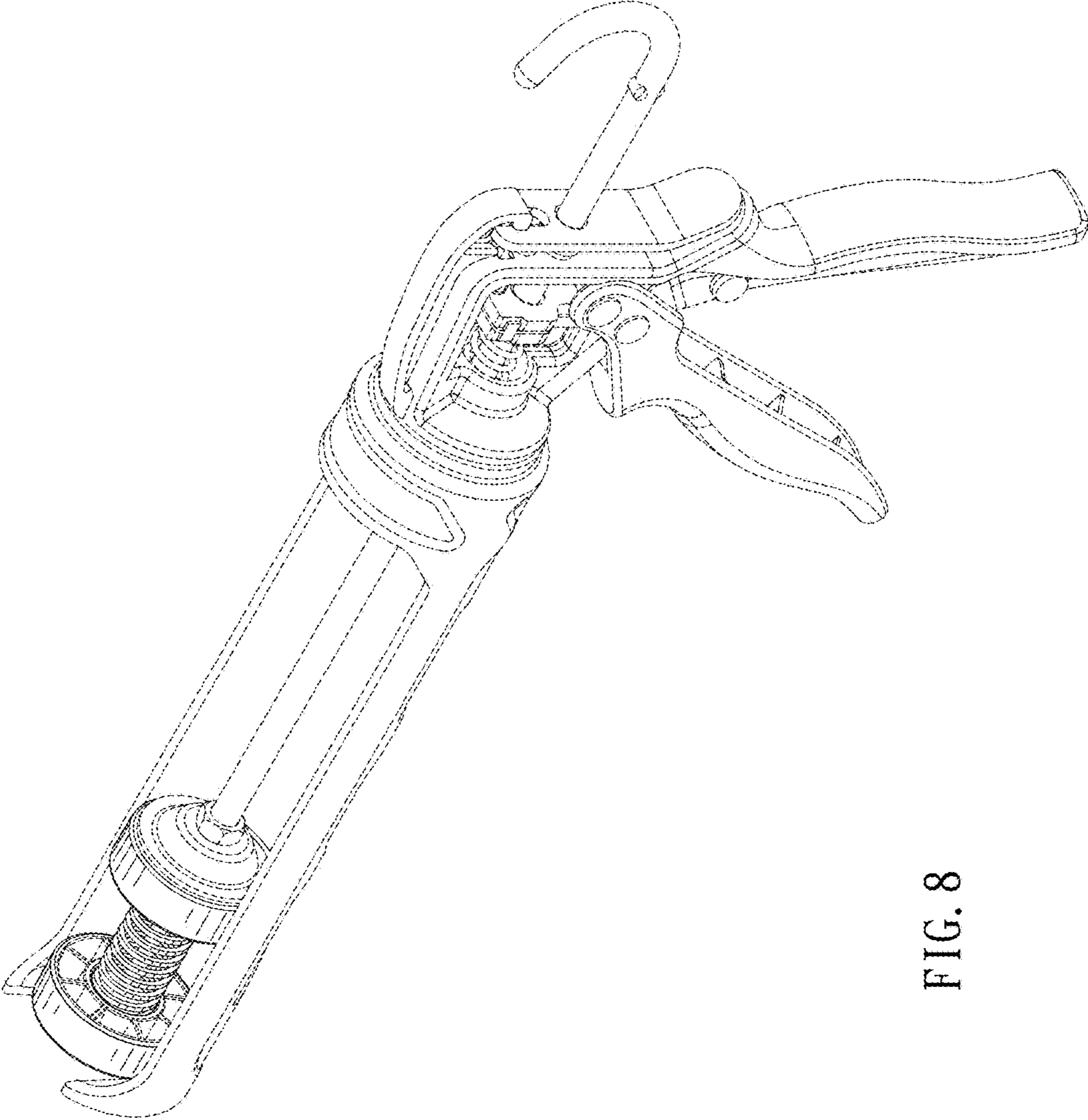


FIG. 8