



US00D863001S

(12) **United States Design Patent**  
**Johansson et al.**

(10) **Patent No.:** **US D863,001 S**

(45) **Date of Patent:** **\*\* Oct. 15, 2019**

(54) **HUB OR BEARING PULLER**  
(71) Applicant: **Wallmek i Kungälv AB**, Kungälv (SE)  
(72) Inventors: **Sten Johansson**, Lycke (SE); **Niklas Wallman**, Kungälv (SE)  
(73) Assignee: **WALLMEK I KUNGÄLV AB**, Kungälv (SE)  
(\*\*) Term: **15 Years**

5,349,736 A \* 9/1994 Rubino ..... B25B 27/023  
29/259  
6,012,211 A \* 1/2000 Ochoa ..... B25B 27/02  
29/244  
6,305,061 B1 \* 10/2001 King ..... B25B 27/023  
29/259  
6,665,918 B1 \* 12/2003 Williams ..... B25B 27/023  
29/252  
7,770,277 B2 \* 8/2010 Wridt ..... B25B 27/023  
29/255  
D662,797 S \* 7/2012 Noyes ..... D8/14  
(Continued)

(21) Appl. No.: **29/601,197**

(22) Filed: **Apr. 20, 2017**

(30) **Foreign Application Priority Data**

Oct. 27, 2016 (EM) ..... 003436518-0001  
Oct. 27, 2016 (EM) ..... 003436518-0002

(51) **LOC (12) Cl.** ..... **08-05**

(52) **U.S. Cl.**  
USPC ..... **D8/14**

(58) **Field of Classification Search**  
USPC ..... D8/14, 51  
CPC ..... B25B 27/02; B25B 27/023; B25B 27/062;  
Y10T 29/53861; Y10T 29/53857; Y10T  
29/53848

See application file for complete search history.

(56) **References Cited**

**U.S. PATENT DOCUMENTS**

3,689,978 A \* 9/1972 Kelso ..... B25B 27/023  
29/259  
4,771,528 A \* 9/1988 Stromberg ..... B25B 27/023  
29/259  
4,908,925 A \* 3/1990 Johnson ..... B25B 27/023  
29/244  
4,965,921 A \* 10/1990 Priest ..... B25B 27/02  
29/244  
4,989,312 A \* 2/1991 Maddalena ..... B25B 27/023  
29/259

**OTHER PUBLICATIONS**

MAC Tools Website, Front Hub Puller, PP7208B; Retrieved from:  
<https://www.mactools.com/en-us/Specialty-Tools/Pullers-and-Slide-Hammers/PP7208B/Front-Hub-Puller> [Retrieved on Oct. 8, 2018].

*Primary Examiner* — Philip S Hyder  
(74) *Attorney, Agent, or Firm* — Buchanan Ingersoll & Rooney P.C.

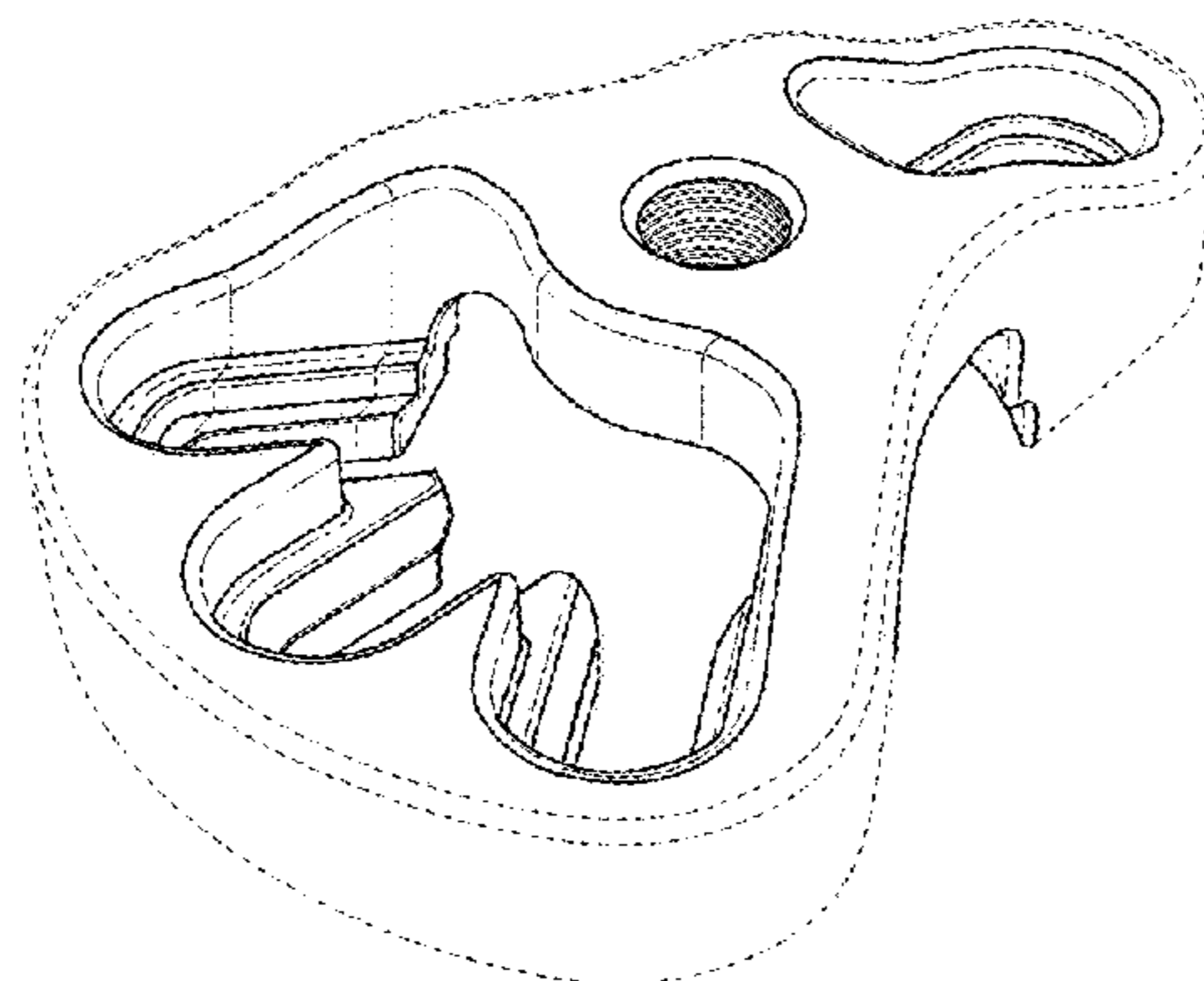
(57) **CLAIM**

The ornamental design for a hub or bearing puller, as shown and described.

**DESCRIPTION**

FIG. 1 is a top perspective view of a hub or bearing puller showing our new design;  
FIG. 2 is a bottom perspective view thereof;  
FIG. 3 is a top plan view thereof;  
FIG. 4 is a front elevational view thereof;  
FIG. 5 is a left side elevational view thereof;  
The right side view, is a mirror image of the left side view.  
FIG. 6 is a bottom plan view thereof; and,  
FIG. 7 is a rear elevational view thereof.  
The parts shown with broken line disclosure is understood to be of illustrative purpose only and form no part of the claimed design.

**1 Claim, 3 Drawing Sheets**



(56)

**References Cited**

U.S. PATENT DOCUMENTS

8,739,377 B2 \* 6/2014 Shen ..... B25B 27/0028  
29/260  
8,931,156 B1 \* 1/2015 Zimmer ..... B25B 27/023  
29/256

\* cited by examiner

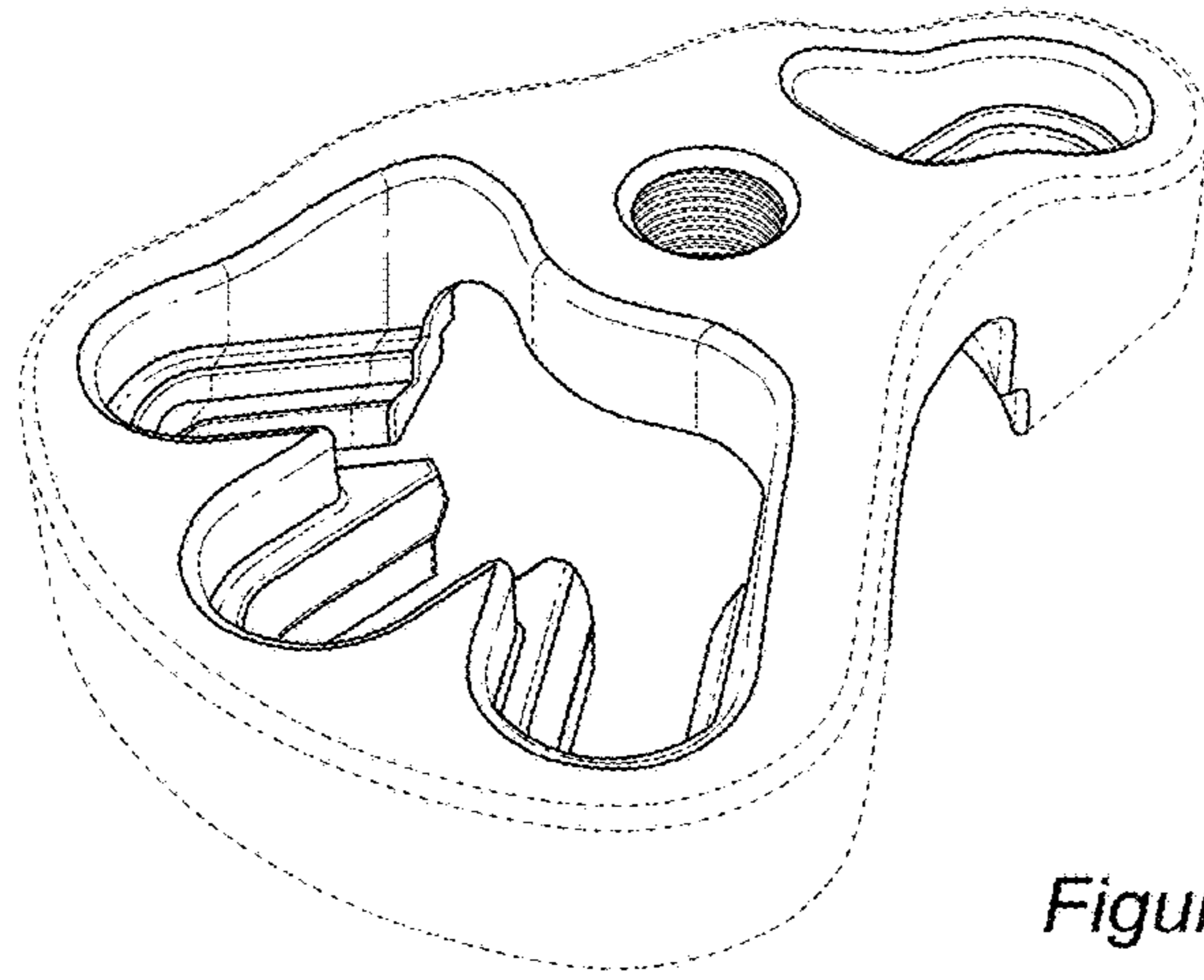


Figure 1

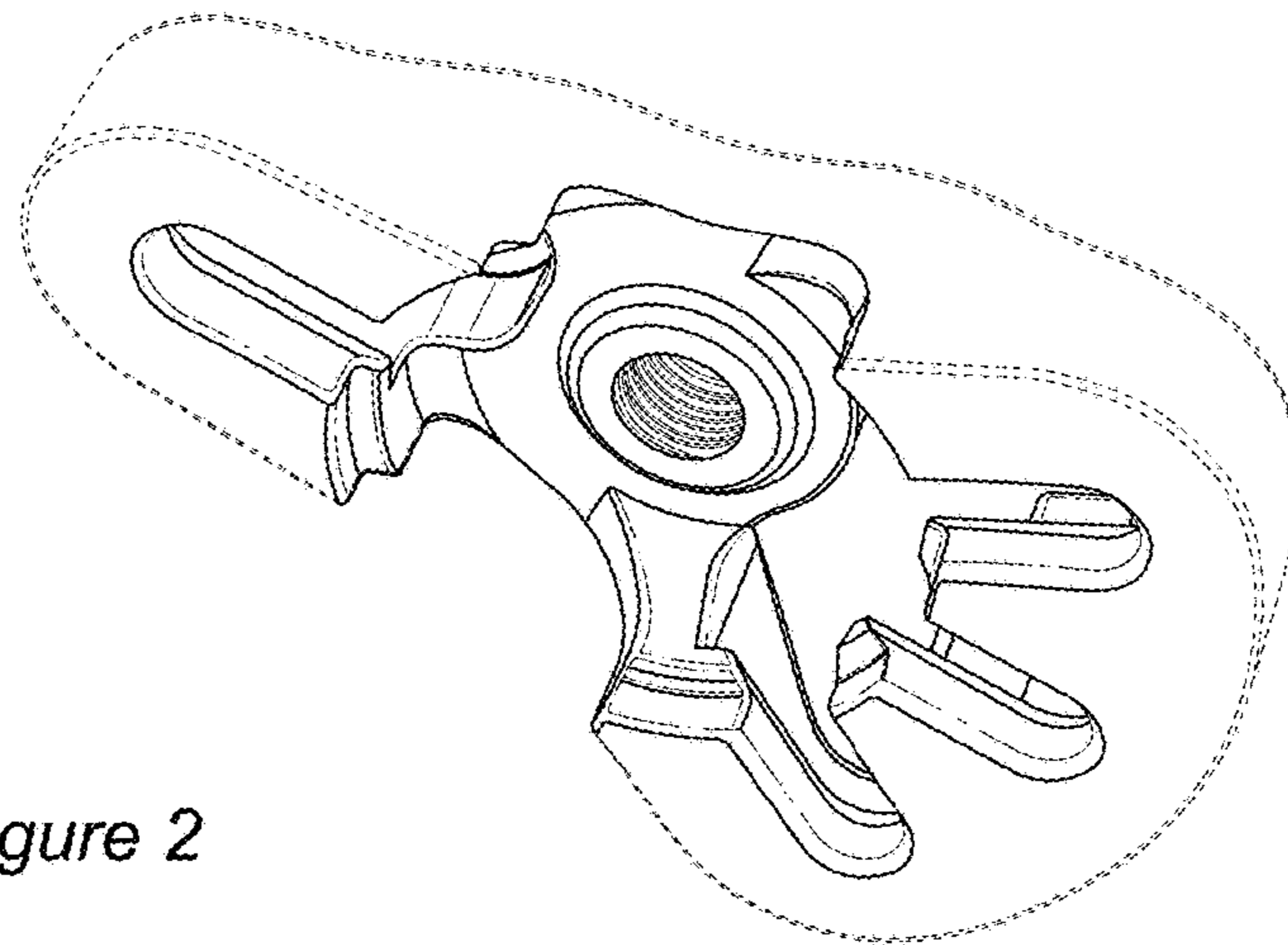


Figure 2

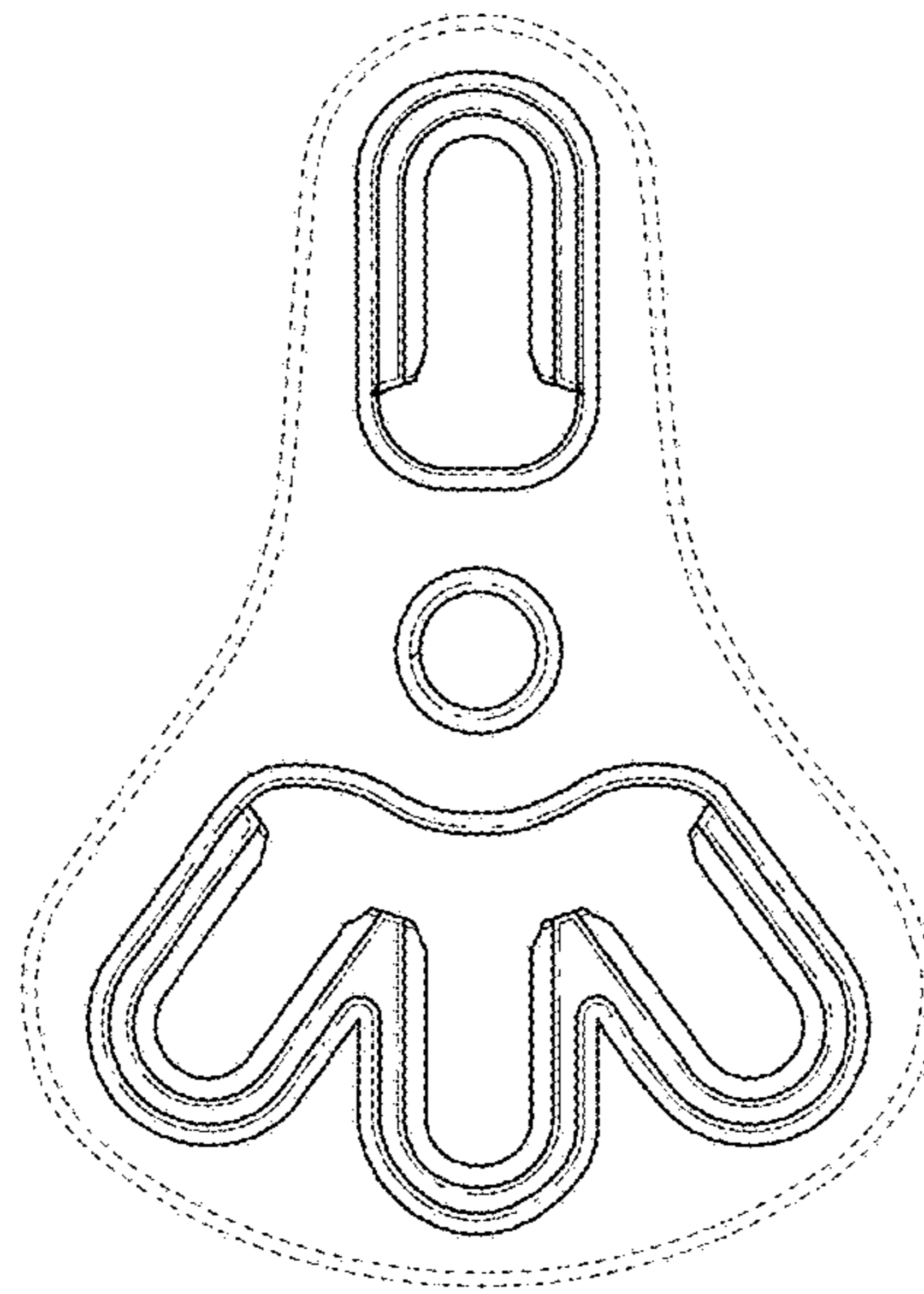


Figure 3

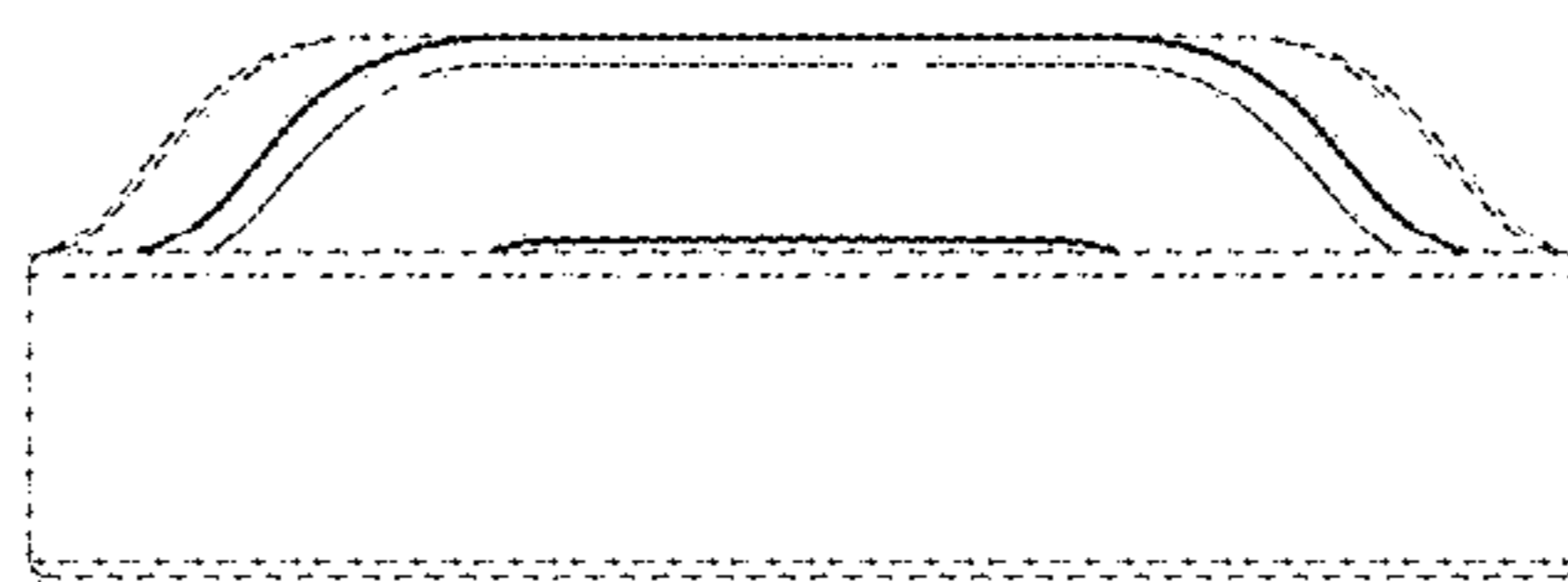


Figure 4

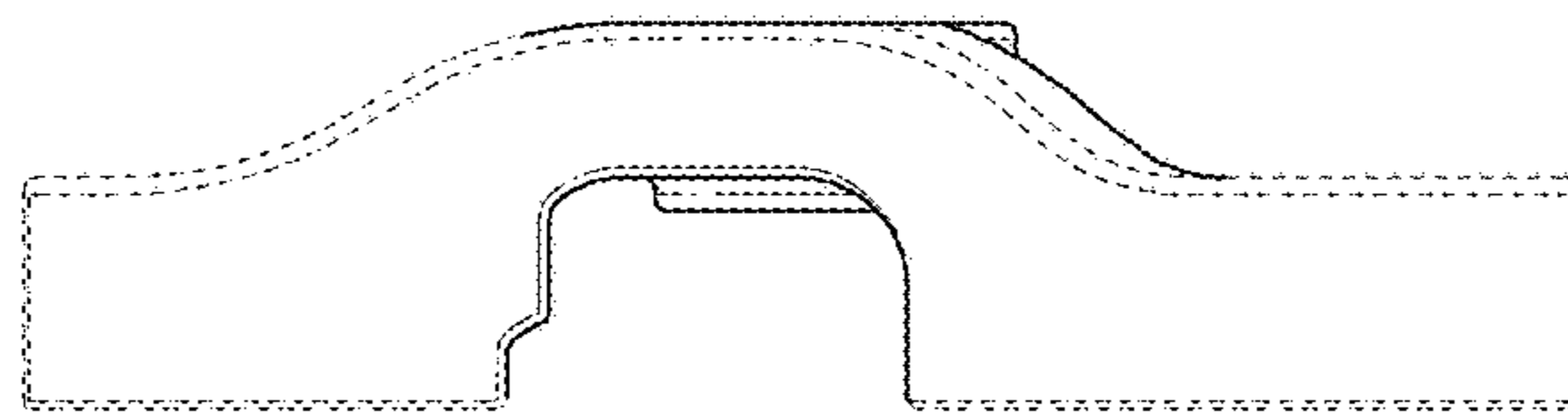


Figure 5

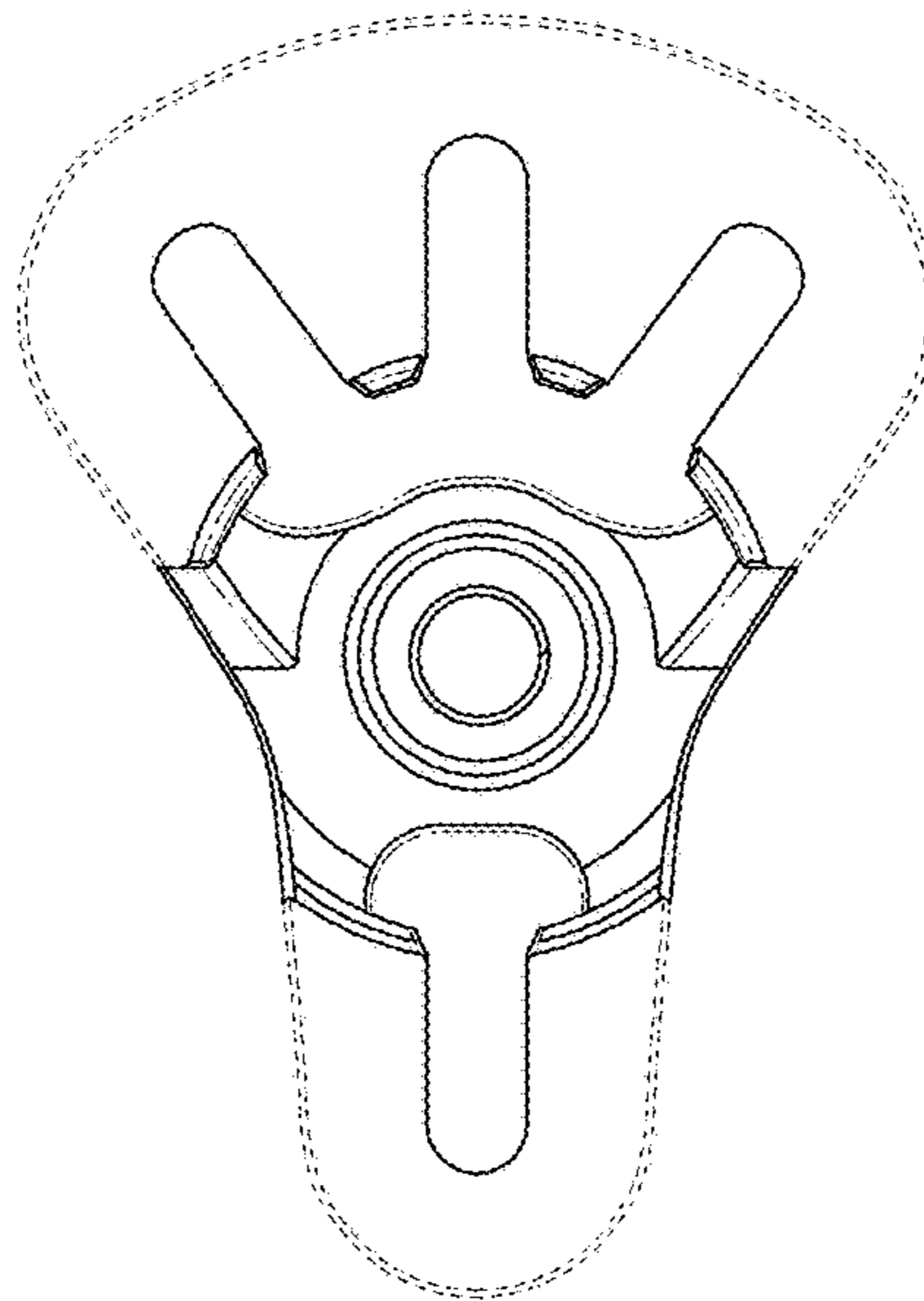


Figure 6

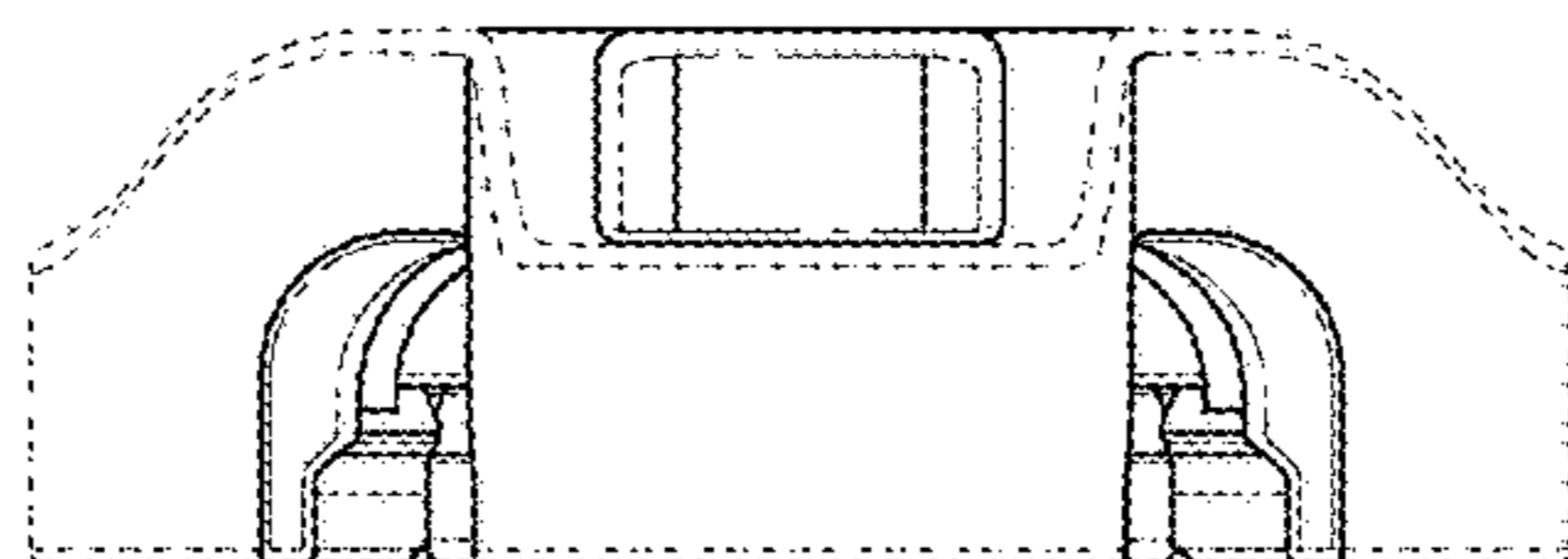


Figure 7