

US00D863000S

(12) **United States Design Patent**  
**Shull**

(10) **Patent No.:** **US D863,000 S**

(45) **Date of Patent:** **\*\* Oct. 15, 2019**

- (54) **SHOVEL WITH INVERTED TIP**
- (71) Applicant: **Timothy Shull**, Lakeway, TX (US)
- (72) Inventor: **Timothy Shull**, Lakeway, TX (US)
- (\*\*) Term: **15 Years**
- (21) Appl. No.: **29/610,363**
- (22) Filed: **Jul. 12, 2017**
- (51) **LOC (12) Cl.** ..... **08-01**
- (52) **U.S. Cl.**  
USPC ..... **D8/1**
- (58) **Field of Classification Search**  
USPC ..... D8/1, 10, 9; D30/162; D21/532  
CPC .... E01H 5/02; A01B 1/02; A01B 1/04; A01B  
1/08; A01B 1/22; A01B 1/026; A01B  
1/222; A46B 15/0055  
See application file for complete search history.

(56) **References Cited**

**U.S. PATENT DOCUMENTS**

- 1,687,986 A \* 10/1928 Miller ..... A01B 1/08  
172/381
- D102,957 S \* 1/1937 Renner ..... D8/10
- 3,020,077 A \* 2/1962 Rokos ..... A01B 1/04  
172/380
- D319,952 S \* 9/1991 Harvey, Sr. .... D8/10
- D407,955 S \* 4/1999 Bierman ..... D8/10
- D492,885 S \* 7/2004 Whitlock ..... D8/10

- D495,568 S \* 9/2004 Register ..... D8/10
- D596,470 S \* 7/2009 Greenly ..... D8/10
- D653,510 S \* 2/2012 Huff ..... D8/10
- D699,086 S \* 2/2014 Christopher ..... D8/10
- D699,528 S \* 2/2014 Randolph ..... D8/10
- D699,529 S \* 2/2014 Randolph ..... D8/10
- D712,219 S \* 9/2014 Randolph ..... D8/10
- D716,117 S \* 10/2014 Nicholson ..... D8/10
- D756,727 S \* 5/2016 Cosyleon ..... D8/10
- D760,563 S \* 7/2016 Randolph ..... D8/10
- D773,261 S \* 12/2016 Ward ..... D8/10
- D810,527 S \* 2/2018 Baker ..... D8/10

\* cited by examiner

*Primary Examiner* — Sheryl Lane

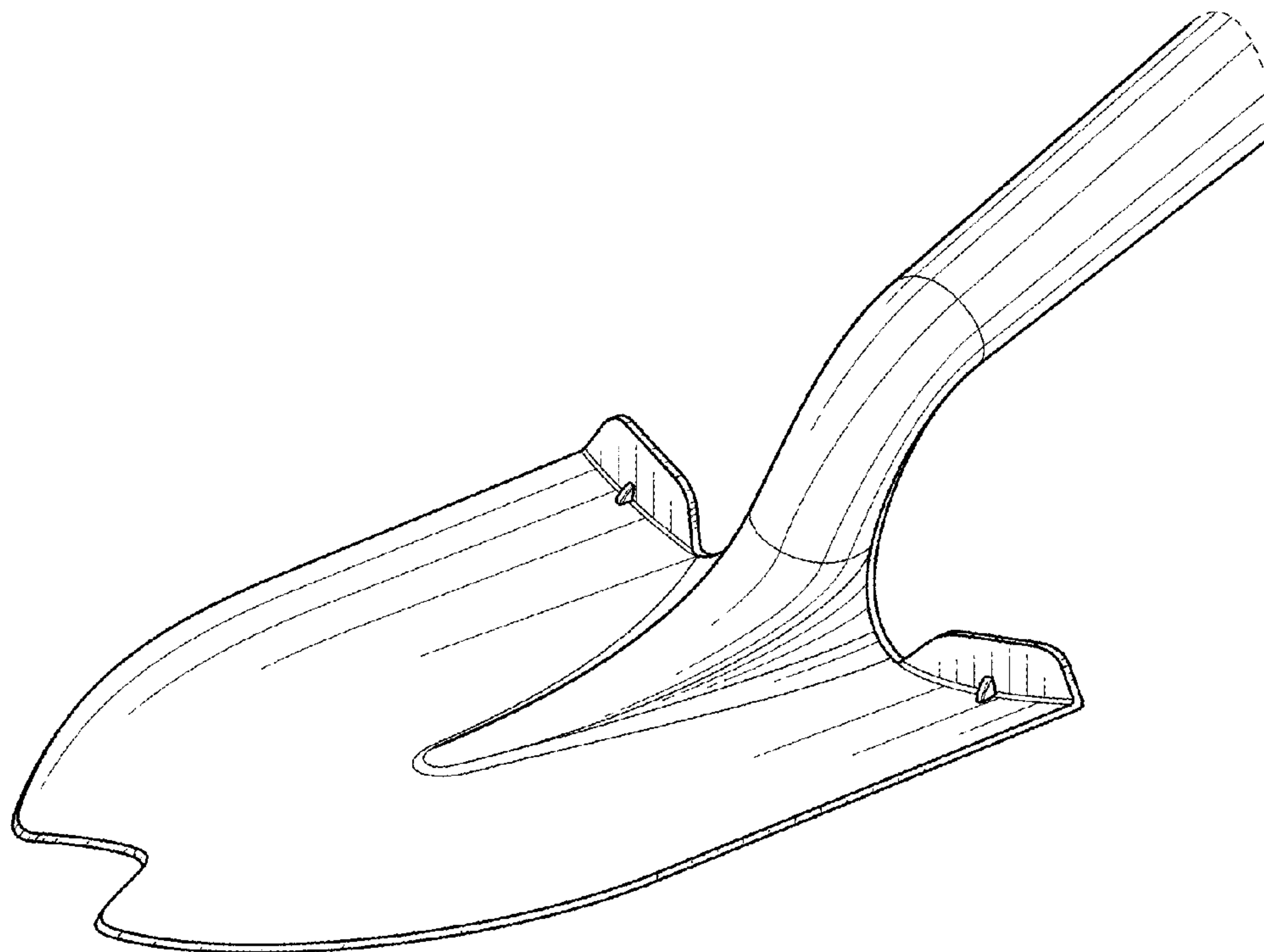
(57) **CLAIM**

The ornamental design of a shovel with an inverted tip, substantially as shown and described.

**DESCRIPTION**

FIG. 1 is a front perspective view of a shovel with an inverted tip in accordance with the present invention;  
 FIG. 2 is a front view thereof;  
 FIG. 3 is a rear view thereof;  
 FIG. 4 is a first side view thereof;  
 FIG. 5 is a second side view thereof;  
 FIG. 6 is a top view thereof; and,  
 FIG. 7 is a bottom view thereof.  
 The broken lines represent the boundaries of the claim and form no part of the claimed design.

**1 Claim, 5 Drawing Sheets**



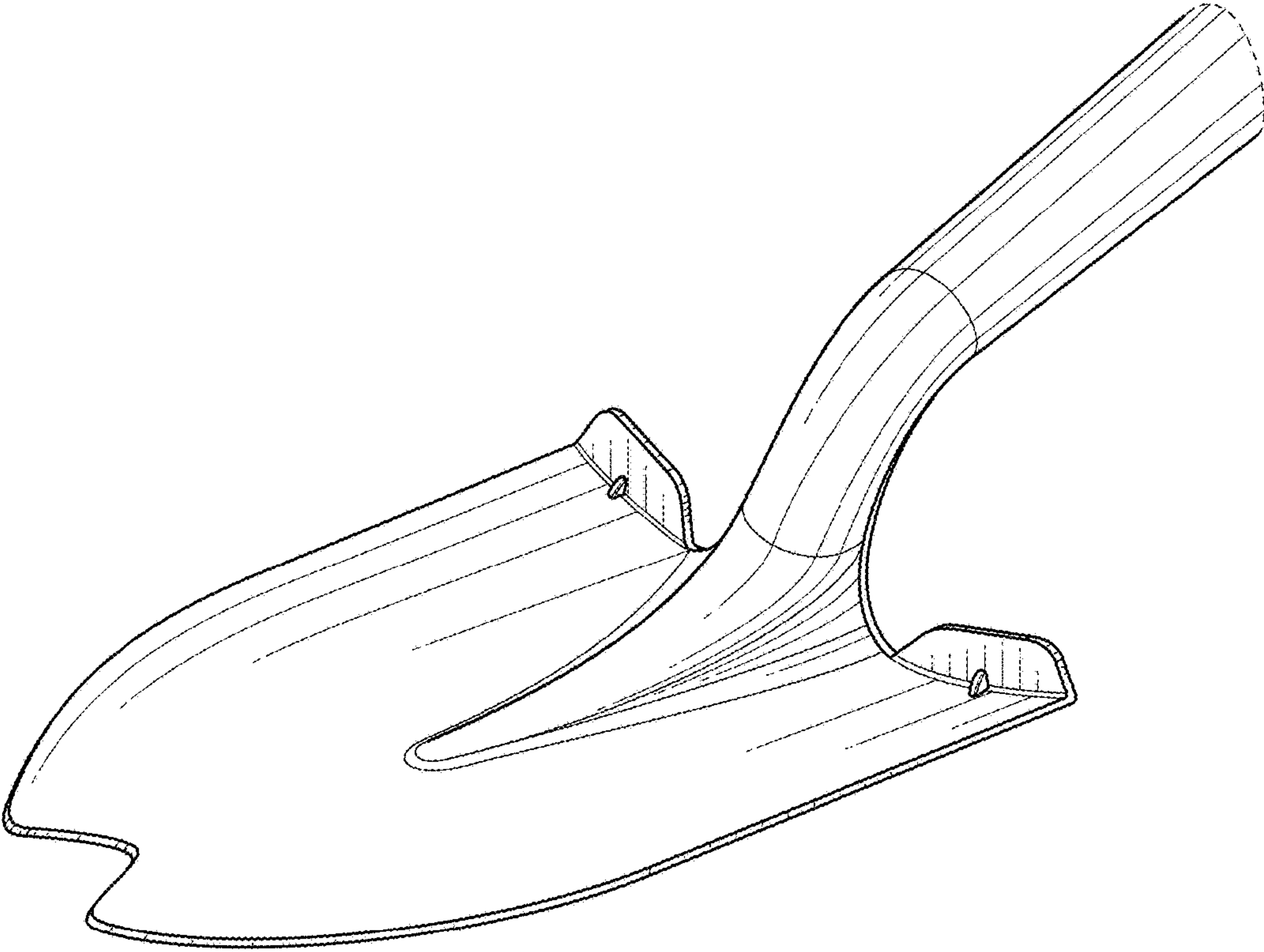


FIG. 1

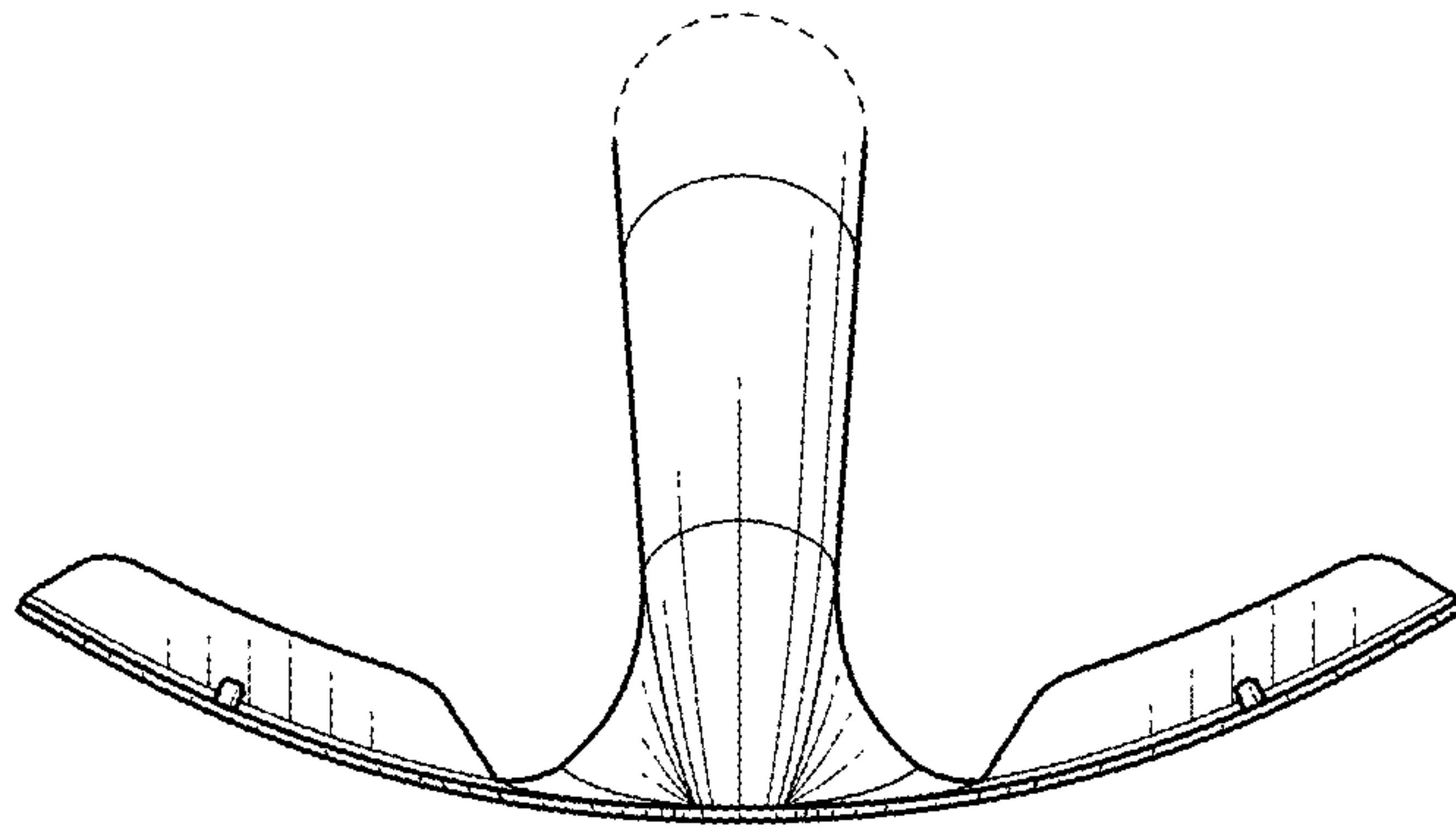


FIG. 2

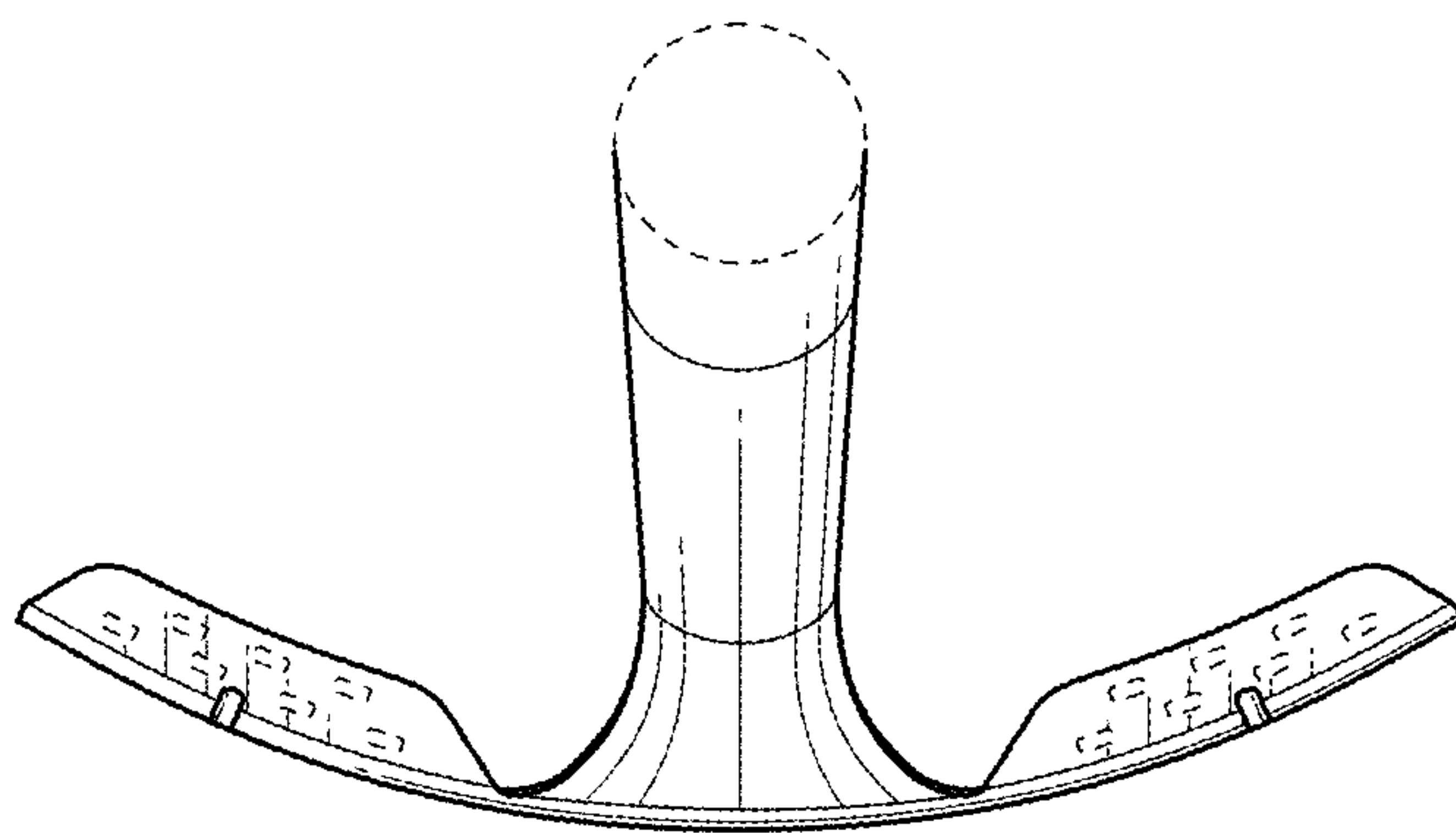


FIG. 3

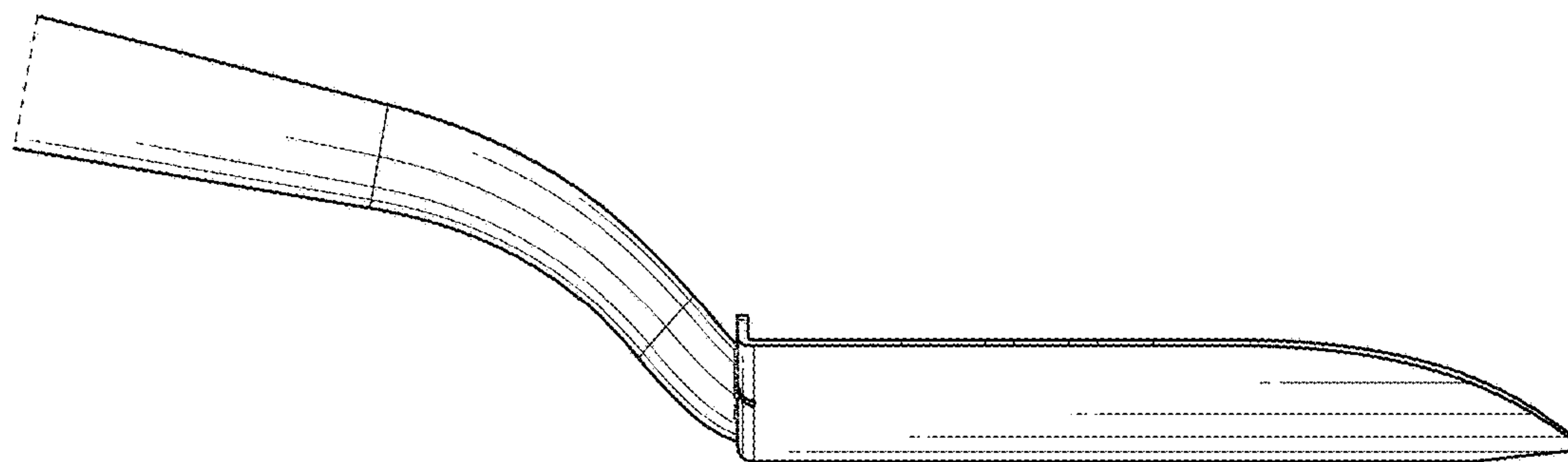


FIG. 4

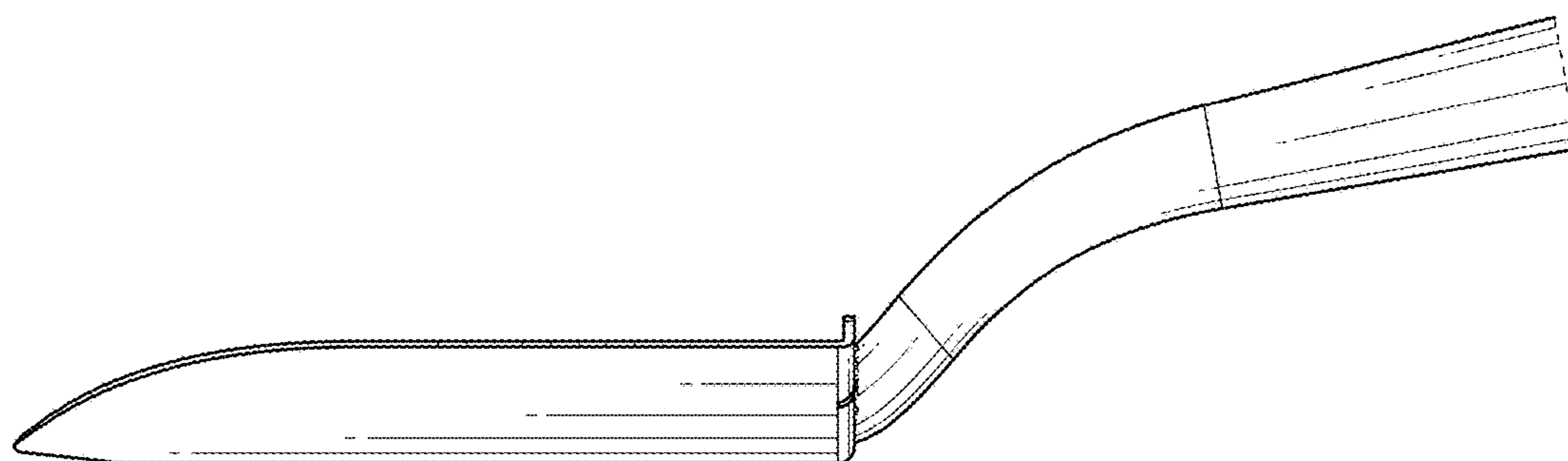


FIG. 5

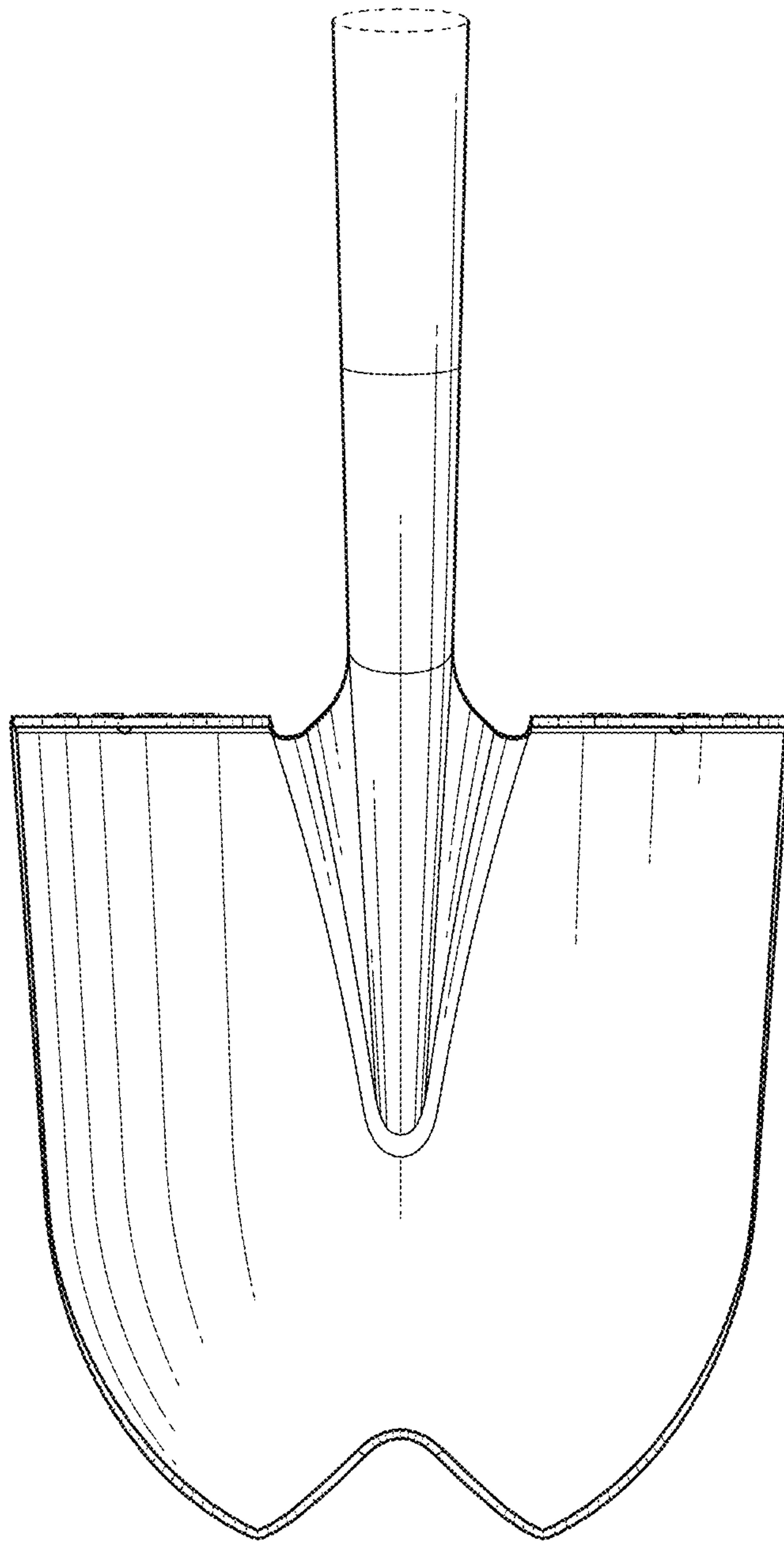


FIG. 6

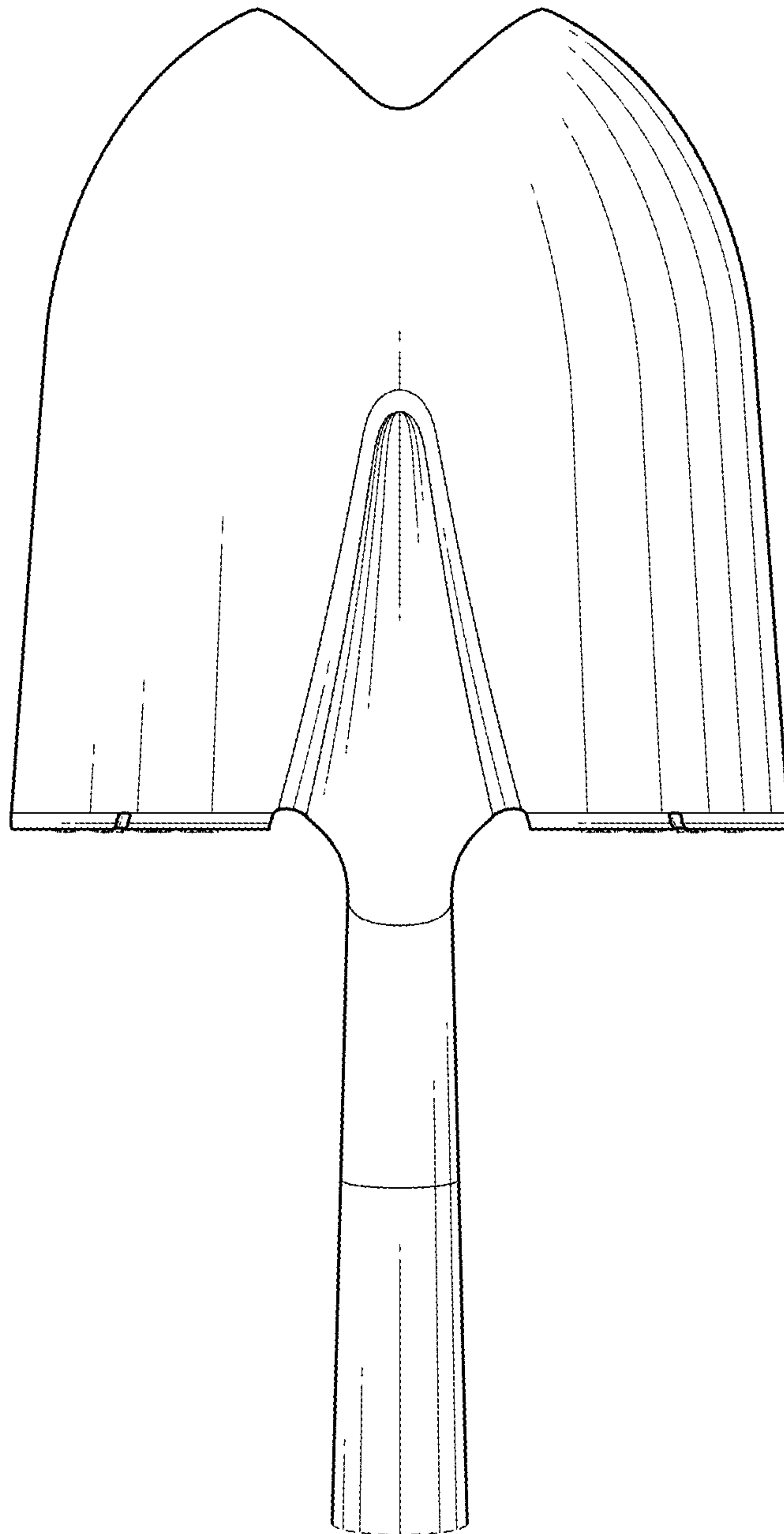


FIG. 7