



US00D862999S

(12) **United States Design Patent** (10) **Patent No.:** **US D862,999 S**
Riedel et al. (45) **Date of Patent:** **** Oct. 15, 2019**

(54) **SCOOP**

(71) Applicant: **TARGET BRANDS, INC.**,
Minneapolis, MN (US)
(72) Inventors: **Richard P. Riedel**, Blaine, MN (US);
Terrence J. Hornsby, Jr., Minneapolis,
MN (US); **Michael M. Habig**,
Cincinnati, OH (US)
(73) Assignee: **TARGET BRANDS, INC.**,
Minneapolis, MN (US)

(**) Term: **15 Years**

(21) Appl. No.: **29/637,481**

(22) Filed: **Feb. 19, 2018**

(51) **LOC (12) Cl.** **07-02**

(52) **U.S. Cl.**

USPC **D7/691**

(58) **Field of Classification Search**

USPC D7/680–696, 368, 669, 393, 395,
D7/642–664; D10/46.2, 46.3

CPC A47F 13/08; B65D 61/246; A47J 43/28;
A47J 43/281; A61J 7/0023; A47G 21/04;
A47G 21/02; G01F 19/002; G01F 19/00

See application file for complete search history.

(56) **References Cited**

U.S. PATENT DOCUMENTS

1,768,771 A 7/1930 Tourette
3,001,404 A 9/1961 McDonnell, Jr. et al.
D239,907 S 5/1976 Olsson
D254,832 S 4/1980 Zappa
D260,722 S 9/1981 Bateman
D283,062 S 3/1986 Lordi
D293,996 S 2/1988 Bovet
D294,101 S 2/1988 Steinko

(Continued)

FOREIGN PATENT DOCUMENTS

EP 2315705 B1 6/2013
WO 2015106087 A1 7/2015

OTHER PUBLICATIONS

“SALT™ Ice Cream Scoop in Black”, printed from www.
bedbathandbeyond.com/store/product/salt-trade-ice-cr...ack/
1046993656?Keyword=salt%20ice%20cream%
20scoop#BVRRWidgetID, publicly available at least as early as
Sep. 12, 2017 (2 pages).

(Continued)

Primary Examiner — Terry A Wallace

(74) *Attorney, Agent, or Firm* — JoAnn M. Seaton;
Griffiths & Seaton PLLC

(57) **CLAIM**

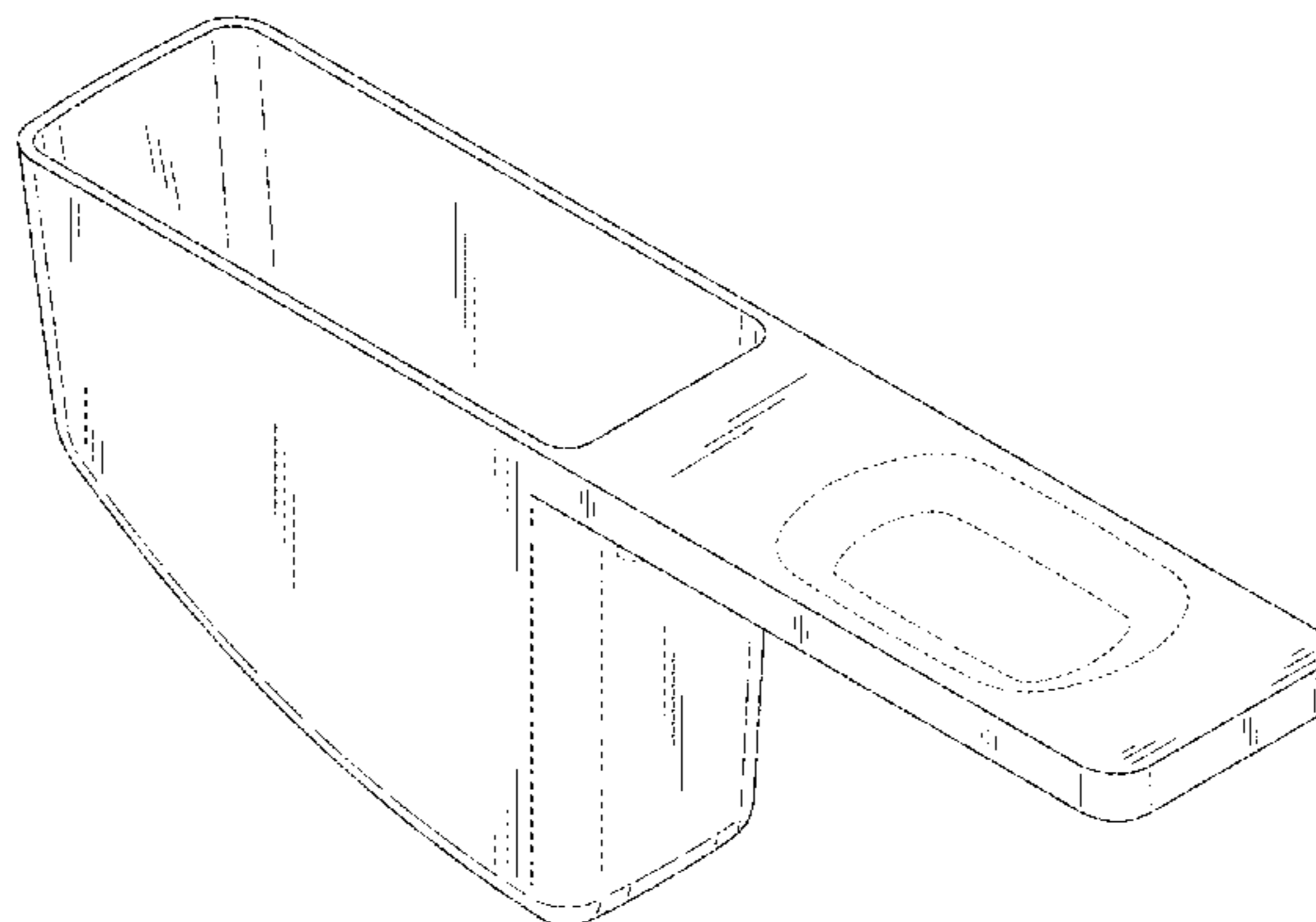
The ornamental design for a scoop, as shown and described.

DESCRIPTION

FIG. 1 is a top perspective view of a scoop showing a first
embodiment of our new design;
FIG. 2 is a front view thereof;
FIG. 3 is a rear view thereof;
FIG. 4 is a right side view thereof;
FIG. 5 is a left side view thereof;
FIG. 6 is a top view thereof; and
FIG. 7 is a bottom view thereof.
FIG. 8 is a top perspective view of a scoop showing a second
embodiment of our new design;
FIG. 9 is a front view thereof;
FIG. 10 is a rear view thereof;
FIG. 11 is a right side view thereof;
FIG. 12 is a left side view thereof;
FIG. 13 is a top view thereof; and,
FIG. 14 is a bottom view thereof.

In the drawings, the broken lines depict unclaimed portions
of the scoop and form no part of the claimed design. The
features shown in long dash-short dash bolded broken lines
indicate the bounds of the claimed design and otherwise
form no part of the claimed design.

1 Claim, 10 Drawing Sheets



(56)

References Cited

U.S. PATENT DOCUMENTS

D294,214 S 2/1988 Smith
 D297,202 S 8/1988 Zumwalt
 D302,920 S * 8/1989 Ancona D10/46.2
 D319,985 S 9/1991 Crawford et al.
 D321,304 S 11/1991 Underwood et al.
 D321,305 S * 11/1991 Underwood D10/46.2
 5,137,316 A 8/1992 Foos
 D330,675 S 11/1992 Braendli
 D330,997 S 11/1992 Spahni, Jr. et al.
 D331,023 S 11/1992 Mulry et al.
 D338,599 S 8/1993 Zogg et al.
 D339,991 S 10/1993 Mulry et al.
 5,347,865 A * 9/1994 Mulry B65D 33/1625
 24/30.5 S
 D352,869 S 11/1994 Lathrop
 5,706,974 A 1/1998 Murdick et al.
 5,775,531 A 7/1998 Lowry
 D403,211 S 12/1998 Weterrings
 5,918,922 A 7/1999 Lathrop et al.
 D412,671 S 8/1999 Conforti
 D416,359 S 11/1999 Schlueter
 D417,629 S 12/1999 Weterrings
 D425,381 S 5/2000 Denham et al.
 D437,793 S 2/2001 Kaposi et al.
 D451,829 S 12/2001 McGuyer
 D460,328 S 7/2002 de Groote et al.
 D478,790 S 8/2003 Schulein
 D483,626 S 12/2003 Jeffries

D486,290 S 2/2004 Moncman
 D506,111 S 6/2005 Handley
 D515,949 S 2/2006 McGuyer
 D519,333 S 4/2006 Stewart
 D531,918 S 11/2006 Heiligenstein et al.
 D567,600 S * 4/2008 Matsumura D10/46.2
 D598,251 S 8/2009 Ikoma et al.
 7,603,740 B2 10/2009 Goldsberry
 D620,769 S 8/2010 Mangin et al.
 8,651,311 B1 2/2014 Drummond et al.
 8,833,584 B2 9/2014 Groubert
 D734,149 S 7/2015 McGrath, Jr. et al.
 9,090,391 B2 7/2015 Horton et al.
 D738,228 S 9/2015 Joshi
 9,365,332 B2 * 6/2016 Jentis B65D 43/169
 D760,556 S 7/2016 Wiggings et al.
 D766,678 S 9/2016 Kestenbaum et al.
 2010/0308065 A1 12/2010 Vandamme et al.
 2013/0001227 A1 1/2013 Groubert
 2014/0151389 A1 6/2014 Melia

OTHER PUBLICATIONS

“OXO Good Grips® Stainless Steel Ice Cream Scoop”, printed from www.bedbathandbeyond.com/store/product/oxo-good-grips-r...oop/1040521299?Keyword=salt%20ice%20cream%20scoop#BVRRWidgetID, publicly available at least as early as Dec. 28, 2015 (2 pages).
 U.S. Appl. No. 29/591,012, filed Jan. 16, 2017 (15 pages).

* cited by examiner

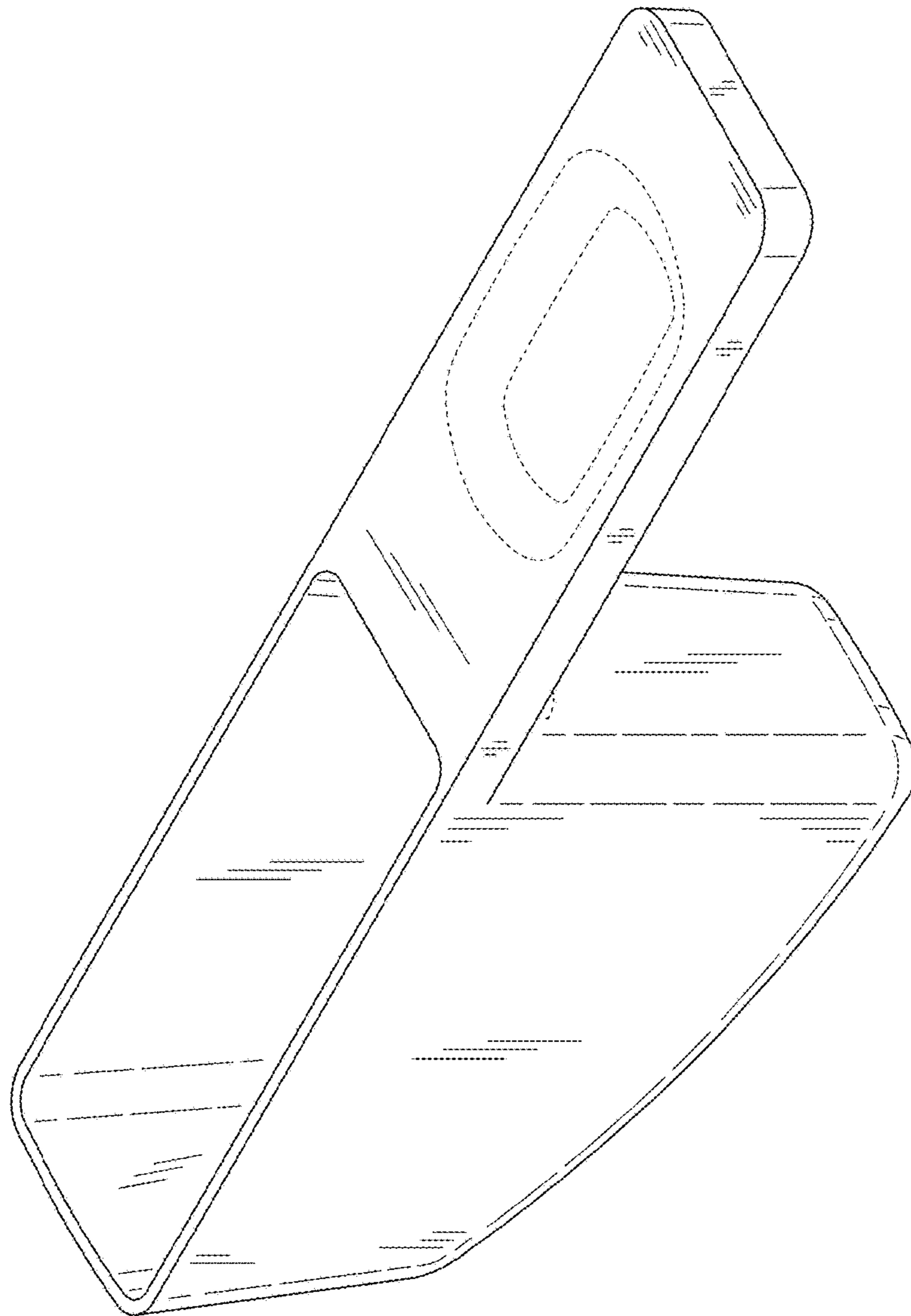


FIG. 1

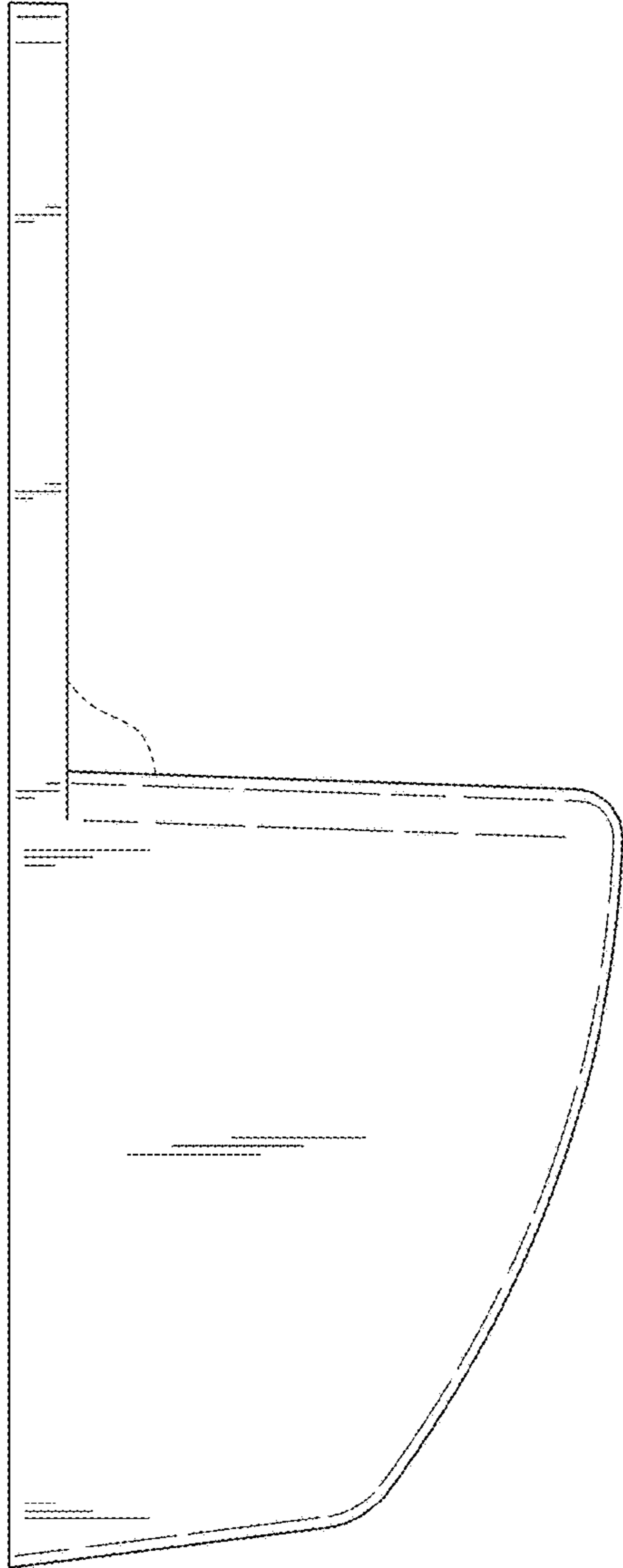


FIG. 2

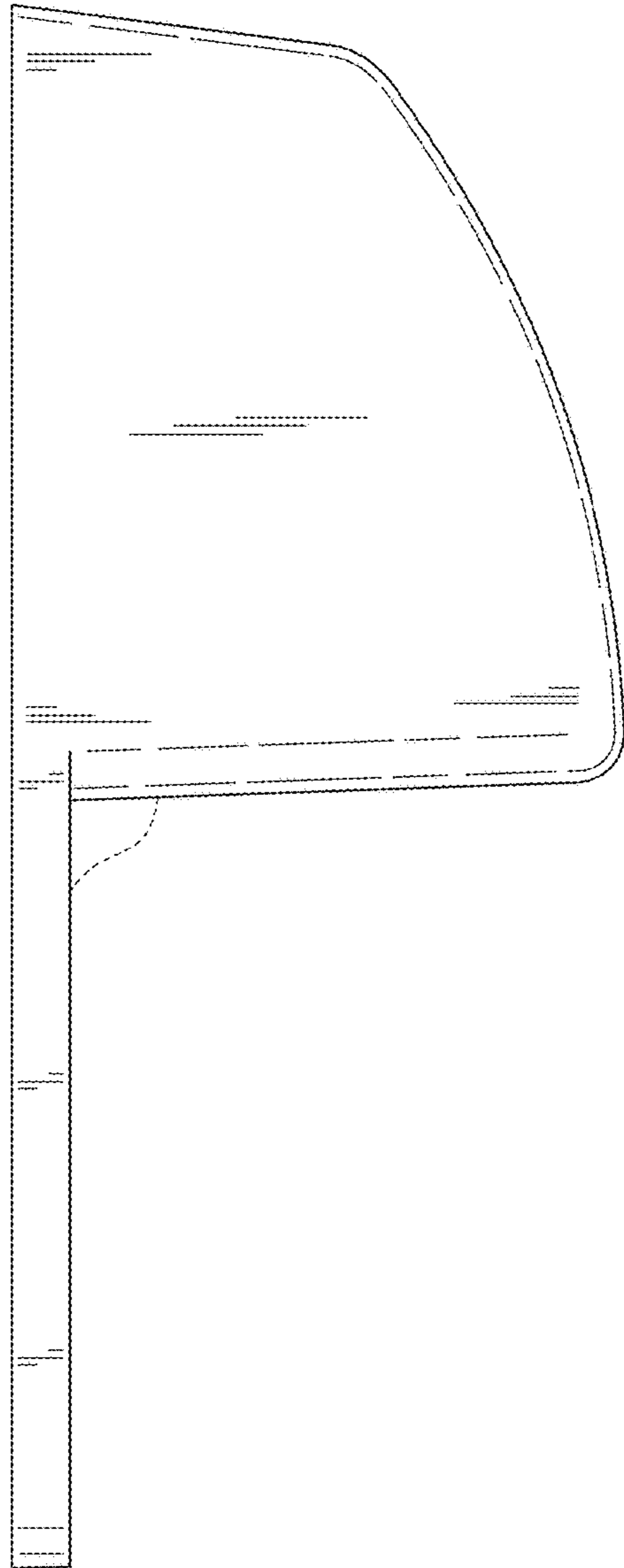


FIG. 3

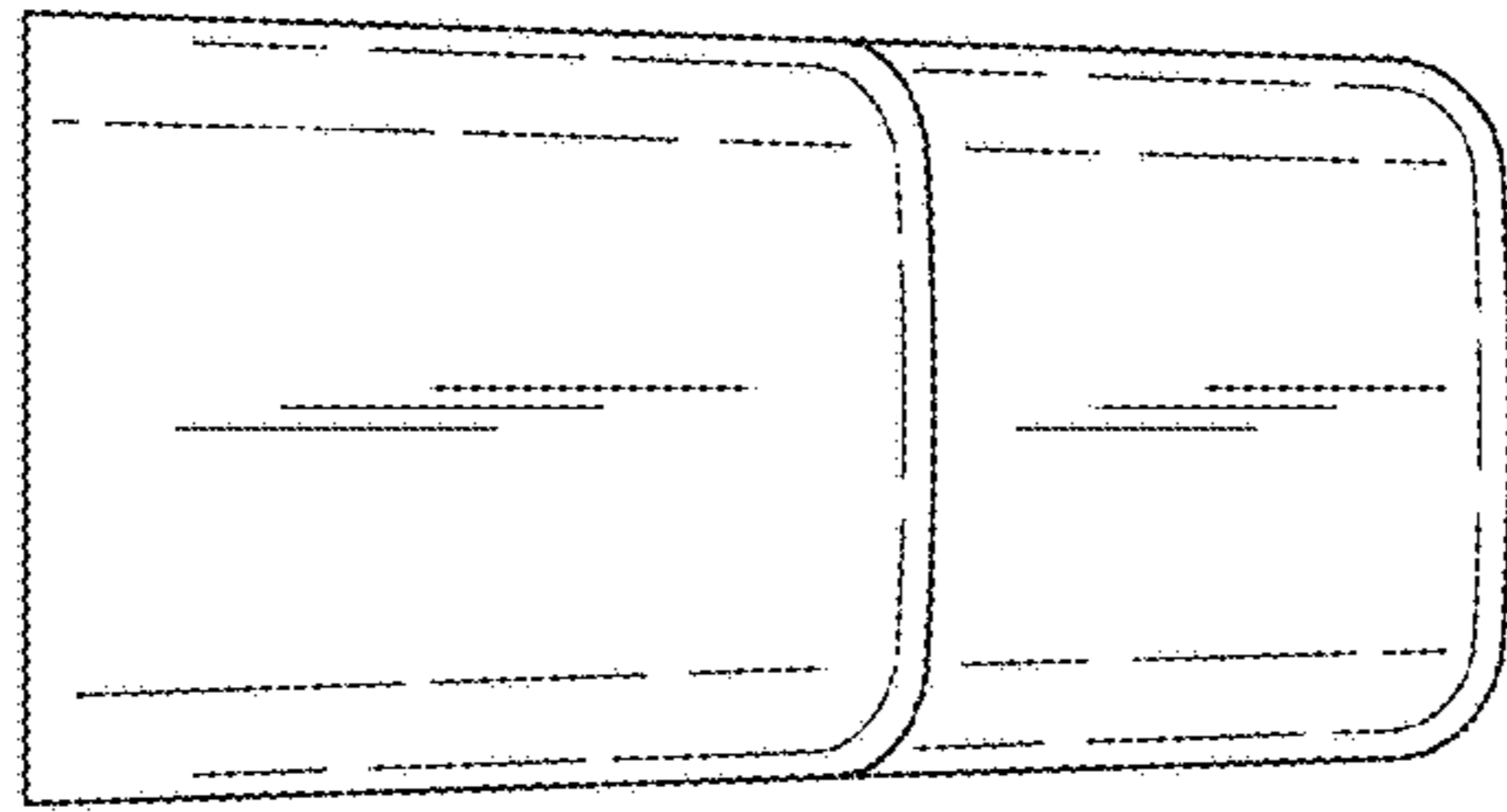


FIG. 5

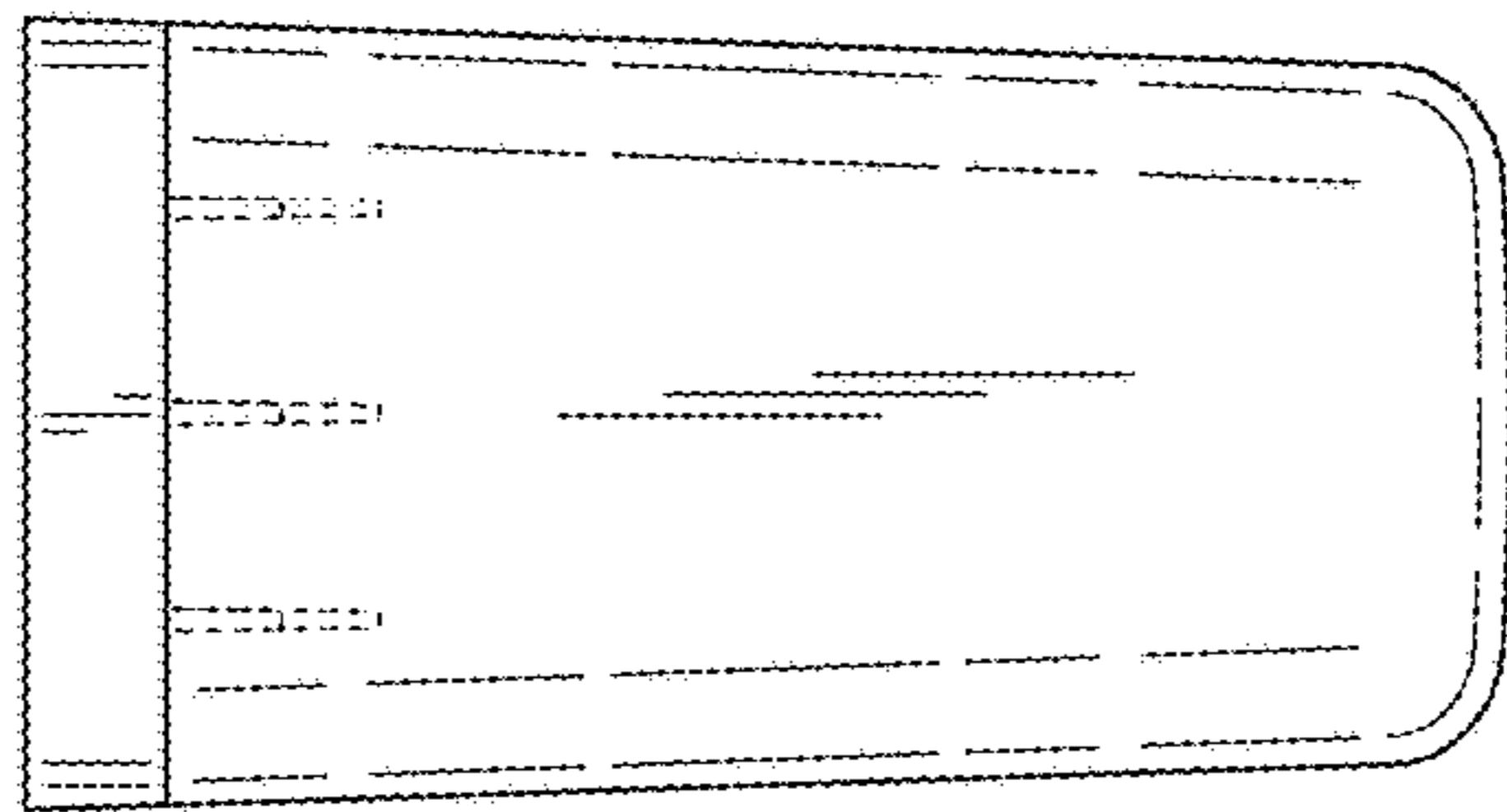


FIG. 4

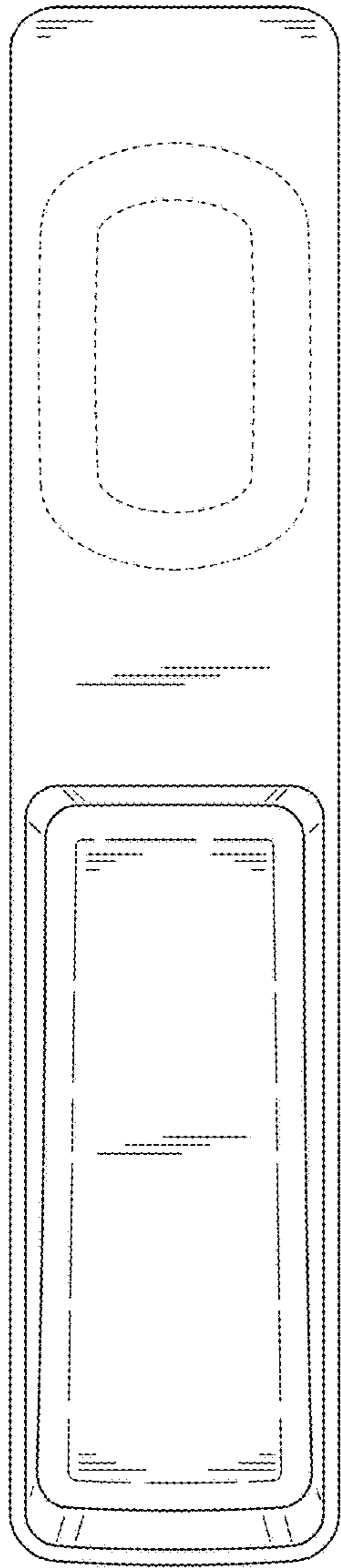


FIG. 6

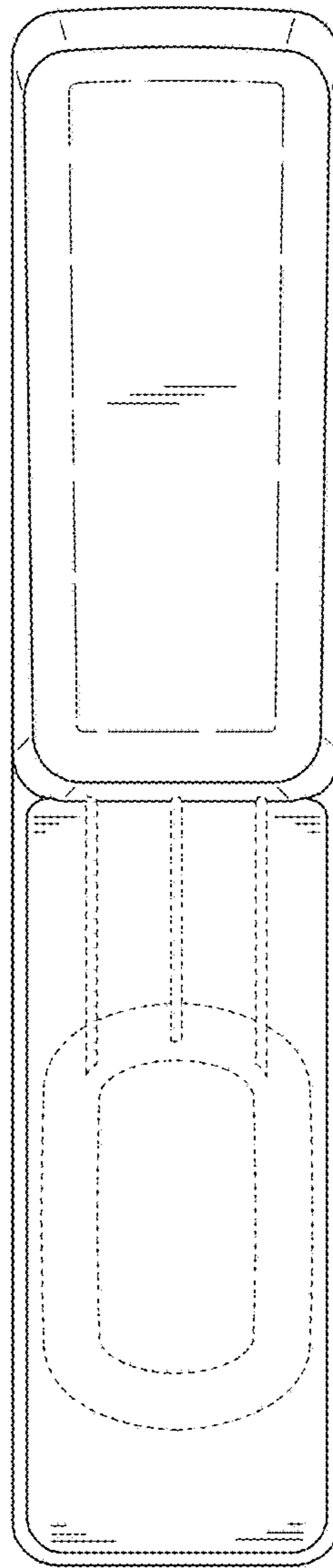


FIG. 7

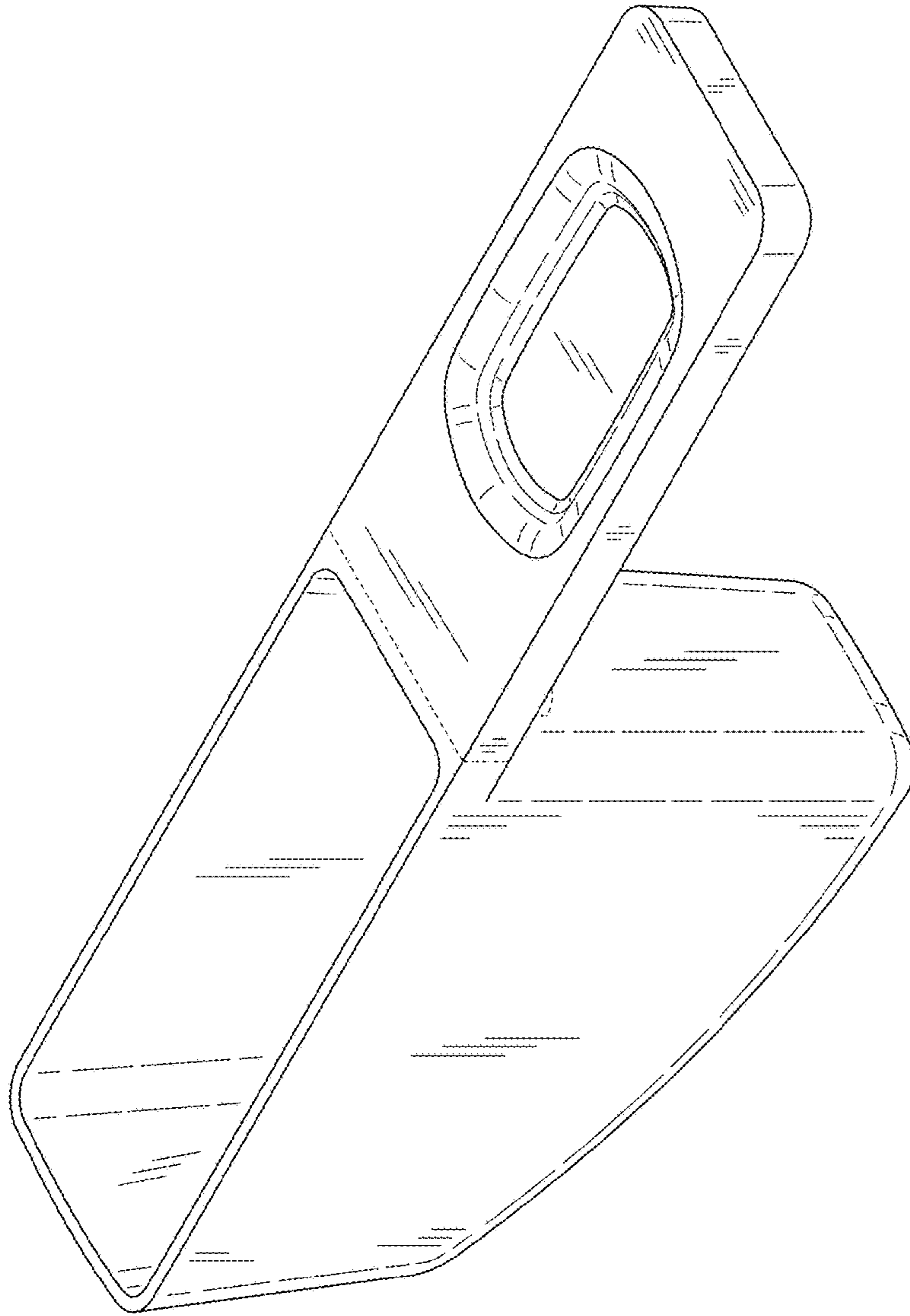


FIG. 8

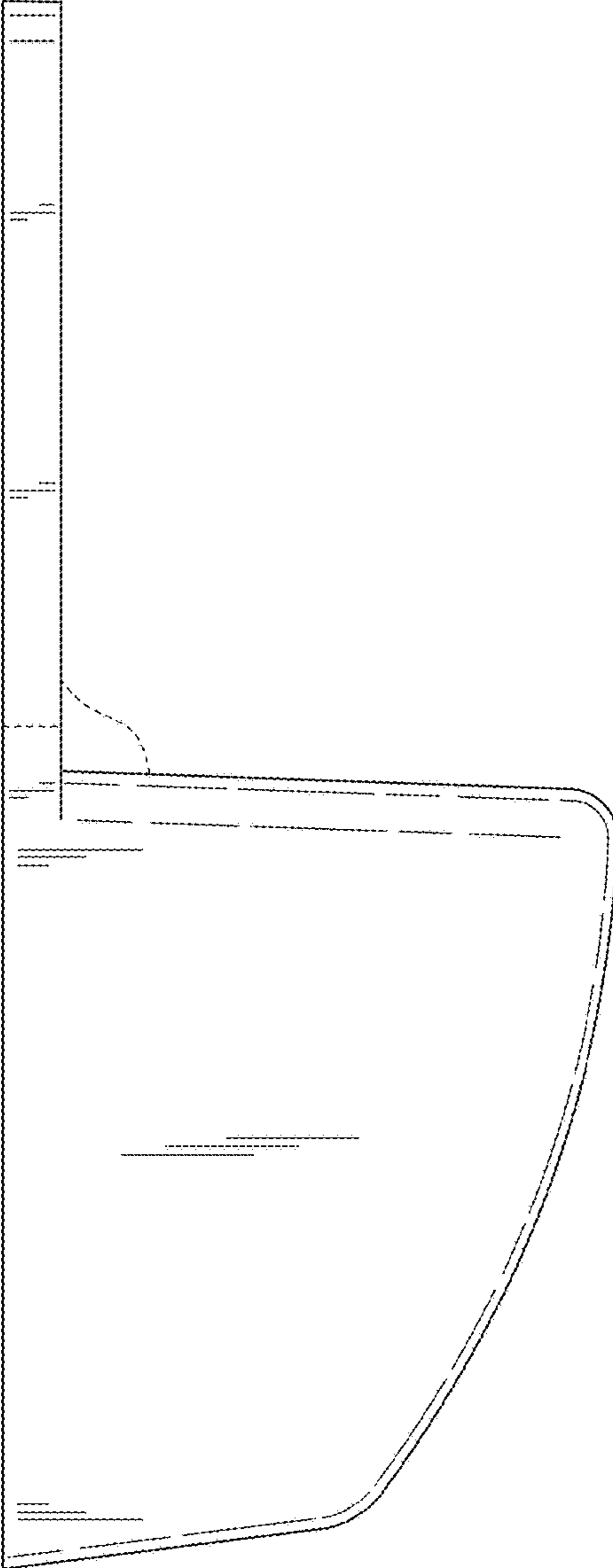


FIG. 9

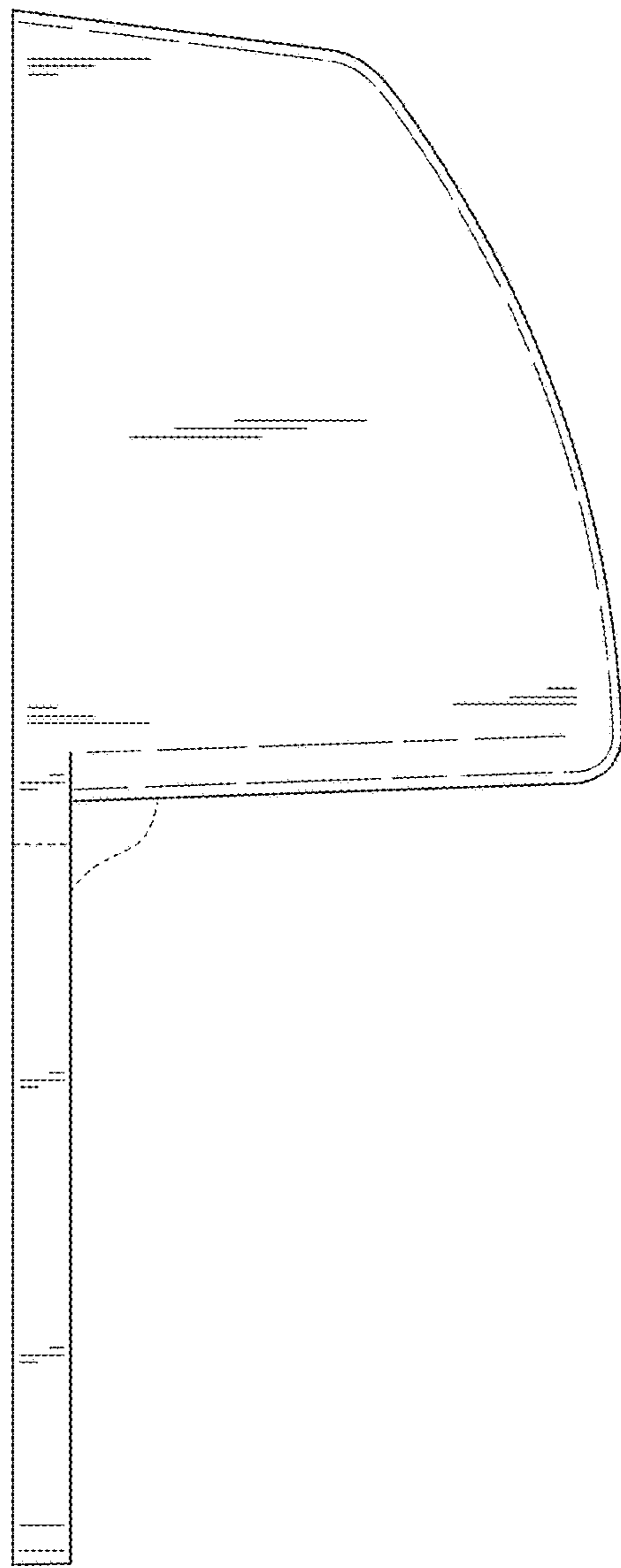


FIG. 10

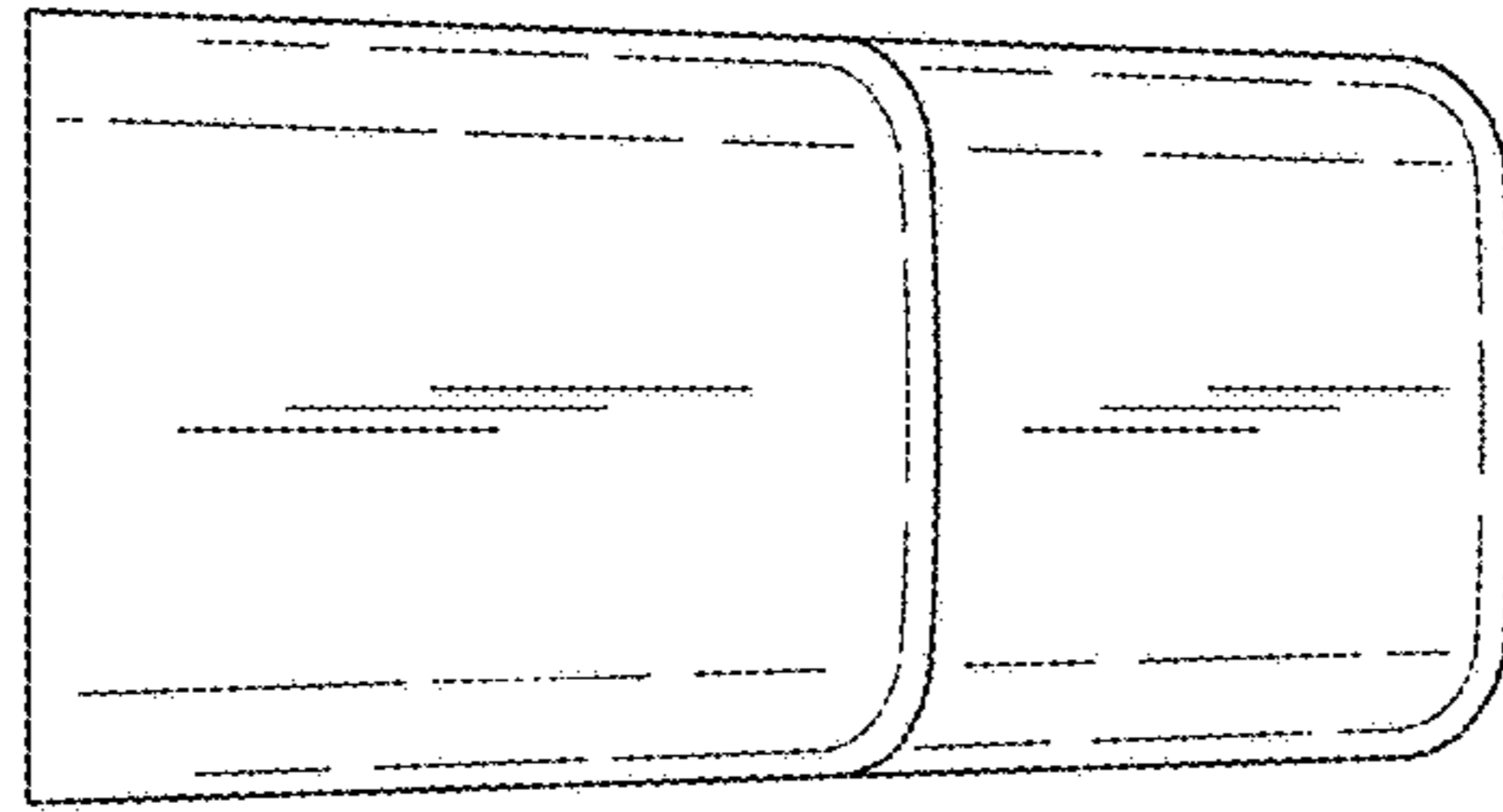


FIG. 12

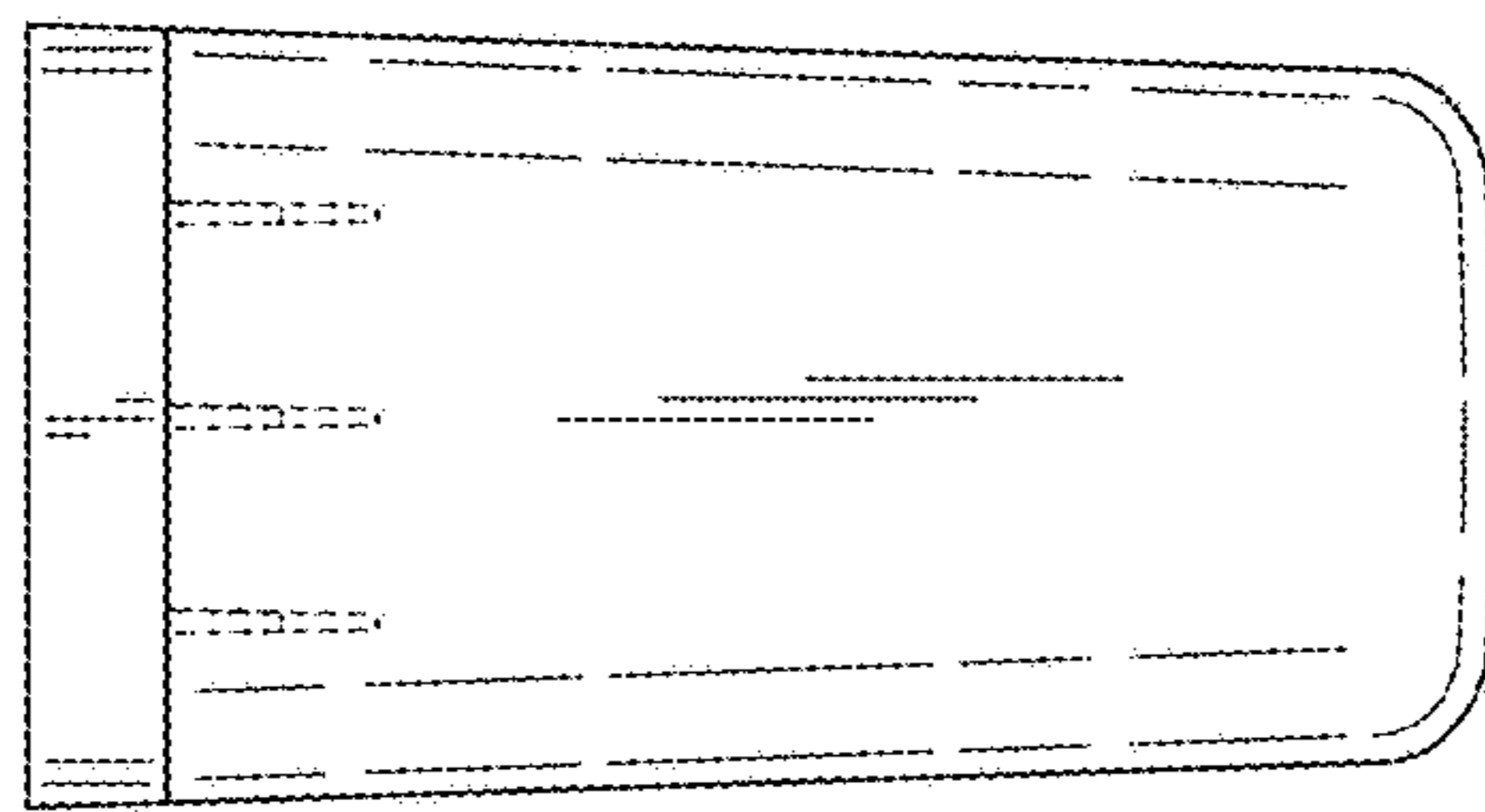


FIG. 11

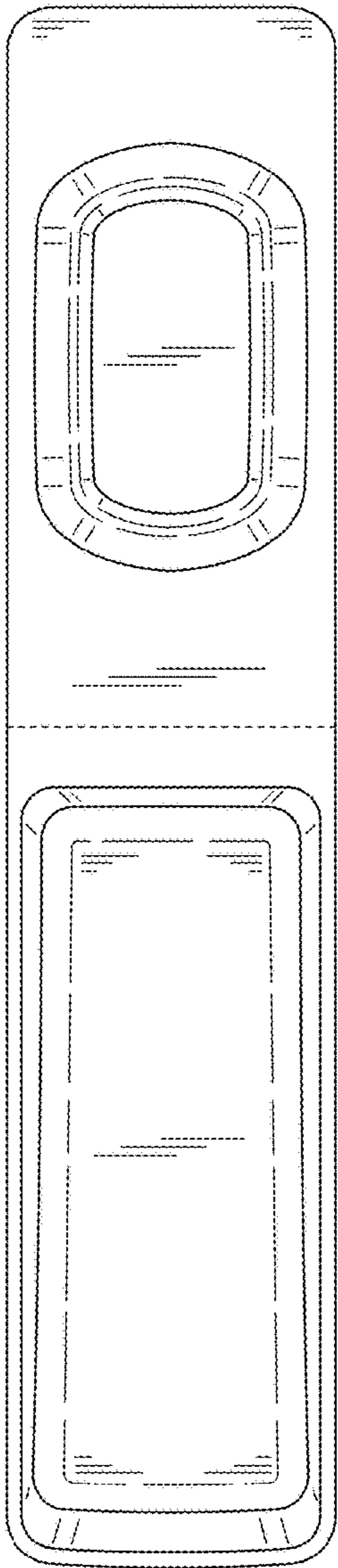


FIG. 13

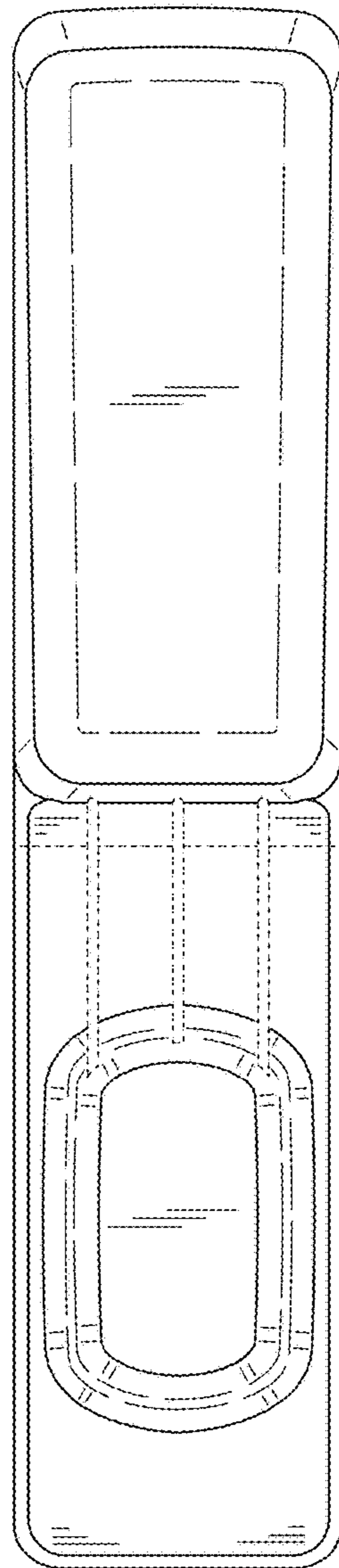


FIG. 14