



US00D862996S

(12) **United States Design Patent**  
**Miksovsky et al.**

(10) **Patent No.:** **US D862,996 S**  
(45) **Date of Patent:** **\*\* Oct. 15, 2019**

(54) **EXTENDABLE SPOON**

(71) Applicant: **humangear, Inc.**, San Francisco, CA (US)  
(72) Inventors: **Christopher A. Miksovsky**, San Francisco, CA (US); **Steven R. Takayama**, Atherton, CA (US); **Kevin J. Kilpatrick**, Mountain View, CA (US)  
(73) Assignee: **humangear, Inc.**, San Francisco, CA (US)

(\*\*) Term: **15 Years**

(21) Appl. No.: **29/653,595**

(22) Filed: **Jun. 15, 2018**

(51) **LOC (12) Cl.** ..... **07-03**

(52) **U.S. Cl.**  
USPC ..... **D7/643**; D7/401.2; D7/642; D7/653

(58) **Field of Classification Search**  
USPC ..... D7/368, 401.2, 642-645, 647-649, D7/653-664, 669, 675-677, 683,  
(Continued)

(56) **References Cited**

**U.S. PATENT DOCUMENTS**

33,703 A 11/1861 Hardie  
34,069 A 1/1862 Neill  
(Continued)

**FOREIGN PATENT DOCUMENTS**

CN 200945058 9/2007  
CN 201691585 1/2011  
(Continued)

**OTHER PUBLICATIONS**

International Search Report dated Jul. 8, 2015 from International Application No. PCT/US2015/019017.  
(Continued)

*Primary Examiner* — Ricky Pham  
(74) *Attorney, Agent, or Firm* — Beyer Law Group LLP

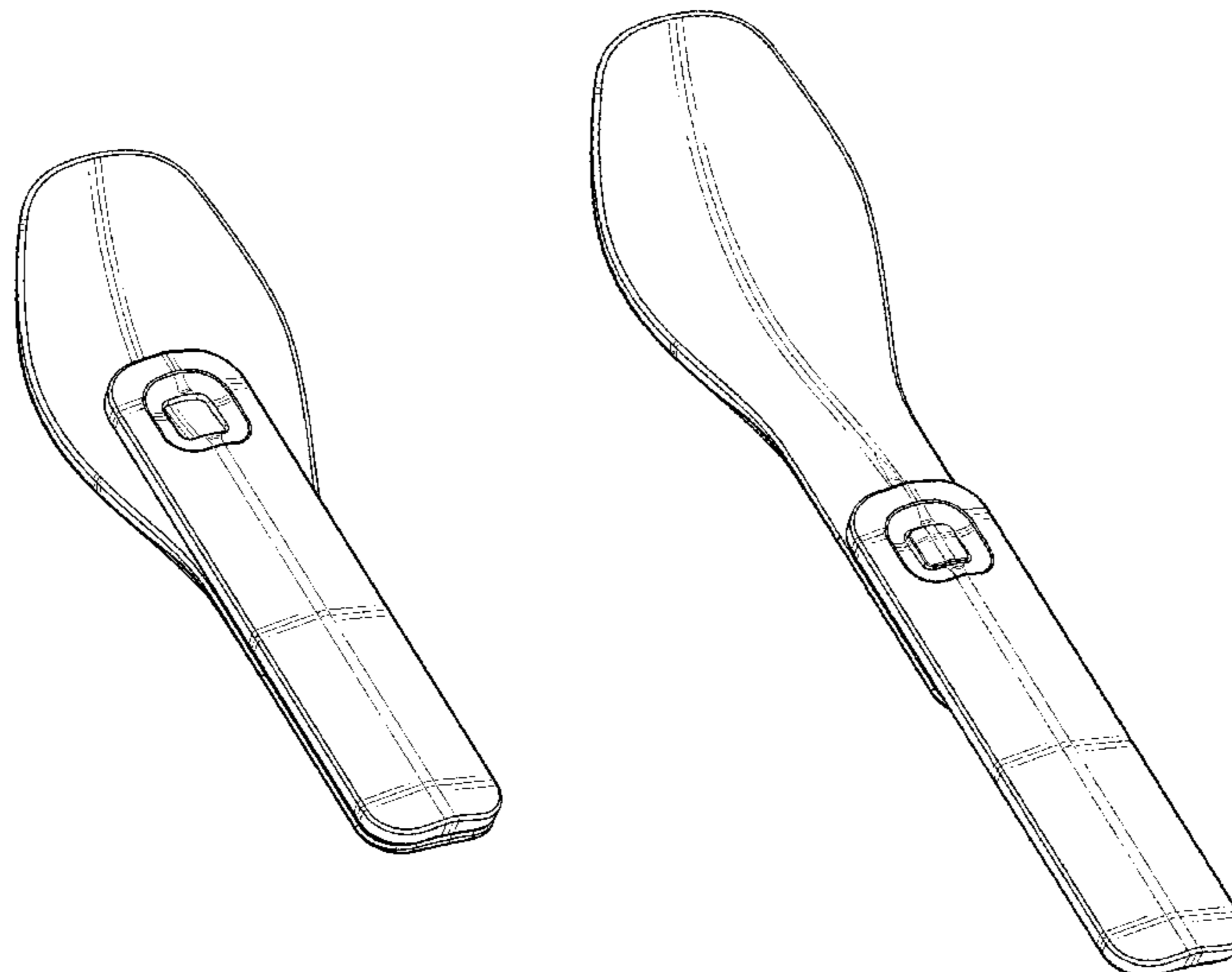
(57) **CLAIM**

We claim the ornamental design for an extendable spoon, substantially as shown and described.

**DESCRIPTION**

FIG. 1 is a perspective view of an extendable spoon in a nested position in accordance with the present design.  
FIG. 2 is a top view of the extendable spoon in the nested position.  
FIG. 3 is a back view of the extendable spoon in the nested position.  
FIG. 4 is a left side view of the extendable spoon in the nested position.  
FIG. 5 is a right side view of the extendable spoon in the nested position.  
FIG. 6 is a head end view of the extendable spoon in the nested position.  
FIG. 7 is a handle end view of the extendable spoon in the nested position.  
FIG. 8 is a perspective view of the extendable spoon in an extended position.  
FIG. 9 is a bottom view of the extendable spoon in the extended position.  
FIG. 10 is a perspective view of the spoon element alone of the extendable spoon.  
FIG. 11 is a front perspective view of the handle alone of the extendable spoon; and,  
FIG. 12 is a back perspective view of the handle alone of the extendable spoon.  
The broken lines are shown for illustrative purposes only and form no part of the claimed design.

**1 Claim, 11 Drawing Sheets**





(56)

References Cited

FOREIGN PATENT DOCUMENTS

U.S. PATENT DOCUMENTS

D746,644 S 1/2016 Cai  
 D752,918 S 4/2016 Katopis  
 D753,447 S \* 4/2016 Busboom ..... D7/642  
 D756,171 S 5/2016 Mou  
 D756,172 S 5/2016 Mou  
 9,434,590 B2 9/2016 Miksovsky et al.  
 9,468,321 B2 \* 10/2016 Miksovsky ..... A47G 21/06  
 9,549,626 B2 1/2017 Truog et al.  
 D782,254 S 3/2017 Joseph  
 D794,400 S 8/2017 Young  
 D807,127 S 1/2018 Levi  
 D812,994 S 3/2018 Mundhra  
 D812,995 S \* 3/2018 Mundhra ..... A47G 21/04  
 D7/643  
 D813,616 S 3/2018 Mundhra  
 D816,432 S 5/2018 Huang  
 D825,104 S 8/2018 Simard et al.  
 D828,730 S \* 9/2018 Gauss ..... A47G 21/06  
 D7/643  
 D834,887 S 12/2018 Miksovsky et al.  
 D842,662 S \* 3/2019 Bloch ..... A47G 21/02  
 D7/643  
 2003/0029044 A1 \* 2/2003 Mattson ..... A47G 21/02  
 30/324  
 2003/0110644 A1 6/2003 Miller  
 2005/0066531 A1 3/2005 Houglan  
 2005/0155229 A1 7/2005 Lee  
 2006/0248732 A1 11/2006 Straube  
 2007/0084063 A1 4/2007 Hughes  
 2007/0124943 A1 6/2007 Houglan  
 2007/0251103 A1 11/2007 Rhodes, III  
 2008/0000092 A1 1/2008 Vanguard  
 2008/0016698 A1 1/2008 Simpson  
 2008/0148575 A1 6/2008 Chan  
 2008/0256807 A1 10/2008 Kirkup  
 2009/0172949 A1 7/2009 Watts  
 2009/0205209 A1 8/2009 Tovar  
 2009/0293283 A1 12/2009 Hsu  
 2010/0206885 A1 8/2010 Bowden et al.  
 2010/0218382 A1 9/2010 Scott  
 2011/0091521 A1 4/2011 Omelchenko  
 2012/0036724 A1 2/2012 Walters  
 2012/0297628 A1 11/2012 Rayko et al.  
 2013/0152406 A1 6/2013 McFarland  
 2014/0026425 A1 1/2014 Kim  
 2015/0014329 A1 1/2015 Konopatsky  
 2015/0257562 A1 9/2015 Miksovsky et al.  
 2017/0000276 A1 1/2017 Miksovsky et al.  
 2019/0104873 A1 4/2019 Miksovsky et al.  
 2019/0110620 A1 4/2019 Miksovsky et al.

CN 202234496 5/2012  
 CN 202874843 4/2013  
 CN 203424719 2/2014  
 DE 44 17 037 12/1998  
 EP 0 129 495 12/1984  
 GB 22788 9/1915  
 GB 1337613 11/1973  
 WO WO 2013/095407 6/2013  
 WO WO 2015/138218 9/2015

OTHER PUBLICATIONS

Written Opinion dated Jul. 8, 2015 from International Application No. PCT/US2015/019017.  
 Chinese Office Action dated Apr. 27, 2017 from Chinese Application No. 201580022197.1.  
 Chinese Office Action dated Aug. 1, 2017 from Chinese Application No. 201611163525.2.  
 European Search Report dated Jun. 16, 2017 from European Application No. 16202786.3-1653.  
 European Office Action dated Oct. 17, 2018 from European Patent Application No. 16 202 786.6-1011.  
 Light My Fire, Spork original, <http://www.lightmyfire.com/products/products/spork/spork-original.aspx>, downloaded on Mar. 6, 2014.  
 Primus, Folding Spork, <http://store.primuscamping.com/cookware/utensils-and-accessories/primus-folding-spork-black/>, downloaded on Mar. 6, 2014.  
 DCI, Swivel Spork & Knife Set, <http://shop.dcgift.com/p/swivel-spork-knife-set>, downloaded on Mar. 6, 2014.  
 Miksovsky et al., U.S. Appl. No. 16/439,425, filed Jun. 12, 2019.  
 Miksovsky et al., U.S. Appl. No. 29/642,486, filed Mar. 29, 2018.  
 Alite, Cloverware Lite, <http://shop.alitedesigns.com/cloverware-lite.html>, downloaded on Mar. 6, 2014.  
 Alite, Cloverware 2.0, <http://shop.alitedesigns.com/cloverware-538.html>, downloaded on Mar. 6, 2014.  
 Guyot, Microbites™, <https://www.guyotdesigns.com/product-microbites/>, downloaded on Mar. 6, 2014.  
 Guyot, Utensils, <https://www.guyotdesigns.com/utensils/>, downloaded on Mar. 6, 2014.  
 GSI Outdoors, Telescoping Foon, Ultimate Compact Utensil, <http://www.gsioutdoors.com/telescoping-foon.html>, downloaded from the internet on Sep. 20, 2018.  
 GSI Outdoors, Pivot Spatula, <http://www.gsioutdoors.com/pivot-spatula.html>, downloaded from the internet on Sep. 20, 2018.  
 MSR, Folding Utensils, <https://www.msrgear.com/cookware/folding-utensils>, downloaded from the internet on Sep. 20, 2018.  
 Miksovsky et al., U.S. Appl. No. 29/653,612, filed Jun. 16, 2018.

\* cited by examiner

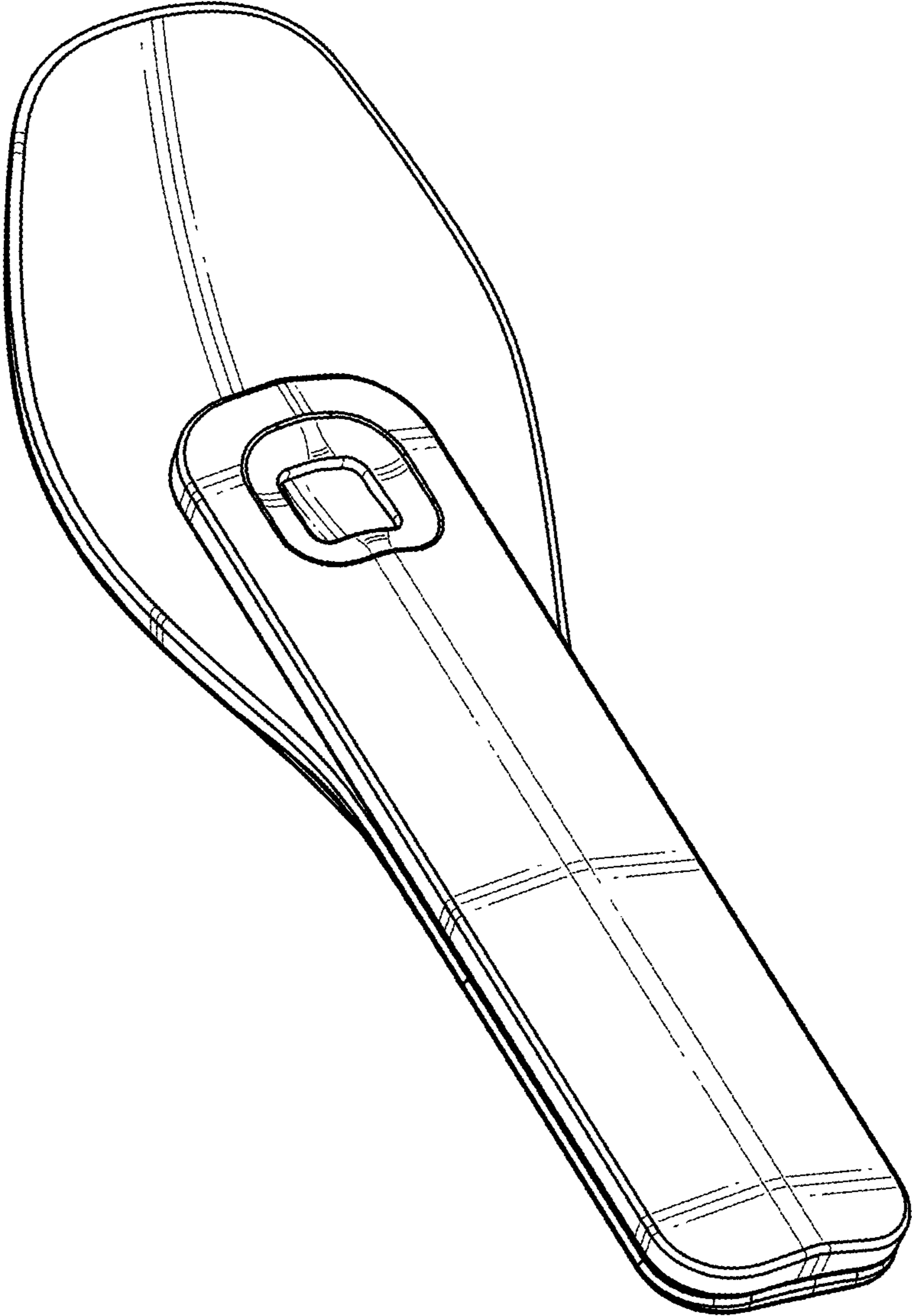


FIG. 1

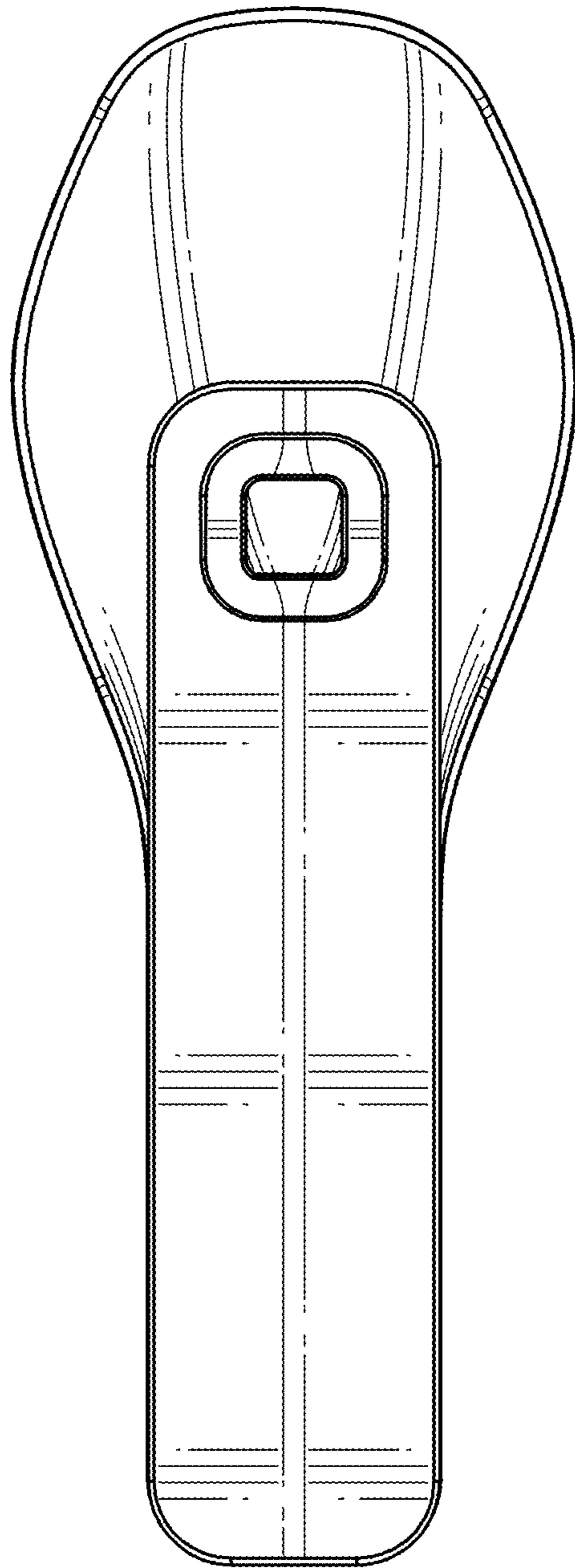


FIG. 2

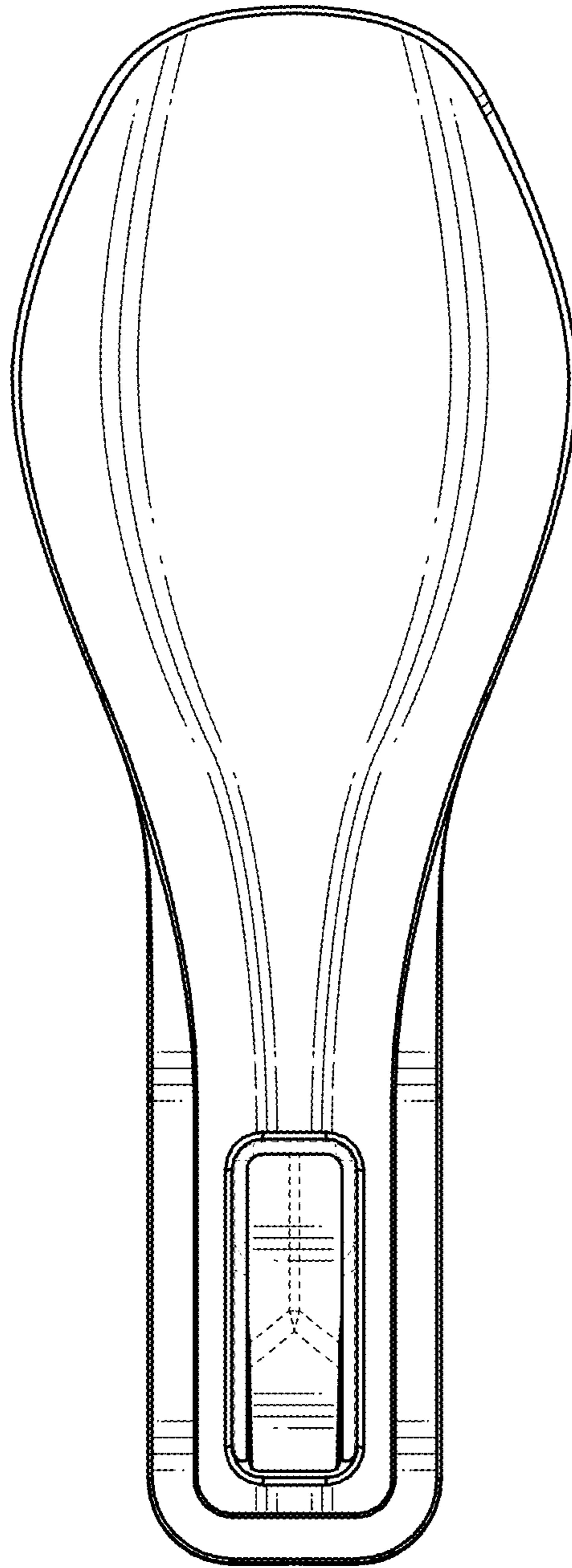


FIG. 3

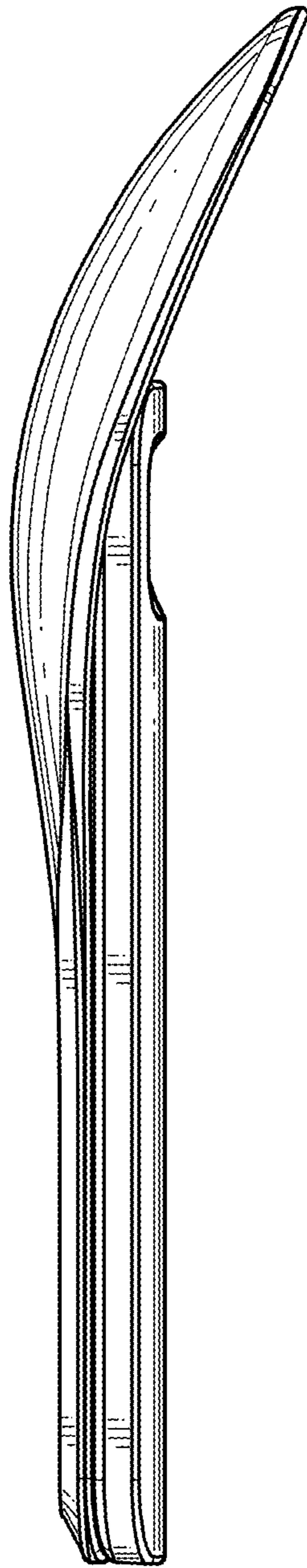


FIG. 4

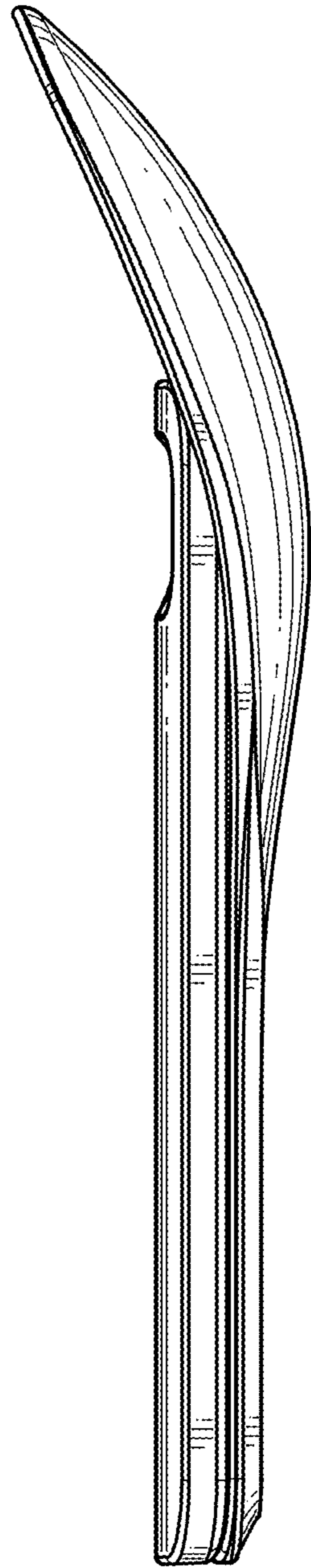


FIG. 5



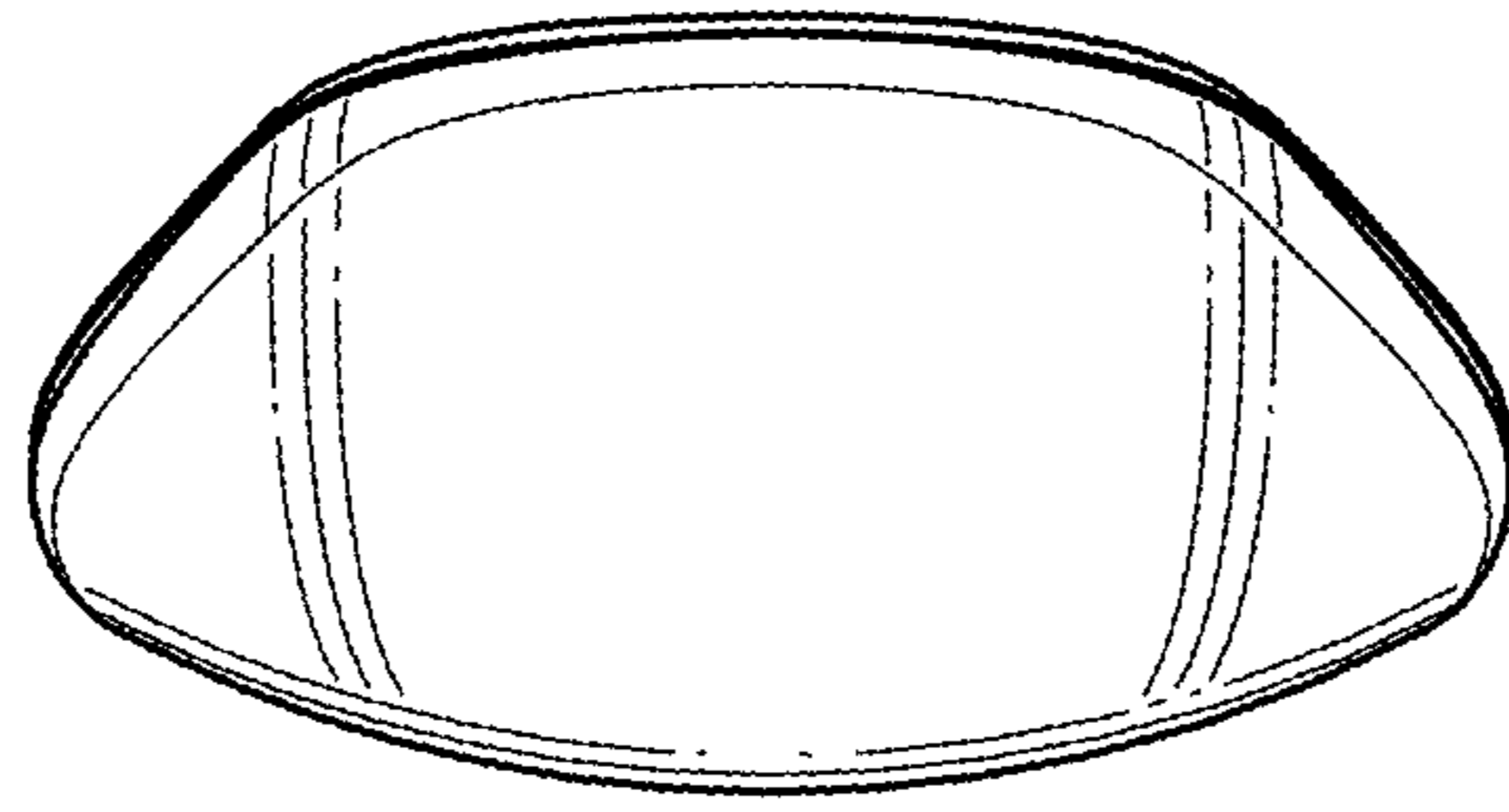


FIG. 6

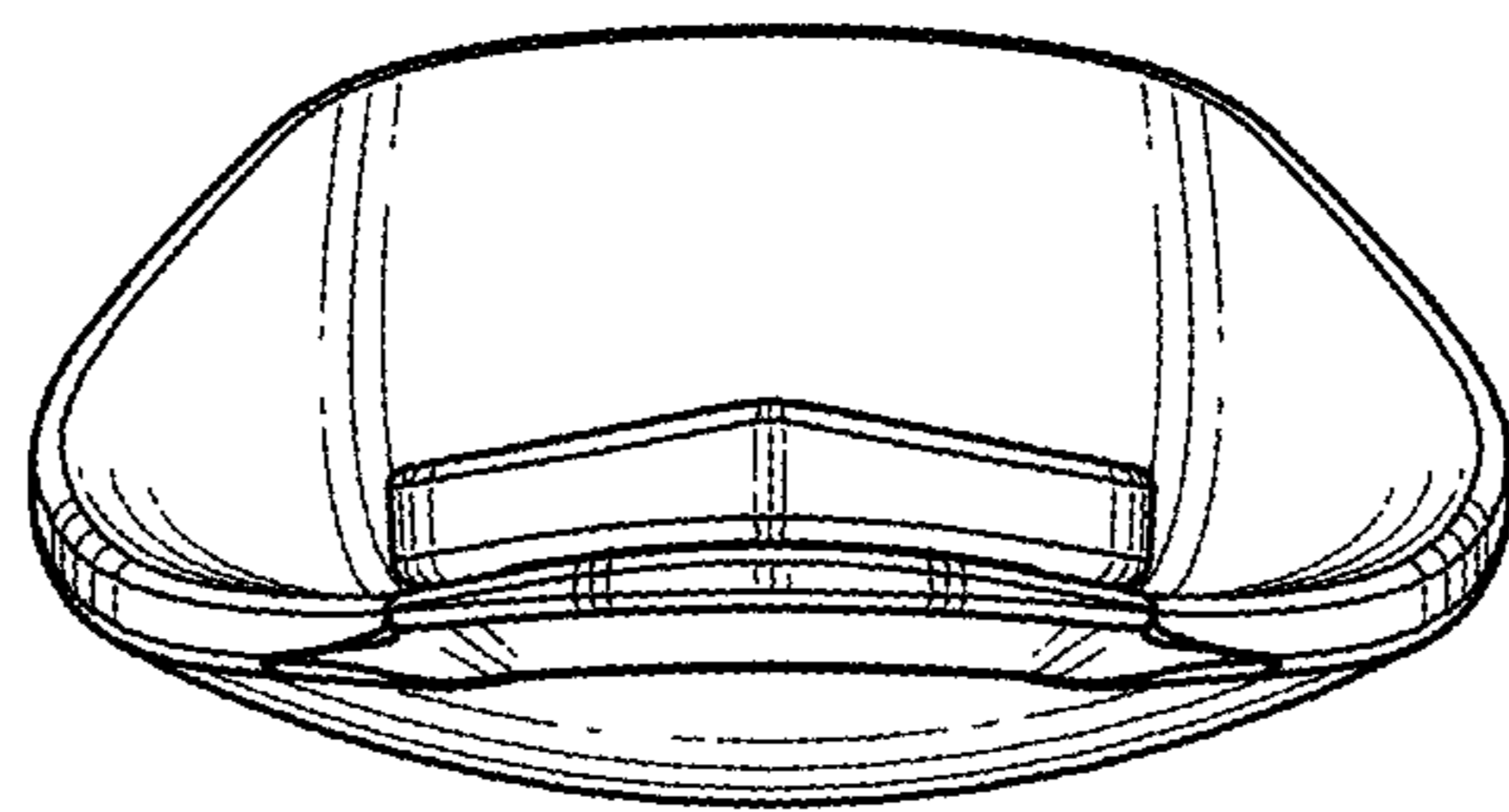


FIG. 7

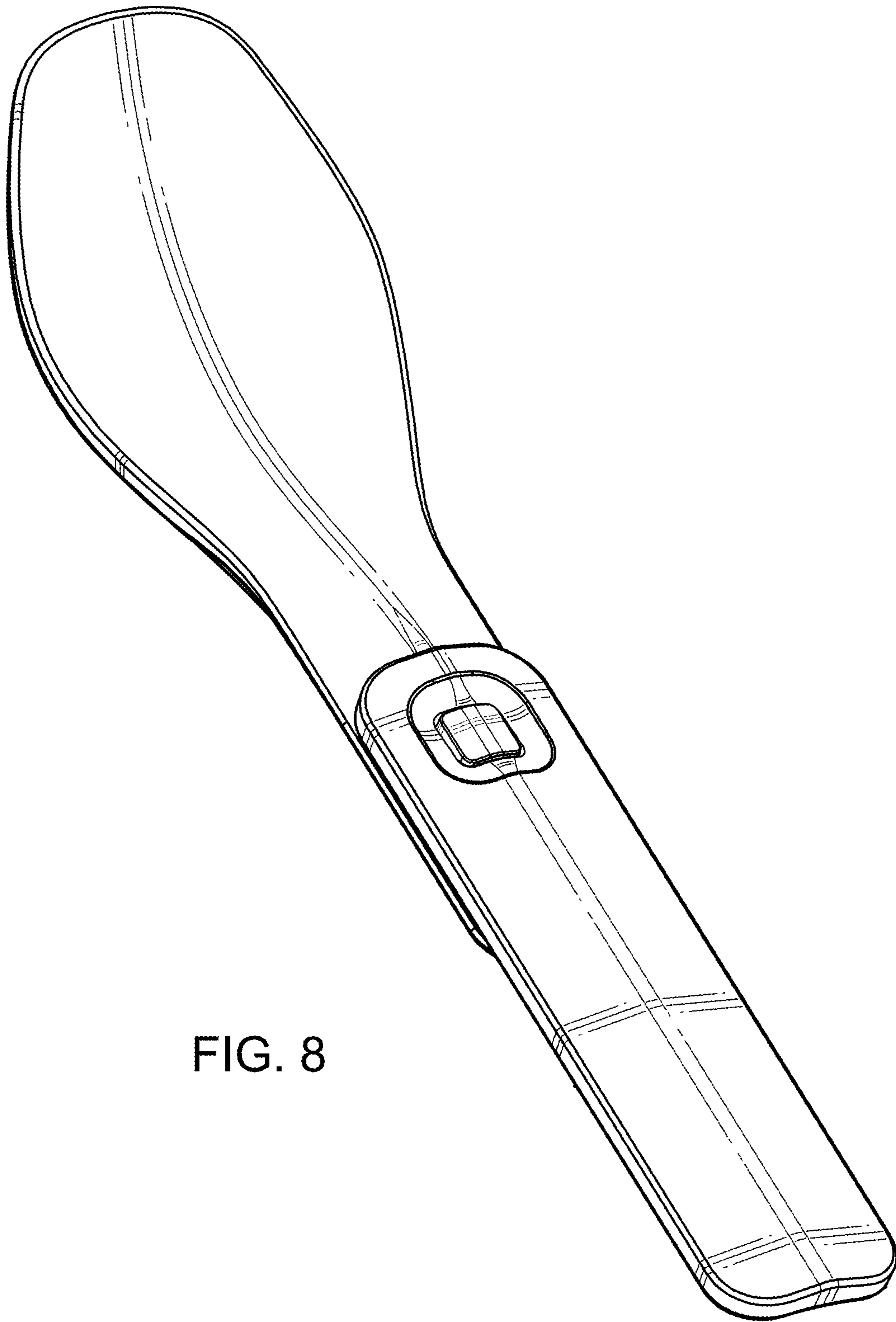


FIG. 8

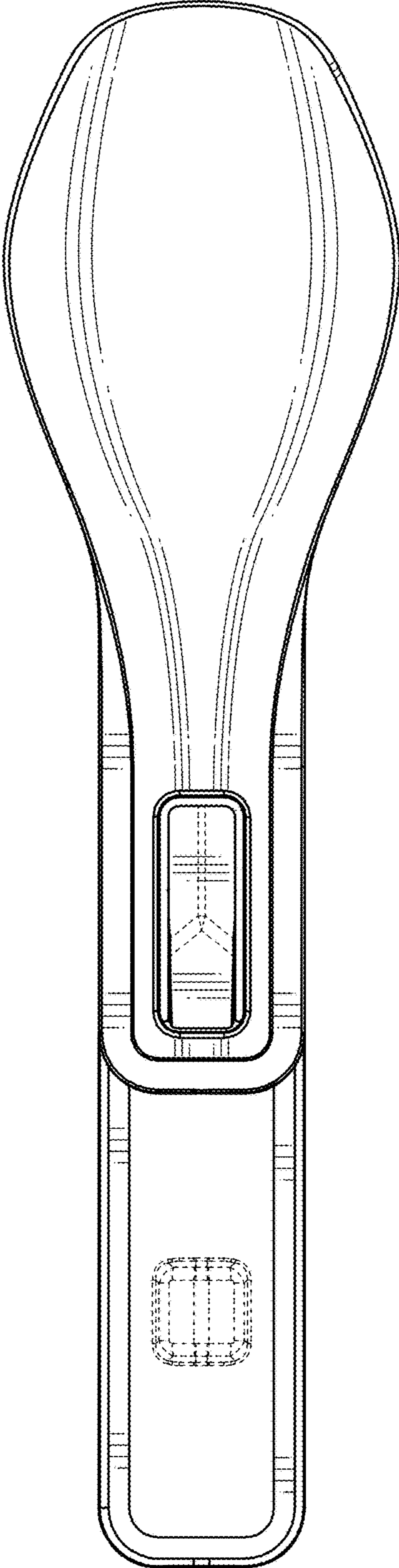


FIG. 9

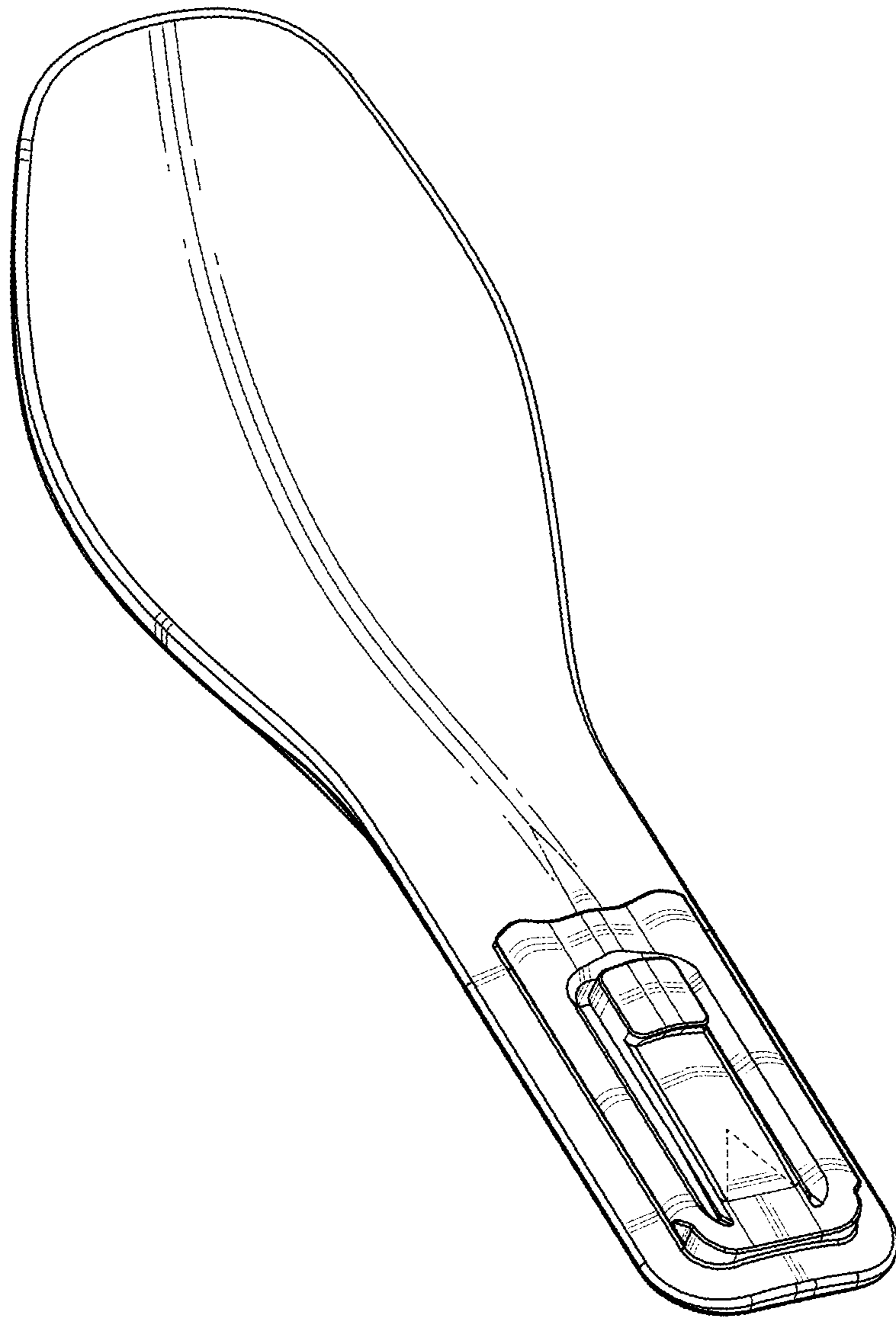


FIG. 10

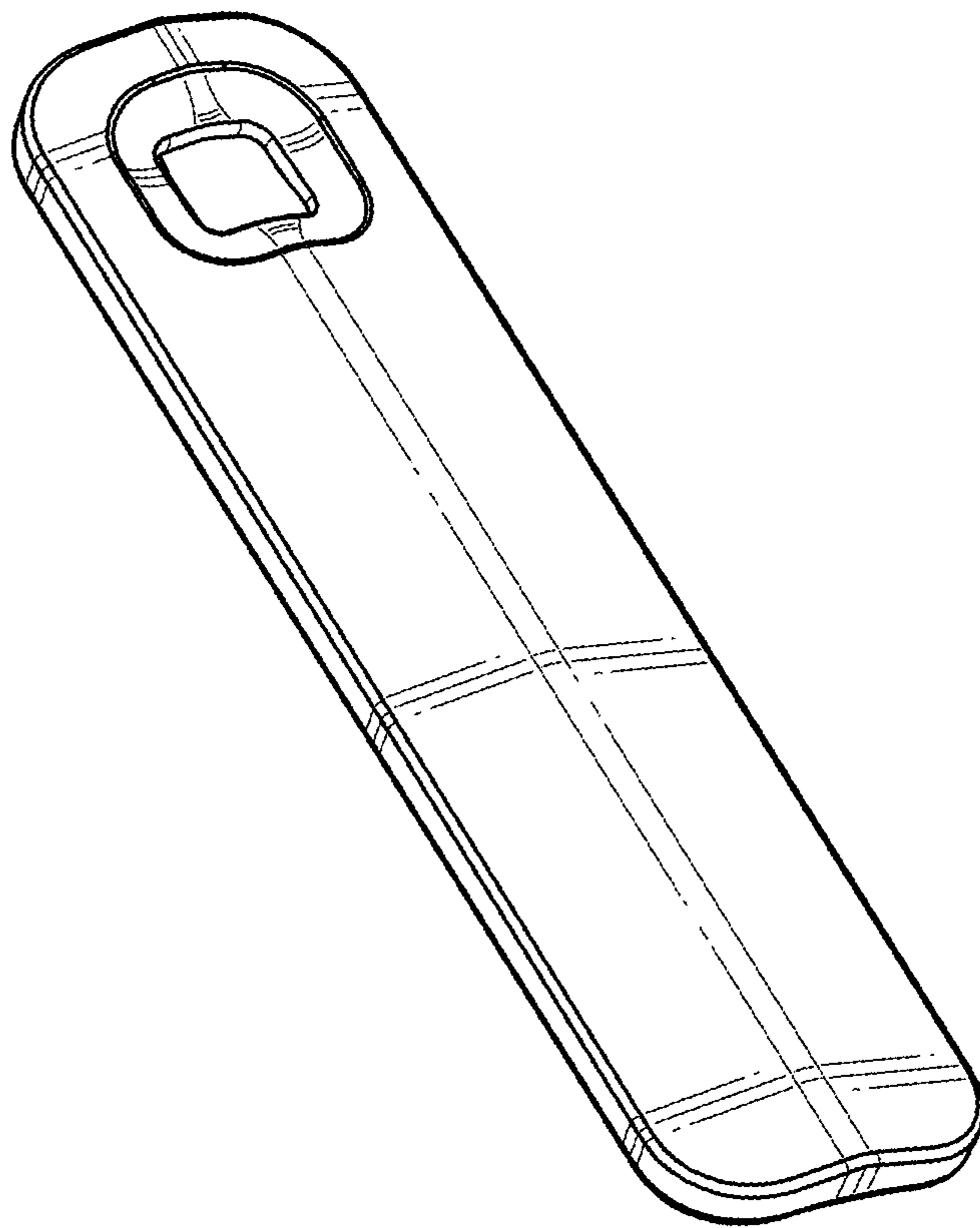


FIG. 11

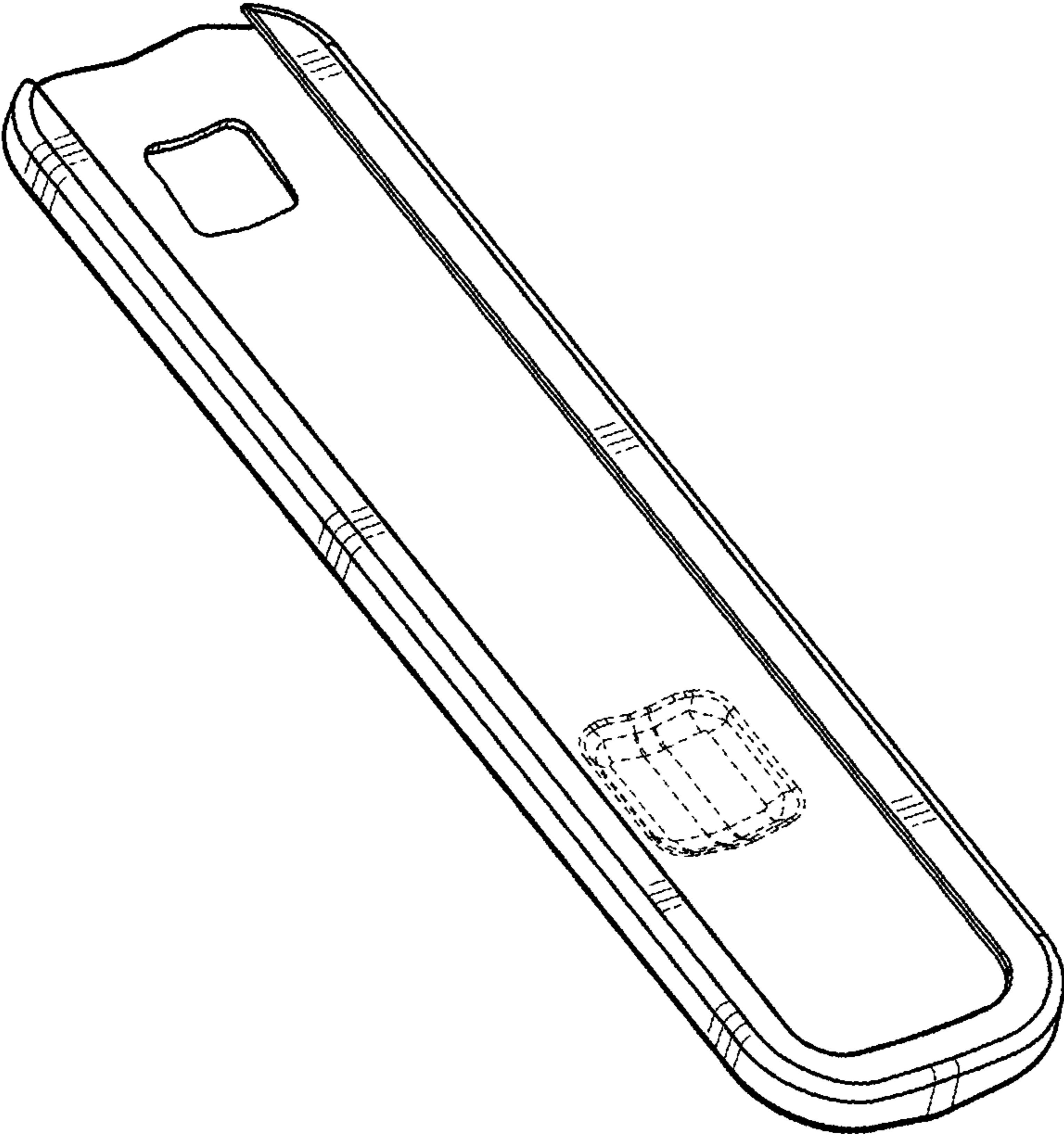


FIG. 12