



US00D862995S

(12) **United States Design Patent** (10) **Patent No.:** **US D862,995 S**
Androxman (45) **Date of Patent:** **** Oct. 15, 2019**

(54) **CHOPSTICKS WITH SPOON FORMING FEATURES**

Primary Examiner — Ricky Pham

(71) Applicant: **Thomas Androxman**, Westminster, CO (US)

(57) **CLAIM**

(72) Inventor: **Thomas Androxman**, Westminster, CO (US)

I claim the ornamental design for chopsticks with spoon forming features, as shown and described.

(**) Term: **15 Years**

(21) Appl. No.: **29/650,805**

DESCRIPTION

(22) Filed: **Jun. 10, 2018**

(51) **LOC (12) Cl.** **07-03**

(52) **U.S. Cl.**

USPC **D7/643**; D7/642; D7/653

(58) **Field of Classification Search**

USPC D7/368, 401.2, 642–645, 653–664, 669, D7/675–677, 683, 688–689, 691;

D8/107, 300–301; D22/117–118; D28/9

CPC ... A01D 9/02; A01D 9/04; A01D 9/06; A47G

21/00; A47G 21/004; A47G 21/005;

A47G 21/02; A47G 21/023; A47G 21/04;

A47G 21/06; A47G 21/08; A47G 21/10;

A47G 21/103; A47G 21/181; A47J 43/28;

A47J 43/281; A47J 43/282; A61F 13/10;

A61J 7/0023; B25G 1/00; B25G 1/01;

B25G 1/02; B25G 3/00; B65D 75/56;

B65D 75/563; B65D 75/566; B67B 7/00;

B67B 7/38; B67B 7/724; B67B 7/73

See application file for complete search history.

FIG. 1 is a perspective view of the chopsticks in their mated state to function as a spoon.

FIG. 2 is a perspective view of the chopsticks separated.

FIG. 3 is a top view of the chopsticks separated.

FIG. 4 is a bottom view of the chopsticks separated.

FIG. 5 is a front view relative to FIG. 3 (chopstick members offset for illustrative purpose).

FIG. 6 is a back view relative to FIG. 3 (chopstick members offset for illustrative purpose).

FIG. 7 is a left view relative to FIG. 3.

FIG. 8 is a right view relative to FIG. 3.

FIG. 9 is a perspective view with the chopstick members held sideways illustrating the pinching function of the pointed spoon features.

FIG. 10 is a perspective view with the chopstick members held reversed relative to FIG. 9 to function in a conventional sense; and,

FIG. 11 is a perspective view with the chopstick members held mated together so that the half-spoon feature of each member combine to form a full spoon.

The broken lines shown in the drawings are for illustrative purposes only and form no part of the claimed design.

My chopstick design is characterized by each chopstick member forming a half-spoon feature on one end and with alignment feature(s) along the shaft such that, when mated, a full spoon is formed. Additionally, the pointed end of the half spoon features, when turned sideways, can act as a pincher while the opposite end is shaped for conventional use as well as fork-like piercing.

(56) **References Cited**

U.S. PATENT DOCUMENTS

1,490,785 A * 4/1924 Purnell A47G 21/181
30/141

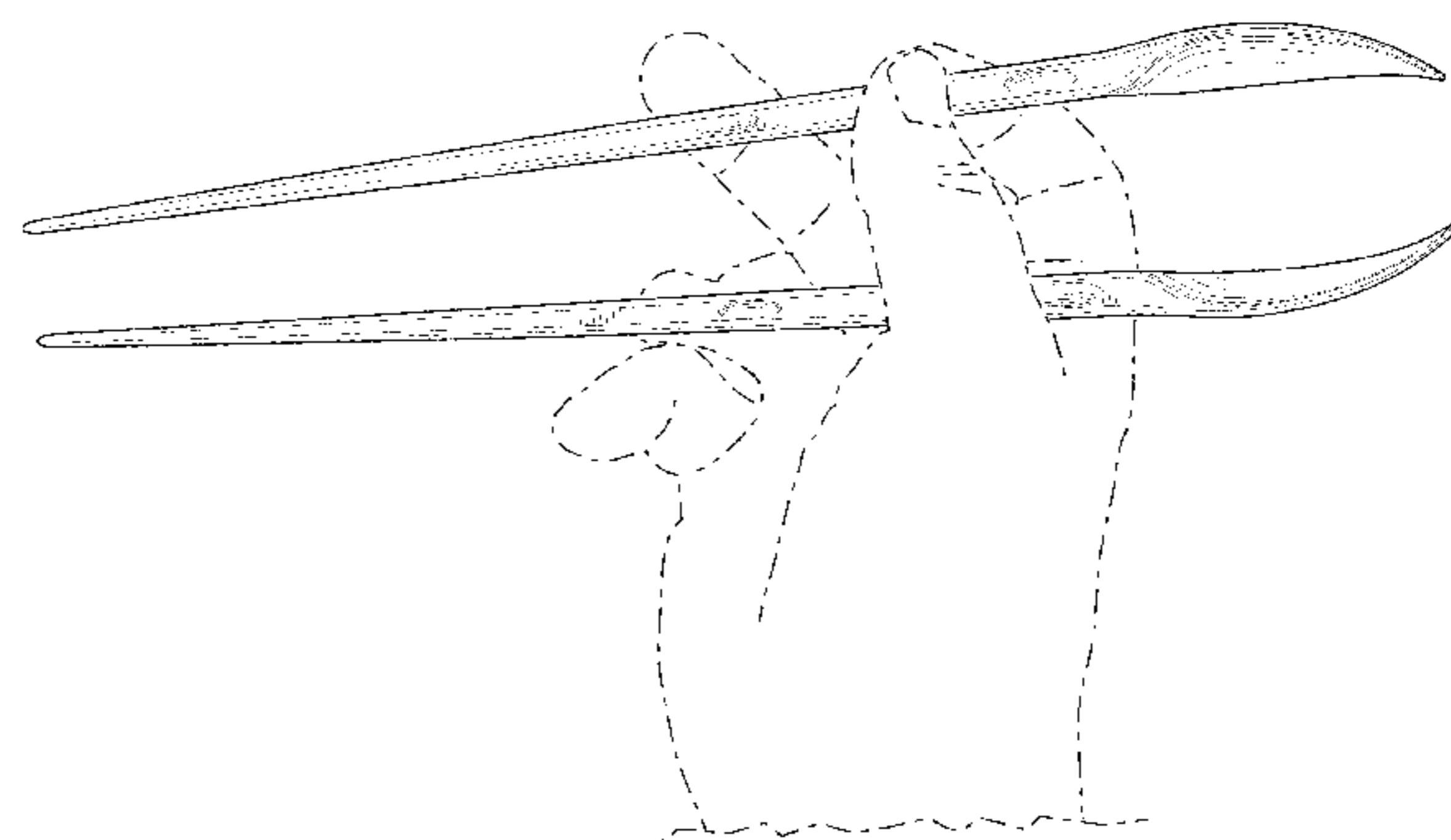
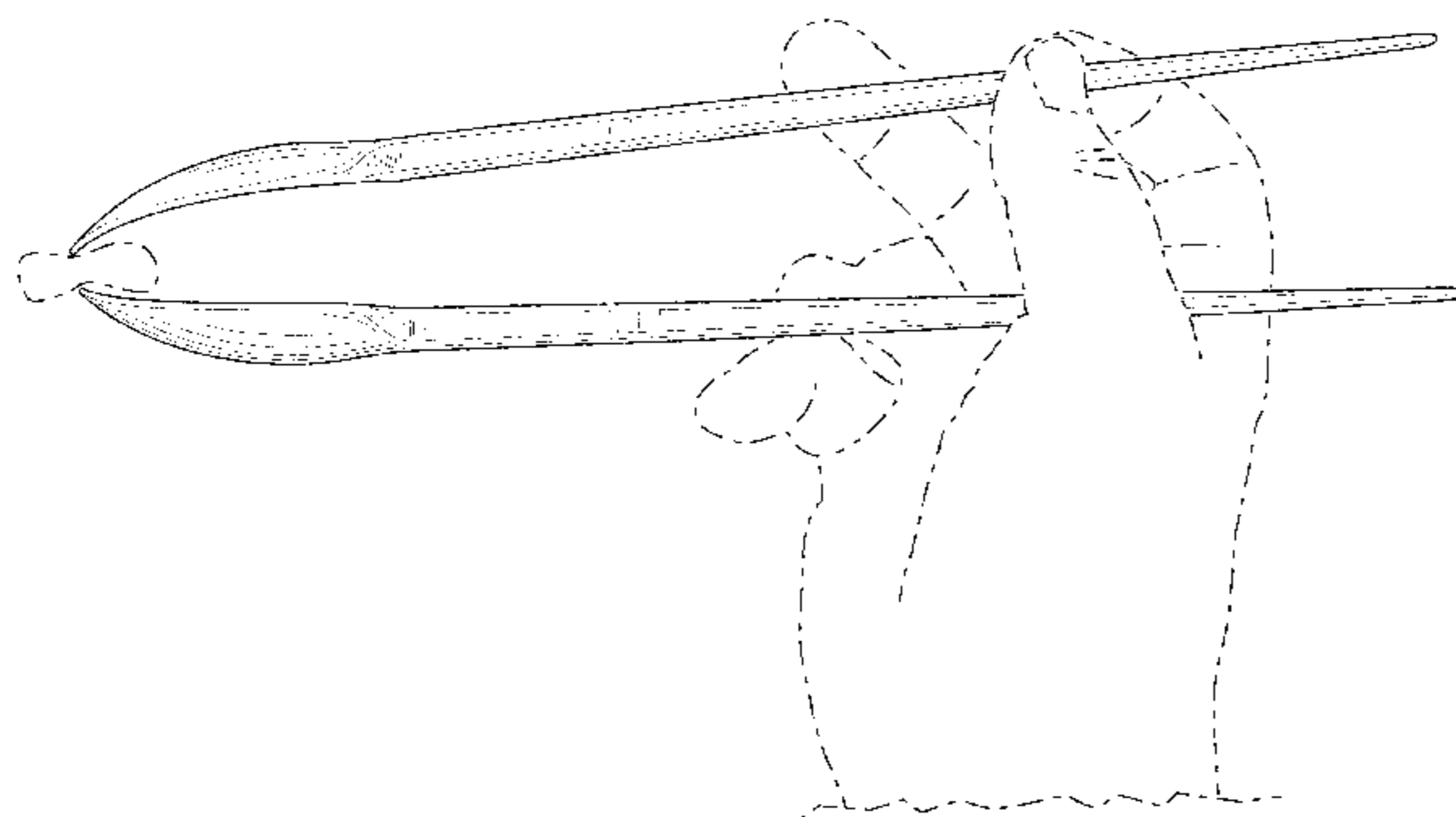
D105,193 S * 7/1937 Barney D7/658

4,826,227 A * 5/1989 Lew A47G 21/103
294/16

5,056,173 A * 10/1991 Brincat A47G 21/02
294/51

(Continued)

1 Claim, 7 Drawing Sheets



(56)

References Cited

U.S. PATENT DOCUMENTS

6,457,238 B1 * 10/2002 Maier A47G 21/08
294/50.8
D499,311 S 12/2004 Chen
D601,389 S * 10/2009 Brown D7/642
7,878,563 B2 * 2/2011 Beckham A47G 21/103
294/218
8,870,254 B2 * 10/2014 Marshall, III A47G 21/10
294/99.2
D750,837 S * 3/2016 Gast D28/57
D833,833 S * 11/2018 Hanscom D7/643
2002/0092181 A1 * 7/2002 Choi A47G 21/02
30/324
2014/0059783 A1 * 3/2014 Lu A47G 21/02
7/158
2015/0014329 A1 * 1/2015 Konopatsky A47G 21/06
220/574

* cited by examiner

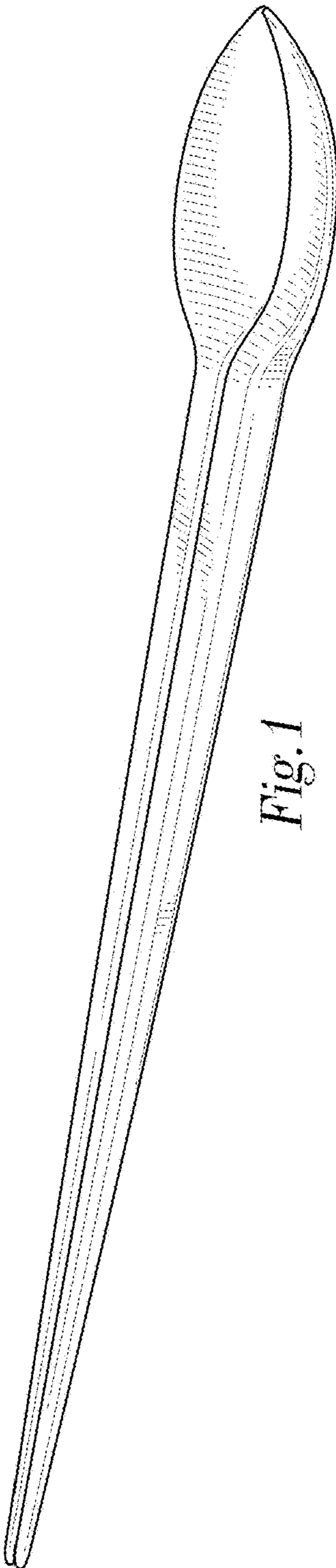


Fig. 1

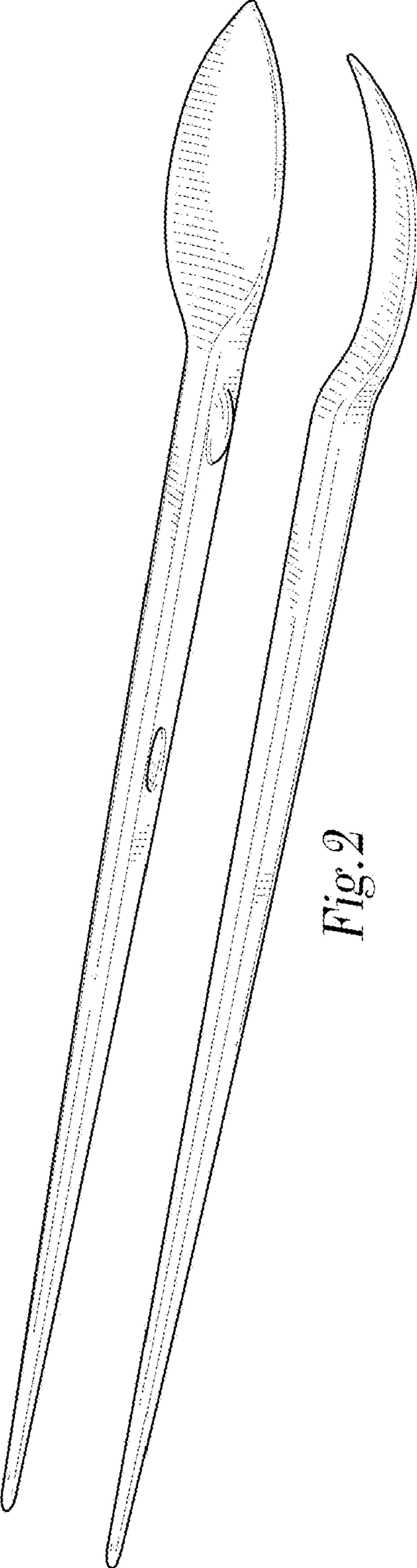


Fig. 2

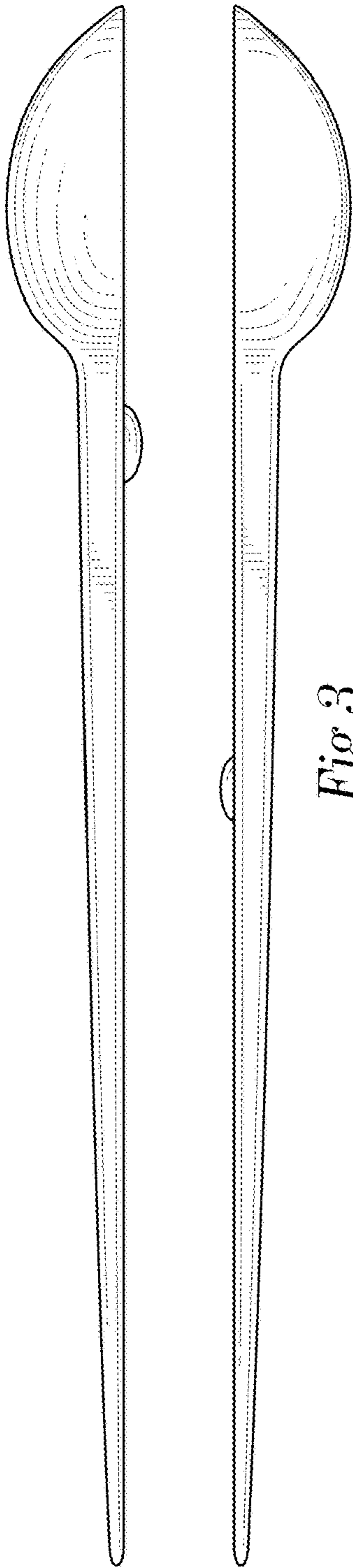


Fig. 3

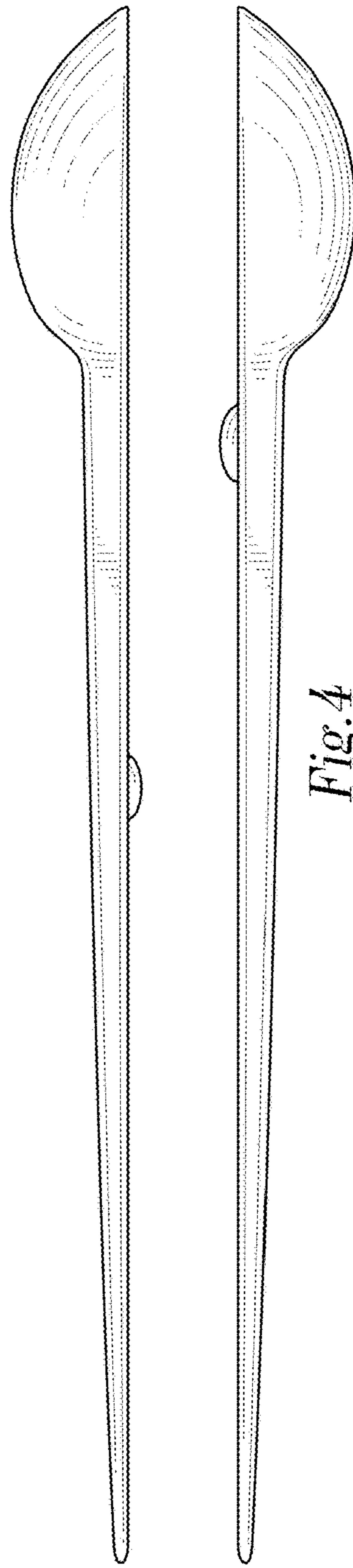


Fig. 4

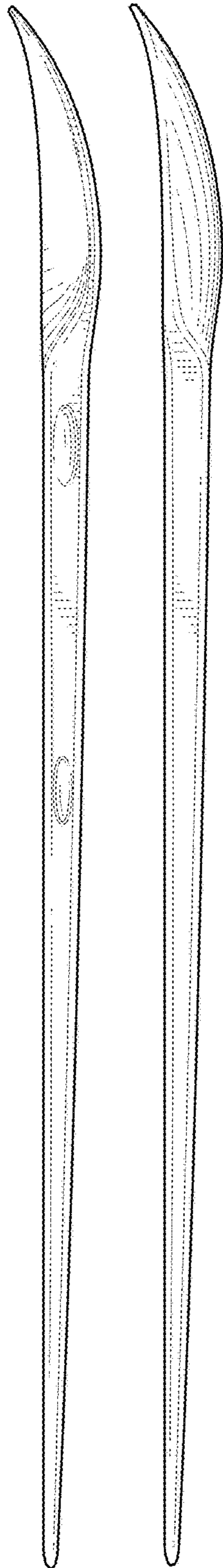


Fig. 5

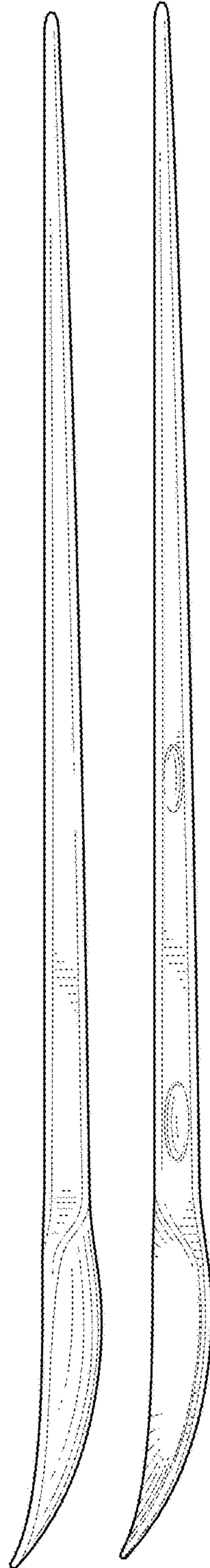


Fig. 6

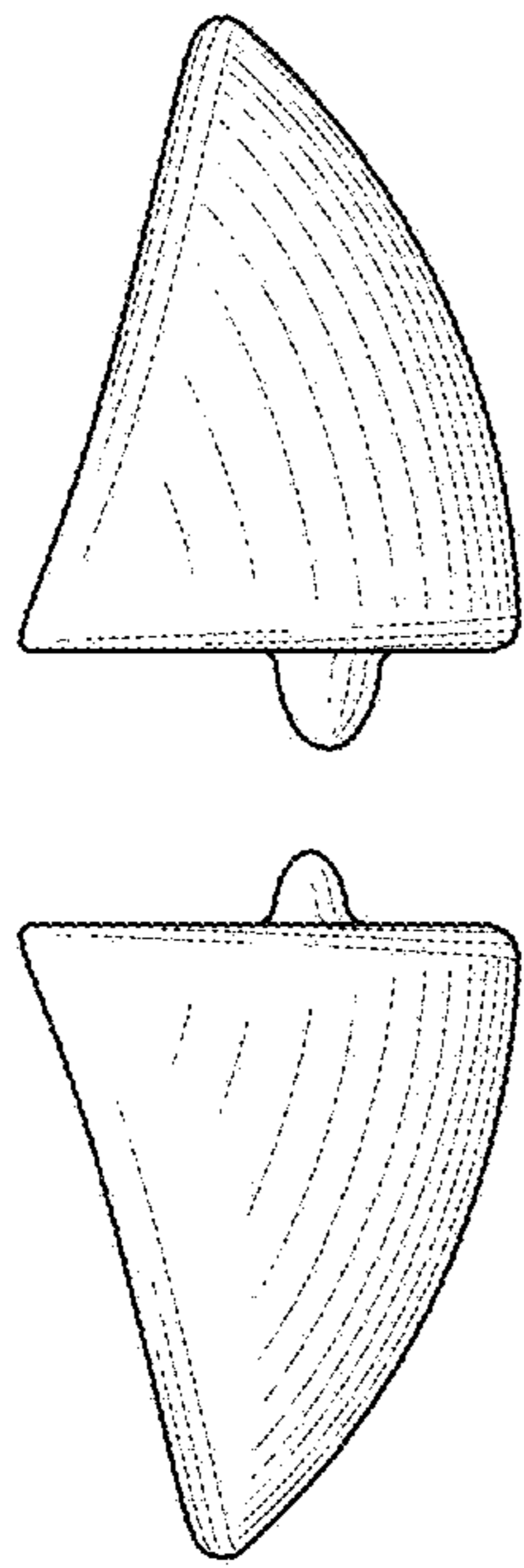


Fig. 7

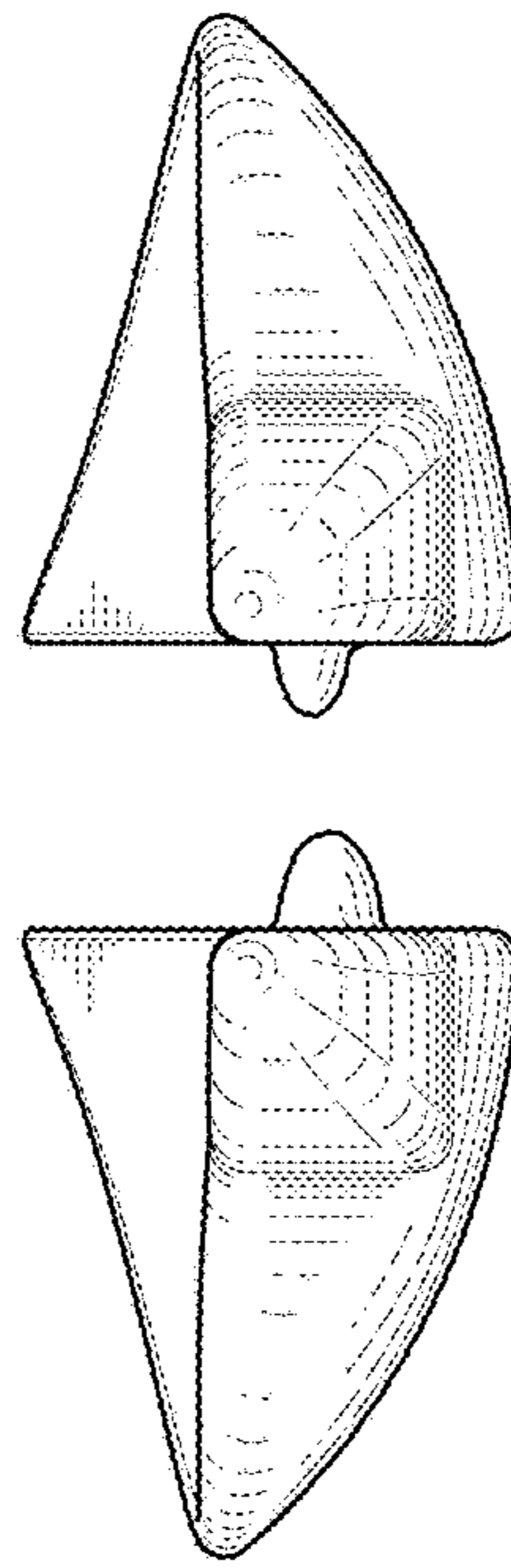


Fig. 8

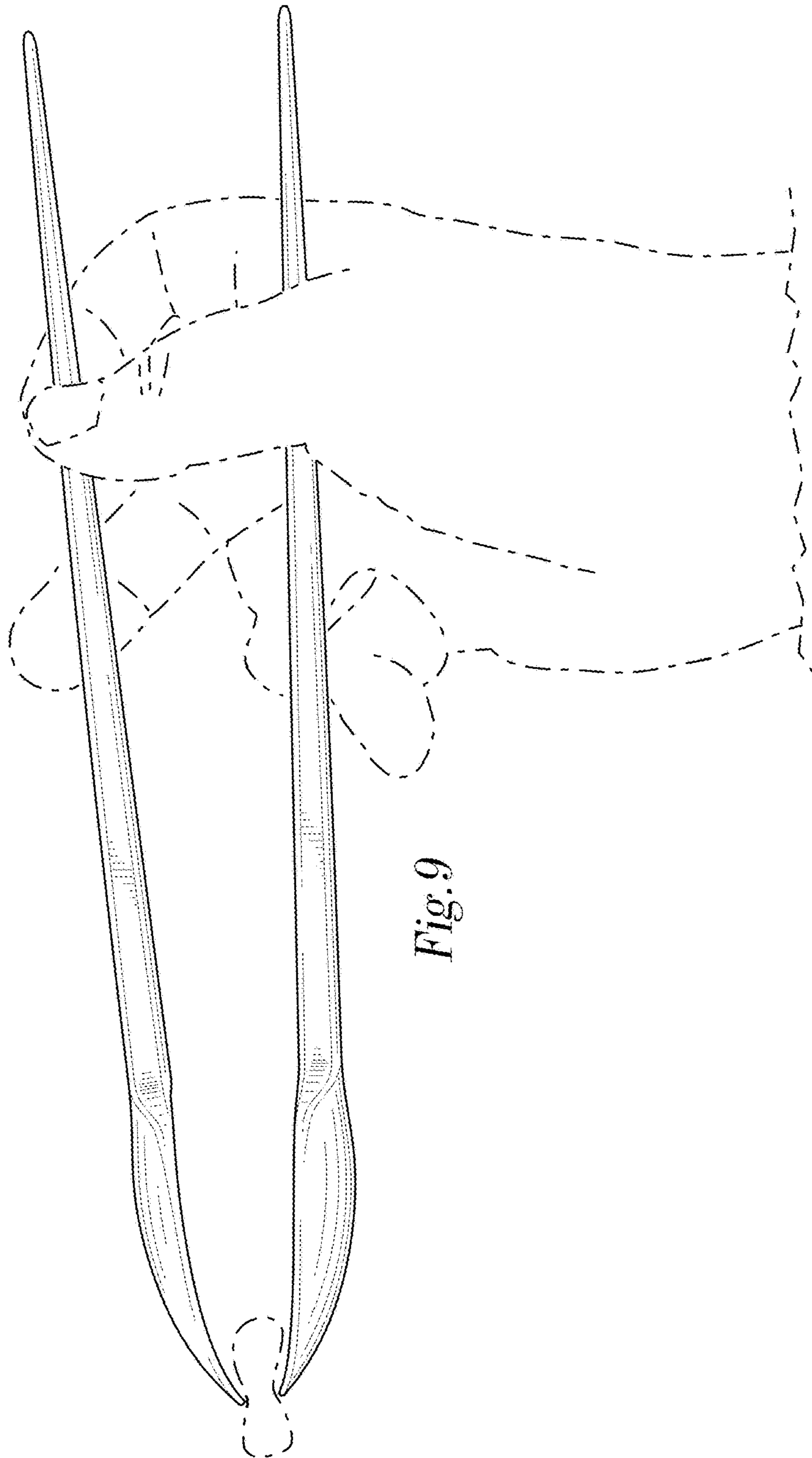


Fig. 9

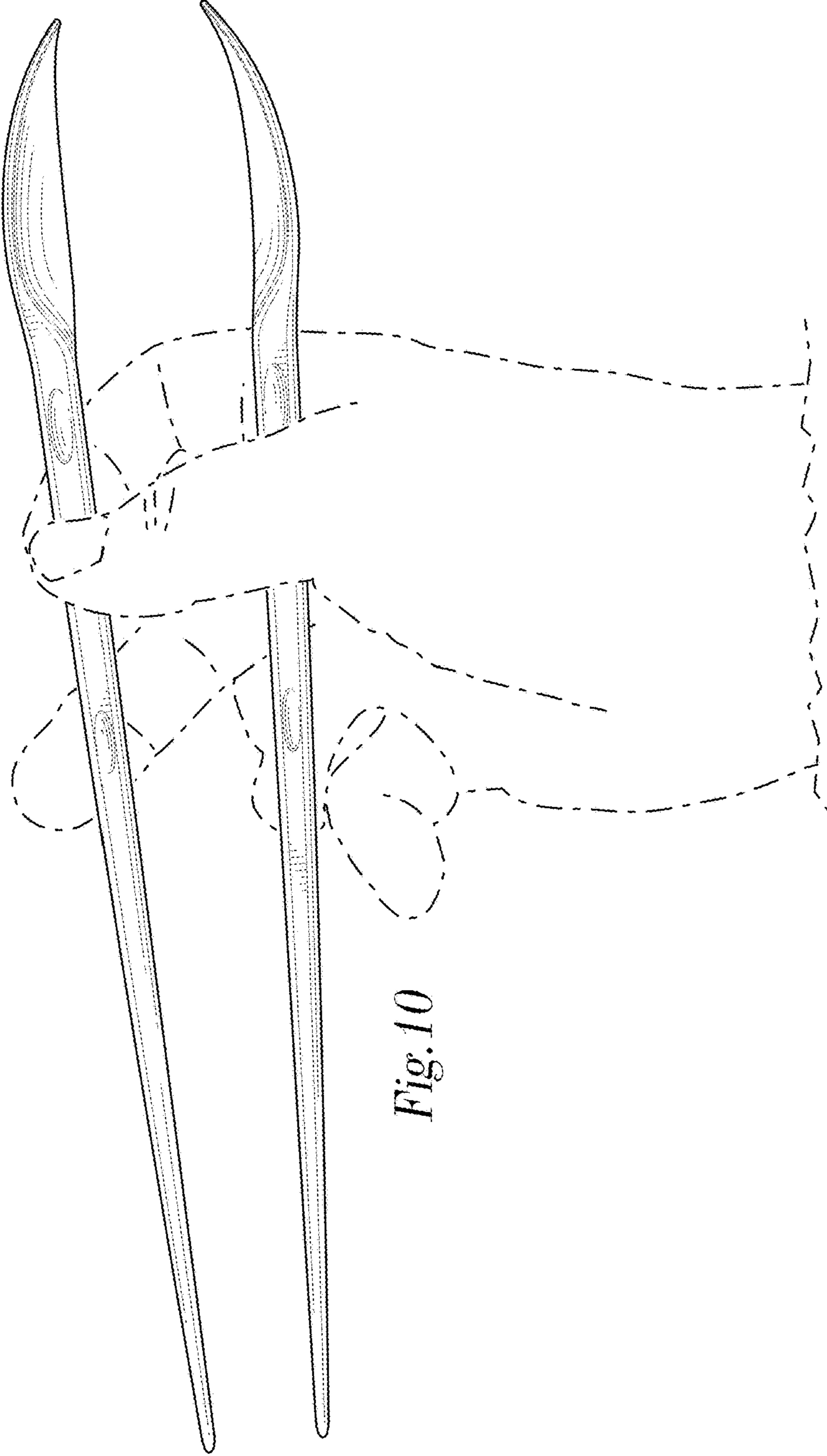


Fig. 10

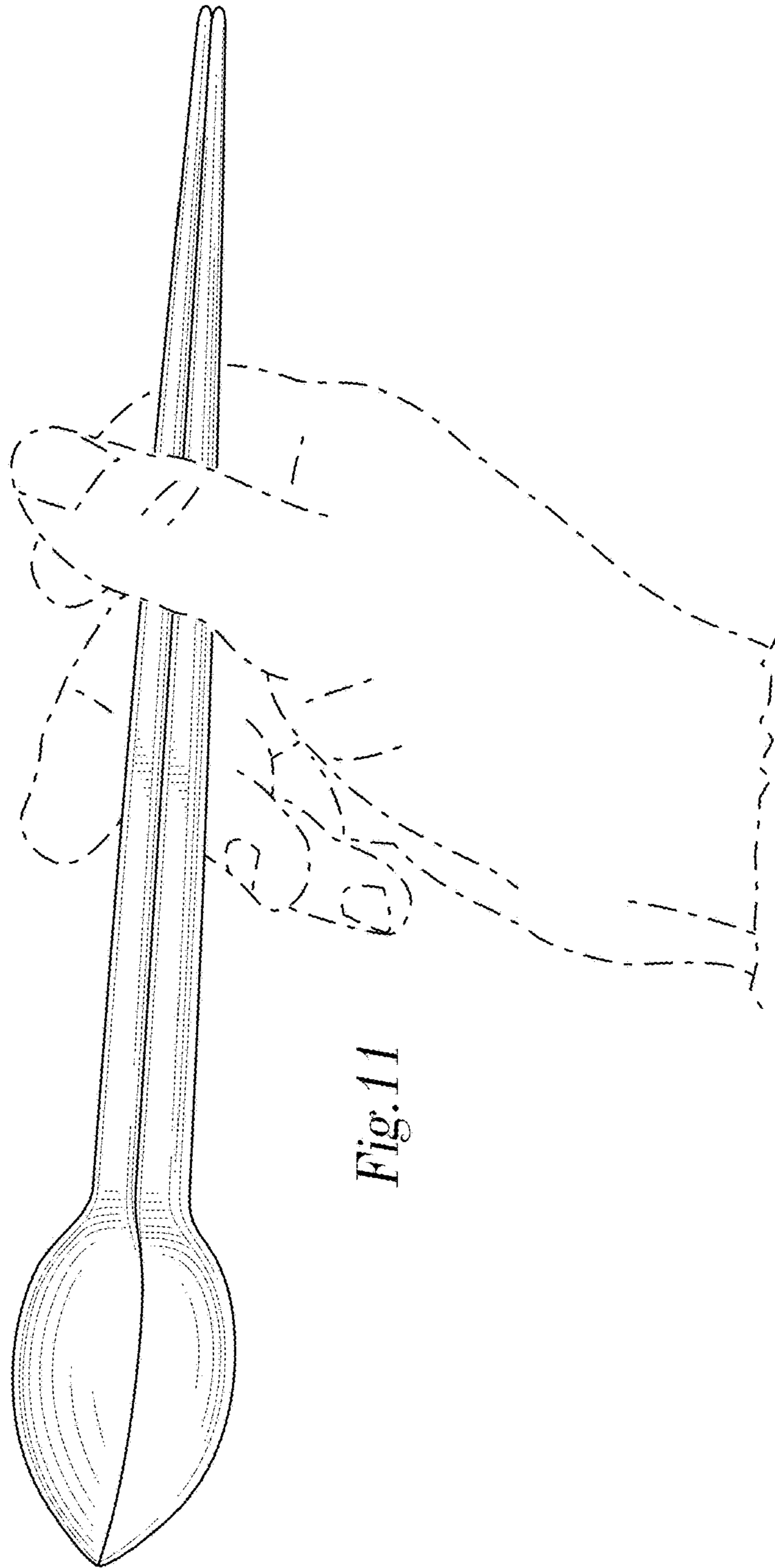


Fig. 11