

US00D862994S

(12) **United States Design Patent** (10) **Patent No.:** **US D862,994 S**
Kraemer (45) **Date of Patent:** **** Oct. 15, 2019**

(54) **BOX**
(71) Applicant: **InterDesign, Inc.**, Solon, OH (US)
(72) Inventor: **Kevin Francis Kraemer**, Chagrin Falls, OH (US)
(73) Assignee: **InterDesign, Inc.**, Solon, OH (US)
(**) Term: **15 Years**
(21) Appl. No.: **29/624,081**
(22) Filed: **Oct. 30, 2017**

B65D 5/009; B65D 5/18; B65D 7/00;
B65D 7/02; B65D 11/00; B65D 11/02;
B65D 11/10; B65D 39/00; A47J 47/02;
A47J 47/08; A47J 47/10; A47G 19/00
See application file for complete search history.

(56) **References Cited**

U.S. PATENT DOCUMENTS

D304,008 S *	10/1989	Hornung	D3/271.5
D682,052 S *	5/2013	Thomas	D7/629
D767,950 S *	10/2016	Kraemer	D7/629
2014/0332527 A1 *	11/2014	Judd	A45C 11/20 220/4.21

* cited by examiner

Primary Examiner — Wan Laymon
Assistant Examiner — Mark Booker
(74) *Attorney, Agent, or Firm* — Calfee, Halter & Griswold, LLP

Related U.S. Application Data

(63) Continuation of application No. 29/511,184, filed on Dec. 8, 2014, now Pat. No. Des. 801,077, which is a continuation-in-part of application No. 14/513,474, filed on Oct. 14, 2014, now abandoned, and a continuation-in-part of application No. 29/456,031, filed on May 28, 2013, now Pat. No. Des. 724,900, which is a continuation-in-part of application No. 29/444,254, filed on Jan. 29, 2013, now Pat. No. Des. 698,612.

(51) **LOC (12) Cl.** **07-07**

(52) **U.S. Cl.**
USPC **D7/629**

(58) **Field of Classification Search**
USPC D6/566; D7/538–542, 601, 602, 629, D7/630; D9/415–419, 424–432; 206/541–548, 216, 217; 220/4.21, 4.24, 220/236, 326, 573.1, 574–575, 780, 220/789–794, 801, 802; D3/276–284, D3/291, 294, 295, 302, 304, 307–309, D3/315, 314, 310, 312
CPC .. B65D 1/26; B65D 43/0206; B65D 43/0214; B65D 43/00; B65D 1/00; B65D 1/22; B65D 1/32; B65D 1/14; B65D 1/24; B65D 1/34; B65D 3/00; B65D 3/02; B65D 3/28; B65D 5/00; B65D 5/0085;

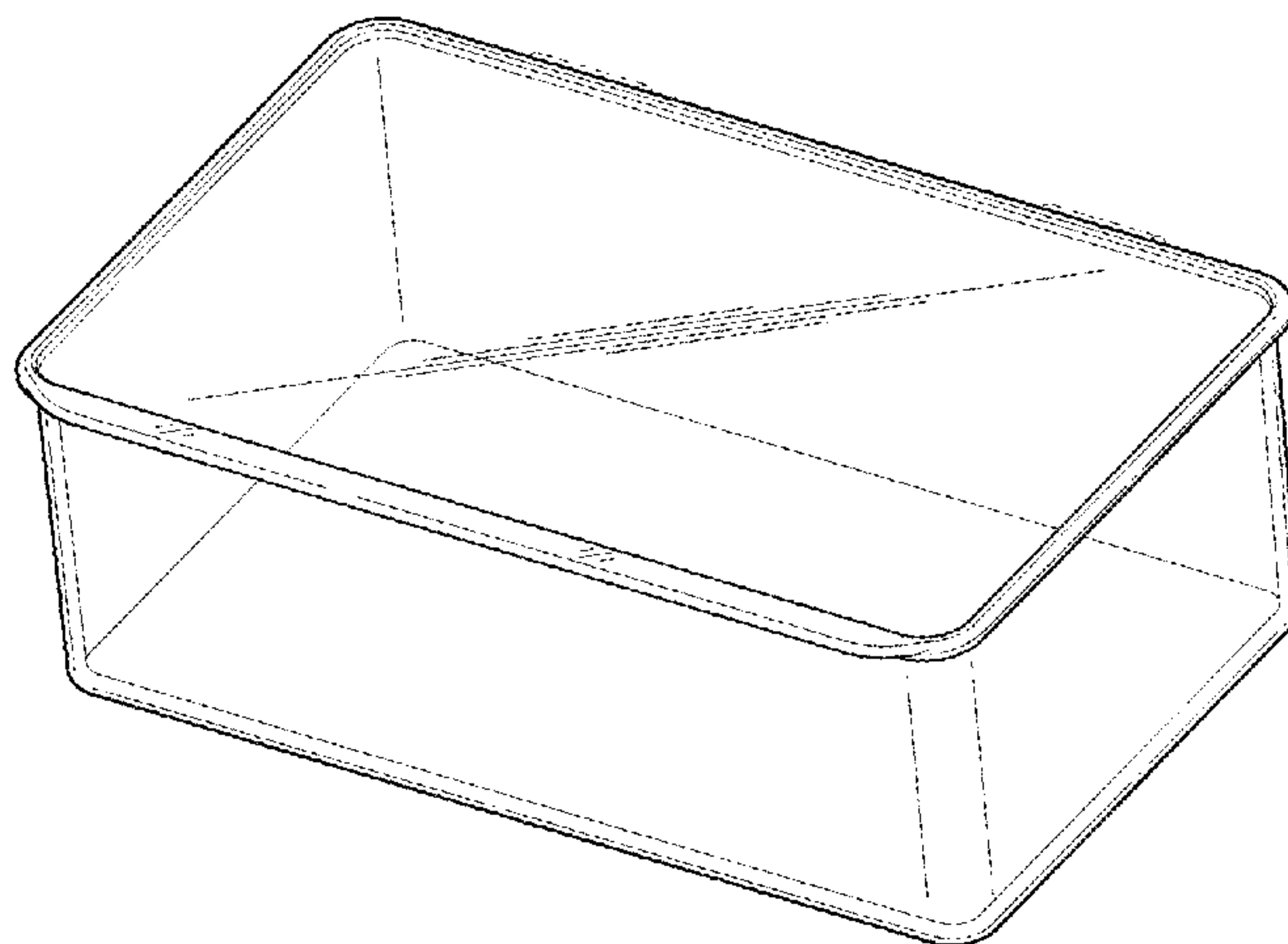
(57) **CLAIM**

I claim the ornamental design for a box, as shown and described.

DESCRIPTION

FIG. 1 is a front/right/top perspective view of a box, the front/left/top perspective view is a mirror image thereof; FIG. 2 is a rear/left/bottom perspective view, the rear/right/bottom perspective view is a mirror image thereof; FIG. 3 is a front elevational view thereof; FIG. 4 is a right side elevational view thereof, a left side elevational view would be a mirror image thereof; FIG. 5 is a top plan view thereof; and, FIG. 6 is a rear elevational view thereof. The broken lines shown in the figures represent portions of the box that form no part of the claimed design.

1 Claim, 4 Drawing Sheets



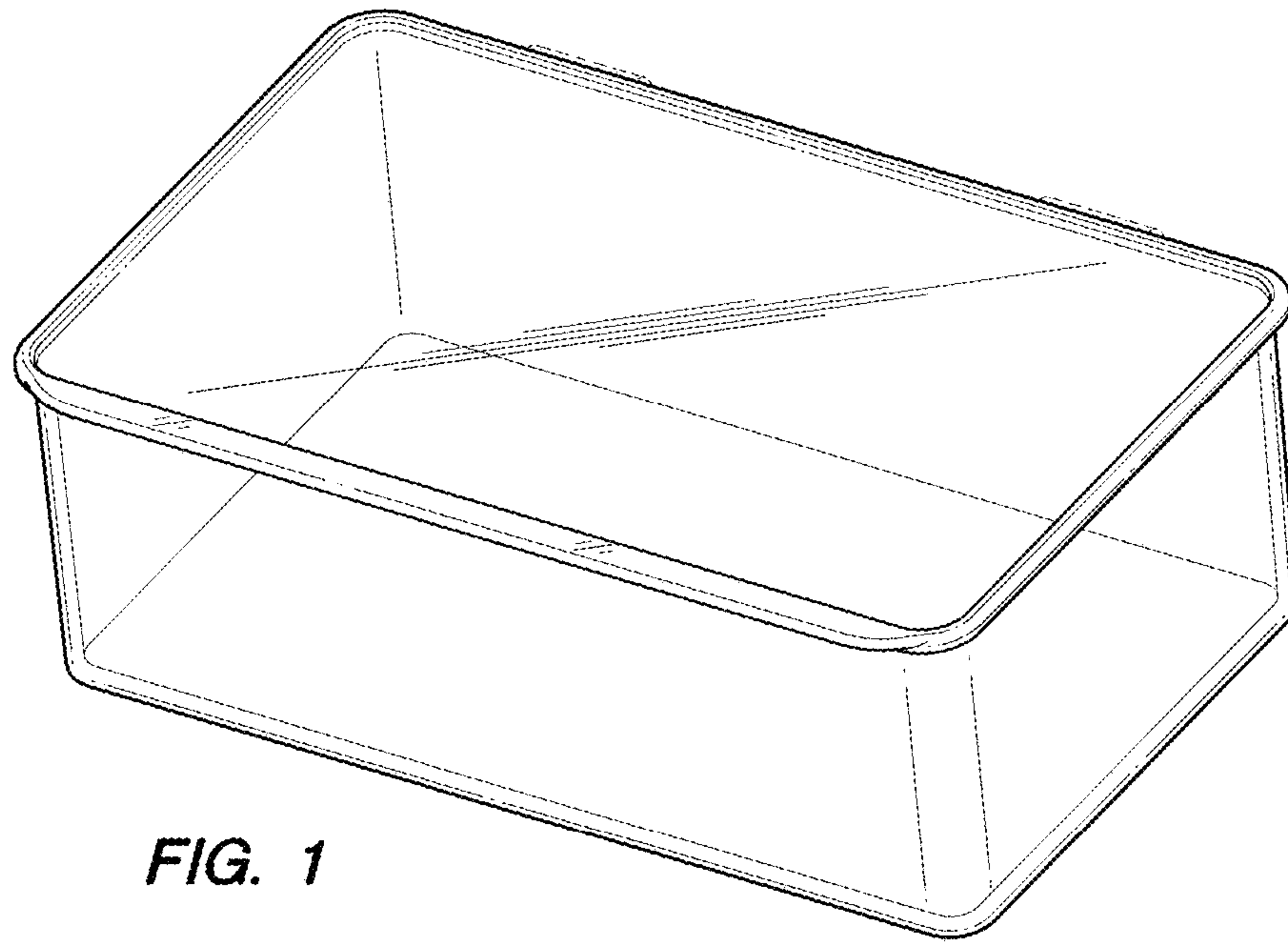


FIG. 1

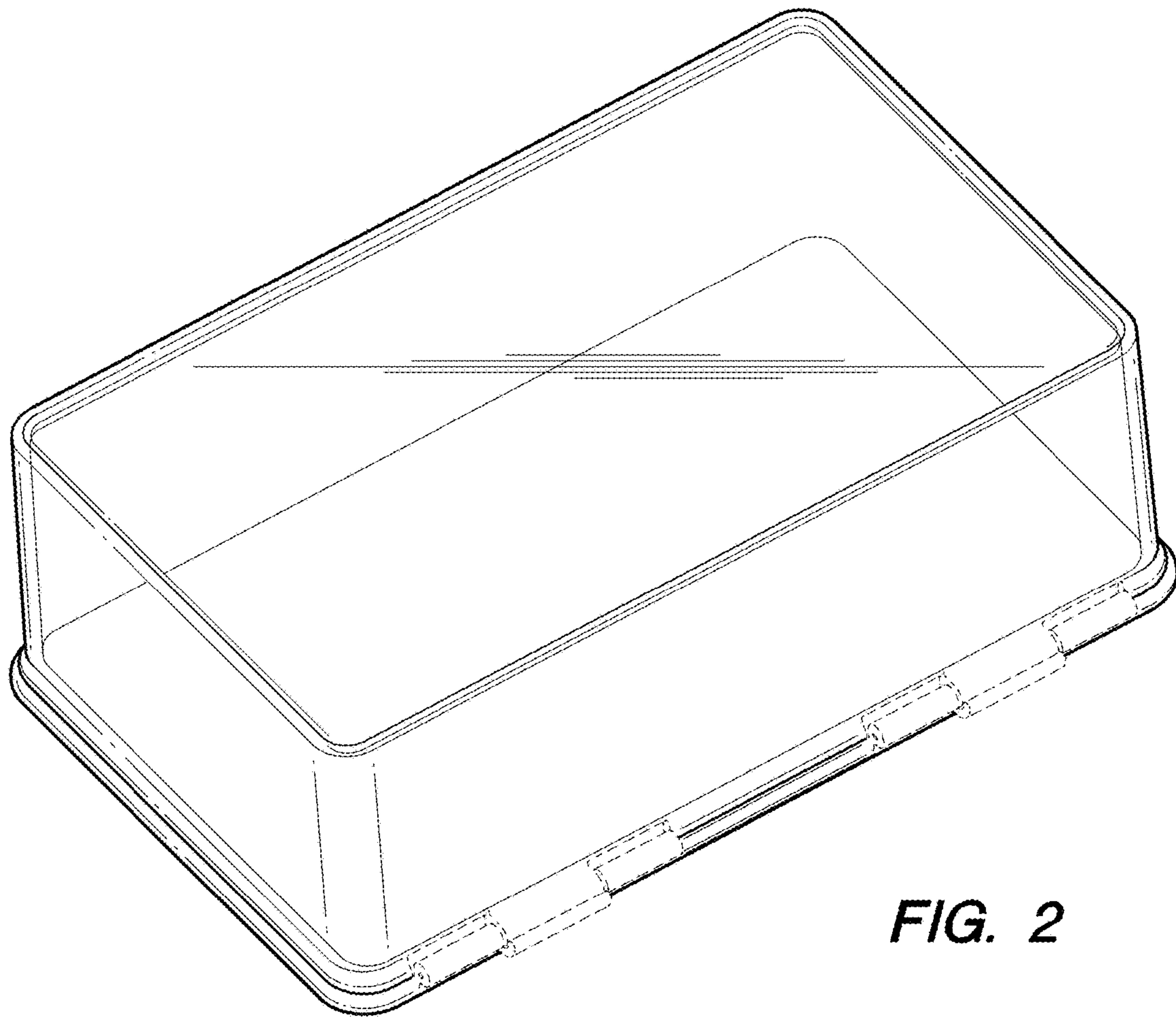


FIG. 2

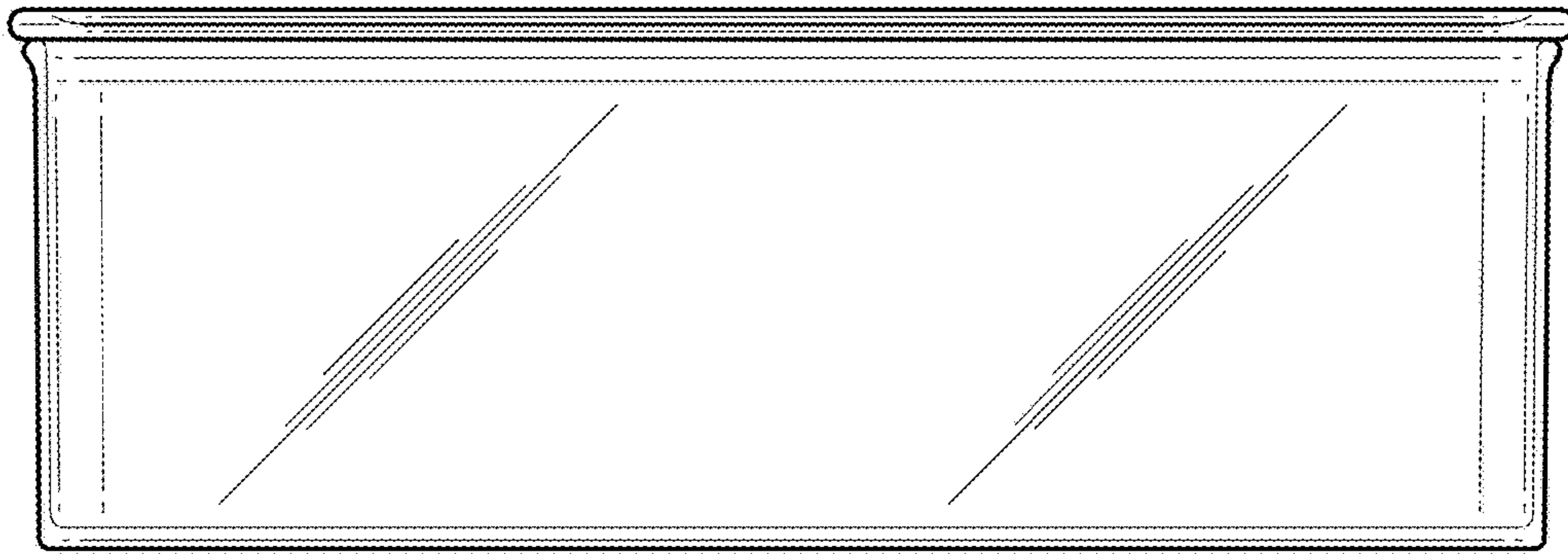


FIG. 3

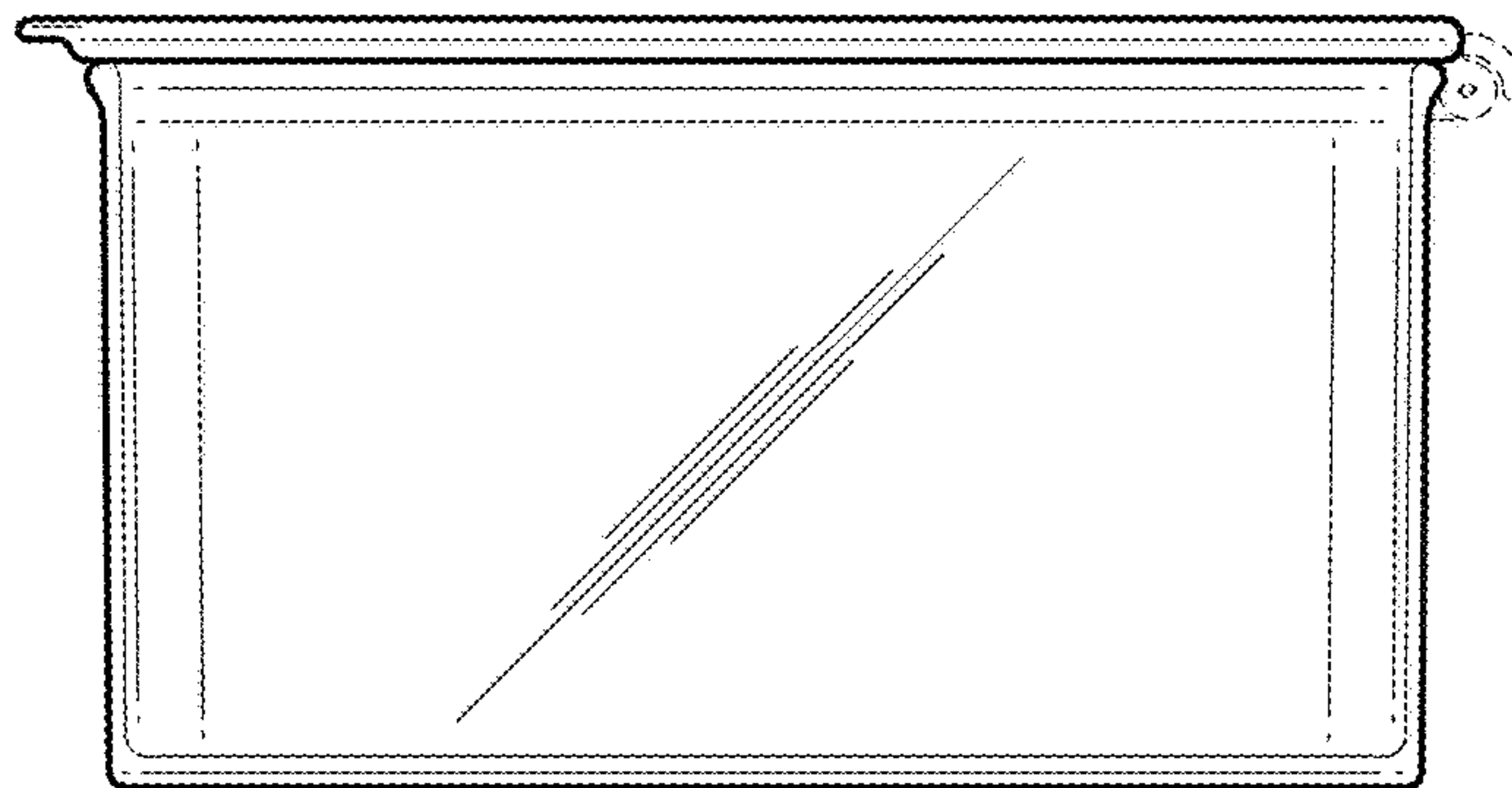


FIG. 4

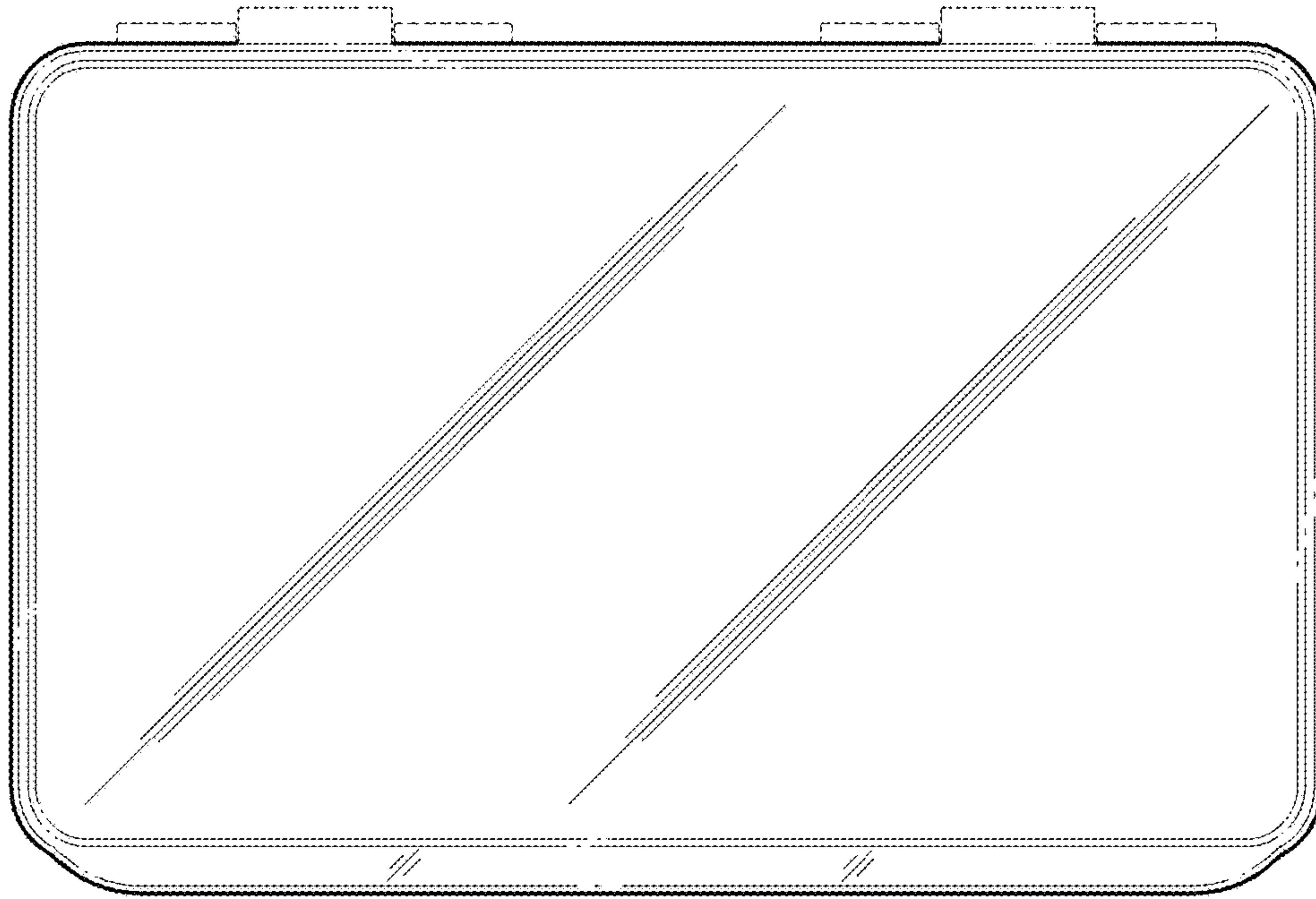


FIG. 5

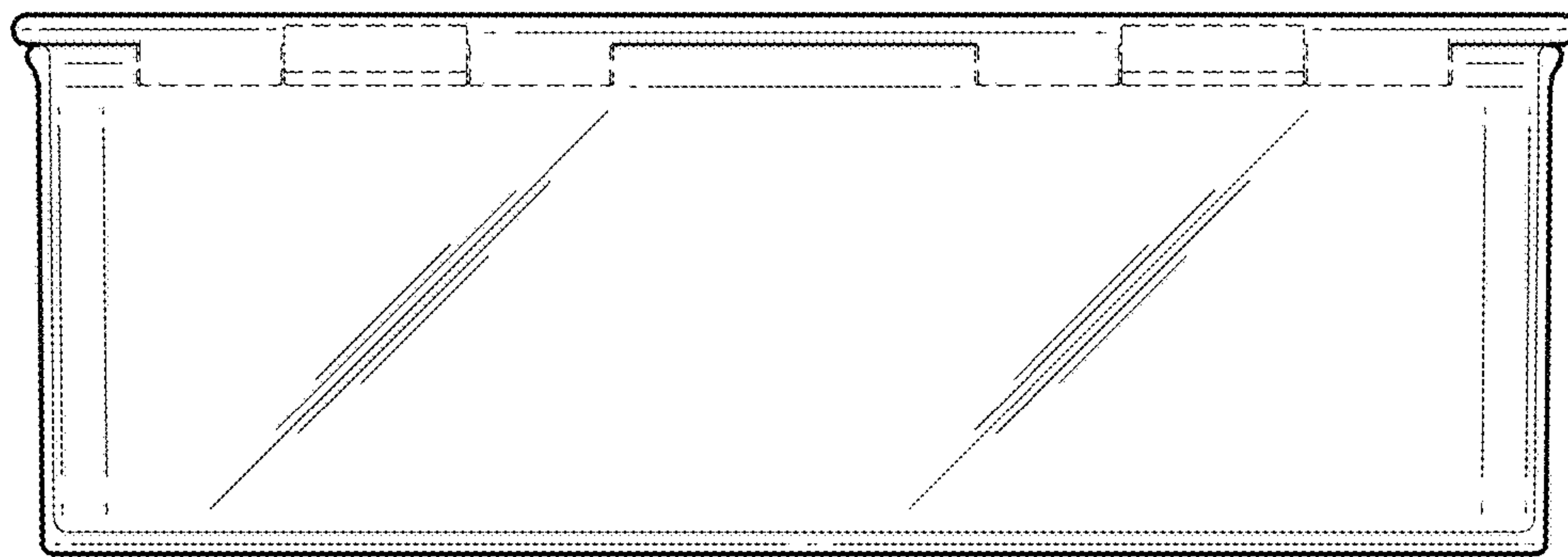


FIG. 6