



US00D862993S

(12) **United States Design Patent** (10) **Patent No.:** **US D862,993 S**
Allsop (45) **Date of Patent:** **** Oct. 15, 2019**

(54) **BOTTLE INSULATOR** 4,510,769 A * 4/1985 McClellan, Jr. ... B65D 81/3879
215/12.1
(71) Applicant: **HPMA Pty. Ltd.**, Noosaville (AU) 4,823,974 A * 4/1989 Crosser A47G 19/2288
206/545
(72) Inventor: **Michael Allsop**, Noosaville (AU) 5,417,327 A * 5/1995 Saumure B65D 21/0228
206/427
(73) Assignee: **HPMA Pty. Ltd.**, Noosaville (AU) D409,451 S * 5/1999 Kato D7/608
D410,821 S * 6/1999 Huang D7/608
D459,637 S * 7/2002 Tardif D7/608
(**) Term: **15 Years** 6,604,649 B1 * 8/2003 Campi B65D 81/3886
220/592.17
(21) Appl. No.: **29/634,864** D557,994 S * 12/2007 Wahl D7/608
9,505,527 B1 * 11/2016 Campbell B65D 41/04
9,637,270 B2 5/2017 Campbell
2009/0255941 A1 * 10/2009 Kuntz B65D 23/0885
220/592.17

(51) **LOC (12) Cl.** **07-01**
(52) **U.S. Cl.**
USPC **D7/608**

(58) **Field of Classification Search**
USPC D7/605-608, 619.1-625, 509-511;
D9/500-505, 537, 522, 558, 516, 532,
D9/443
CPC A47G 23/0216; A47G 23/0258; A47G
19/2205; A47G 19/2288; A47G 19/2272;
F17C 13/001; B65D 81/3823; B65D
81/3818; B65D 81/3846; B65D 81/3837;
B65D 81/3839; B65D 81/3841; B65D
81/3844; B65D 81/3876; B65D 81/3879;
B65D 81/3883; B65D 81/3888; B65D
81/3886; B65D 1/0215; B65D 21/0228;
B65D 23/0885; B65D 41/04; B65D 1/06;
F25D 3/08; F25D 3/14; F25D 2331/804;
A47J 42/02; A47J 41/0077; A47J 41/02;
A47J 41/022; A47J 41/024; A47J 41/026;
A47J 41/028; A47J 41/00; A47J 43/27;
A45C 11/20; B44C 1/18; A45F 3/16
See application file for complete search history.

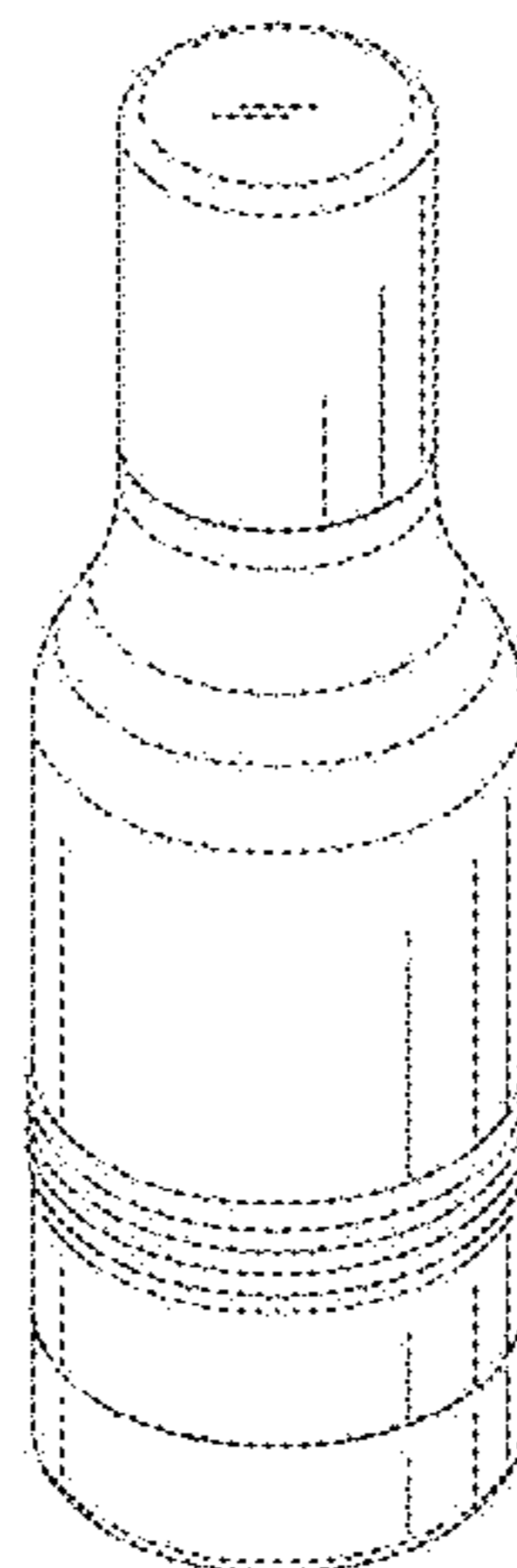
(56) **References Cited**
U.S. PATENT DOCUMENTS
3,229,840 A * 1/1966 Filleul B65D 1/06
215/12.1
3,779,298 A * 12/1973 Piccirilli B44C 1/18
206/499

* cited by examiner
Primary Examiner — Terry A Wallace
(74) *Attorney, Agent, or Firm* — Bingham Greenebaum
Doll LLP; Brian W. Chellgren

(57) **CLAIM**
The ornamental design for a bottle insulator, as shown and
described.

DESCRIPTION
FIG. 1 is a side perspective view of a bottle insulator;
FIG. 2 is a side elevational view thereof;
FIG. 3 is a top plan view thereof;
FIG. 4 is a bottom plan view thereof; and,
FIG. 5 is a side perspective exploded view thereof.
In the drawings, the broken lines depict environmental
subject matter only and form no part of the claimed design.

1 Claim, 4 Drawing Sheets



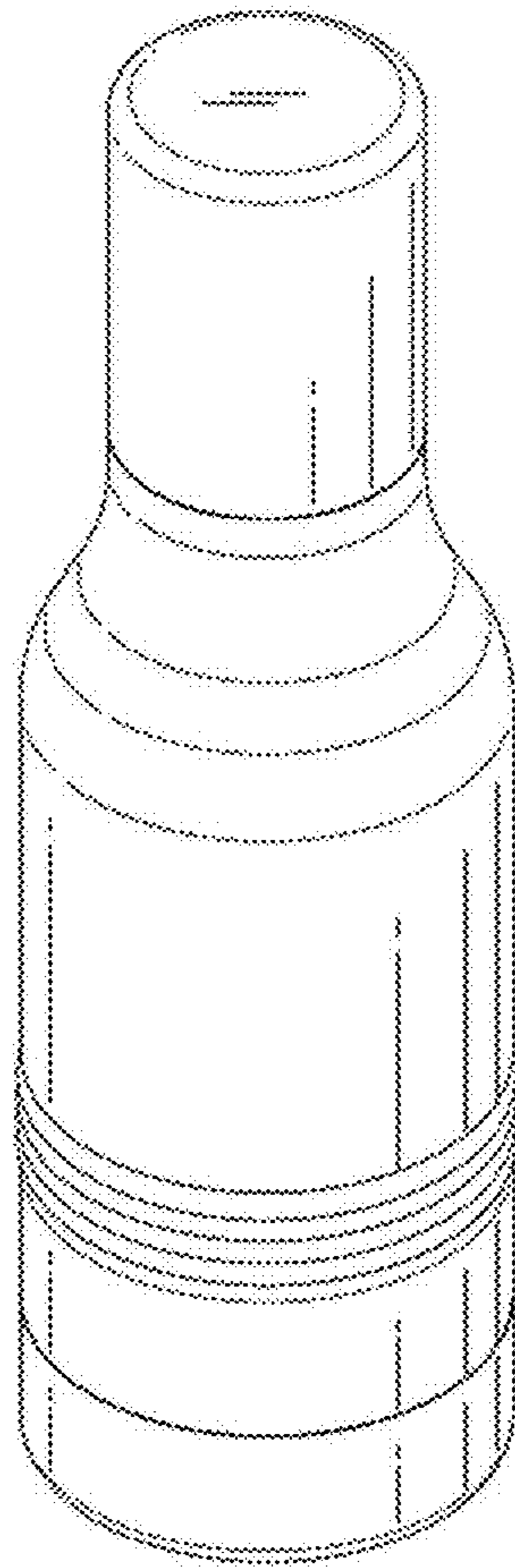


FIG. 1

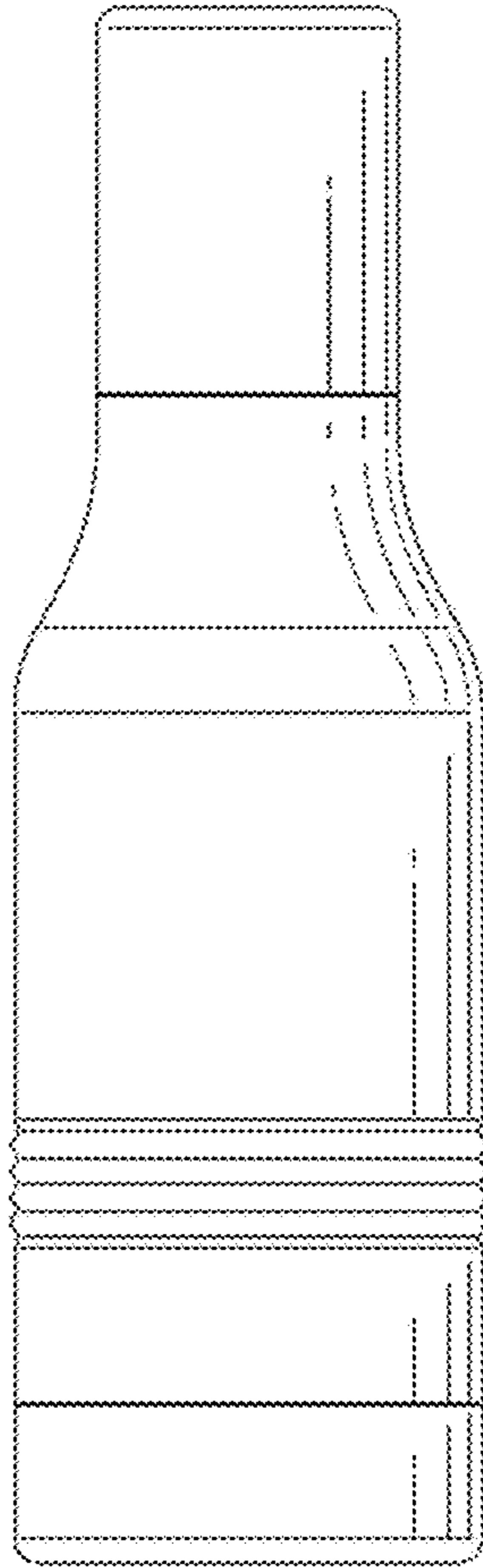


FIG. 2

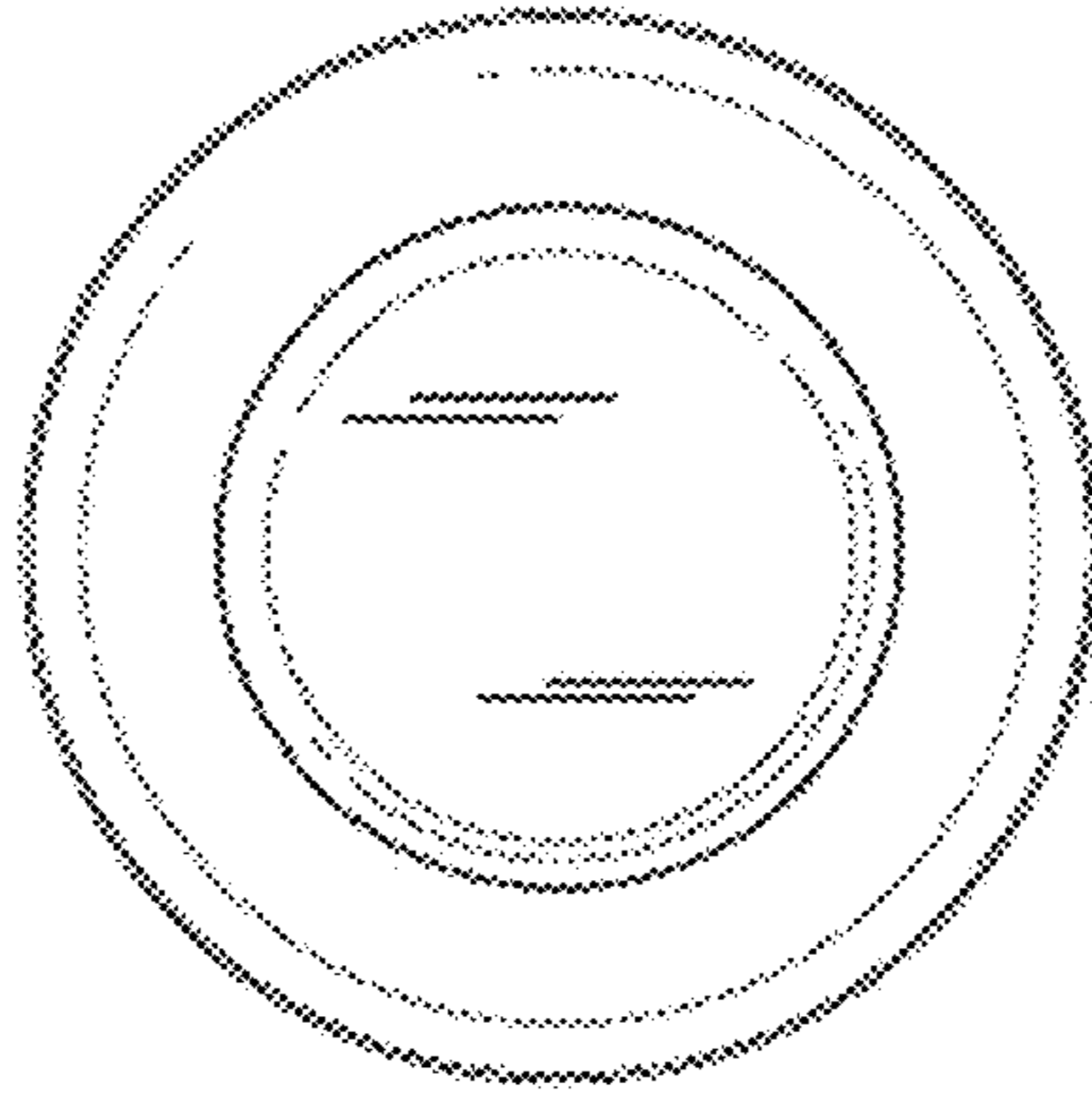


FIG. 3

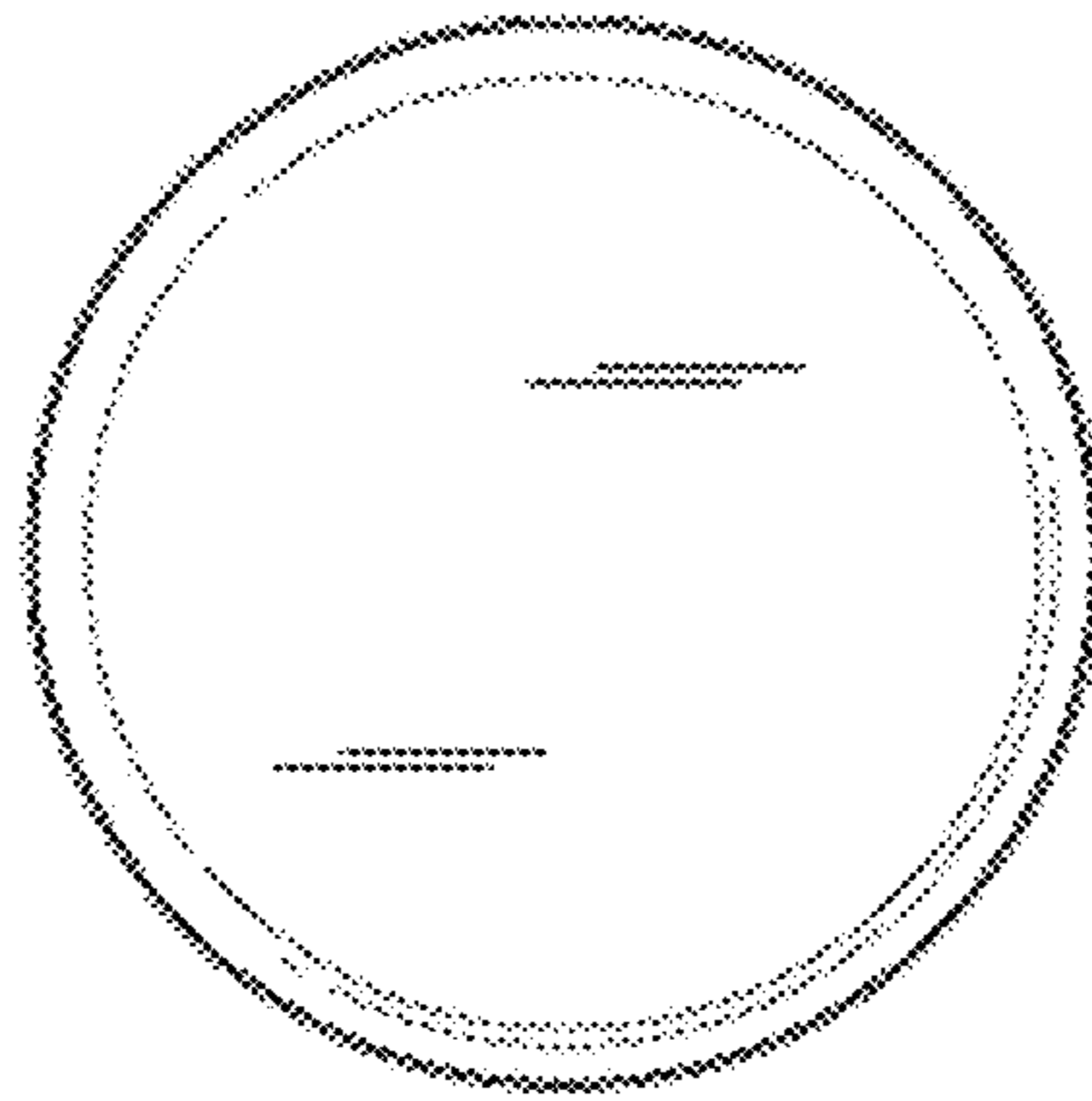


FIG. 4

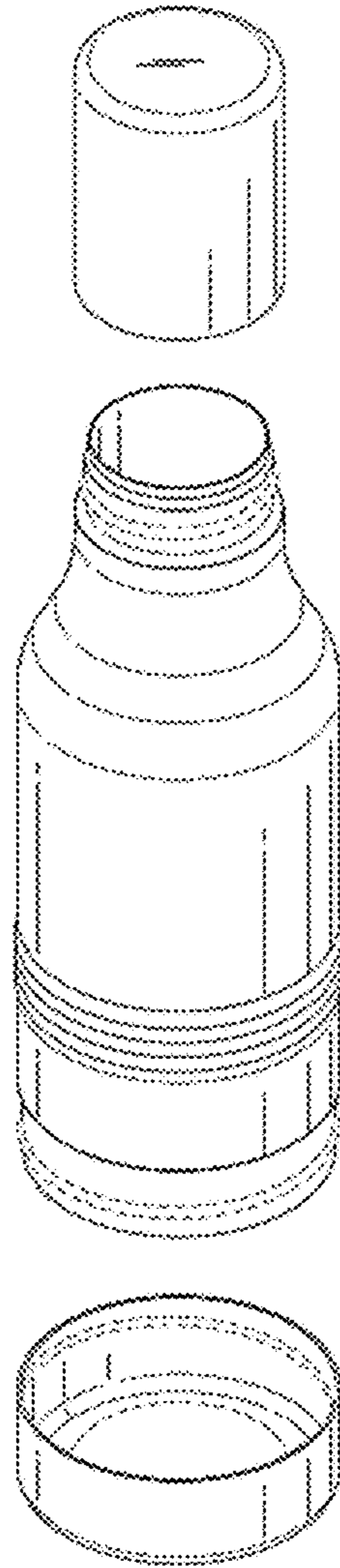


FIG. 5