



US00D862991S

(12) **United States Design Patent** (10) **Patent No.:** **US D862,991 S**
LaMance et al. (45) **Date of Patent:** **** Oct. 15, 2019**

(54) **MULTIPACK BEVERAGE CONTAINER INSULATION SYSTEM**

- (71) Applicant: **Kanga, LLC**, Taylors, SC (US)
- (72) Inventors: **Logan T. LaMance**, Pickens, SC (US);
Daniel Delegatti, Greenville, SC (US);
Joseph M. Wilson, Columbia, SC (US);
Shea Doonan, Rochester, MA (US);
Ryan D. Frazier, Taylors, SC (US);
Austin Maxwell, Atlanta, GA (US);
Edward Giard, Jr., Severna Park, MD (US);
Edward Giard, III, Severna Park, MD (US)
- (73) Assignee: **Kanga, LLC**, Taylor, SC (US)
- (**) Term: **15 Years**
- (21) Appl. No.: **29/647,117**
- (22) Filed: **May 9, 2018**

Related U.S. Application Data

- (63) Continuation of application No. 15/903,678, filed on Feb. 23, 2018.
- (51) **LOC (12) Cl.** **07-01**
- (52) **U.S. Cl.**
USPC **D7/607; D3/301**
- (58) **Field of Classification Search**
USPC D7/605-607, 709, 710, 629; D3/273, D3/276, 289, 291, 301
CPC F25D 2331/804; F25D 3/08; F25D 3/06; B65D 30/08; B65D 81/3858; B65D 81/3823; B65D 81/3888; B65D 8/18; B65D 81/3897; B65D 81/3886; B65D 81/3834; B65D 81/3893; B65D 31/04; B65D 25/2858; B65D 25/2873; A45C 11/20

See application file for complete search history.

(56) **References Cited**

U.S. PATENT DOCUMENTS

3,285,455 A	11/1966	Bernard	
3,848,766 A	11/1974	Gantt et al.	
4,266,407 A *	5/1981	Gibson	A45C 11/20 206/545
4,293,015 A	10/1981	McGough	
4,721,237 A *	1/1988	Leslie	A45C 11/20 150/901
4,773,515 A *	9/1988	Kotkins, Jr.	A45C 7/0068 190/103
4,858,444 A	8/1989	Scott	

(Continued)

Primary Examiner — Terry A Wallace

(74) *Attorney, Agent, or Firm* — Kim and Lahey Law Firm LLC; Douglas W. Kim

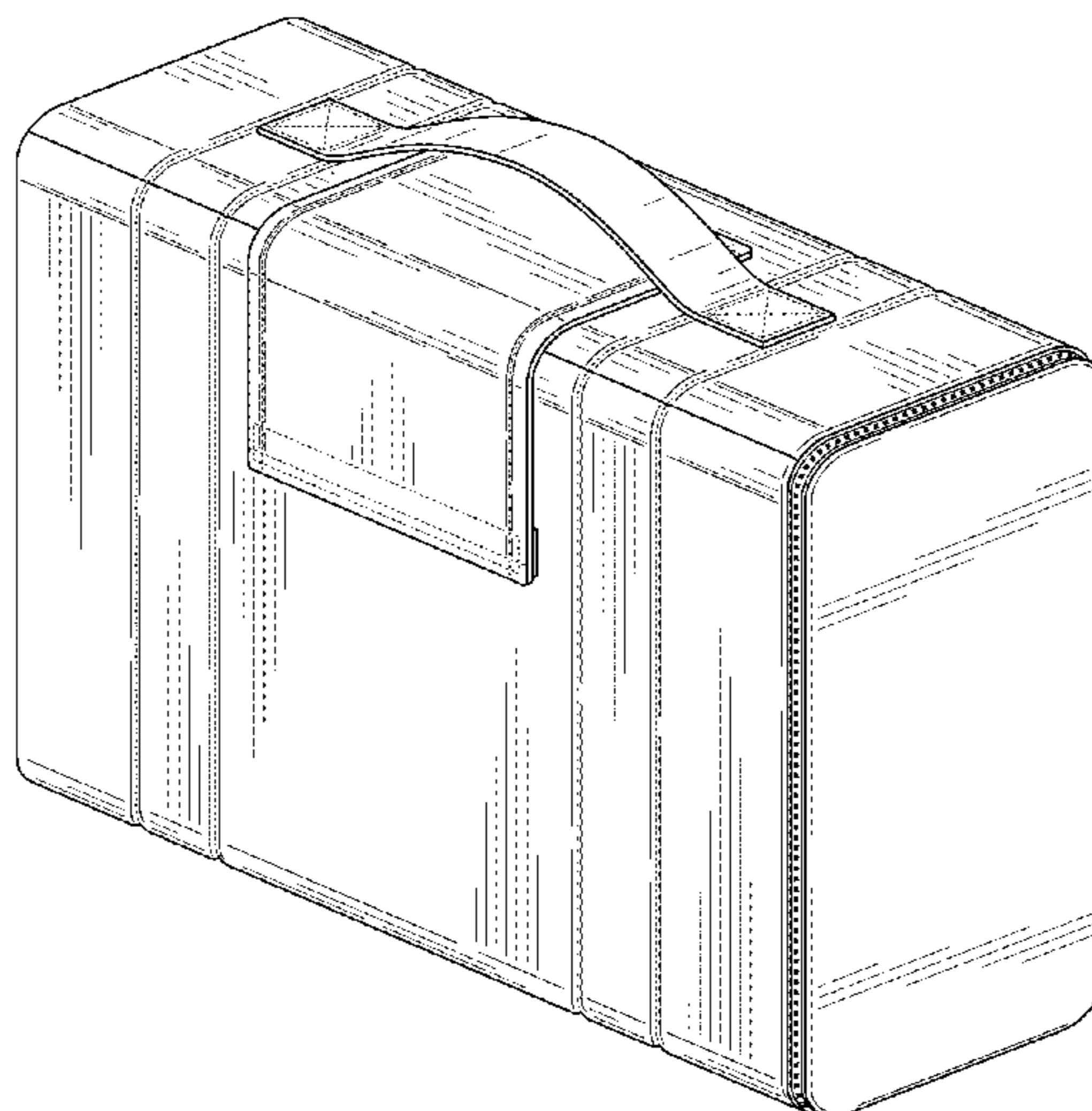
(57) **CLAIM**

The ornamental design for a multipack beverage container insulation system, as shown and described.

DESCRIPTION

FIG. 1 is a perspective view of the multipack beverage container insulation system;
 FIG. 2 is a front side view I of the multipack beverage container insulation system;
 FIG. 3 is a rear side view of the multipack beverage container insulation system;
 FIG. 4 is a first end view of the multipack beverage container insulation system;
 FIG. 5 is a top view of the multipack beverage container insulation system;
 FIG. 6 is a bottom view of the multipack beverage container insulation system; and,
 FIG. 7 is a perspective view of a second end of the multipack beverage container insulation system.
 The broken lines illustrate stitching of the multipack beverage container insulation system and forms no part of the claimed design.

1 Claim, 6 Drawing Sheets



(56)

References Cited

U.S. PATENT DOCUMENTS

5,007,250 A * 4/1991 Musielak A45C 11/20
383/29
5,533,361 A * 7/1996 Halpern B62B 3/1464
62/371
6,059,140 A 5/2000 Hicks
6,109,059 A * 8/2000 Lebrun A45C 11/20
221/150 R
6,109,069 A 8/2000 Lebrun
6,427,475 B1 * 8/2002 DeFelice F25D 3/08
62/457.2
7,344,028 B2 * 3/2008 Hanson A45C 11/20
206/545
8,005,717 B2 8/2011 Joo
D644,890 S * 9/2011 Meyer D7/607
D644,891 S * 9/2011 Meyer D7/607
9,139,352 B2 9/2015 Seiders et al.
D845,625 S * 4/2019 Barlier D3/283
2008/0047967 A1 2/2008 Brunner et al.
2014/0209621 A1 7/2014 Irish

* cited by examiner

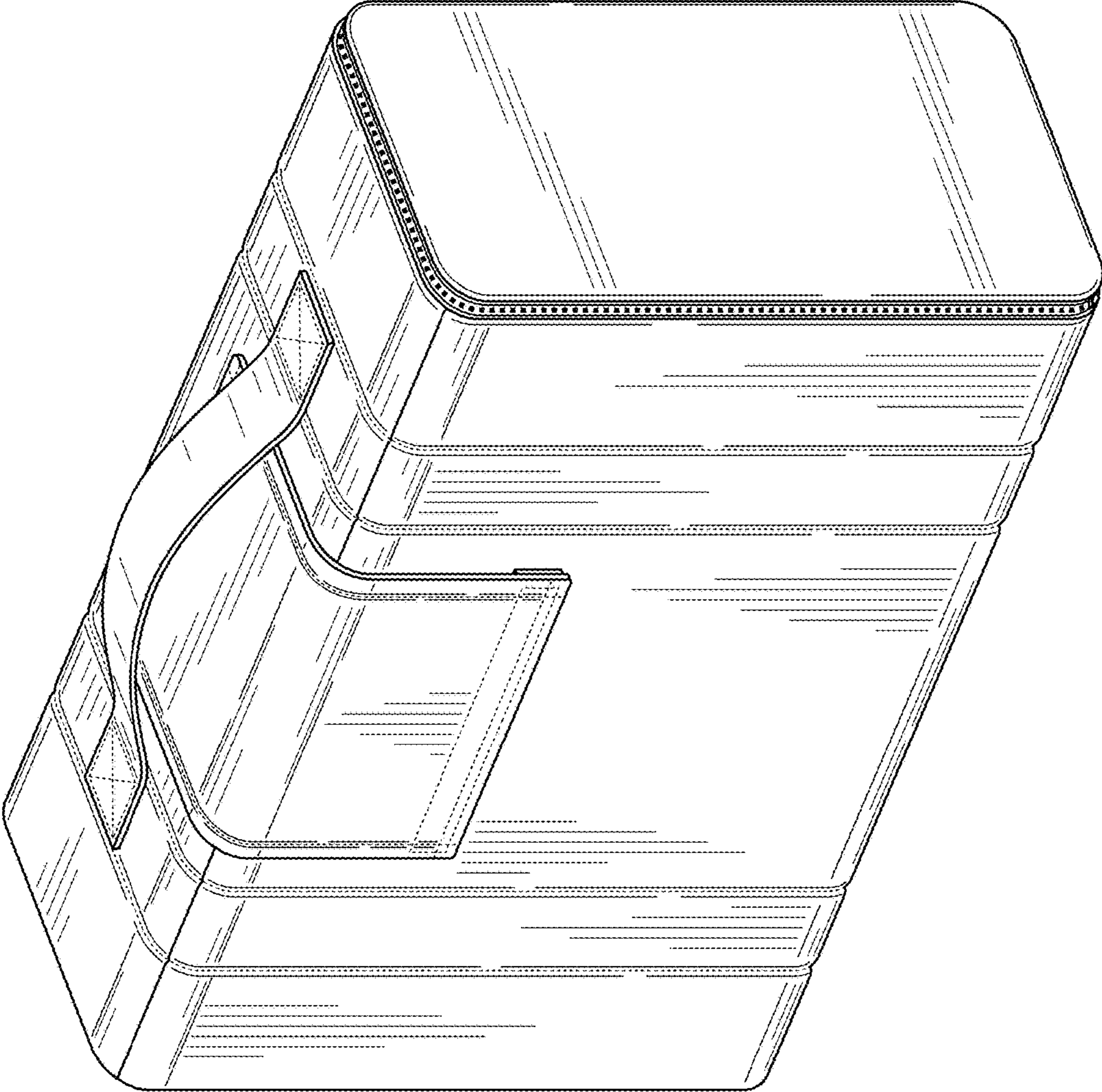


FIG. 1

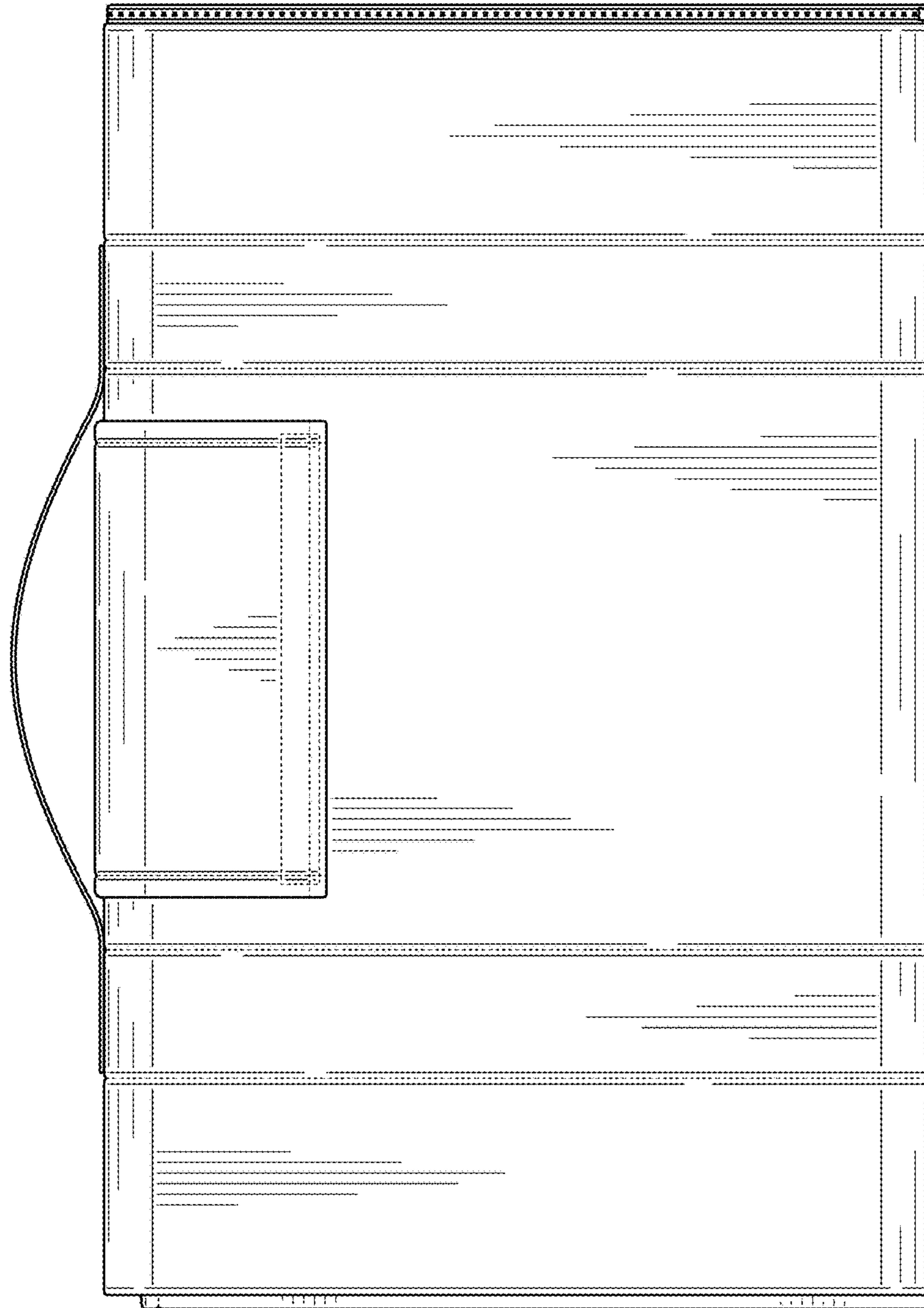


FIG. 2

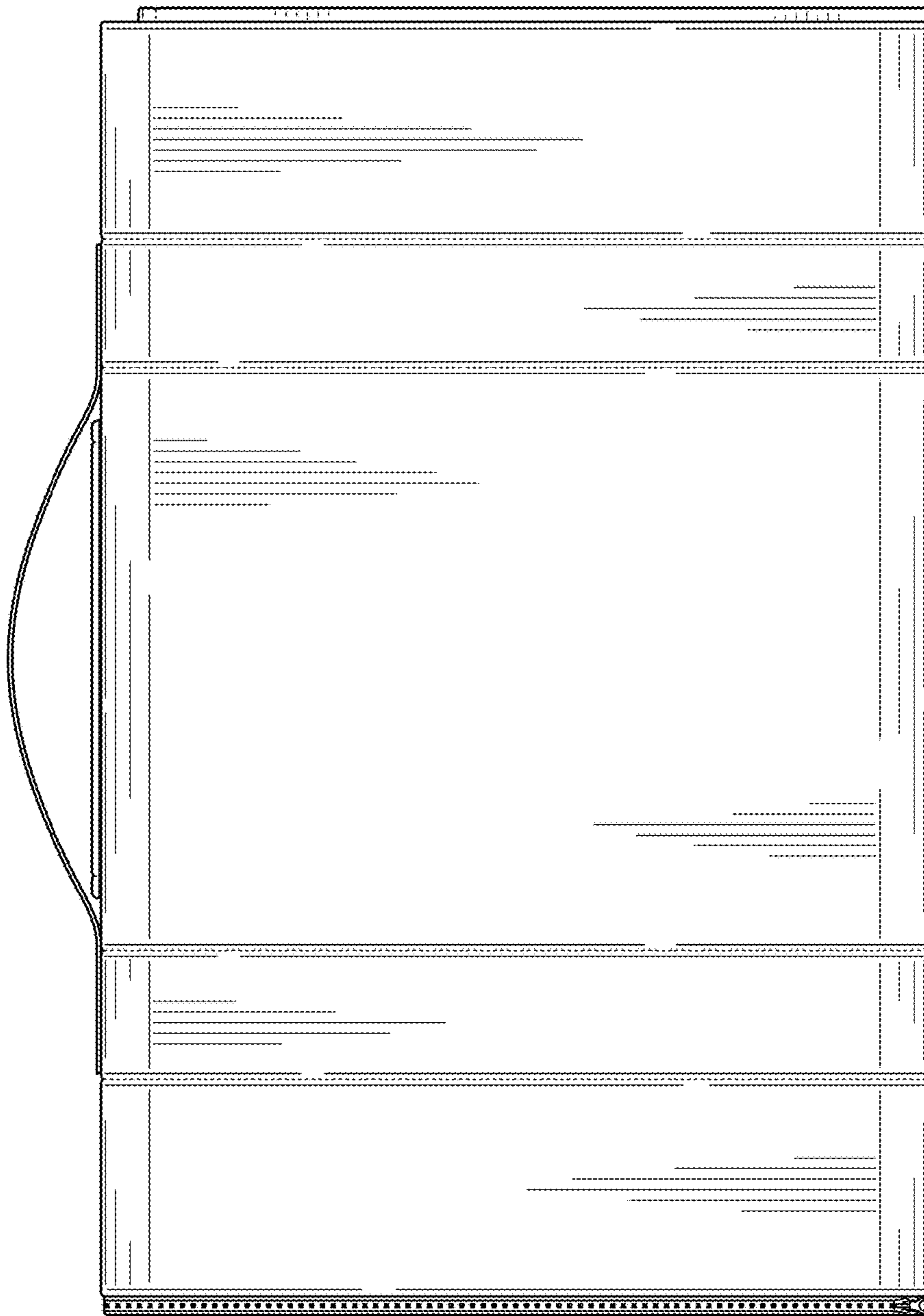


FIG. 3



FIG. 4

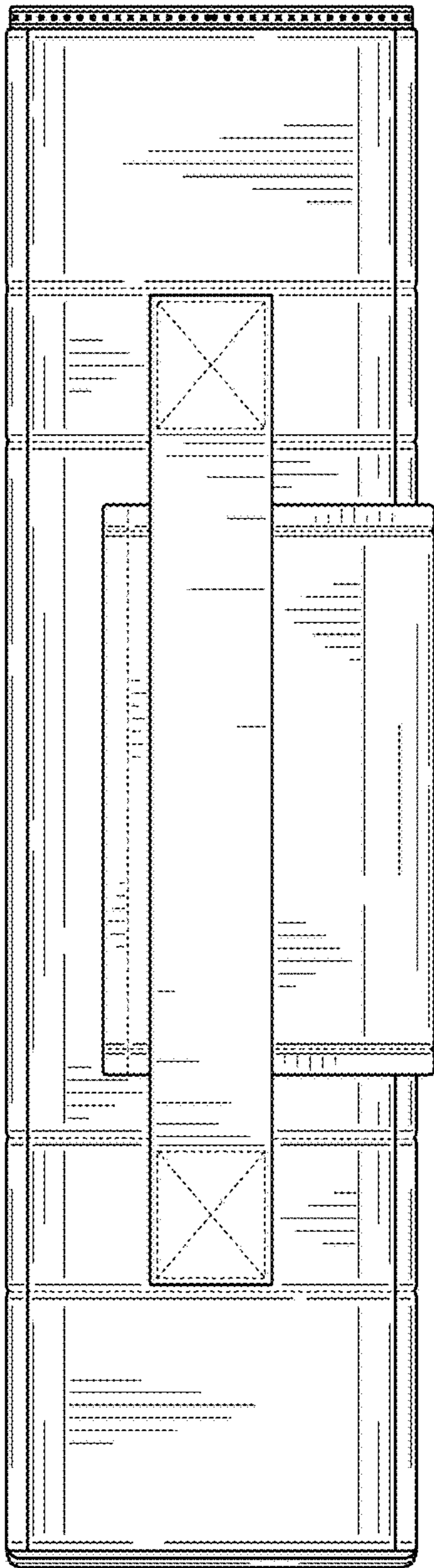


FIG. 5

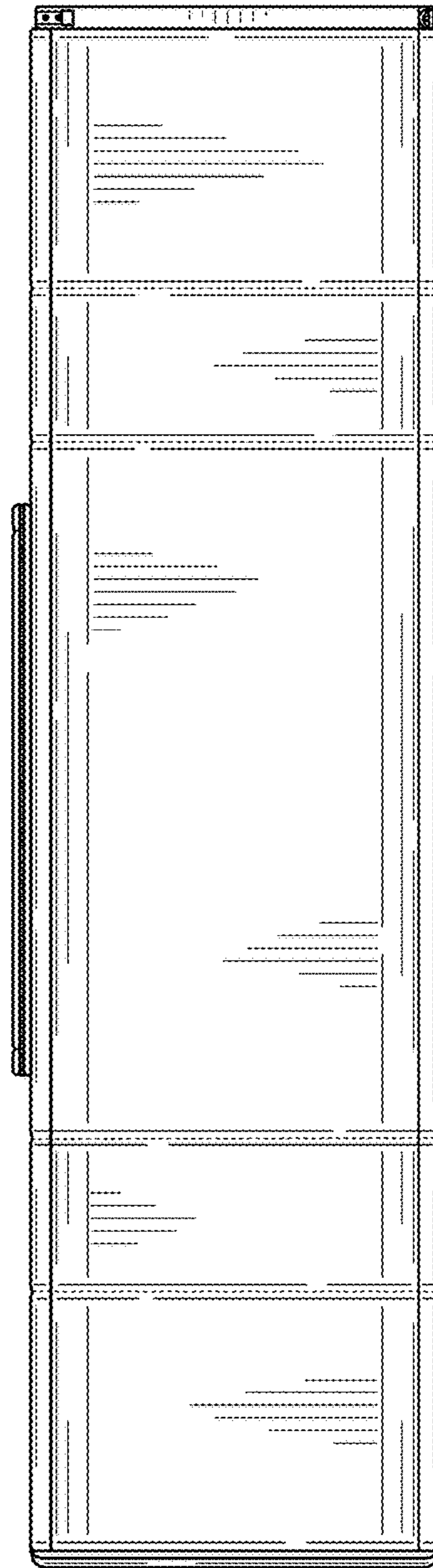


FIG. 6

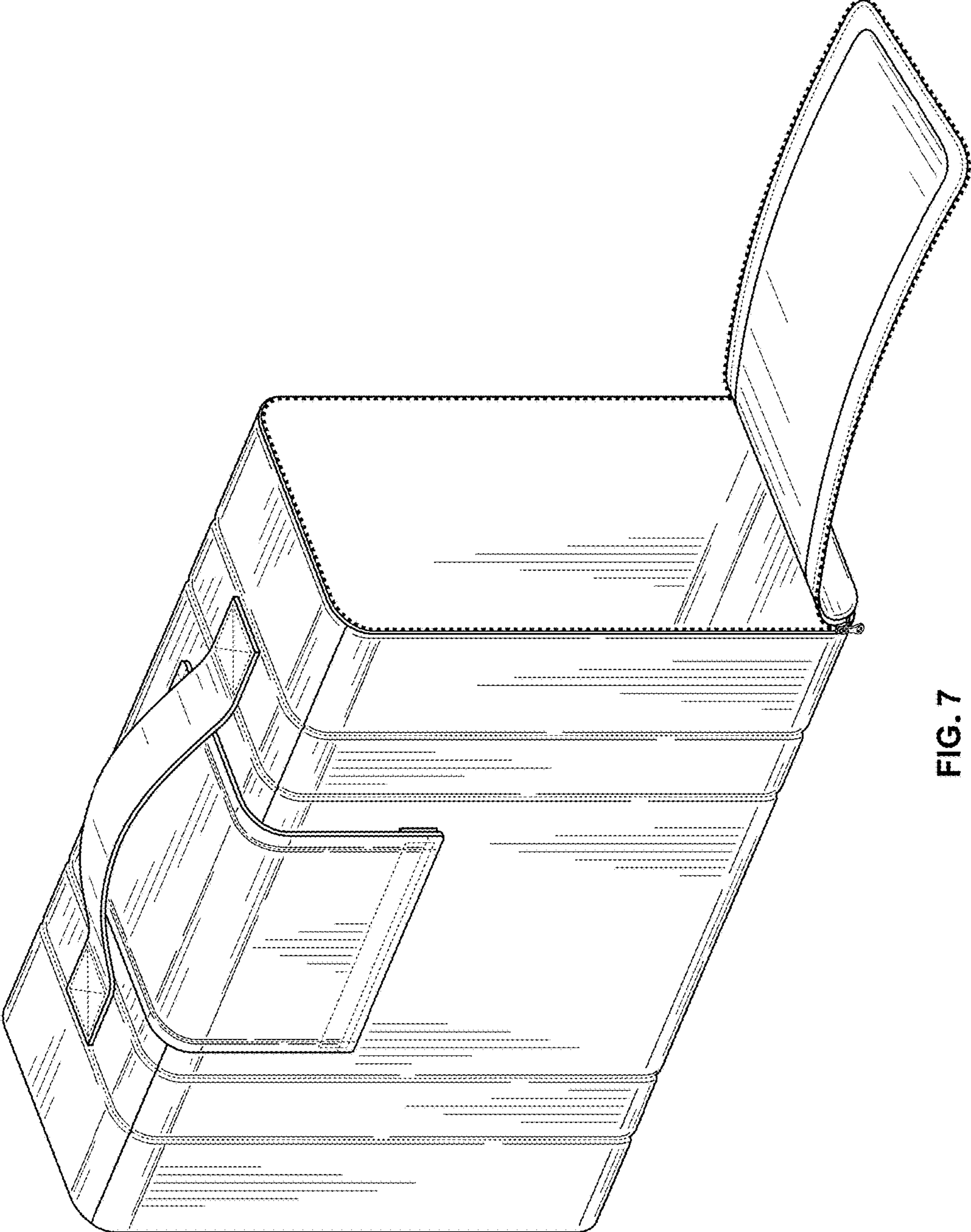


FIG. 7