

US00D862989S

(12) **United States Design Patent** (10) **Patent No.:** **US D862,989 S**
Lee (45) **Date of Patent:** **** Oct. 15, 2019**

(54) **SEASONING CONTAINER**
(71) Applicant: **LOCK & LOCK CO., LTD,**
Chungcheongnam-do (KR)
(72) Inventor: **Kyung Mee Lee, Seoul (KR)**
(73) Assignee: **LOCK & LOCK CO., LTD.,**
Chungcheongnam-do (KR)

2,328,543 A * 9/1943 Bauman A45F 3/20
206/217
D185,780 S * 8/1959 Tupper D7/300.1
D199,413 S * 10/1964 Levinson D7/608
D243,069 S * 1/1977 Igelman D9/428
D272,223 S * 1/1984 Daenen D7/629
(Continued)

(**) Term: **15 Years**
(21) Appl. No.: **29/637,844**

FOREIGN PATENT DOCUMENTS
CN 303435480 * 11/2015
KR 300900186.0000 * 3/2017

(22) Filed: **Feb. 22, 2018**
(30) **Foreign Application Priority Data**

OTHER PUBLICATIONS
Two-way LLS213 and LLS223 Containers, Lock & Lock, locknlock.com, author and date not listed © 2017 Lock&Lock, online, site visited Nov. 30, 2018. Available from Internet, URL: <http://www.locknlock.com/eng/productfeature> (Year: 2018).*
(Continued)

Aug. 24, 2017 (KR) 30-2017-0039420
(51) **LOC (12) Cl.** **07-01**
(52) **U.S. Cl.**
USPC **D7/596**
(58) **Field of Classification Search**
USPC ... D7/602, 605-607, 619.1, 629-630, 300.1,
D7/591, 596, 608, 624.2; D9/500-504,
D9/529, 763, 772, 776, 432, 567-568,
D9/571, 770, 447-448, 530, 685;
206/139-144, 216-217, 528-529, 537,
206/540, 549, 531-534
CPC B65D 81/24; B65D 2501/0081; B65D
65/18; A47G 23/04; A47J 41/00; A47J
43/27; A47J 43/00; A23C 9/1524; A23C
9/1307; A23L 3/24; A23P 20/18
See application file for complete search history.

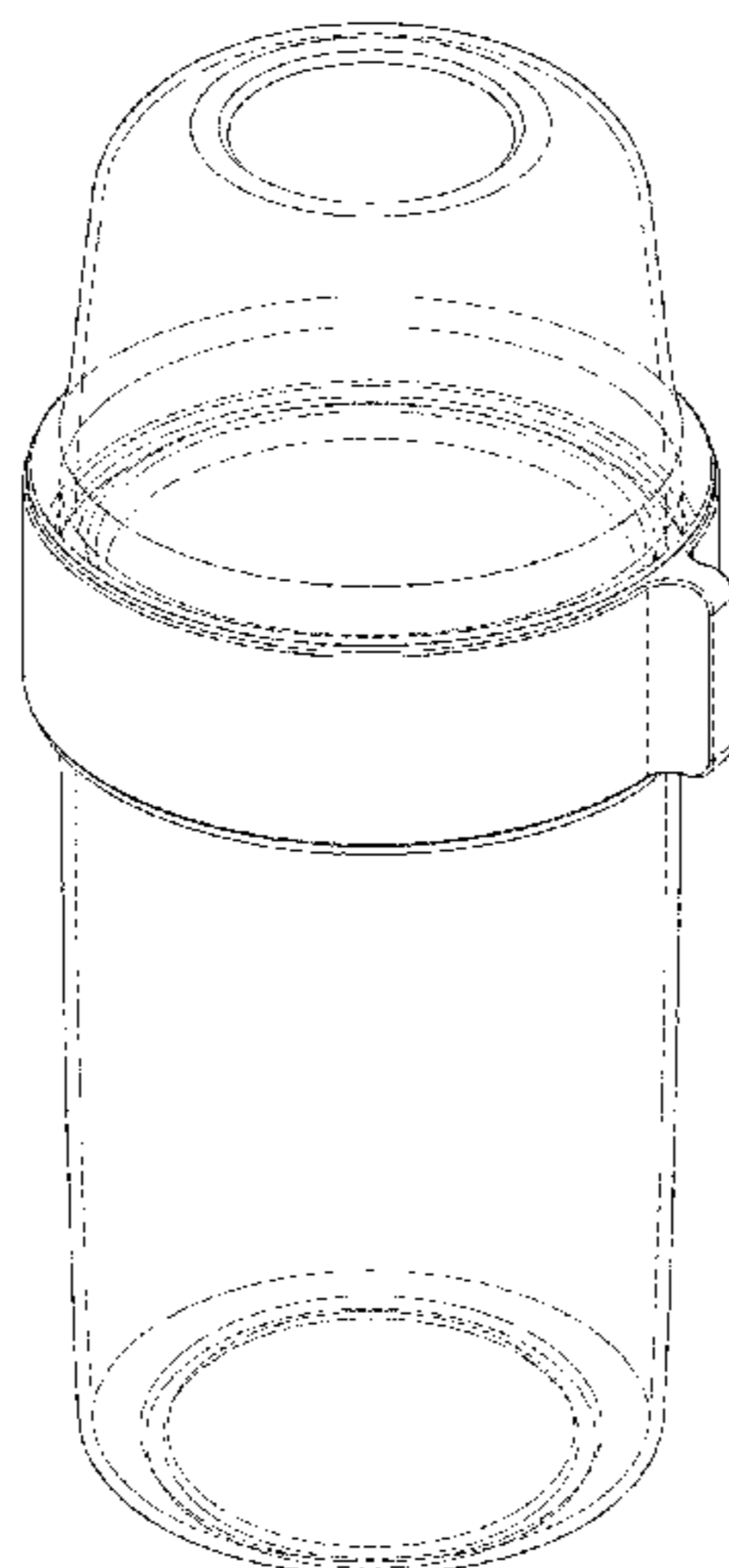
Primary Examiner — Shannon W Morgan
Assistant Examiner — Altaira J Swangin
(74) *Attorney, Agent, or Firm* — Duane Morris LLP

(56) **References Cited**
U.S. PATENT DOCUMENTS
1,740,223 A * 12/1929 Burvenick A47J 43/27
220/568
1,765,129 A * 6/1930 Cooke A47J 43/27
215/40

(57) **CLAIM**
The ornamental design for a seasoning container, as shown and described.

DESCRIPTION
FIG. 1 is a top, front, right perspective view of a seasoning container;
FIG. 2 is a front view of the seasoning container;
FIG. 3 is a rear view of the seasoning container;
FIG. 4 is a left side view of the seasoning container;
FIG. 5 is a right side view of the seasoning container;
FIG. 6 is a top view of the seasoning container; and,
FIG. 7 is a bottom view of the seasoning container.
The wire frame lines, shown throughout the views, are intended to indicate surface contour and are not intended to be surface ornamentation.

1 Claim, 7 Drawing Sheets



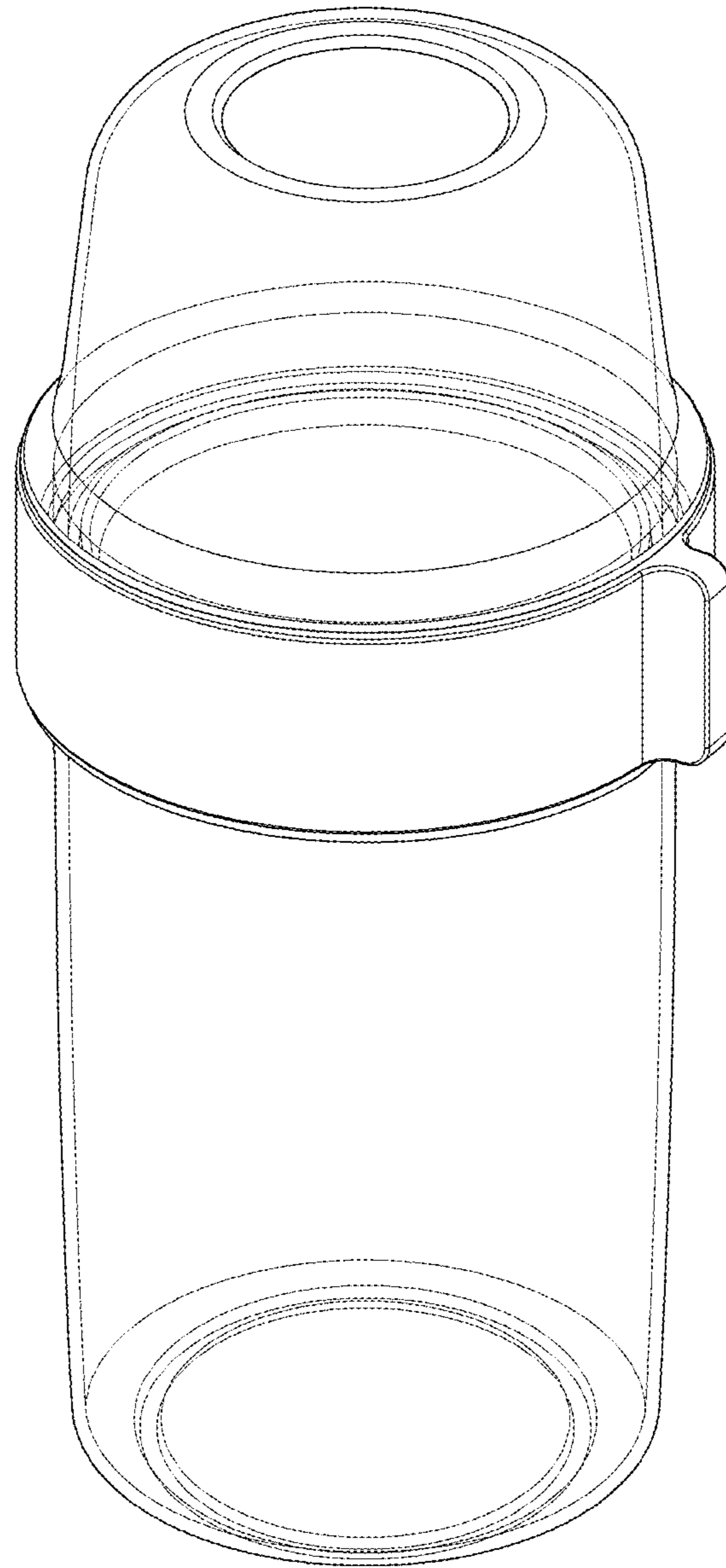


FIG. 1

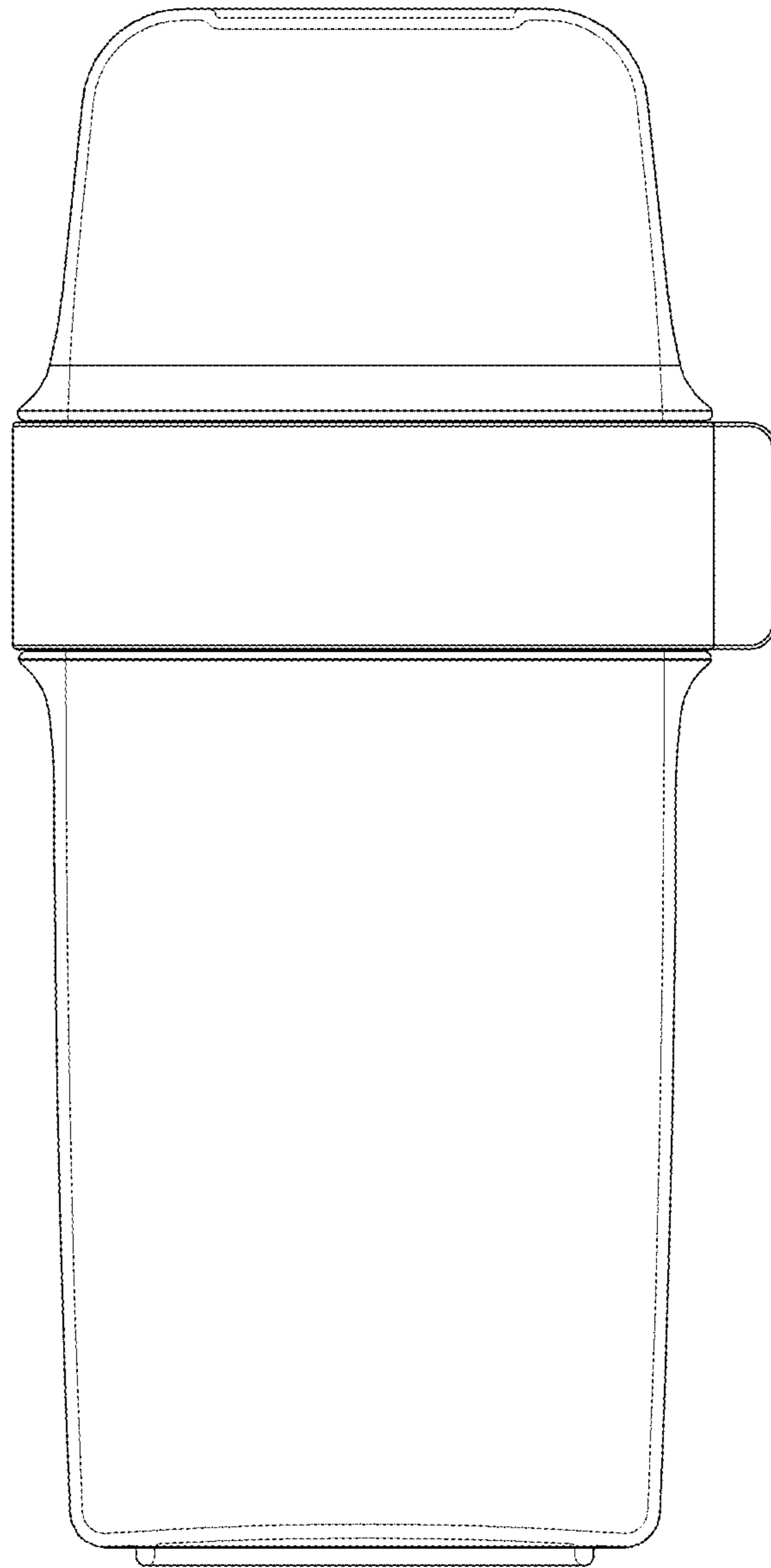


FIG. 2

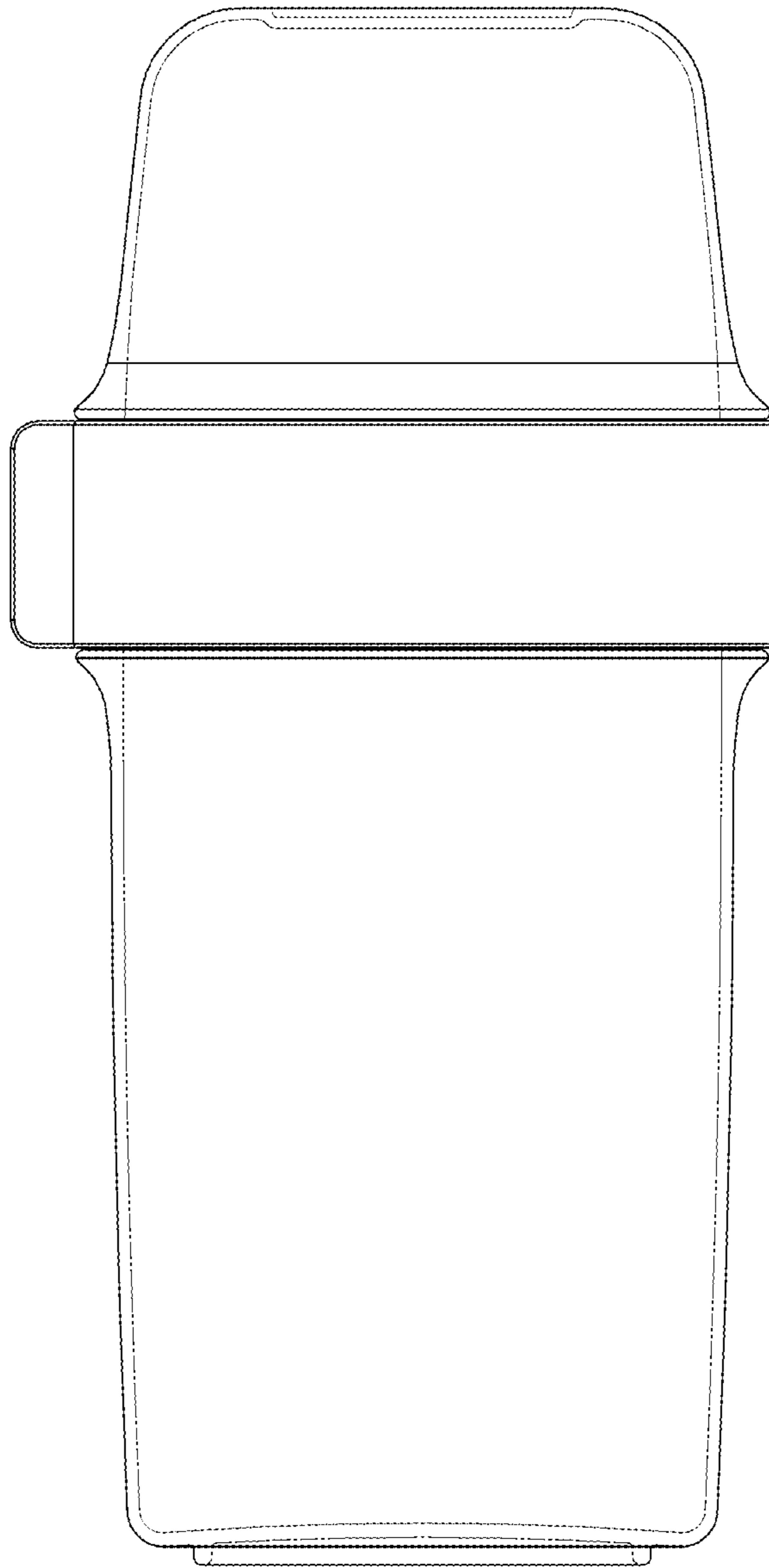


FIG. 3

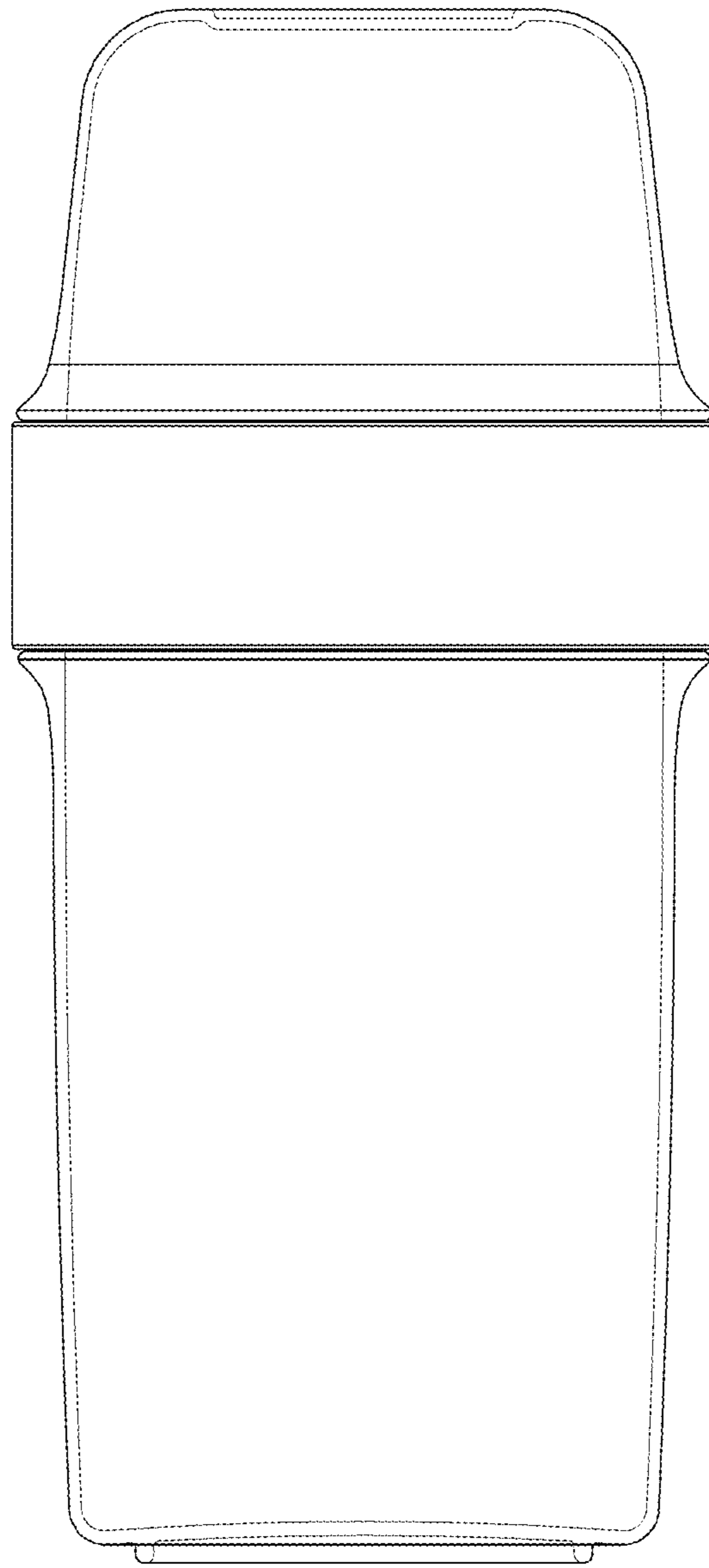


FIG. 4

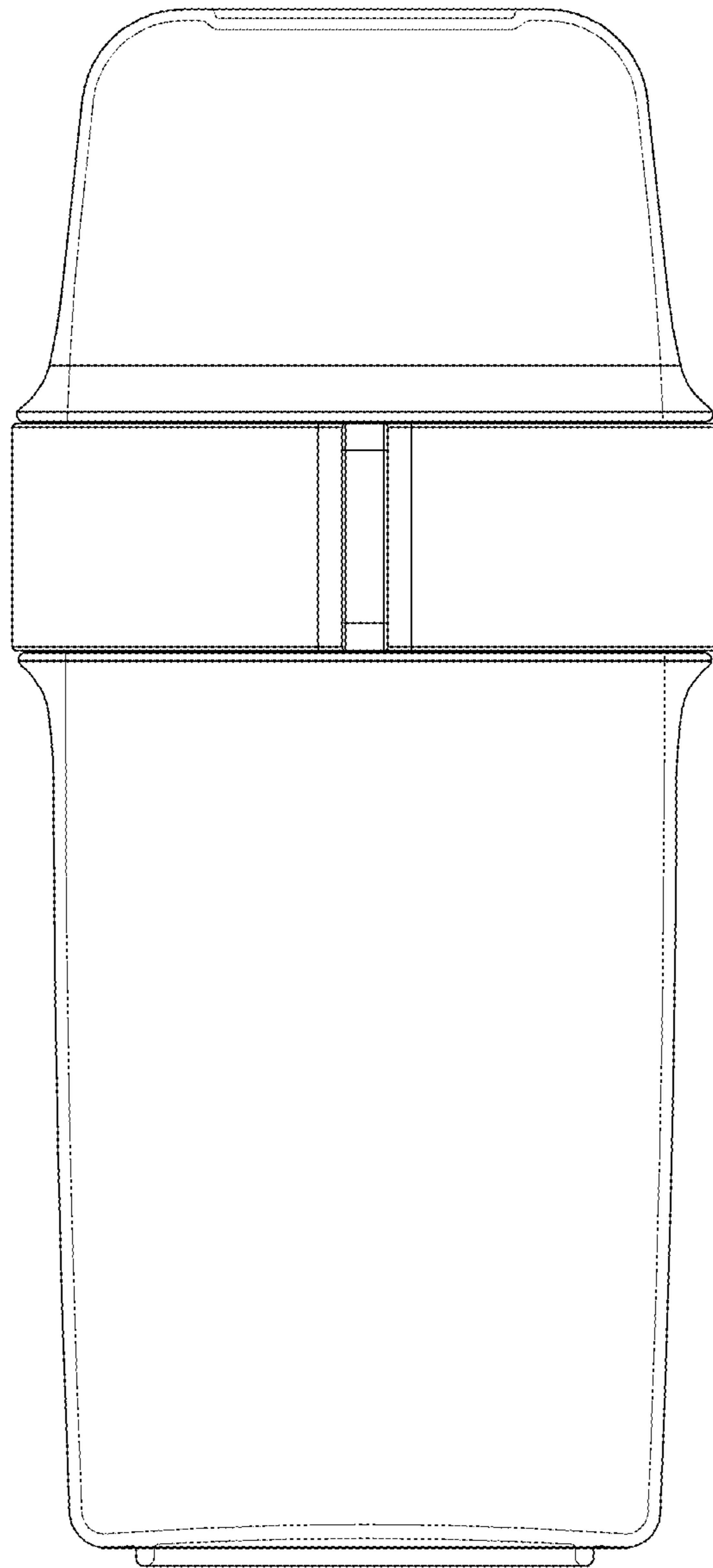


FIG. 5

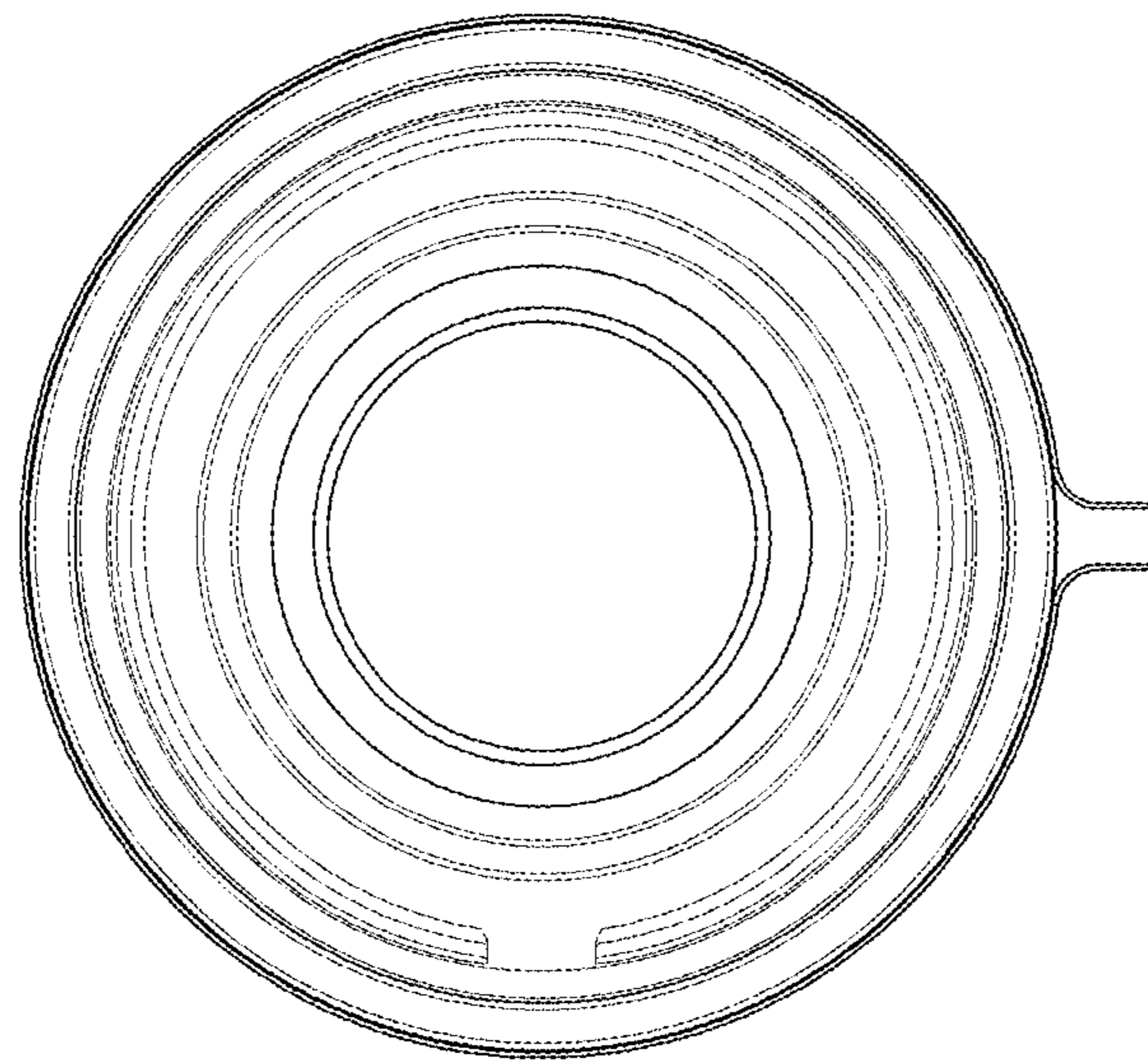


FIG. 6

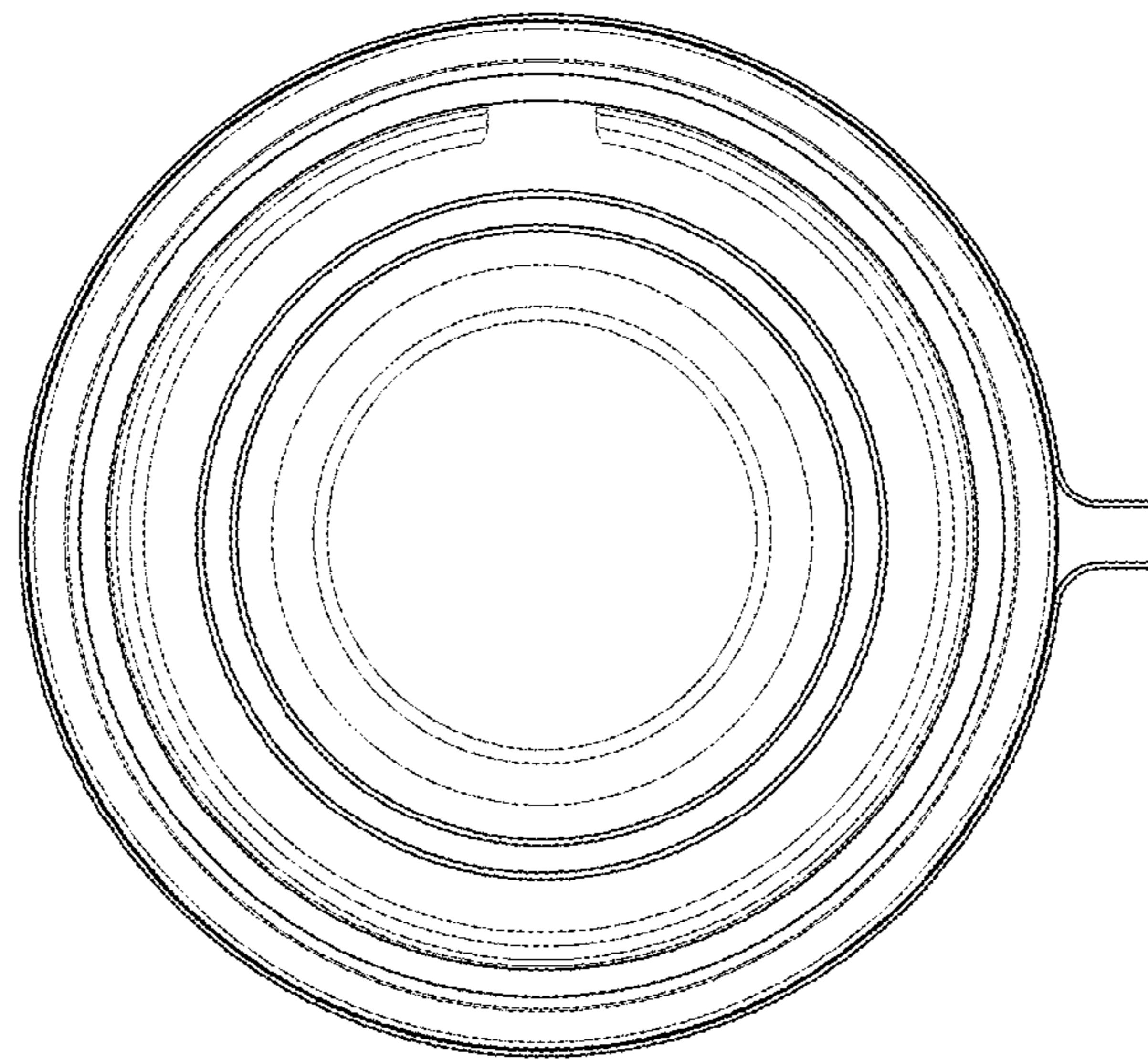


FIG. 7