

US00D862988S

(12) **United States Design Patent** (10) **Patent No.:** **US D862,988 S**
Wiggins et al. (45) **Date of Patent:** **** Oct. 15, 2019**

- (54) **BOWL**
- (71) Applicant: **Dart Industries Inc.**, Orlando, FL (US)
- (72) Inventors: **James Michael Wiggins**, Pleasant Hill, CA (US); **Jan-Hendrik de Groot**, Aalst (BE)
- (73) Assignee: **Dart Industries Inc.**, Orlando, FL (US)
- (**) Term: **15 Years**
- (21) Appl. No.: **29/659,800**
- (22) Filed: **Aug. 13, 2018**
- (51) **LOC (12) Cl.** **07-01**
- (52) **U.S. Cl.**
USPC **D7/587**
- (58) **Field of Classification Search**
USPC D7/500, 587, 565, 560, 543; D30/130
CPC A47G 19/025; A47G 19/02
See application file for complete search history.

- D442,831 S * 5/2001 Jacobs D7/584
- D468,590 S 1/2003 Jalet et al.
- D476,530 S 7/2003 Jalet et al.

(Continued)

Primary Examiner — Cynthia R Underwood
(74) *Attorney, Agent, or Firm* — Taylor J. Ross

(57) **CLAIM**

The ornamental design for a bowl, as shown and described.

DESCRIPTION

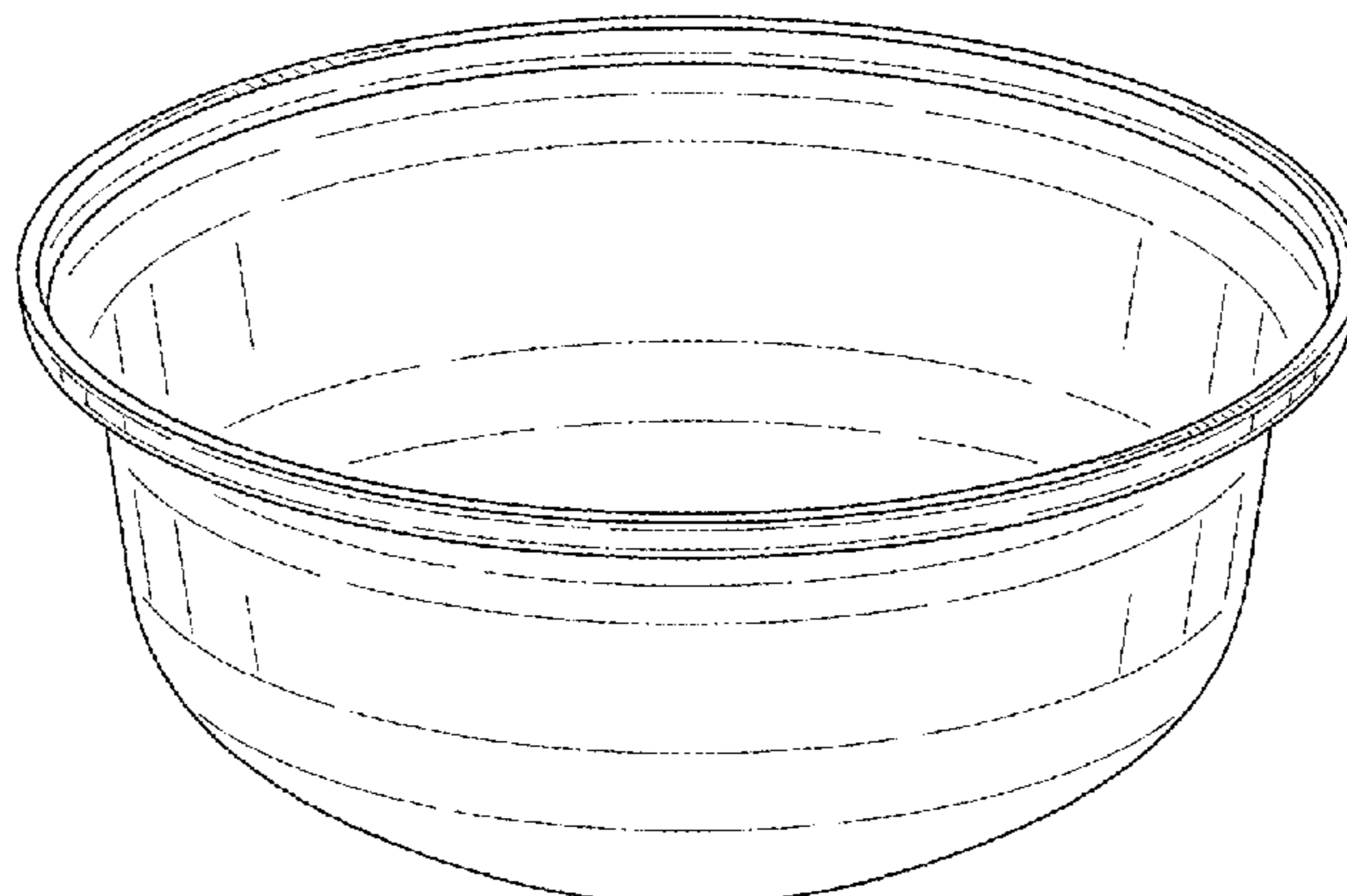
FIG. 1 is a top, front and left isometric view of a first embodiment of a bowl showing our new design;
 FIG. 2 is a bottom, front and right isometric view thereof;
 FIG. 3 is a top plan view thereof;
 FIG. 4 is a bottom plan view thereof;
 FIG. 5 is a front elevation view, the rear, left and right side views being identical thereto;
 FIG. 6 is a cross-sectional view taken along line 6-6 of FIG. 3;
 FIG. 7 is a top, front and left isometric view of a second embodiment of a bowl showing our new design;
 FIG. 8 is a bottom, front and right isometric view thereof;
 FIG. 9 is a top plan view thereof;
 FIG. 10 is a bottom plan view thereof;
 FIG. 11 is a front elevation view, the rear, left and right side views being identical thereto;
 FIG. 12 is a cross-sectional view taken along line 12-12 of FIG. 9;
 FIG. 13 is a top, front and left isometric view of a third embodiment of a bowl showing our new design;
 FIG. 14 is a bottom, front and right isometric view thereof;
 FIG. 15 is a top plan view thereof;
 FIG. 16 is a bottom plan view thereof;
 FIG. 17 is a front elevation view, the rear, left and right side views being identical thereto; and,
 FIG. 18 is a cross-sectional view taken along line 18-18 of FIG. 15.

(56) **References Cited**

U.S. PATENT DOCUMENTS

- 1,567,234 A * 12/1925 Brucker A21B 3/13
249/136
- D119,166 S * 2/1940 Guild D7/565
- D175,753 S * 10/1955 Barnhart D7/540
- 2,765,832 A 10/1956 Tupper
- D243,912 S * 4/1977 Daenen D7/584
- D244,415 S 5/1977 Daenen
- D250,929 S * 1/1979 Gerstman D7/565
- D286,726 S 11/1986 Daenen et al.
- D286,844 S 11/1986 Daenen et al.
- D324,324 S 3/1992 Picazza
- D345,892 S 4/1994 Heiberg et al.
- D373,932 S 9/1996 Onneweer
- D382,766 S * 8/1997 Hamada D7/354
- D383,646 S 9/1997 Jeppesen et al.
- D394,189 S * 5/1998 Reynaert D7/523

1 Claim, 9 Drawing Sheets



(56)

References Cited

U.S. PATENT DOCUMENTS

D476,853	S	7/2003	Jalet et al.	
D503,310	S	3/2005	Jalet et al.	
D509,106	S	9/2005	de Groote et al.	
D511,074	S *	11/2005	Claypool	D7/602
D549,040	S *	8/2007	Henry	D7/354
D575,992	S *	9/2008	LeGreve	D7/586
D598,238	S *	8/2009	Durdon	D7/354
D607,329	S *	1/2010	Diss	D7/587
D630,897	S *	1/2011	Jarvis	D7/407
D690,166	S *	9/2013	Montgomery	D7/586
D701,088	S *	3/2014	Hone	D7/505
D709,317	S *	7/2014	Cheng	D7/354
D738,159	S *	9/2015	Cheng	D7/354
D760,951	S *	7/2016	Bennett	D27/136
D787,274	S *	5/2017	Gagnon	D7/586
D792,166	S *	7/2017	Kirsh	D7/601
D807,121	S *	1/2018	Mittal	D7/587
D823,643	S *	7/2018	Paul	D7/584
D828,726	S *	9/2018	Epley	D7/602
D845,715	S *	4/2019	Brownell	D7/545
2002/0112614	A1 *	8/2002	Zoss	A21B 3/131 99/426

* cited by examiner

FIG. 1

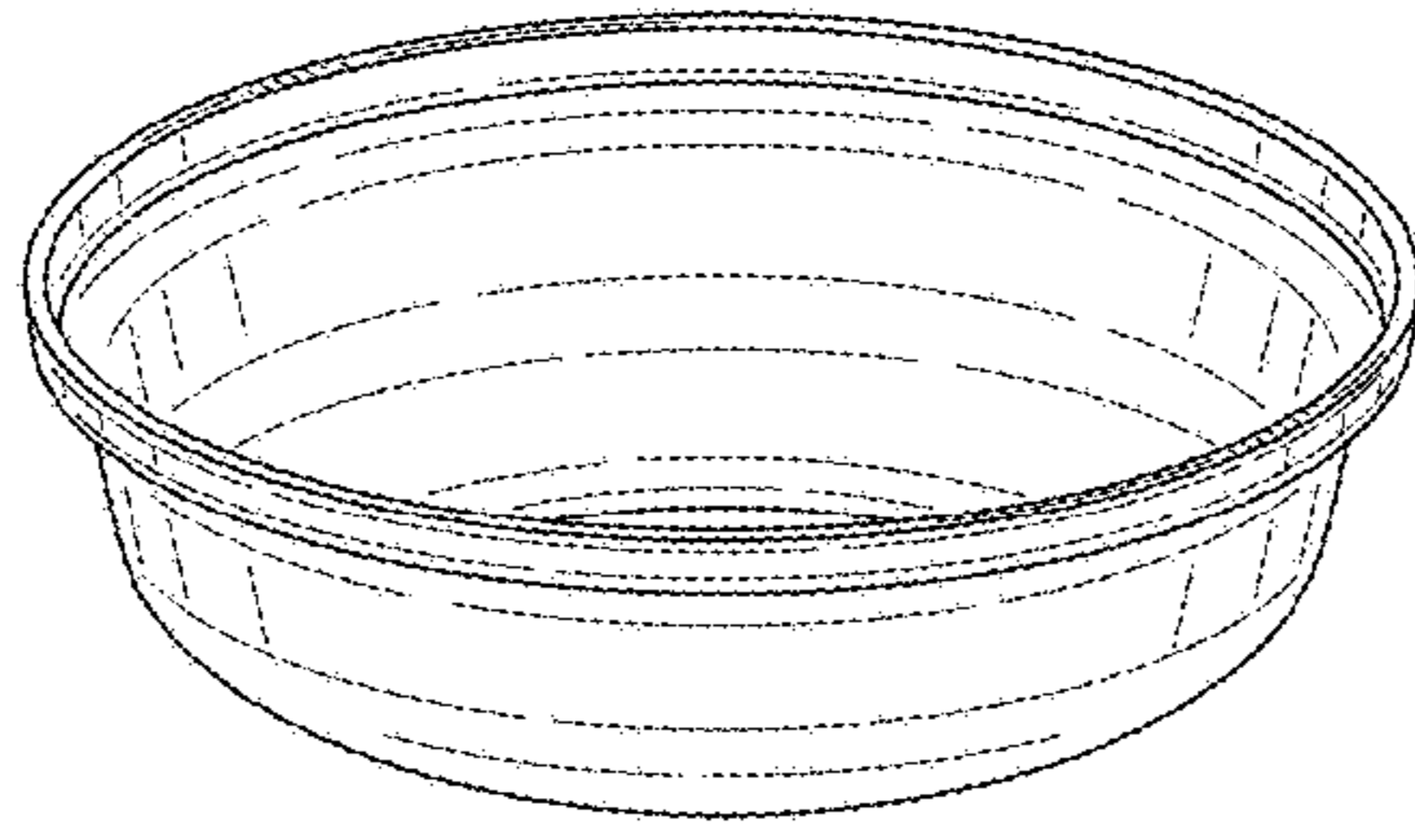


FIG. 2

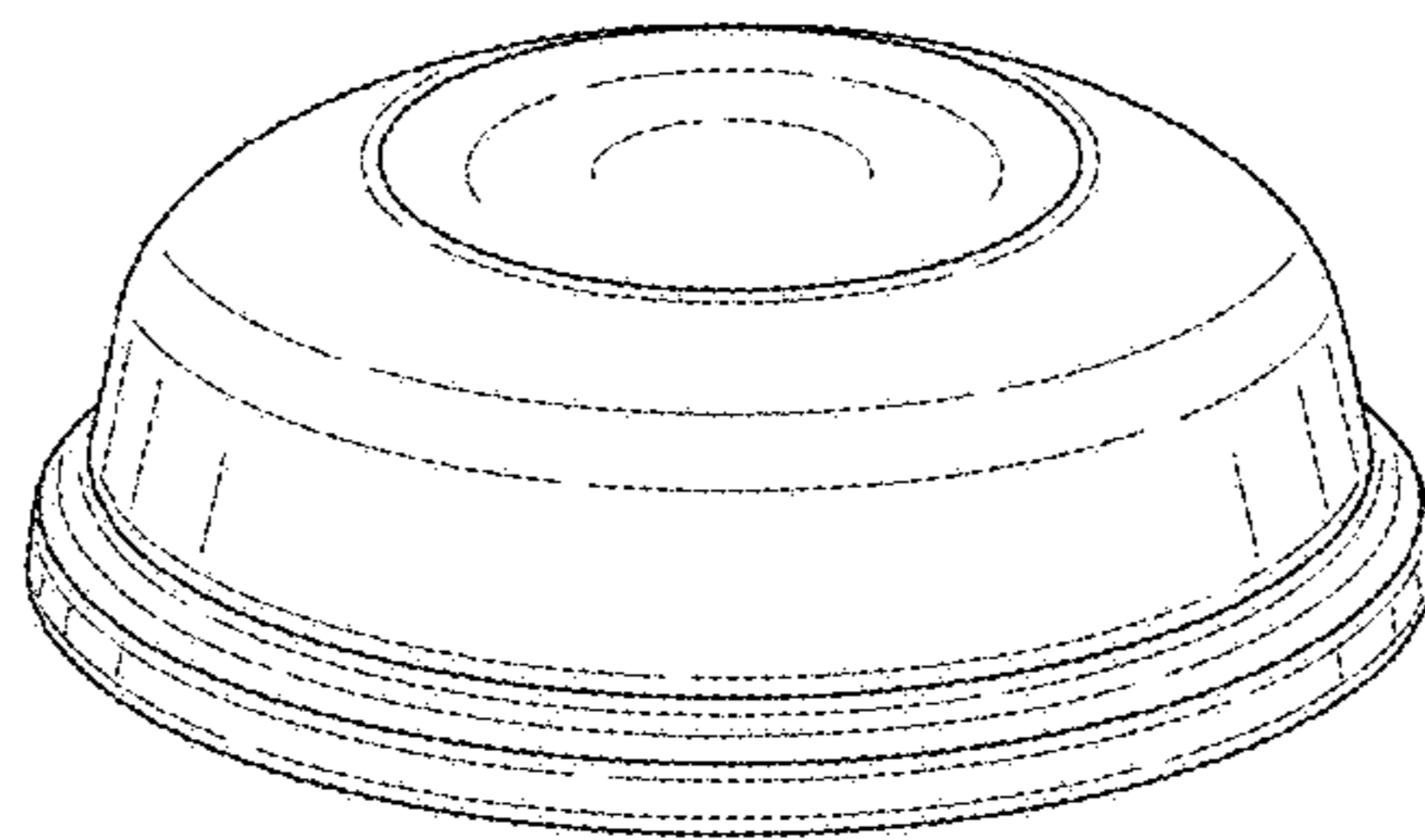


FIG. 3

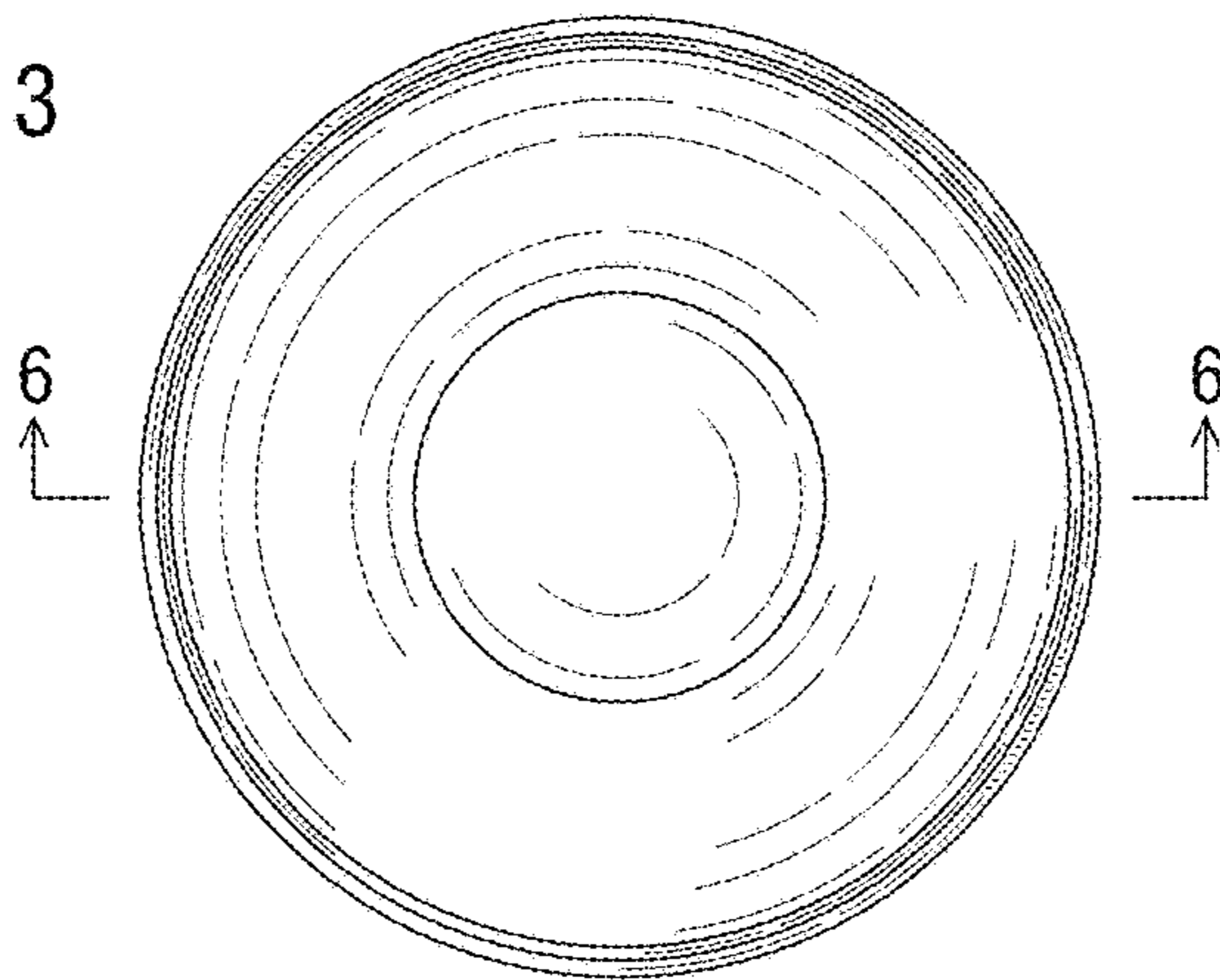


FIG. 4

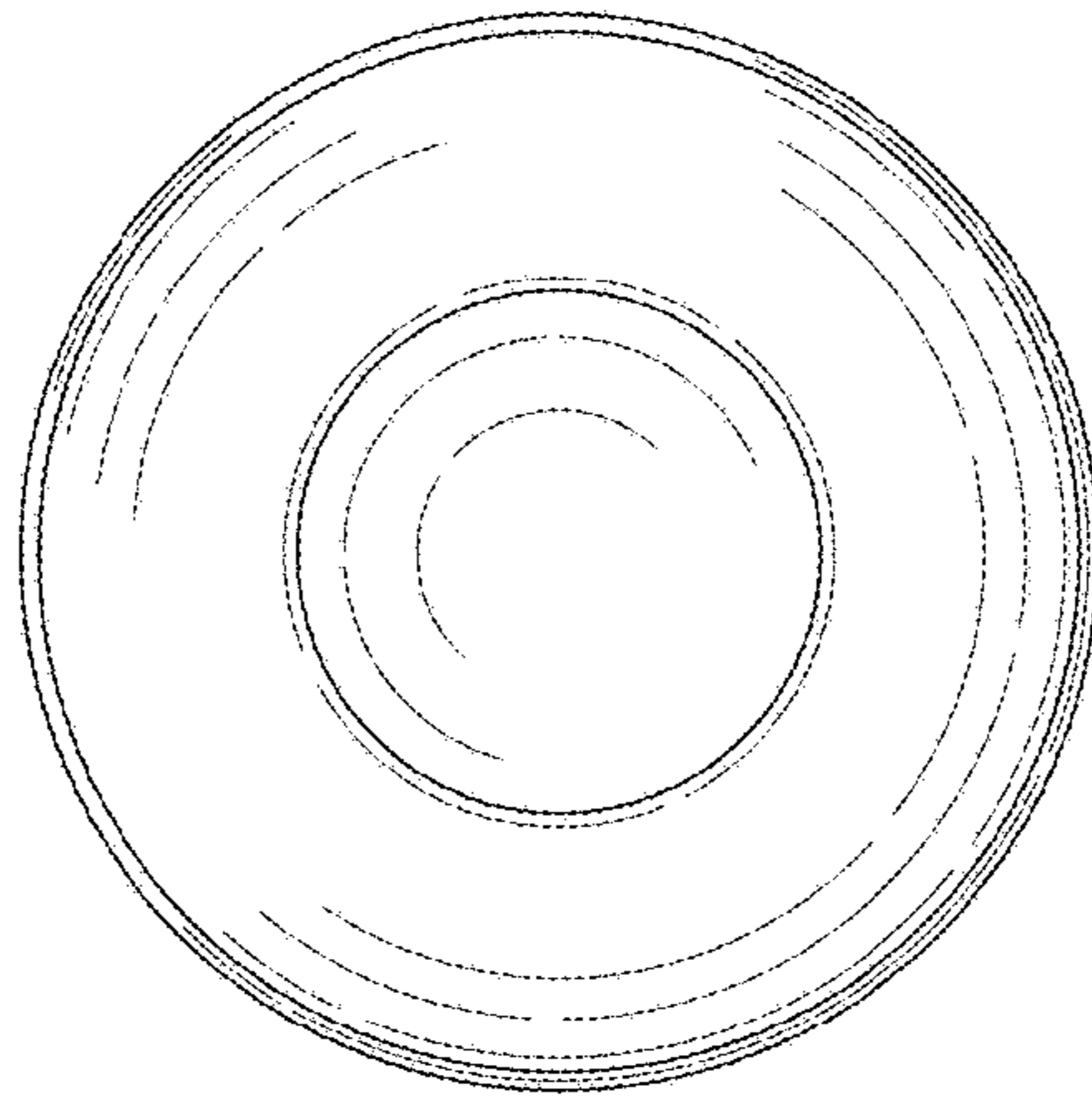


FIG. 5

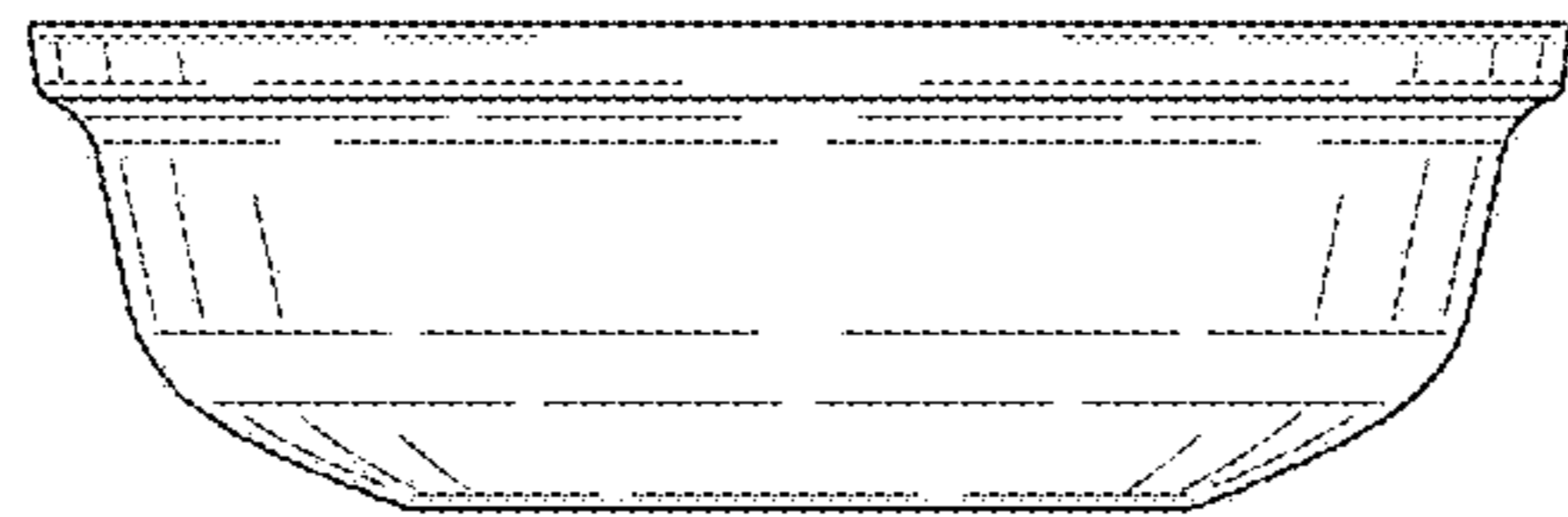


FIG. 6

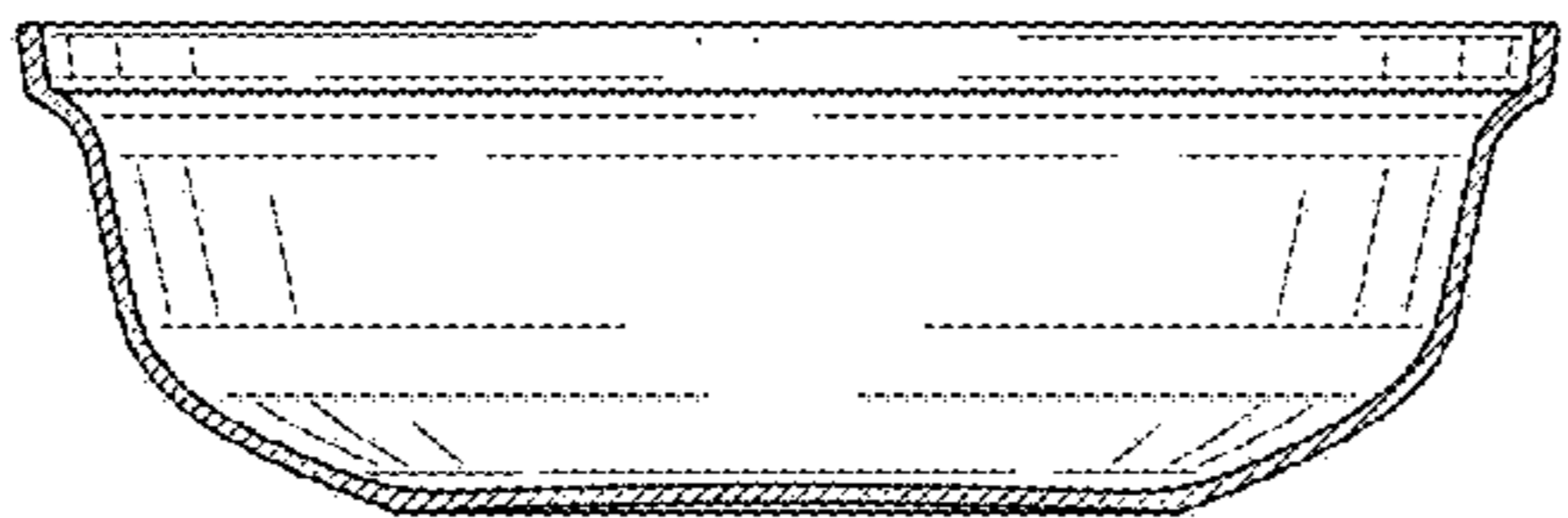


FIG. 7

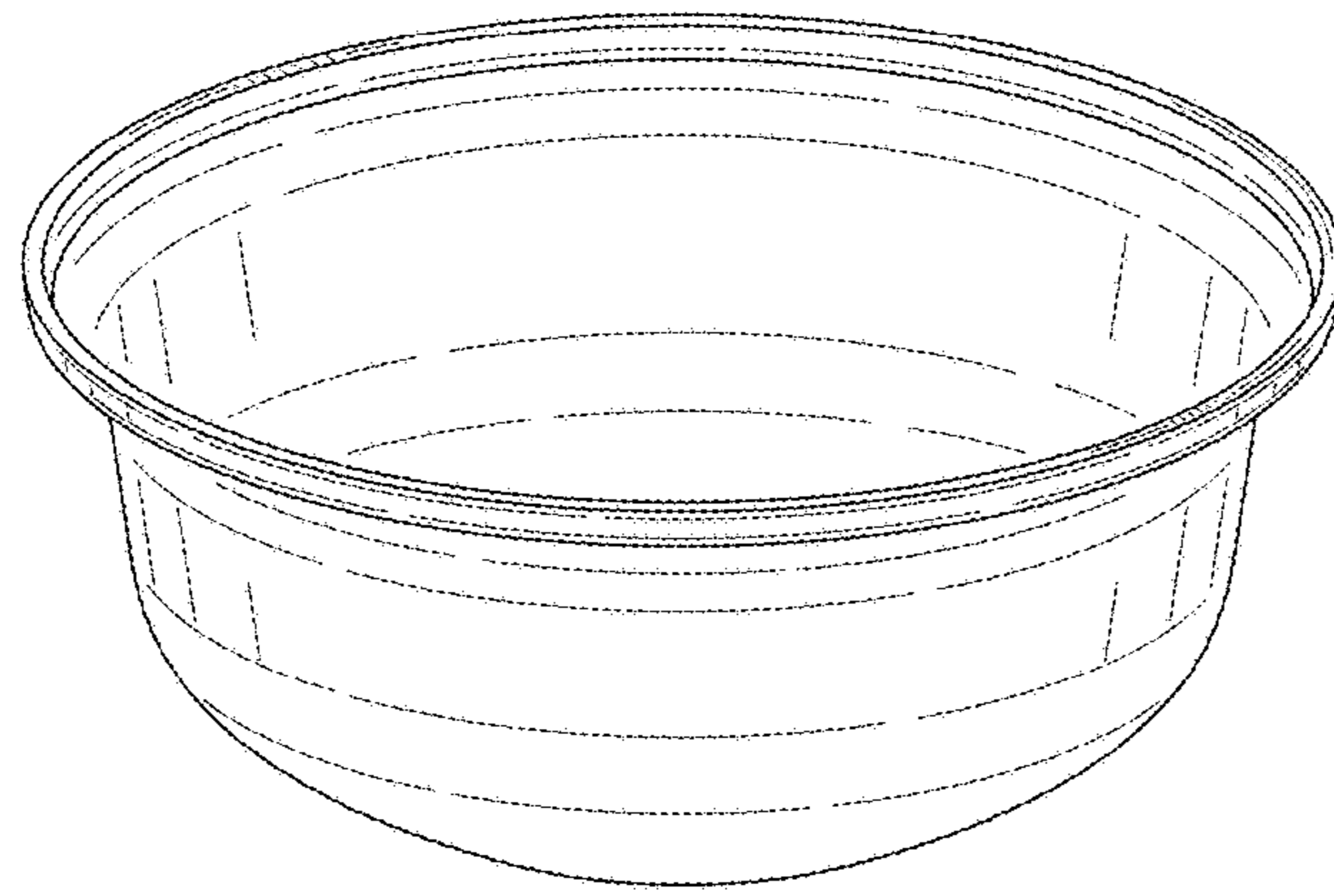


FIG. 8

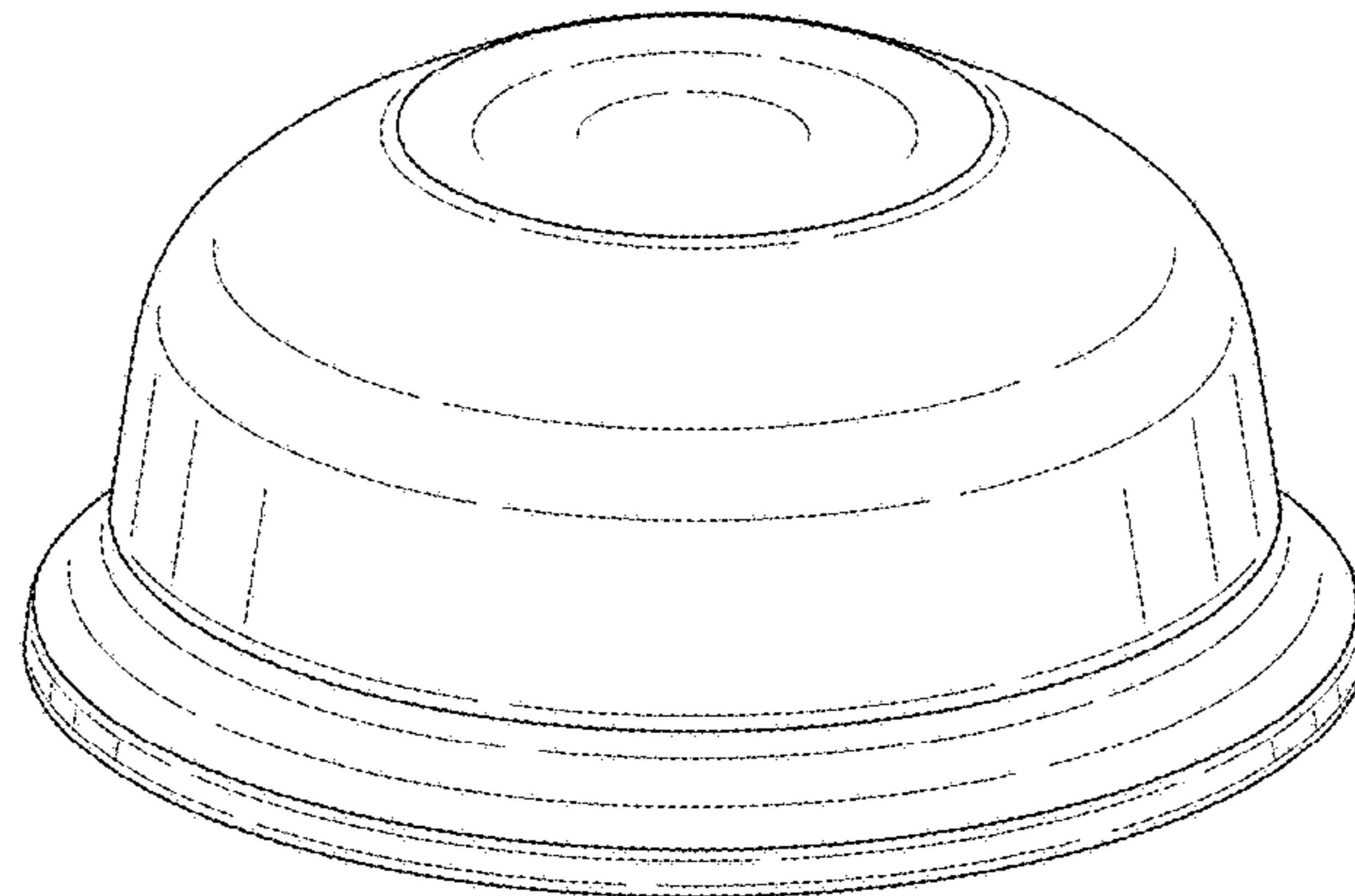


FIG. 9

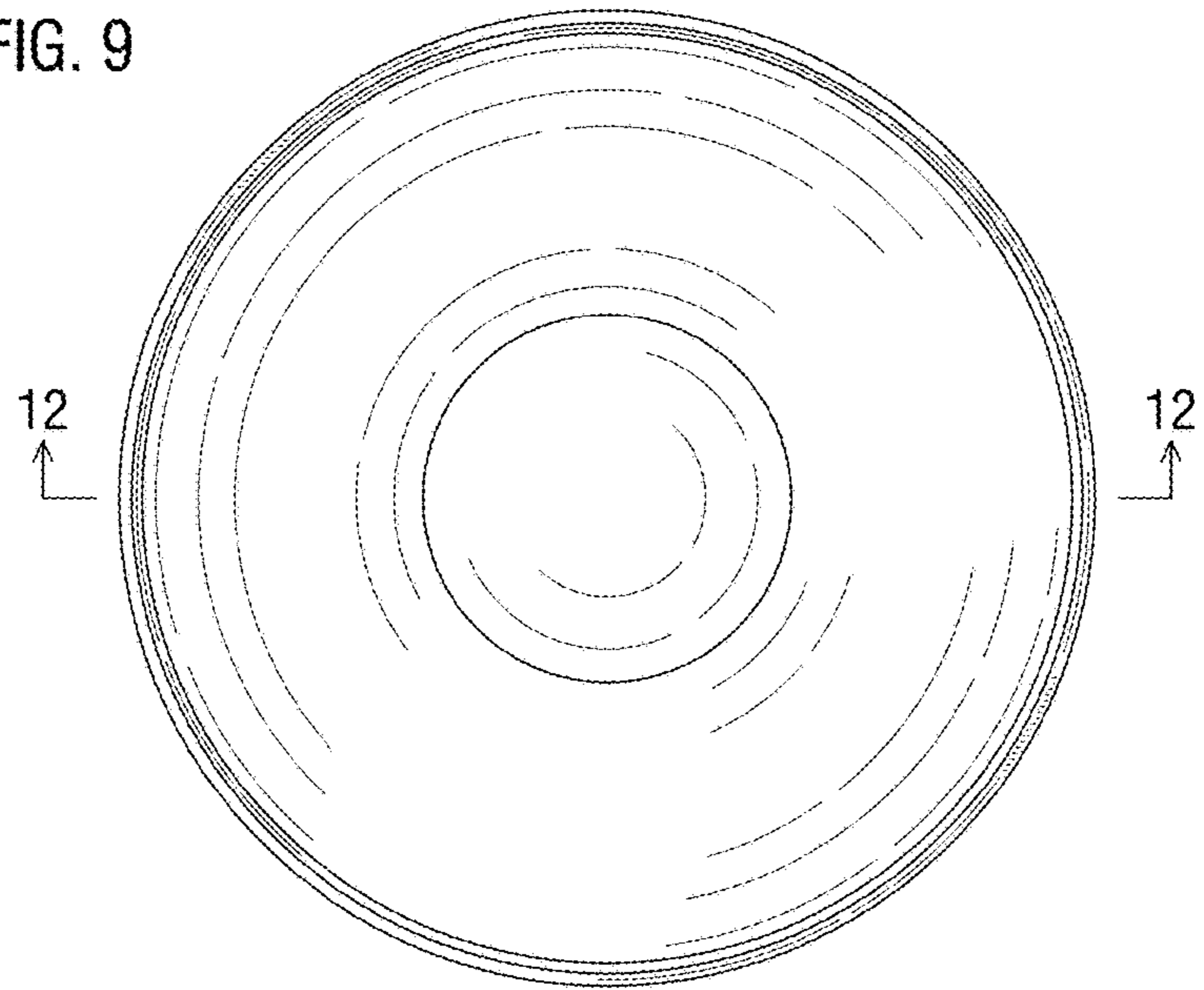


FIG. 10

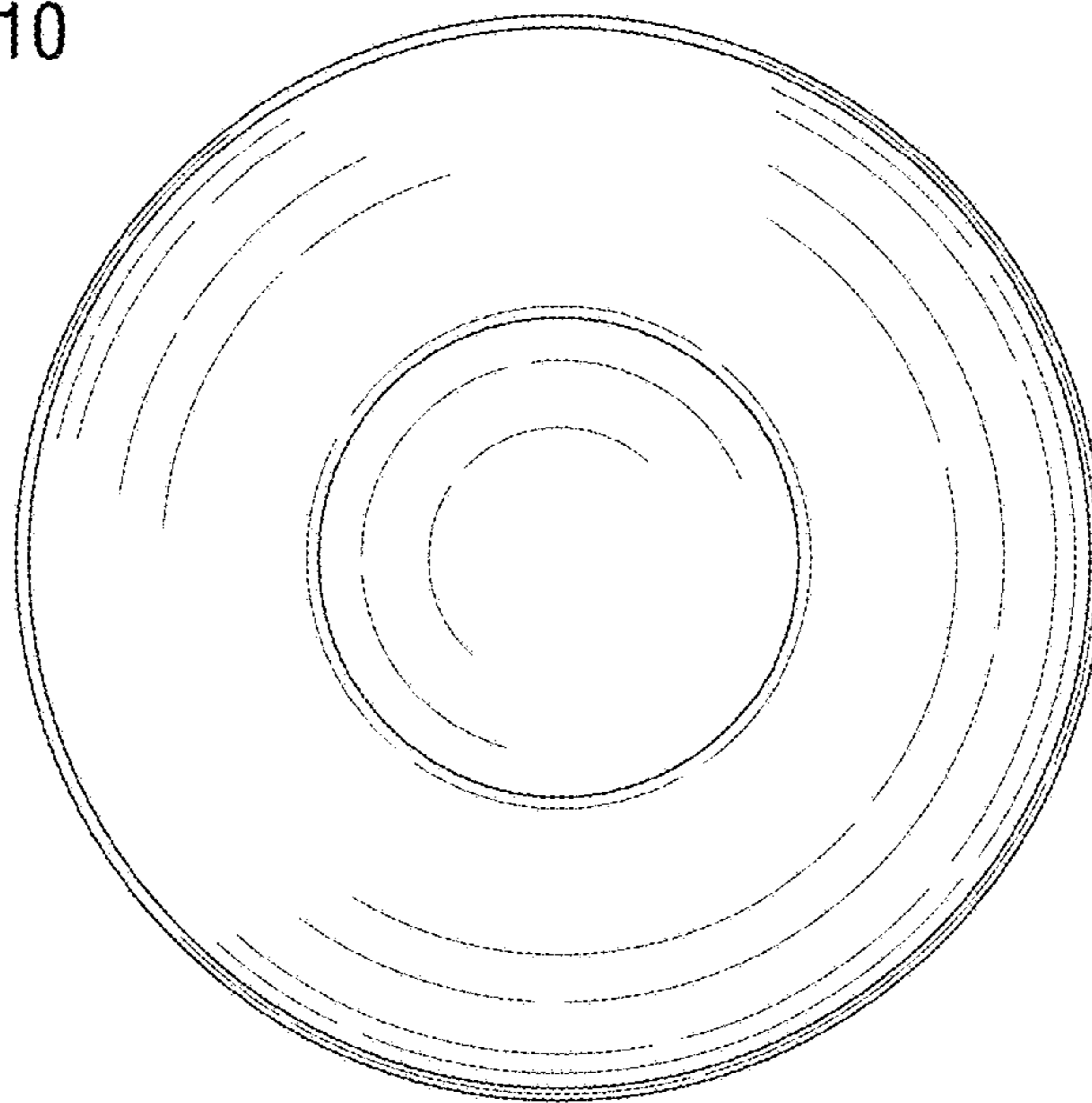


FIG. 11

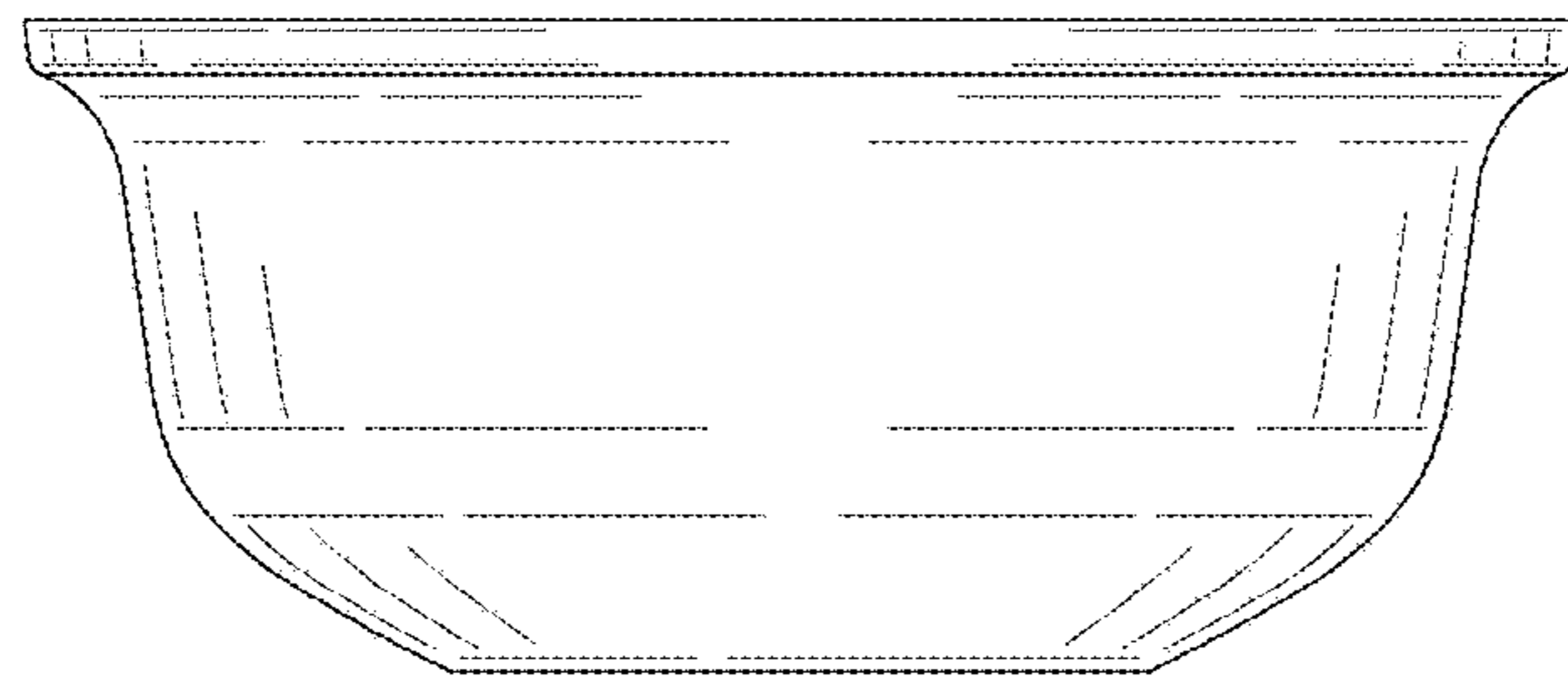


FIG. 12

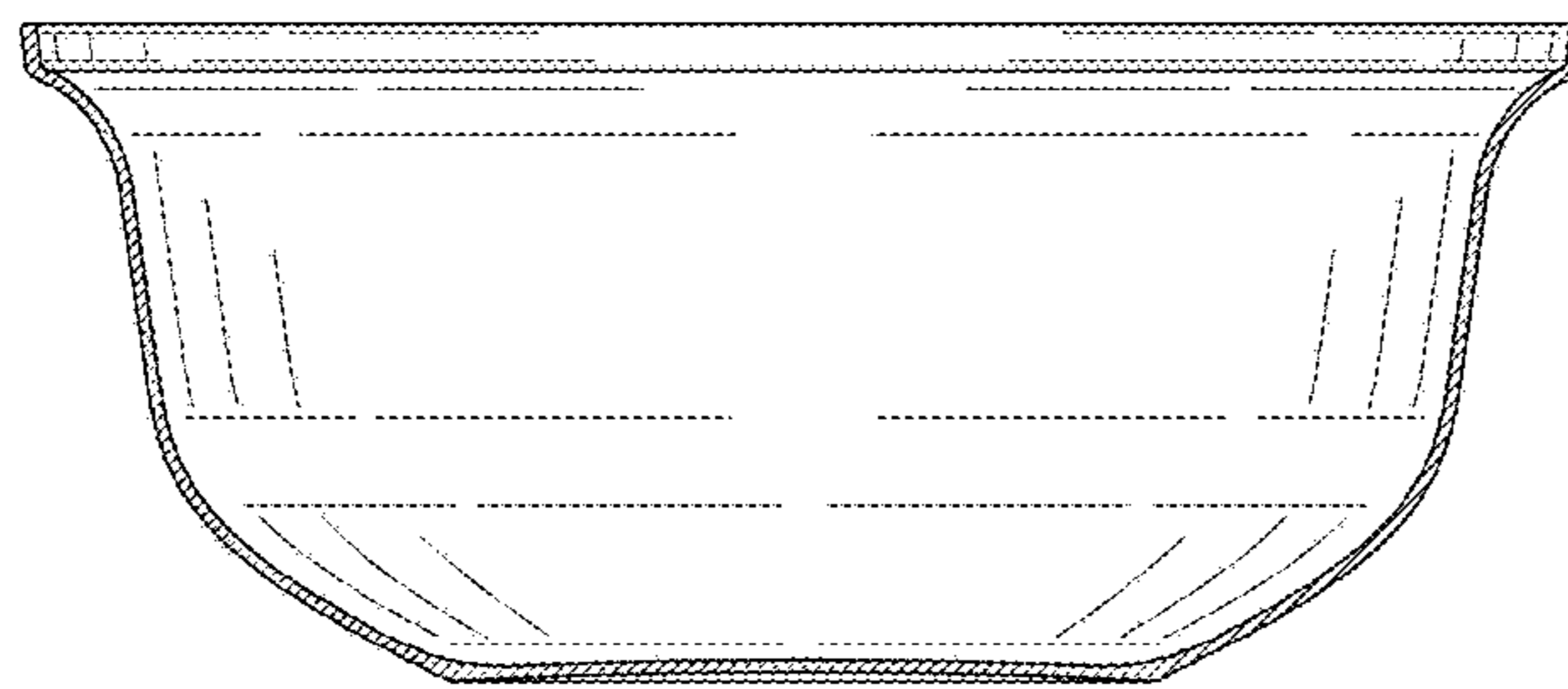


FIG. 13

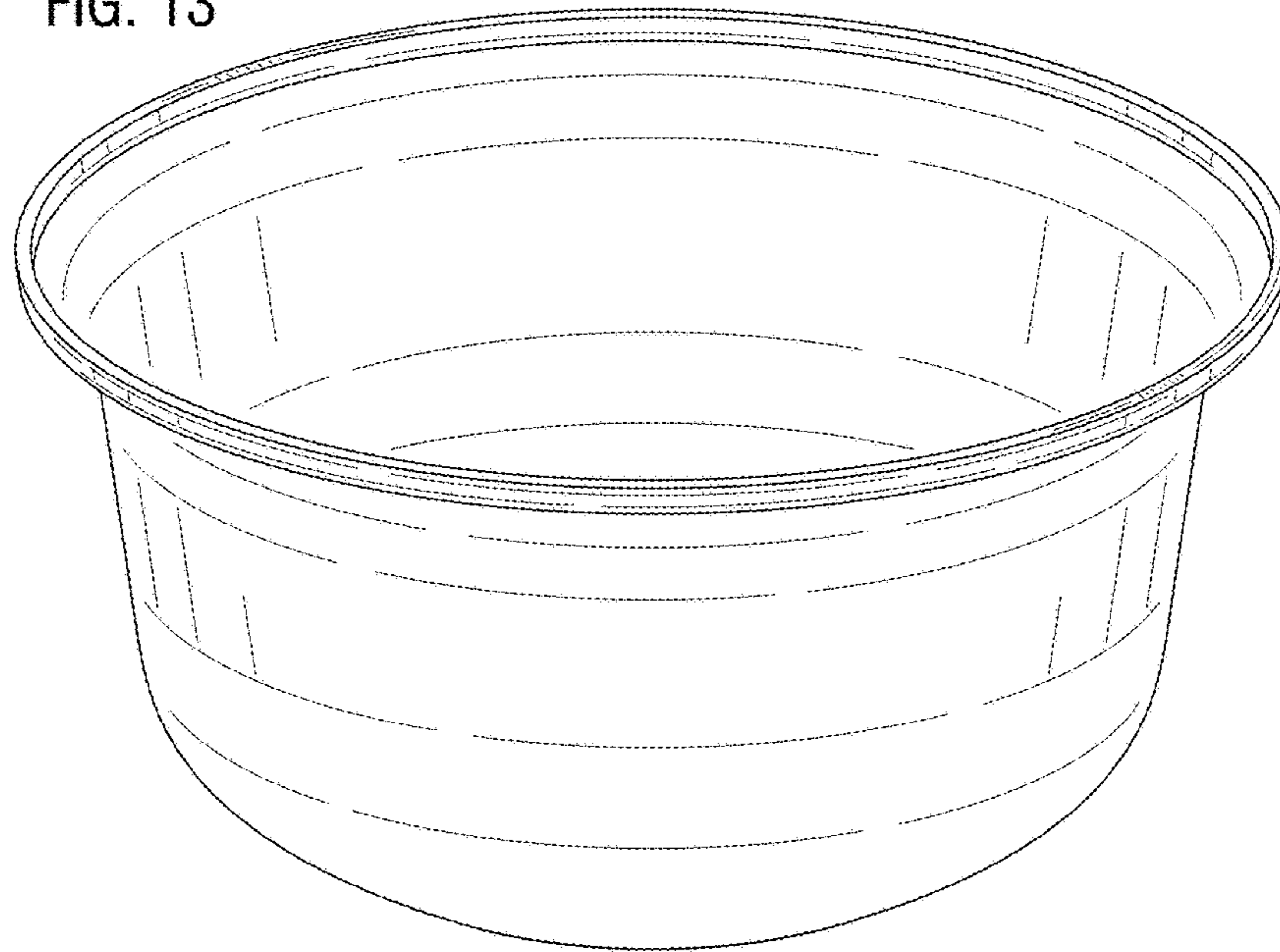
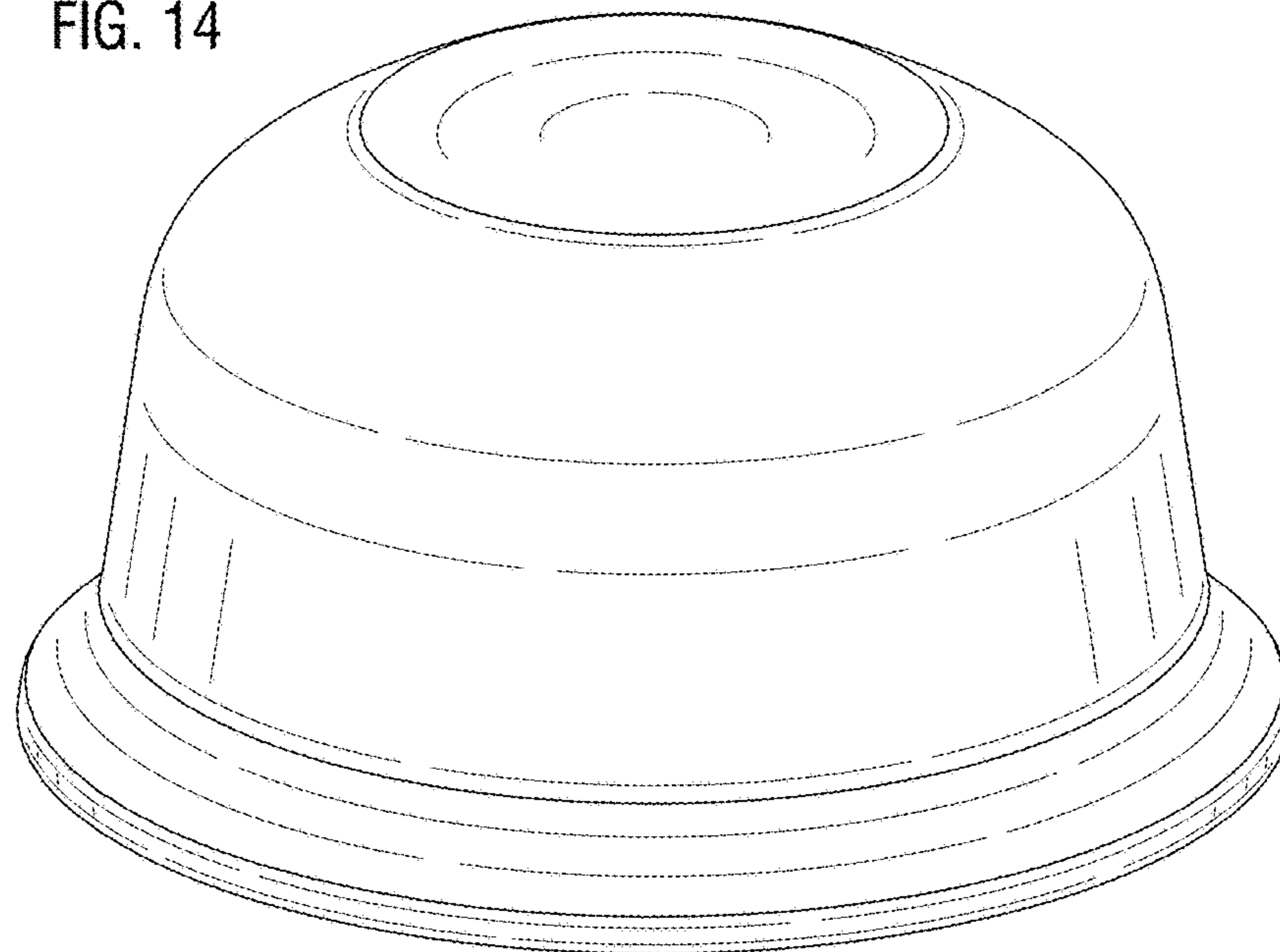


FIG. 14



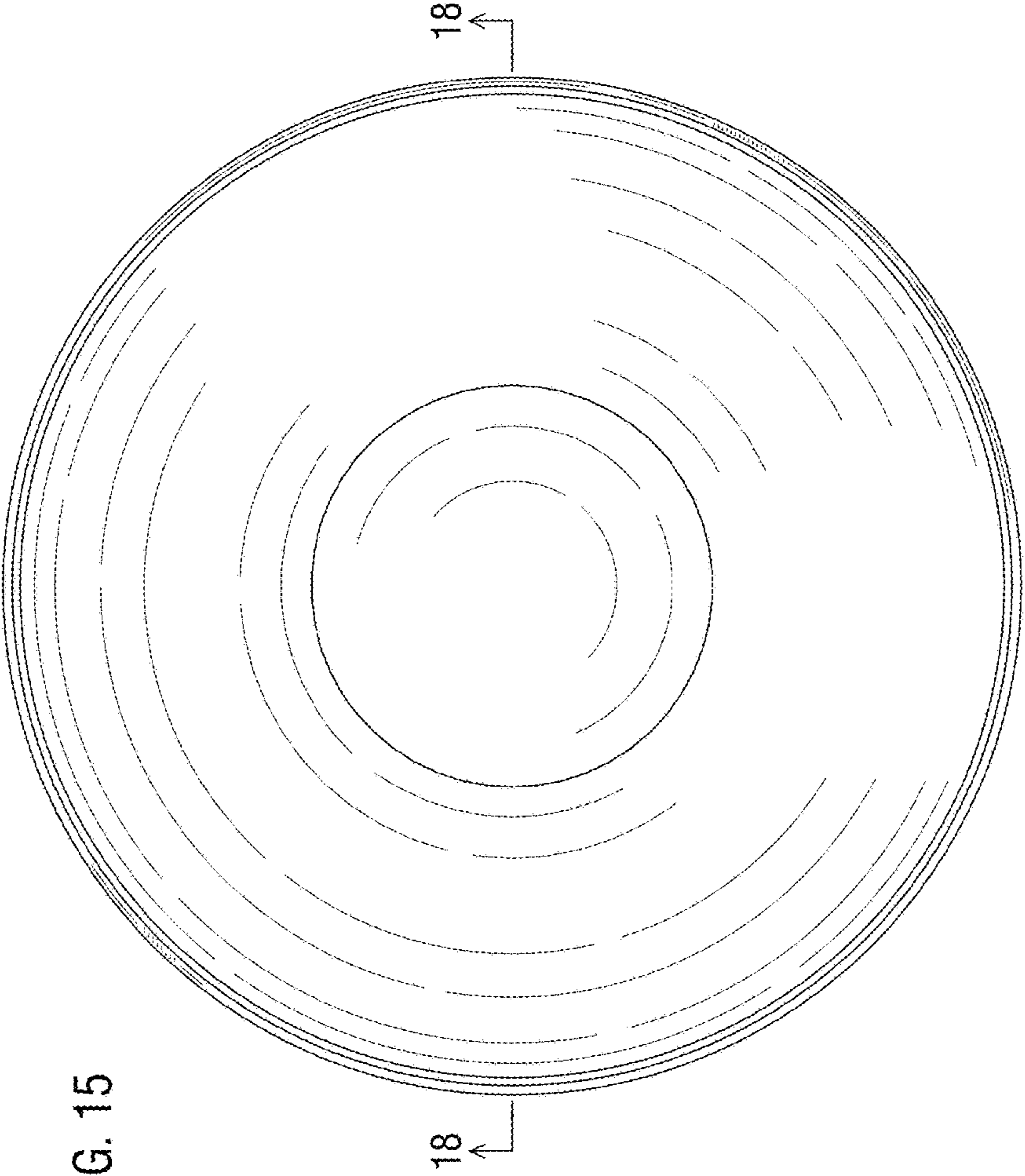


FIG. 15

FIG. 16

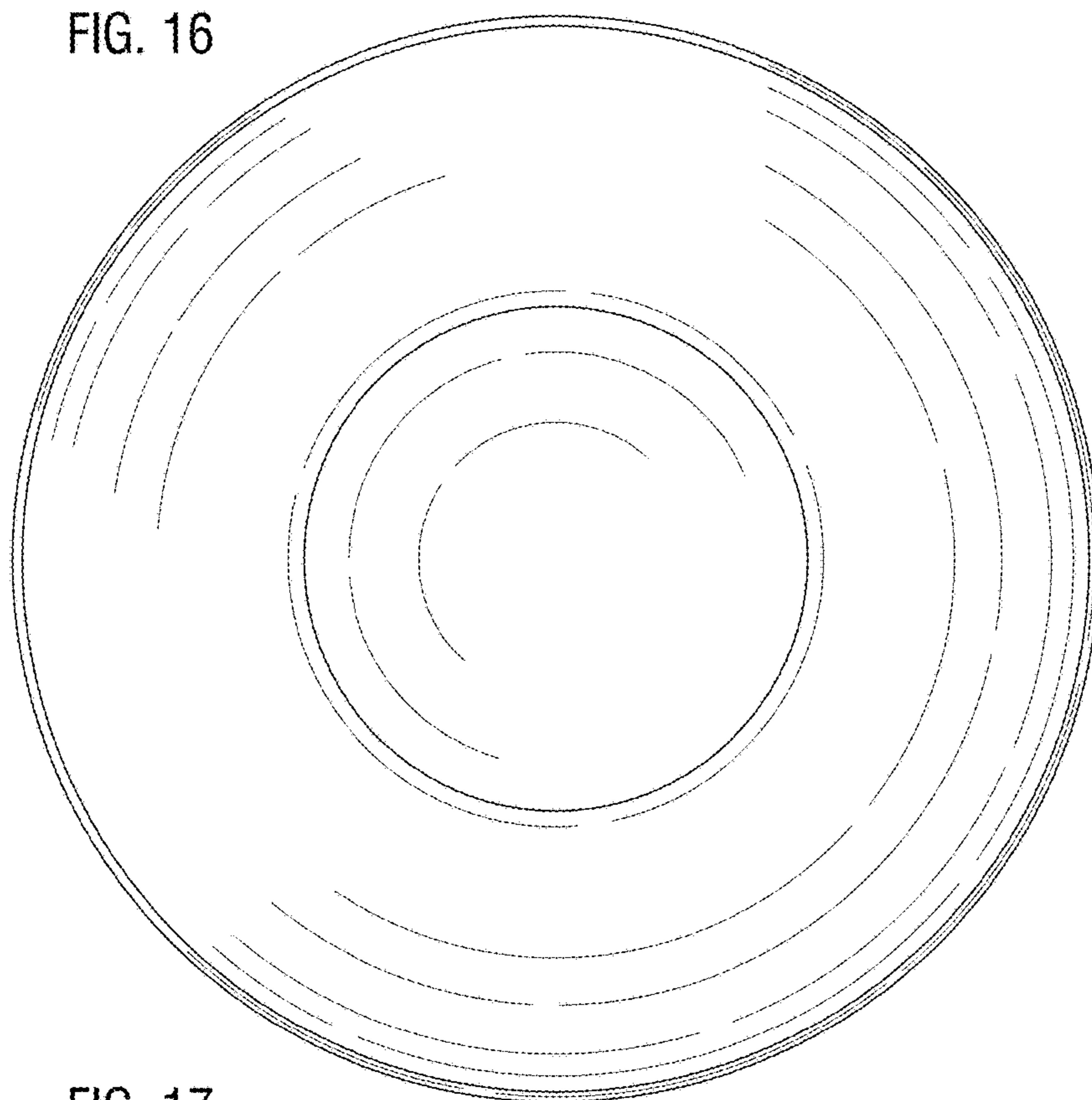


FIG. 17

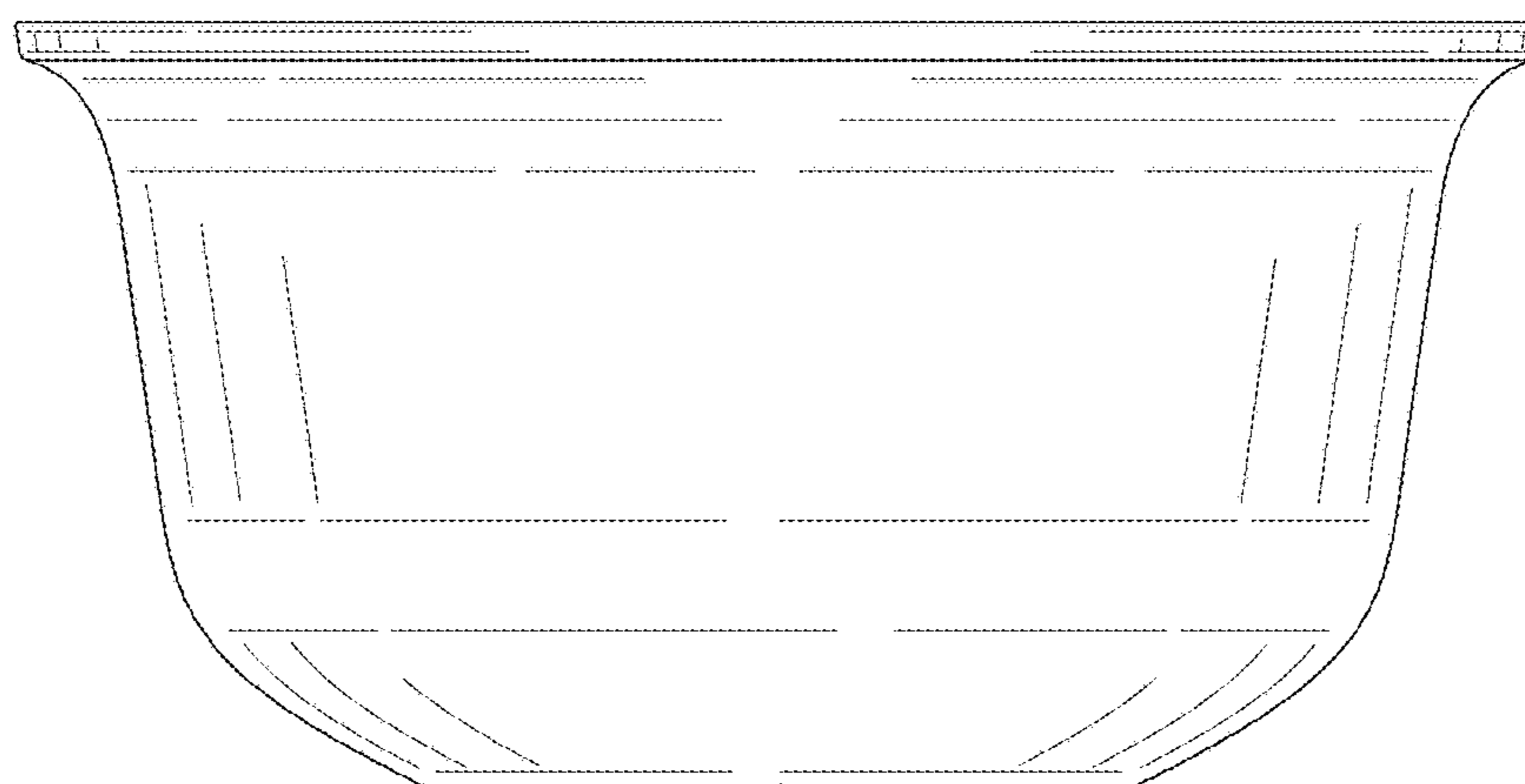


FIG. 18

